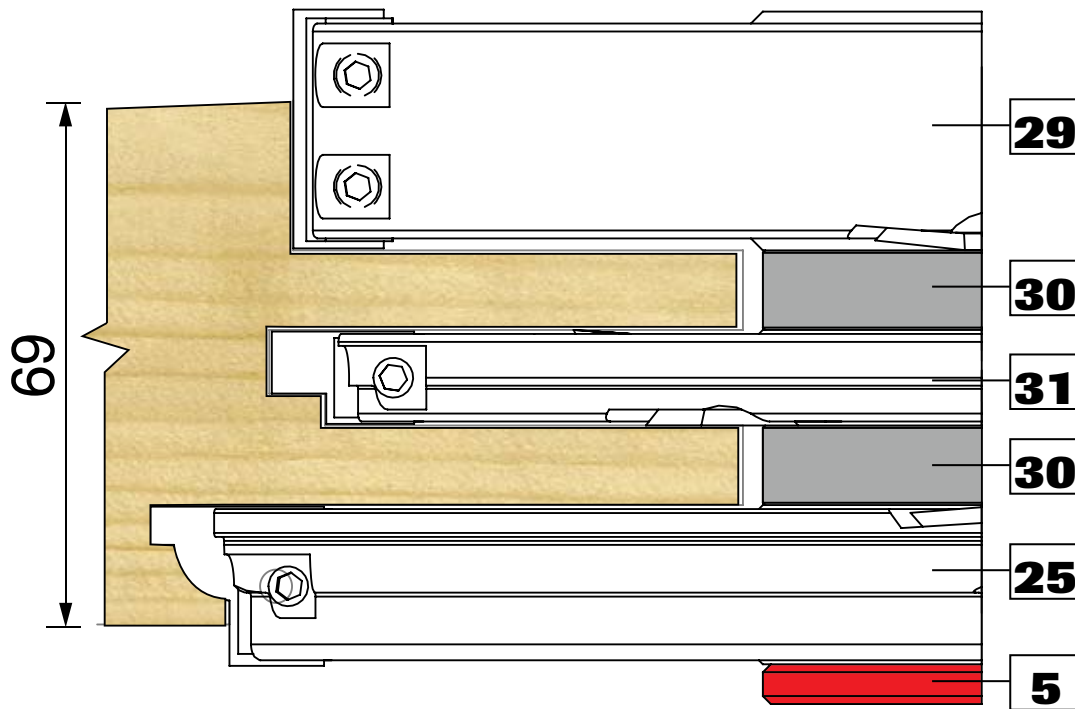


# MODULAR WINDOW SYSTEM



## HIGH PERFORMANCE *Ovolo*

### Step 1 - Tenon Tools for Outer Frame



Tools/Spacers			Replacement Knives			
Item No	Product Ref. 30mm (1 1/4")	Description	Size	Product Ref	Size	Product Ref
29	IT/71054291(7)	Tenon Head	30x12x1.5	IT/3101230/10	14x14x2.0	IT/3008503/10
30	IT/1920531(7)	Spacer	N/A			
31	IT/71054311(7)	Groover	19x11x6.2	IT/3108577/10	14x14x2.0	IT/3008503/10
25	IT/71054251(7)	Ovolo Head	20x23x2.0	IT/3108567	14x14x2.0	IT/3008503/10
5	IT/1920061(7)	Spacer	N/A			

**Recommended Speed  
3,500 - 4,500 rpm**

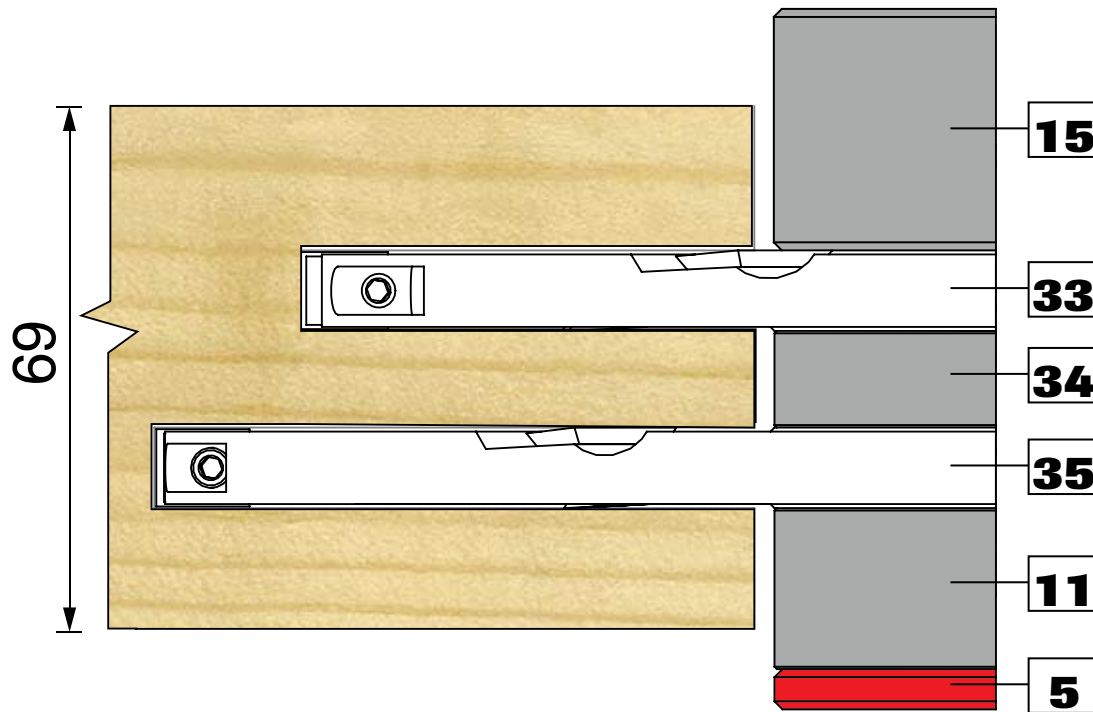
MANU/MWS/HP v2

# MODULAR WINDOW SYSTEM



## HIGH PERFORMANCE *Ovolo*

### Step 2 - Slot Tenons for Outer Frame



Tools/Spacers			Replacement Knives			
Item No	Product Ref. 30mm (1 1/4")	Description	Size	Product Ref	Size	Product Ref
15	IT/1920561(7)	Spacer	N/A			
33	IT/71054331(7)	Tenon Head	9.6x12x1.5	IT/3007507/10	14x14x2.0	IT/3008503/10
34	IT/1920471(7)	Spacer	N/A			
35	IT/71054351(7)	Tenon Head	9.6x12x1.5	IT/3007507/10	14x14x2.0	IT/3008503/10
11	IT/1920551(7)	Spacer	N/A			
5	IT/1920061(7)	Spacer	N/A			

**Recommended Speed  
3,500 - 4,500 rpm**

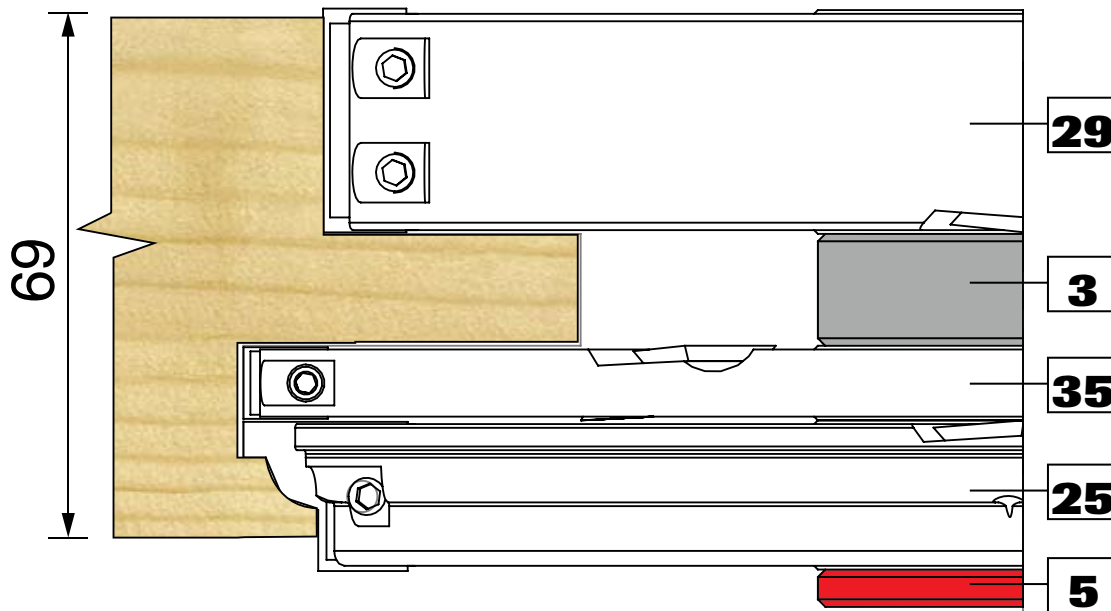
MANU/MWS/HP v2

# MODULAR WINDOW SYSTEM



## HIGH PERFORMANCE *Ovolo*

### Step 3 - Tenon for Outer Frame Transome



Tools/Spacers			Replacement Knives			
Item No	Product Ref. 30mm (1 1/4")	Description	Size	Product Ref	Size	Product Ref
29	IT/71054291(7)	Tenon Head	30x12x1.5	IT/3101230/10	14x14x2.0	IT/3008503/10
3	IT/1920541(7)	Spacer	N/A			
35	IT/71054351(7)	Tenon Head	9.6x12x1.5	IT/3007507/10	14x14x2.0	IT/3008503/10
25	IT/71054251(7)	Ovolo Head	20x23x2.0	IT/3108567	14x14x2.0	IT/3008503/10
5	IT/1920061(7)	Spacer	N/A			

**Recommended Speed  
3,500 - 4,500 rpm**

MANU/MWS/HP v2

**trend**<sup>®</sup>  
industrial tooling

**m**  
WINDOW  
SYSTEM

General Enquiries \_\_\_\_\_ 0800 487363  
Email \_\_\_\_\_ enquiry@trendm.co.uk  
Web \_\_\_\_\_ www.trend-uk.com

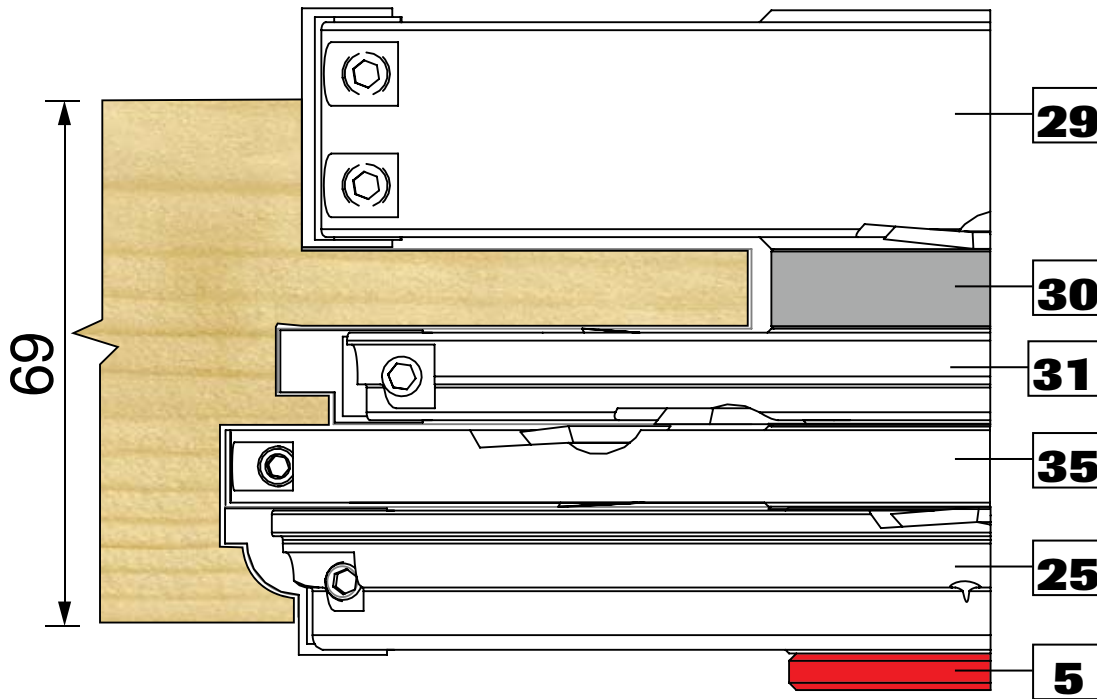
Trend Machinery & Cutting Tools Ltd  
Odhams Trading Estate St. Albans Road  
Watford WD24 7TR England.

# MODULAR WINDOW SYSTEM



## HIGH PERFORMANCE *Ovolo*

### Step 3a - For Scribing Mullions & Transomes with Mechanical Fixings Only **Optional**



Tools/Spacers			Replacement Knives			
Item No	Product Ref. 30mm (1 1/4")	Description	Size	Product Ref	Size	Product Ref
29	IT/71054291(7)	Tenon Head	30x12x1.5	IT/3101230/10	14x14x2.0	IT/3008503/10
30	IT/1920541(7)	Spacer	N/A			
31	IT/71054311(7)	Groover	19x11x6.2	IT/3108577/10	14x14x2.0	IT/3008503/10
35	IT/71054351(7)	Tenon Head	9.6x12x1.5	IT/3007507/10	14x14x2.0	IT/3008503/10
25	IT/71054251(7)	Ovolo Head	20x23x2.0	IT/3108567	14x14x2.0	IT/3008503/10
5	IT/1920061(7)	Spacer	N/A			

**Recommended Speed  
3,500 - 4,500 rpm**

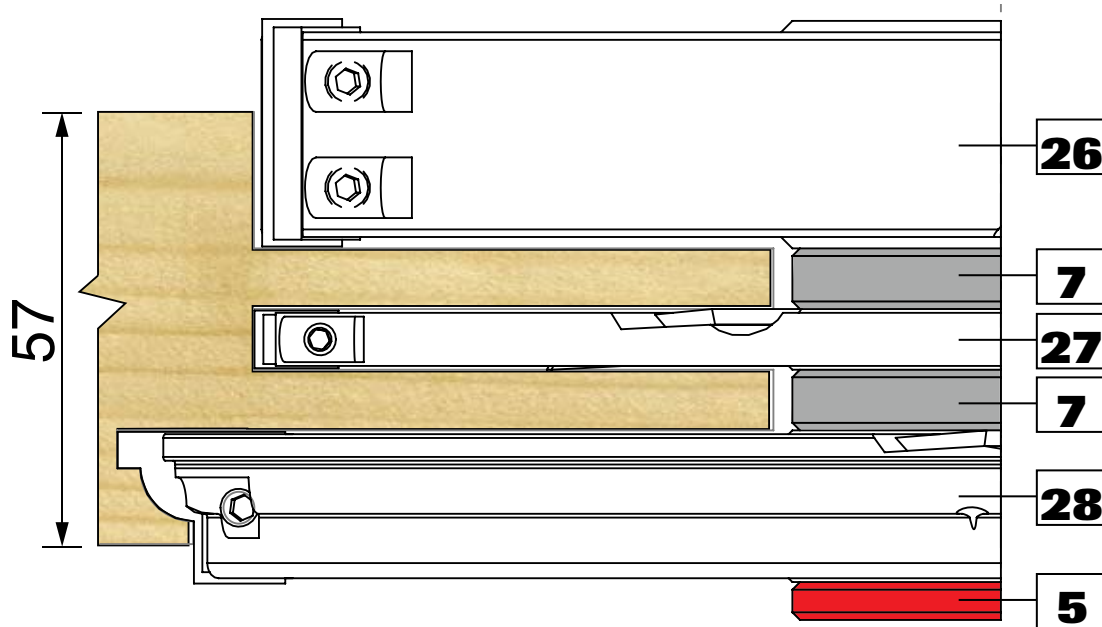
MANUMWS/HP v2

# MODULAR WINDOW SYSTEM



## HIGH PERFORMANCE *Ovolo*

### Step 4 - Tenon for Sash



Tools/Spacers			Replacement Knives			
Item No	Product Ref. 30mm (1 1/4")	Description	Size	Product Ref	Size	Product Ref
26	IT/71054261(7)	Tenon Head	30x12x1.5	IT/3101230/10	14x14x2.0	IT/3008503/10
7	IT/1927801(7)	Spacer	N/A			
27	IT/71054271(7)	Tenon Head	7.5x12x1.5	IT/3107512/10	14x14x2.0	IT/3008503/10
28	IT/71054281(7)	Ovolo Head	20x23x2.0	IT/3108567	14x14x2.0	IT/3008503/10
5	IT/1920061(7)	Spacer	N/A			

**Recommended Speed  
3,500 - 4,500 rpm**

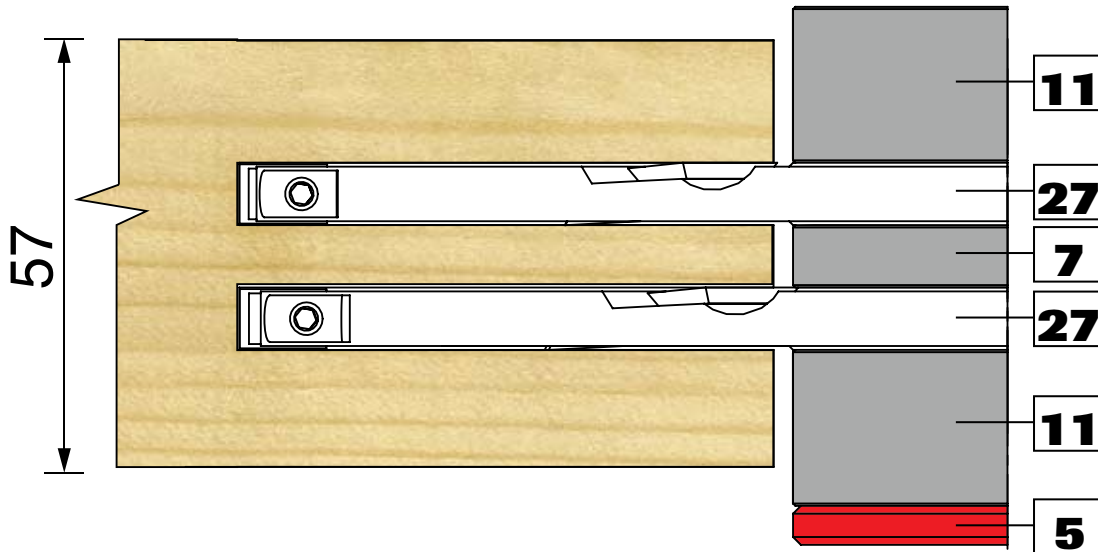
MANU/MWS/HP v2

# MODULAR WINDOW SYSTEM



## HIGH PERFORMANCE *Ovolo*

### Step 5 - Slot Tenon for Sash



Tools/Spacers			Replacement Knives			
Item No	Product Ref. 30mm (1 1/4")	Description	Size	Product Ref	Size	Product Ref
11	IT/1920551(7)	Spacer	N/A			
27	IT/71054271(7)	Tenon Head	7.5x12x1.5	IT/3107512/10	14x14x2.0	IT/3008503
7	IT/1927801	Spacer	N/A			
5	IT/1920061(7)	Spacer	N/A			

**Recommended Speed  
3,500 - 4,500 rpm**

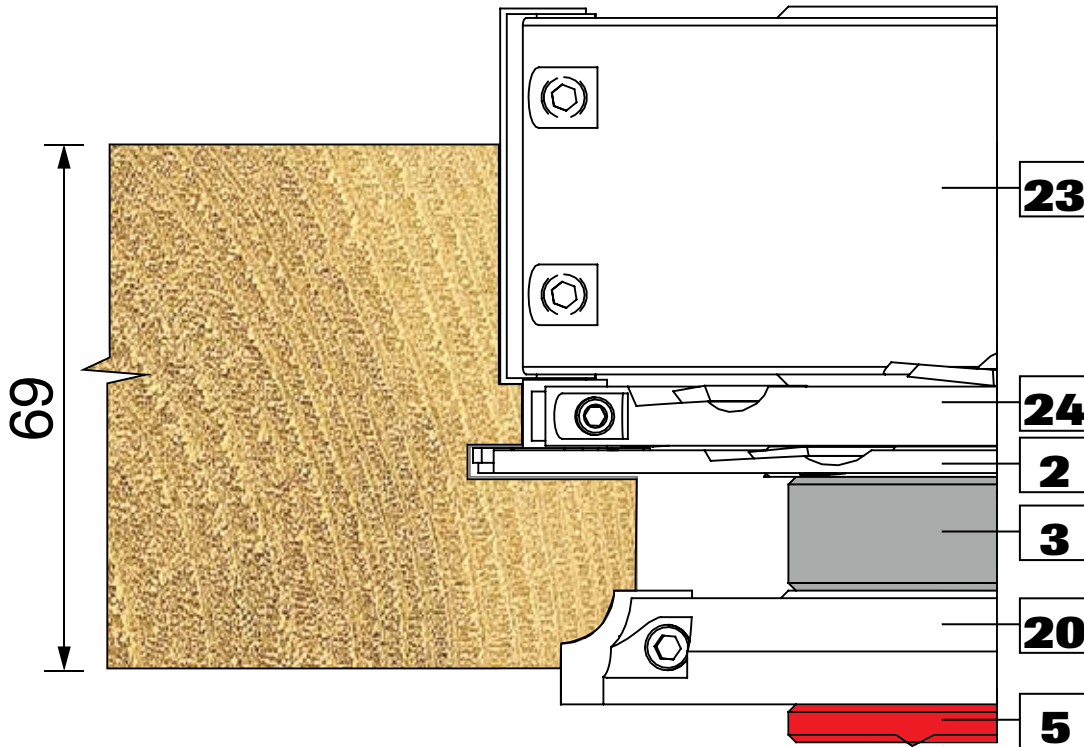
MANU/MWS/HP v2

# MODULAR WINDOW SYSTEM



## HIGH PERFORMANCE *Ovolo*

### Step 6 - Outer Frame Profile



Tools/Spacers			Replacement Knives			
Item No	Product Ref. 30mm (1 1/4")	Description	Size	Product Ref	Size	Product Ref
23	IT/71054231(7)	Rebate Head	50x12x1.5	IT/3101250/10	14x14x2.0	IT/3008503/10
24	IT/71054241(7)	Planer Head	7.5x12x1.5	IT/3107512/10	14x14x2.0	IT/3008503/10
2	IT/7105421(7)	Groover	18x18x2.0	IT/3008501/10	14x14x2.0	IT/3008503/10
3	IT/1920541(7)	Spacer	N/A			
20	IT/71054201(7)	Ovolo Head	20x20x2.0	IT/3108627	-	-
5	IT/1920061(7)	Spacer	N/A			

**Recommended Speed  
5,500 - 6,500 rpm**

MANU/MWS/HP v2

**trend**<sup>®</sup>  
industrial tooling

**m**  
WINDOW  
SYSTEM

General Enquiries \_\_\_\_\_ 0800 487363  
Email \_\_\_\_\_ enquiry@trendm.co.uk  
Web \_\_\_\_\_ www.trend-uk.com

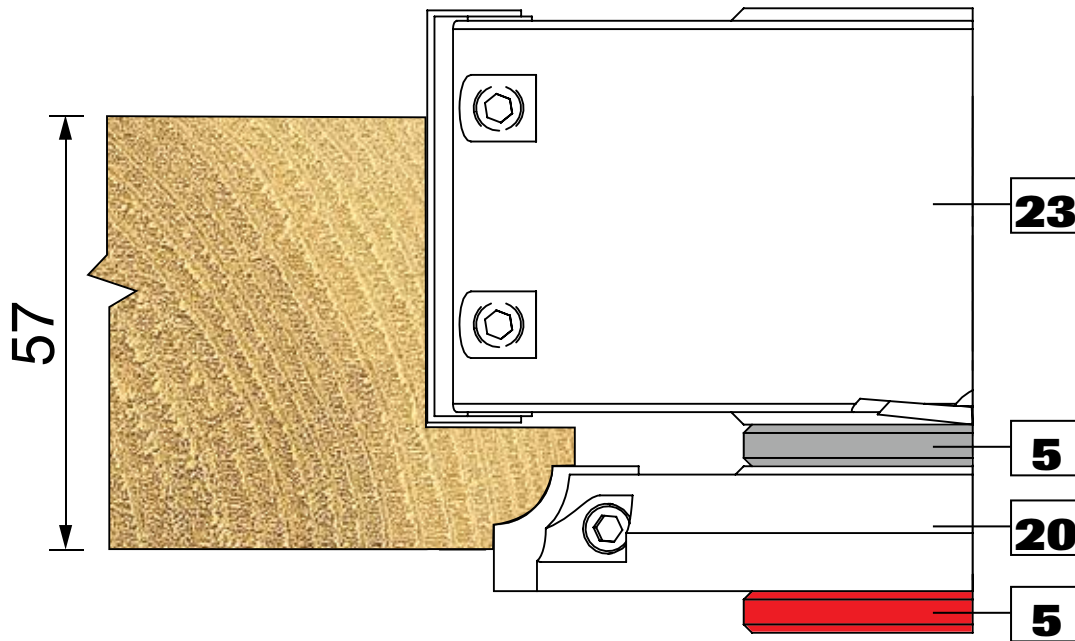
Trend Machinery & Cutting Tools Ltd  
Odhams Trading Estate St. Albans Road  
Watford WD24 7TR England.

# MODULAR WINDOW SYSTEM



## HIGH PERFORMANCE *Ovolo*

### Step 7 - Inner Sash Profile



Tools/Spacers			Replacement Knives			
Item No	Product Ref. 30mm (1 1/4")	Description	Size	Product Ref	Size	Product Ref
23	IT/71054231(7)	Rebate Head	50x12x1.5	IT/3101250/10	14x14x2.0	IT/3008503/10
5	IT/1920061(7)	Spacer	N/A			
20	IT/71054201(7)	Ovolo Head	20x20x2.0	IT/3108627	-	-

**Recommended Speed  
5,500 - 6,500 rpm**

MANU/MWS/HP v2

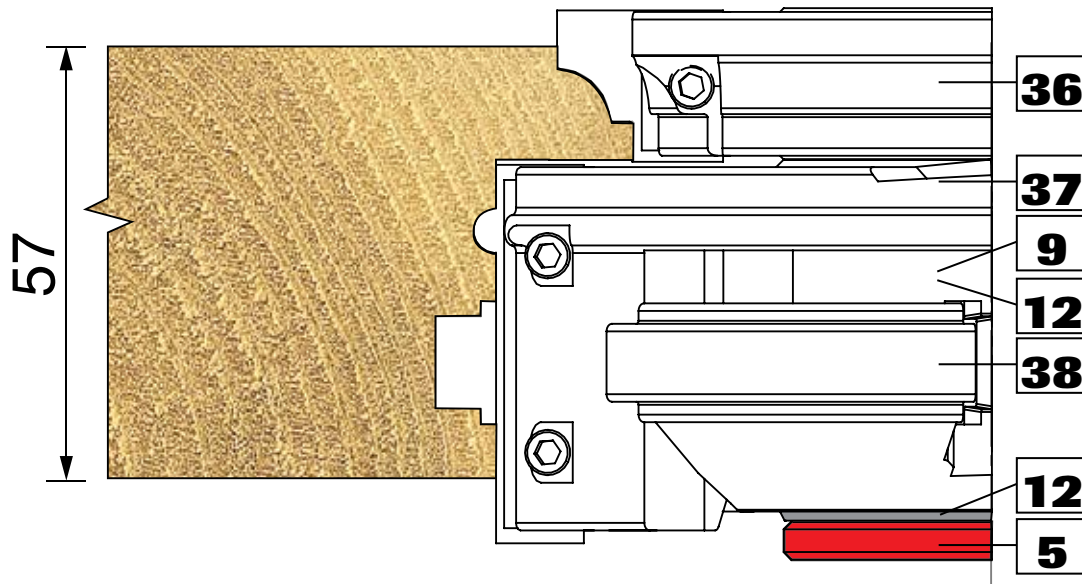


# MODULAR WINDOW SYSTEM



## HIGH PERFORMANCE *Ovolo*

### Step 8 - Outer Sash Profile



Tools/Spacers			Replacement Knives			
Item No	Product Ref. 30mm (1 1/4")	Description	Size	Product Ref	Size	Product Ref
36	IT/71054361	Ovolo Head	20x23x2.0	IT/3108599	-	-
37	IT/71054371(7)	Rebate Head	50x12x1.5	IT/3108600	14x14x2.0	IT/3008503/10
9	IT/1927101(7)	Spacer	N/A			
12	IT/1927201(7)	Spacer	N/A			
38	IT/71054381	Euro Groove	19x16.3x2.0	IT/3108601	-	-
5	IT/1920061(7)	Spacer	N/A			

**Recommended Speed  
5,500 - 6,500 rpm**



**trend**<sup>®</sup>  
Industrial tooling

**m**  
WINDOW  
SYSTEM

General Enquiries \_\_\_\_\_ 0800 487363  
Email \_\_\_\_\_ enquiry@trendm.co.uk  
Web \_\_\_\_\_ www.trend-uk.com

Trend Machinery & Cutting Tools Ltd  
Odhams Trading Estate St. Albans Road  
Watford WD24 7TR England.