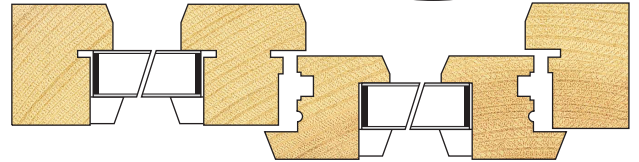
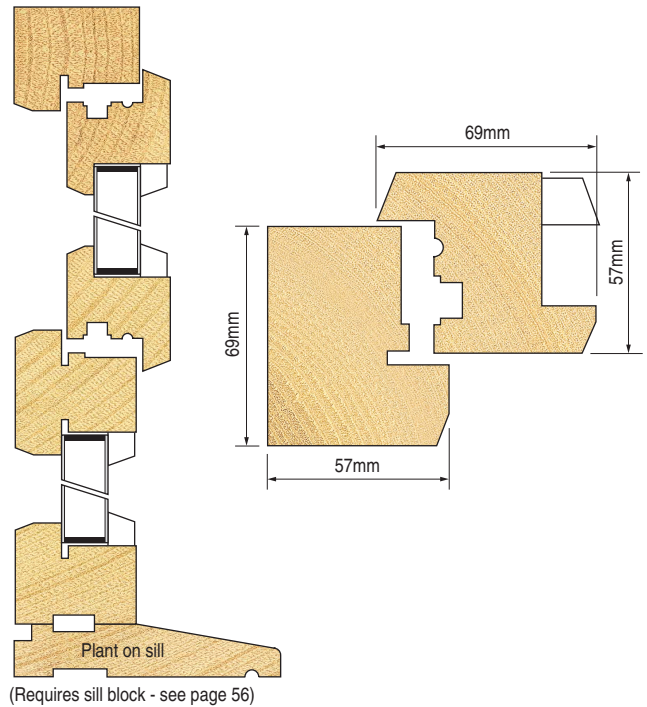




Top View AA



Side View BB



Timber high performance 20° splay style windows with the following features:

- Outer frame section 69mm x 57mm. Sash section 69mm x 57mm.
- Standard 20 degree splayed profile on outer frame and sash.
- Euro groove for high security espagnolette locking system.
- All outer frame and sash joints are combed.
- Will also produce single tenon for mullion and transom joints (mortise hole required).
- An optional mechanical mullion and transom joint can be produced.
- Locating check for top-hung or side-hung friction stays and locked night vent position.
- Can also accommodate egress friction hinges allowing windows to conform to building regulations.
- 4mm groove width in outer frame to accept standard weather seals.
- Produces 18mm rebate depths in outer frame.
- Produces 18mm x 42mm rebates in the sash.
- Separate routing jig available for producing a mortise for the espagnolette lock body.
- Routing jig also available for producing the slot in the sash for the trickle vent.



This system is supplied with a wallchart and individual specification sheets per step. The wallchart can be mounted next to the spindle moulder for quick selection of tools.



Description	Product Ref
Wallchart	WALL/MWS/HP20
Specification Manual	MANU/MWS/HP20



Beading The profile tools in the system can be used for creating the beads, but require changes to the spindle machine settings.

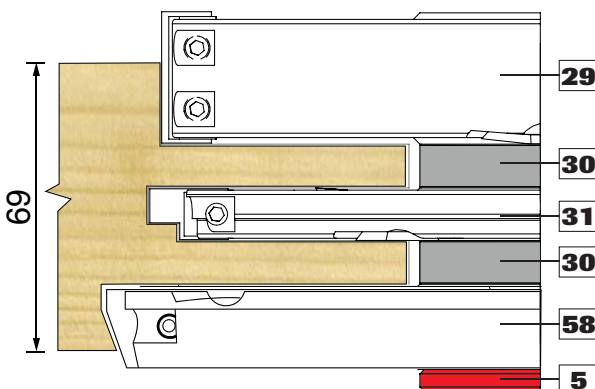


Shared Common Tools When purchasing in conjunction with other styles, please see pages 44 & 45.

Complete set of 31 tools with 30mm bore (or 1-1/4") including spacers and setting gauge.

Product Ref	Bore
IT/MWS/SET061	30mm
IT/MWS/SET067	1-1/4"

Step 1 Tenon Tools for Outer Frame Jambs



Tools/Spacers			Replacement Knives			
Item No	Product Ref. 30mm (1-1/4")	Description	Size	Product Ref.	Size	Product Ref.
29	IT/71054291(7)	Tenon Head	30x12x1.5	IT/3101230/10	14x14x2.0	IT/3008503/10
30	IT/1920531(7)	Spacer	N/A			
31	IT/71054311(7)	Groover	19x11x6.2	IT/3108577	14x14x2.0	IT/3008503/10
58	IT/71054581(7)	Splayed Head	20x12x1.5	IT/3208001	14x14x2.0	IT/3008503/10
5	IT/1920061(7)	Spacer	N/A			

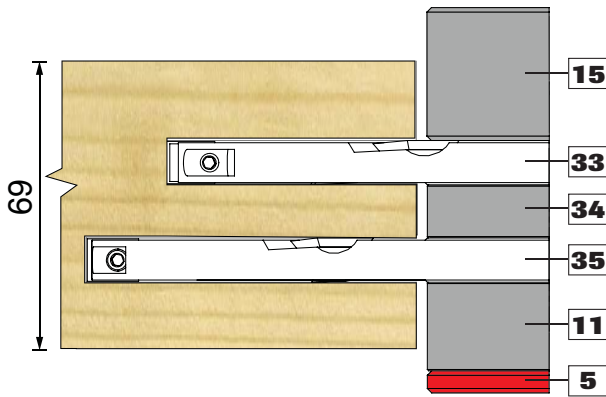
Alternative profile styles, see pages 41 - 43.

Replacement knives with a /10 are sold in packs of 10.



Recommended Speed
3,500 - 4,500 RPM

Step 2 Slot Tenons for Outer Frame Head & Sill

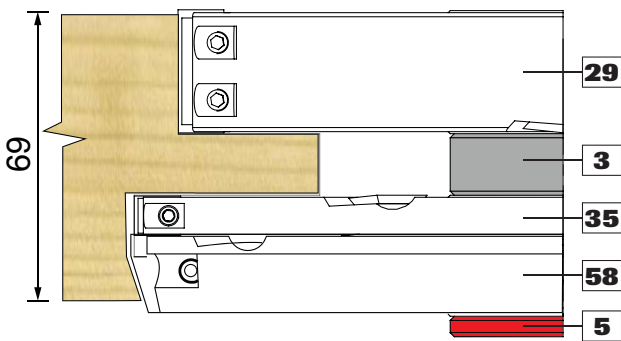


Tools/Spacers			Replacement Knives			
Item No	Product Ref. 30mm (1-1/4")	Description	Size	Product Ref.	Size	Product Ref.
15	IT/1920561(7)	Spacer	N/A			
33	IT/71054331(7)	Tenon Head	9.6x12x1.5	IT/3007507/10	14x14x2.0	IT/3008503/10
34	IT/1920471(7)	Spacer	N/A			
35	IT/71054351(7)	Tenon Head	9.6x12x1.5	IT/3007507/10	14x14x2.0	IT/3008503/10
11	IT/1920551(7)	Spacer	N/A			
5	IT/1920061(7)	Spacer	N/A			



Recommended Speed
3,500 - 4,500 RPM

Step 3 Tenon for Outer Frame Mullions & Transom



Tools/Spacers			Replacement Knives			
Item No	Product Ref. 30mm (1-1/4")	Description	Size	Product Ref.	Size	Product Ref.
29	IT/71054291(7)	Tenon Head	30x12x1.5	IT/3101230/10	14x14x2.0	IT/3008503/10
3	IT/1920541(7)	Spacer	N/A			
35	IT/71054351(7)	Tenon Head	9.6x12x1.5	IT/3007507/10	14x14x2.0	IT/3008503/10
58	IT/71054581(7)	Splayed Head	20x12x1.5	IT/3208001	14x14x2.0	IT/3008503/10
5	IT/1920061(7)	Spacer	N/A			

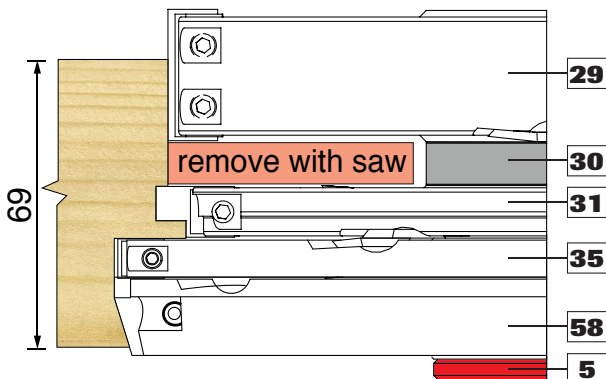
Alternative profile styles, see pages 41 - 43.



Recommended Speed
3,500 - 4,500 RPM

ALTERNATIVELY

Step 3a Scribe & Tenon for Mullions & Transoms (For Mechanical Fixings only)



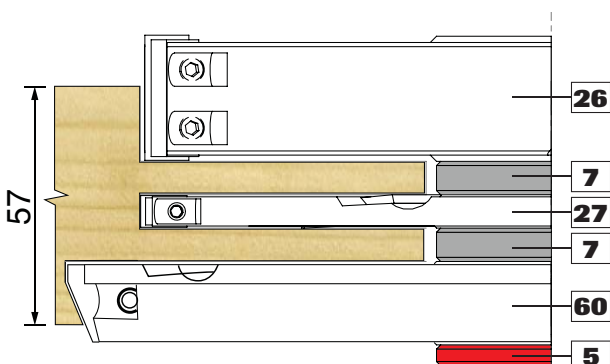
Tools/Spacers			Replacement Knives			
Item No	Product Ref. 30mm (1-1/4")	Description	Size	Product Ref.	Size	Product Ref.
29	IT/71054291(7)	Tenon Head	30x12x1.5	IT/3101230/10	14x14x2.0	IT/3008503/10
30	IT/1920531(7)	Spacer	N/A			
31	IT/71054311(7)	Groover	19x11x6.2	IT/3108577	14x14x2.0	IT/3008503/10
35	IT/71054351(7)	Tenon Head	9.6x12x1.5	IT/3007507/10	14x14x2.0	IT/3008503/10
58	IT/71054581(7)	Splayed Head	20x12x1.5	IT/3208001	14x14x2.0	IT/3008503/10
5	IT/1920061(7)	Spacer	N/A			

Alternative profile styles, see pages 41 - 43.



Recommended Speed
3,500 - 4,500 RPM

Step 4 Tenon for Sash Rails



Tools/Spacers			Replacement Knives			
Item No	Product Ref. 30mm (1-1/4")	Description	Size	Product Ref.	Size	Product Ref.
26	IT/71054261(7)	Tenon Head	30x12x1.5	IT/3101230/10	14x14x2.0	IT/3008503/10
7	IT/1927801(7)	Spacer	N/A			
27	IT/71054271(7)	Tenon Head	7.5x12x1.5	IT/3107512/10	14x14x2.0	IT/3008503/10
60	IT/71054601(7)	Splayed Head	20x12x1.5	IT/3208001	14x14x2.0	IT/3008503/10
5	IT/1920061(7)	Spacer	N/A			

Alternative profile styles, see pages 41 - 43.

Replacement knives with a /10 are sold in packs of 10.

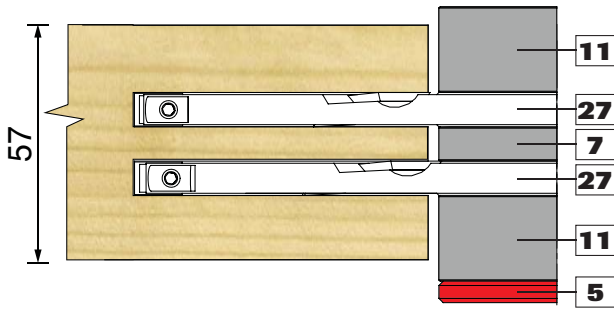


Recommended Speed
3,500 - 4,500 RPM

Step 5 to 8 >



Step 5 Slots for Sash Stiles

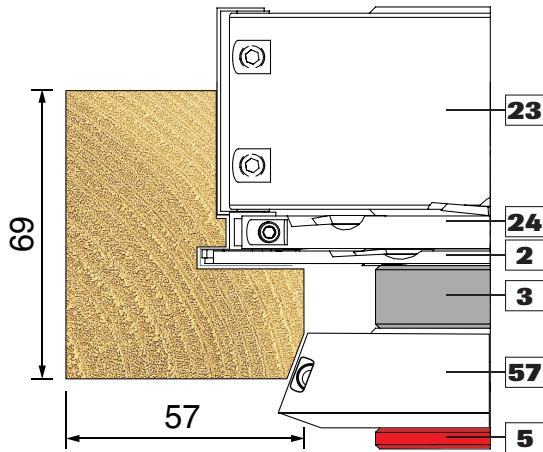


Tools/Spacers			Replacement Knives			
Item No	Product Ref. 30mm (1-1/4")	Description	Size	Product Ref.	Size	Product Ref.
11	IT/1920551(7)	Spacer	N/A			
27	IT/71054271(7)	Tenon Head	7.5x12x1.5	IT/3107512/10	14x14x2.0	IT/3008503/10
7	IT/1927801(7)	Spacer	N/A			
5	IT/1920061(7)	Spacer	N/A			



Recommended Speed
3,500 - 4,500 RPM

Step 6 Outer Frame Profile



Tools/Spacers			Replacement Knives			
Item No	Product Ref. 30mm (1-1/4")	Description	Size	Product Ref.	Size	Product Ref.
23	IT/71054231(7)	Rebate Head	50x12x1.5	IT/3101250/10	14x14x2.0	IT/3008503/10
24	IT/71054241(7)	Planer Head	9.0x12x1.5	IT/3108474/10	-	-
2	IT/7105421(7)	Groover	18x18x2.0	IT/3008501/10	14x14x2.0	IT/3008503/10
3	IT/1920541(7)	Spacer	N/A			
57	IT/71054571(7)	Splayed Head	20x12x1.5	IT/3101220/10	-	-
5	IT/1920061(7)	Spacer	N/A			

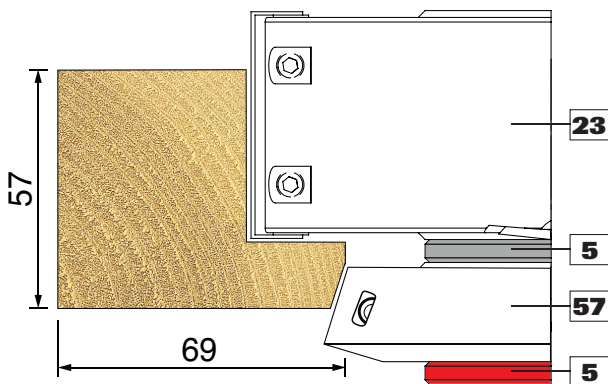


Alternative profile styles, see pages 41 - 43.



Recommended Speed
5,500 - 6,500 RPM

Step 7 Inner Sash Profile



Tools/Spacers			Replacement Knives			
Item No	Product Ref. 30mm (1-1/4")	Description	Size	Product Ref.	Size	Product Ref.
23	IT/71054231(7)	Rebate Head	50x12x1.5	IT/3101250/10	14x14x2.0	IT/3008503/10
5	IT/1920061(7)	Spacer	N/A			
57	IT/71054571(7)	Splayed Head	20x12x1.5	IT/3101220/10	-	-

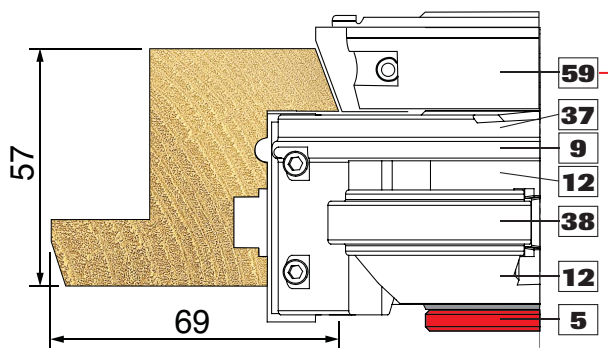


Alternative profile styles, see pages 41 - 43.



Recommended Speed
5,500 - 6,500 RPM

Step 8 Outer Sash Profile



Tools/Spacers			Replacement Knives			
Item No	Product Ref. 30mm (1-1/4")	Description	Size	Product Ref.	Size	Product Ref.
59	IT/71054591(7)	Splayed Head	20x12x1.5	IT/3101220/10	-	-
37	IT/71054371(7)	Rebate Head	50x12x1.5	IT/3108600	14x14x2.0	IT/3008503/10
9	IT/1927101(7)	Spacer	N/A			
12	IT/1927201(7)	Spacer	N/A			
38	IT/71054381	Euro Groove	19x16.3x2.0	IT/3108601	-	-
5	IT/1920061(7)	Spacer	N/A			



Alternative profile styles, see pages 41 - 43.

Replacement knives with a /10 are sold in packs of 10.



Recommended Speed
5,500 - 6,500 RPM