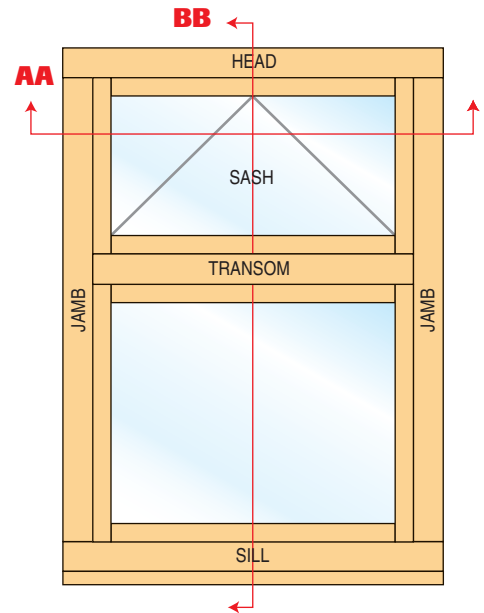
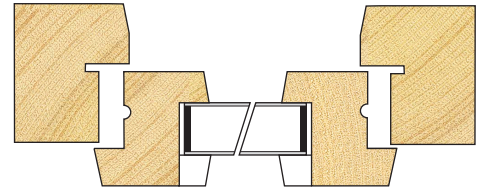
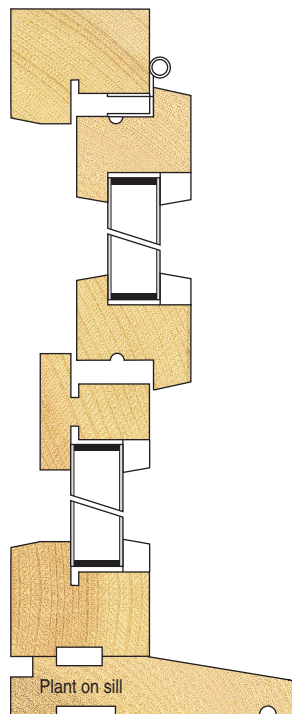




Top View AA

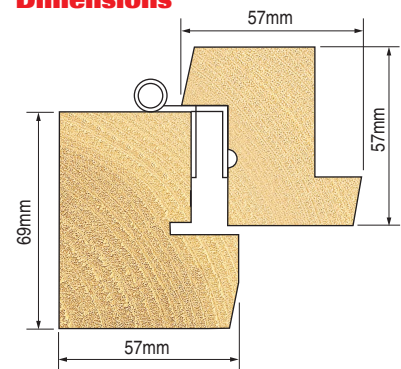


Side View BB



(Requires sill block to be purchased, see page 56)

Dimensions



Timber EJMA 9° Splay style windows with the following features:

- 69mm x 57mm outer frame section.
- 57mm x 57mm sash section.
- Traditional EJMA (English Joinery Manufacturers Association) 9 degree splay profile on outer frame and sash.
- All outer frame and sash joints are combed.
- Will also produce single tenon for mullion and transom joints (mortise hole required).
- Uses standard cranked hinges, fasteners and stays.
- 4mm groove width in outer frame to accept standard weather seals. Alternative 3mm groove width can be produced - see page 55.
- Produces 15mm rebate depths in outer frame.
- Produces 15mm x 42mm rebates in the sash.
- Routing jig also available for producing the slot in the sash for the trickle vent. See page 57.



This system is supplied with a wallchart and individual specification sheets per step. The wallchart can be mounted next to the spindle moulder for quick selection of tools.



Description

Wallchart
Specification Manual

Product Ref

WALL/MWS/EJMA
MANU/MWS/EJMA



Beading The profile tools in the system can be used for creating the beads, but require changes to the spindle machine settings.



Shared Common Tools When purchasing in conjunction with other styles please see pages 44 & 45.

Complete set of 19 tools with 30mm bore (or 1-1/4") including spacers and setting gauge.

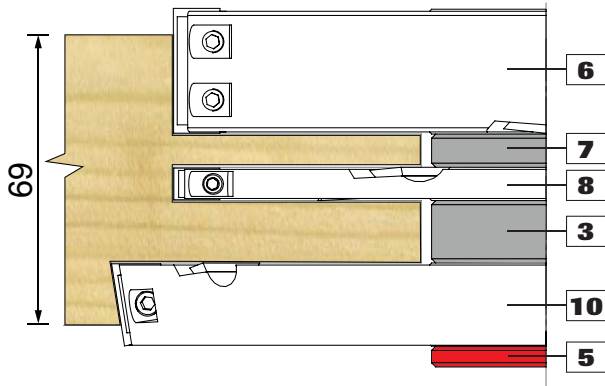
Product Ref

IT/MWS/SET021
IT/MWS/SET027

Bore

30mm
1-1/4"

Step 1 Tenon Tools for Outer Frame

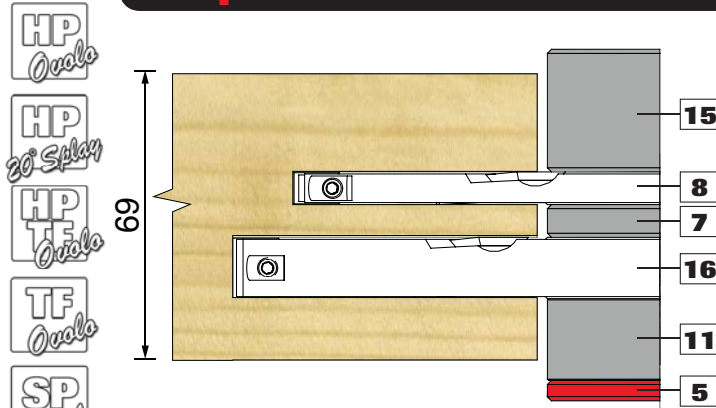


Tools/Spacers			Replacement Knives			
Item No	Product Ref. 30mm (1-1/4")	Description	Size	Product Ref.	Size	Product Ref.
6	IT/7105461(7)	Tenon Head	30x12x1.5	IT/3101230/10	14x14x2.0	IT/3008503/10
7	IT/1927801(7)	Spacer	N/A			
8	IT/7105481(7)	Tenon Head	7.5x12x1.5	IT/3107512/10	14x14x2.0	IT/3008503/10
3	IT/1920541(7)	Spacer	N/A			
10	IT/71054101(7)	Bevel Head	20x12x1.5	IT/3108624	14x14x2.0	IT/3008503/10
5	IT/1920061(7)	Spacer	N/A			

Replacement knives with a /10 are sold in packs of 10.



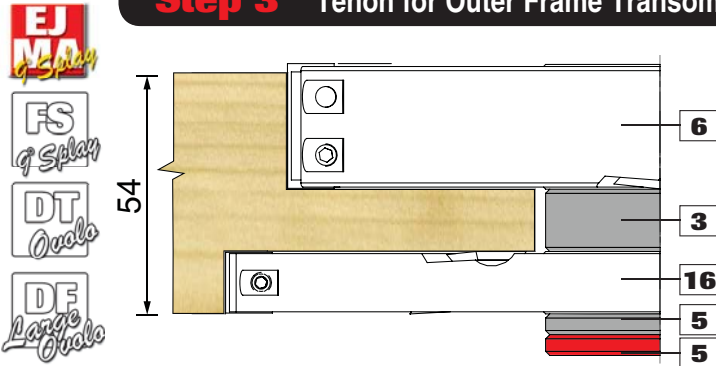
Step 2 Slots for Outer Frame



Tools/Spacers			Replacement Knives			
Item No	Product Ref. 30mm (1-1/4")	Description	Size	Product Ref.	Size	Product Ref.
15	IT/1920561(7)	Spacer	N/A			
8	IT/7105481(7)	Tenon Head	7.5x12x1.5	IT/3107512/10	14x14x2.0	IT/3008503/10
7	IT/1927801(7)	Spacer	N/A			
16	IT/71054161(7)	Tenon Head	14.6x12x1.5	IT/3108702/10	14x14x2.0	IT/3008503/10
11	IT/1920551(7)	Spacer	N/A			
5	IT/1920061(7)	Spacer	N/A			



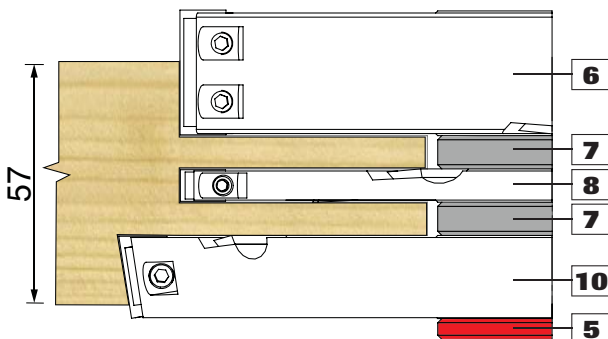
Step 3 Tenon for Outer Frame Transom & Mullions



Tools/Spacers			Replacement Knives			
Item No	Product Ref. 30mm (1-1/4")	Description	Size	Product Ref.	Size	Product Ref.
6	IT/7105461(7)	Tenon Head	30x12x1.5	IT/3101230/10	14x14x2.0	IT/3008503/10
3	IT/1920541(7)	Spacer	N/A			
16	IT/71054161(7)	Tenon Head	14.6x12x1.5	IT/3108702/10	14x14x2.0	IT/3008503/10
5	IT/1920061(7)	Spacer	N/A			



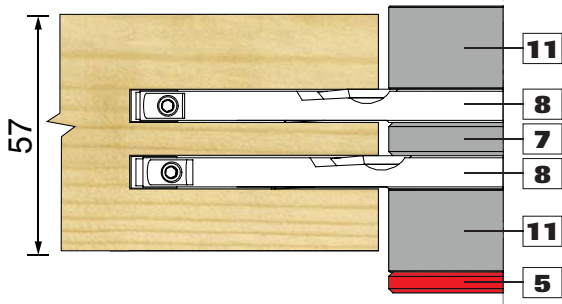
Step 4 Tenon for Sash Rails



Tools/Spacers			Replacement Knives			
Item No	Product Ref. 30mm (1-1/4")	Description	Size	Product Ref.	Size	Product Ref.
6	IT/7105461(7)	Tenon Head	30x12x1.5	IT/3101230/10	14x14x2.0	IT/3008503/10
7	IT/1927801(7)	Spacer	N/A			
8	IT/7105481(7)	Tenon Head	7.5x12x1.5	IT/3107512/10	14x14x2.0	IT/3008503/10
10	IT/71054101(7)	Bevel Head	20x12x1.5	IT/3108624	14x14x2.0	IT/3008503/10
5	IT/1920061(7)	Spacer	N/A			



Step 5 Slots for Sash Stiles



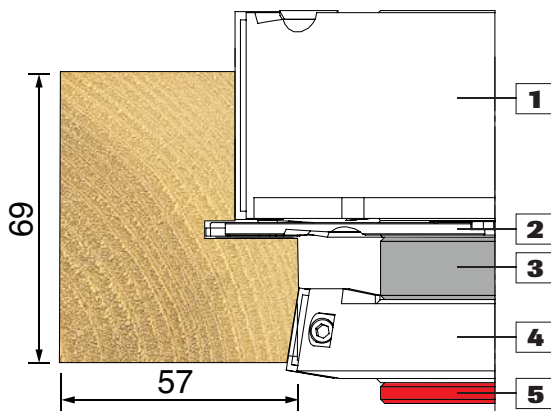
Tools/Spacers			Replacement Knives			
Item No	Product Ref. 30mm (1-1/4")	Description	Size	Product Ref.	Size	Product Ref.
11	IT/1920551(7)	Spacer	N/A			
8	IT/7105481(7)	Tenon Head	7.5x12x1.5	IT/3107512/10	14x14x2.0	IT/3008503/10
7	IT/1927801(7)	Spacer	N/A			
5	IT/1920061(7)	Spacer	N/A			

Replacement knives with a /10 are sold in packs of 10.



Recommended Speed
3,500 - 4,500 RPM

Step 6 Outer Frame Profile

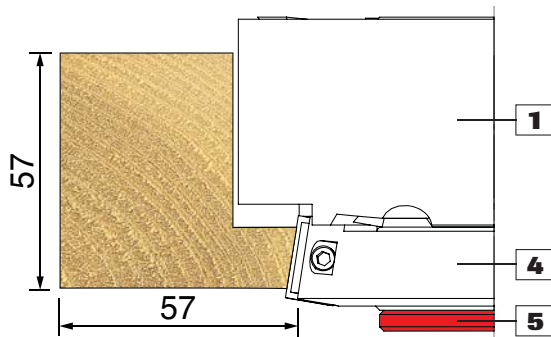


Tools/Spacers			Replacement Knives			
Item No	Product Ref. 30mm (1-1/4")	Description	Size	Product Ref.	Size	Product Ref.
1	IT/7105411(7)	Rebate Head	50x12x1.5	IT/3101250/10	14x14x2.0	IT/3008503/10
2	IT/7105421(7)	Groover	18x18x2.0	IT/3008501/10	14x14x2.0	IT/3008503/10
3	IT/1920541(7)	Spacer	N/A			
4	IT/7105441(7)	Bevel Head	20x12x1.5	IT/3101220/10	-	-
5	IT/1920061(7)	Spacer	N/A			



Recommended Speed
5,500 - 6,500 RPM

Step 7 Inner Sash Profile

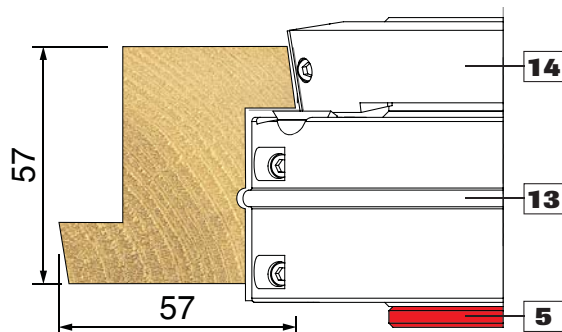


Tools/Spacers			Replacement Knives			
Item No	Product Ref. 30mm (1-1/4")	Description	Size	Product Ref.	Size	Product Ref.
1	IT/7105411(7)	Rebate Head	50x12x1.5	IT/3101250/10	14x14x2.0	IT/3008503/10
4	IT/7105441(7)	Bevel Head	20x12x1.5	IT/3101220/10	-	-
5	IT/1920061(7)	Spacer	N/A			



Recommended Speed
5,500 - 6,500 RPM

Step 8 Outer Sash Profile



Tools/Spacers			Replacement Knives			
Item No	Product Ref. 30mm (1-1/4")	Description	Size	Product Ref.	Size	Product Ref.
14	IT/71054141(7)	Bevel Head	20x12x1.5	IT/3101220/10	-	-
13	IT/71054131(7)	Rebate Head	47x20x2.0	IT/3108626	14x14x2.0	IT/3008503/10
5	IT/1920061(7)	Spacer	N/A			

Replacement knives with a /10 are sold in packs of 10.



Recommended Speed
5,500 - 6,500 RPM