



T32

EN Original Instructions	P.4
DE Übersetzung Der Originalanleitung	P.13
FR Traduction Des Instructions Originales	P.22
NL Vertaling Van De Originele Instructies	P.31
DK Oversættelse Af De Originale Instruktioner	P.40
SE Översättning Av De Ursprungliga Instruktionerna	P.48
NO Oversettelse Av De Originale Instruksjonene	P.56
FI Alkuperäisten Ohjeiden Suomennos	P.64



Fig. 4

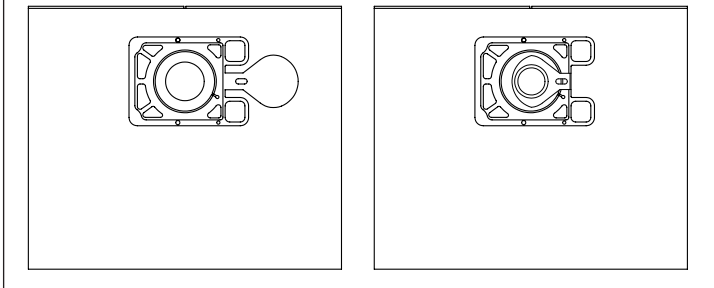


Fig. 5

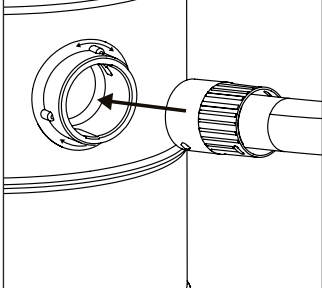


Fig. 5a

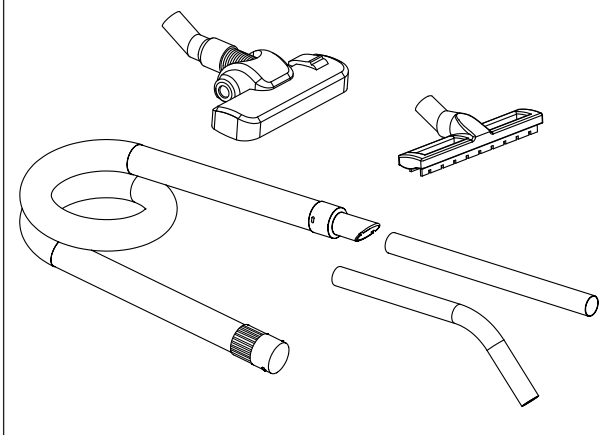


Fig. 6

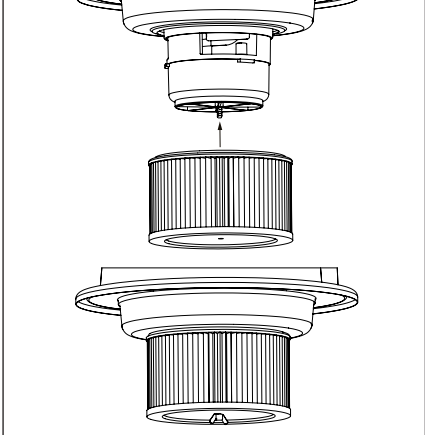


Fig. 7

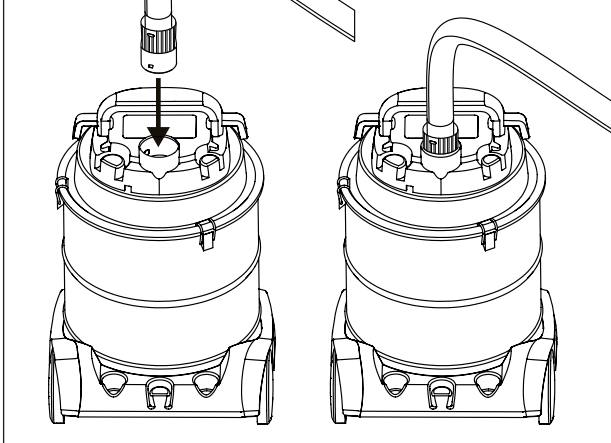
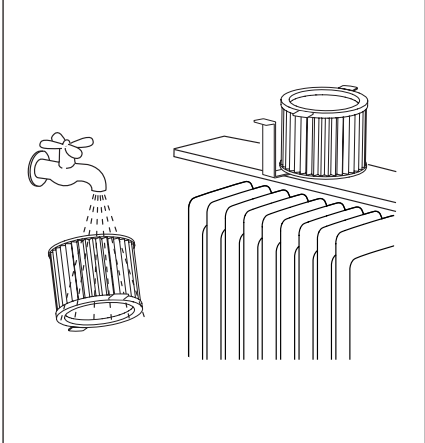


Fig. 8



EN - T32

Thank you for purchasing this Trend product, we hope you enjoy many years of creative and productive use. Please remember to return your guarantee card within 28 days of purchase.



CAUTION:

Read the instructions before using the machine

Definitions: Safety Guidelines

The definitions below describe the level of severity for each signal word. Please read the manual and pay attention to these symbols.

The following symbols are used throughout this manual:



WARNING:

indicates a potential hazardous situation which, if not avoided, **could** result in **death or serious injury**.



CAUTION:

Indicates a potentially hazardous situation which, if not avoided, may result in **minor or moderate** injury.

NOTICE: Indicates a practice **not related to personal injury** which, if not avoided, **may** result in **property damage**.



Denotes risk of electric shock.



Denotes risk of fire.

Additional Symbols Used



Wear Personal Protective Equipment (PPE).
Ear, eye and respiratory protection must be worn.



Denotes risk of personal injury, loss of life or damage to the tool in case of non-observance of the instructions in this manual.



If you require further safety advice, technical information or spare parts, please call Trend Technical Support or visit www.trend-uk.com

EC DECLARATION OF CONFORMITY

MACHINERY DIRECTIVE



VACUUM CLEANER

T32

Trend declares that the product described under Technical Data is in compliance with 2006/42/EC.

This product also complies with Directives 2014/35/EU, 2014/30/EU, 2011/65/EU EU666, 2009/125/EC, 1275/2009/EC and the following harmonised standards EN 60335-1, EN 60335-2-69, EN 62233:2008, EN 55014-1:2017, EN 55014-2:2015, EN 61000-3-2:2014, EN 61000-3-3:2013.

For more information please contact Trend at the following address or refer to back of manual. The undersigned make this declaration on behalf of Trend Machinery & Cutting Tools Ltd.

Technical Director
Neil McMillan

Trend Machinery & Cutting Tools Ltd
Unit 6 Odhams Trading Estate
St Albans Road, Watford
Herts, WD24 7TR
United Kingdom
25.02.2020

**VACUUM CLEANER
T32
TECHNICAL DATA**

Voltage	UK & Eire Europe	V _{AC} V _{AC}	230/115 230
Power Input	230v 115v	W W	800 800
Frequency		Hz	50
Flow rate		l/s	20
Max. vacuum		mbar	146
Filter surface	HEPA	cm ²	1850
Negative pressure		K _{PA}	14.6
Dust category			M
Collection bag contents		L	15
Container		L	20
Noise		dB	80
Hose	Length Outside diameter	M mm	3 39
Dimensions	Height x width	mm	492 x 375
Weight		kg	6.5kg
Vibration		m/s ²	<=2.5
L _{PA}	(emission sound pressure level)	dB(A)	<=70
K _{PA}	(uncertainty for the given sound level)	dB(A)	1.5
L _{WA}	(sound power level)	dB(A)	80
K _{WA}	(uncertainty for the given sound level)	dB(A)	1.5

Fuses		
UK & Eire	230V tools	13 Amperes, in plug
UK & Eire	115V tools	16 Amperes, main
Europe	230V tools	16 Amperes, main

INTENDED USE

This machine is intended for collection, vacuuming, conveying and separation of non- flammable dry dusts and non-flammable liquids and water-air mixtures. This dust category class M vacuum cleaner is for professional use and is suited for trades and workshops.

According to IEC/EN 60335-2-69, vacuum of dust category M may only be used for vacuuming and extraction of hazardous dusts with an exposition limit value ≥ 0.1 mg/m³. Use vacuum cleaner only when you fully understand and can perform all functions without

limitation, or have received appropriate instruction.

This appliance is suitable for commercial use, for example in hotels, schools, factories, shops and offices.

The appliance is intended for use as a dry vacuum cleaner only.

DO NOT let children come into contact with this appliance. Supervision is required when inexperienced operators use this appliance.



WARNING: Ensure all filters are fitted.

WARNING: Operators shall be adequately instructed on the use of these machines.

WARNING: Do not allow the supply cord to come into contact with the rotating brushes.

WARNING: This machine is for dry use only.

WARNING: This machine is not suitable for picking up hazardous dust.

WARNING: The machine has to be disconnected from its power source during cleaning or maintenance and when replacing parts or converting the machine to another function for mains operated machines, by removing the plug from the socket-outlet

WARNING: Children should be supervised to ensure that they do not play with the appliance

CAUTION: This machine is for indoor use only.

CAUTION: This machine shall be stored indoors only.

CAUTION: Do not overload suction.

CAUTION: Clean filters daily.

CAUTION: Do not over fill bag.

DO NOT use vacuum cleaner for combustible dust.

DO NOT use vacuum cleaner in explosive atmospheres.

This product is not intended for use by persons (including children) suffering from diminished physical, sensory or mental abilities; lack of experience, knowledge or skills unless they are supervised by a person responsible for their safety. Children should never be left alone with this product.

Electrical Safety

Power Supply



WARNING:

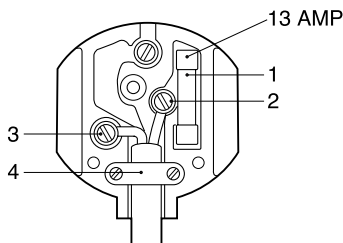
Before any maintenance work, isolate mains plug from power source

The electric motor has been designed for one voltage only. Always check that the power supply corresponds to the voltage on the rating plate. Machines marked for 230 volt can also be operated from a 220 volt supply. The vacuum cleaner is supplied from the factory with mains supply power cord/cable, which has an earthed plug. It must only be connected to an approved earthed socket.

Mains Plug Replacement (UK & Ireland only)

Always check the condition of the cable and plug before starting with your work. Should your mains plug need replacing and you are competent to do this, proceed as instructed below. If you are in doubt, contact an authorised Trend repair agent or a qualified electrician.

- Disconnect the plug from the supply.
- Cut off the plug and dispose of it safely; a plug with bared copper conductors is dangerous if engaged in a live socket outlet.
- Only fit 13 Amperes BS 1363A approved plugs fitted with a 13 Amp A.S.T.A approved BS 1362 fuse (1).
- The cable wire colours, or a letter, will be marked at the connection points of most good quality plugs. Attach the wires to their respective points in the plug (see below). Brown is for Live (L) (2) and Blue is for Neutral (N) (3).
- Before replacing the top cover of the mains plug ensure that the cable restraint (4) is holding the outer sheath of the cable firmly and that the two leads are correctly fixed at the terminal screws.



For 115V units with a power rating exceeding 1500W we recommend to use a plug to BS4343 standard.



WARNING:

Never connect to a light socket. Never connect the live (L) or neutral (N) wires to the earth pin marked E or \perp .

Using an Extension Cable

- If an extension cable is required, use an approved triple core extension cable suitable for the power input of this tool (see technical data). The minimal conductor size is 1.5mm², the maximum length is 30m.
- When using a cable reel, always unwind the cable completely.



WARNING:

115V units have to be operated via a fail-safe isolating transformer with an earth screen between the primary and secondary windings.



WARNING:

To reduce the risk of injury, read the instruction manual.

VACUUM CLEANING SAFETY

Important Safety Instructions



WARNING!

Read all safety warnings and all instructions. Failure to follow the warnings and instructions may result in electric shock, fire and/or serious injury.

SAVE ALL WARNINGS AND INSTRUCTIONS FOR FUTURE REFERENCE. BEFORE USING THE APPLIANCE, READ AND FOLLOW ALL INSTRUCTIONS.



WARNING:

Operators should be adequately instructed on the use of these machines.



WARNING:

To reduce the risk of electric shock. Do not expose to rain. Store indoors.

- Components used for packaging (e.g. plastic bags) can be dangerous, keep away from children and animals.
- Operators should be adequately instructed on the use of this machine.
- Before use, operators shall be provided with information, instruction and training for the use of the machine and the substances for which it is to be used, including the safe method of removal and disposal of the material collected.
- Operators should observe any safety regulations appropriate to the materials being handled.
- Never leave the equipment unattended whilst in use. Do not leave the appliance when it is connected to a power source. Unplug it from outlet when not in use and before servicing. Turn off all controls before unplugging appliance.
- The appliance is not to be used by children or persons with reduced physical, sensory or mental capabilities, or lack of experience and knowledge, unless they have been given supervision or instruction.
- Children should not play with the appliance, it is not a toy.
- Use this appliance only as described in the manual.
- The use of this machine for anything not specified in this manual may be dangerous and must be avoided.
- Only use the socket outlet on the appliance for purposes specified in the instruction manual.
- Always check the appliance before use.
- The suction nozzle should be kept away from the body, especially delicate areas such as eyes, ears and mouth.
- Do not unplug this appliance by pulling on the power cord. To unplug, grasp the plug, not the power cord.
- Do not pull or carry this appliance by the power cord. Do not use the power cord as a handle, close a door on the power cord, or pull the power cord around sharp edges or corners. Do not run the appliance over the power cord. Keep power cord away from heated surfaces.
- Do not handle the plug or appliance or grasp power cord with wet hands.
- Do not put any objects into the openings of the appliance. Do not use the appliance with any opening blocked. Keep openings free of dust, lint, hair and anything else that may reduce airflow and cause a blockage.
- Keep hair, loose clothing, fingers, and all body parts away from the openings and moving parts of the appliance.
- Static shocks are possible in dry areas or when the relative humidity of the air is low. This is only temporary and does not affect the use of the vacuum. To reduce the frequency of static shocks, add moisture to the air with a console or installed humidifier.
- To avoid spontaneous combustion, empty canister after each use.
- Take extra care if cleaning on stairs.
- The equipment should be correctly assembled before use.
- Ensure that power sockets used are correct for the machine.
- Check that voltage indicated on the rating plate is the same as the supply voltage.
- These machines are not suitable for vacuuming health endangering dusts or inflammable/explosive substance (like ash and soot).
- Never carry out any maintenance on the machine without first disconnecting from the mains supply or when is left unattended or reachable by children or disables.
- The machine should never be immersed and never use water jet against the appliance to clean it.
- Periodically examine the power cord and machine for damage. If any damage is found, do not use the appliance but contact your service centre for repair.
- If the power supply cord is damaged, it must be replaced by the manufacturer, its service centres or similarly qualified people in order to avoid a hazard.
- If an extension cord is used, the plug and socket must be of watertight construction.
- If the machine overturns, it would be recommended to

stand it up before switching off.

- If foam or liquid escape from the appliance, switch off immediately.
- The equipment should not be used to vacuum water from containers, lavatories, tubs, etc.
- Before emptying the tank, switch off the machine and disconnect the plug from the power outlet.
- Aggressive solvents or detergents should not be used.
- Service and repairs must be carried out by qualified personnel only. Only use Trend original spare parts for service repair.
- The manufacturer cannot be held responsible for any damage/injury caused to persons, animals or property caused by misuse of the appliance.
- Use only Trend recommended attachments and Trend original spare parts.

SAVE THESE INSTRUCTIONS

Additional Safety Rules



WARNING:

This appliance contains harmful dust. The emptying and maintenance, including the removal of the collection bag, may only be executed by trained personnel wearing suitable protection equipment. Do not switch on until the complete filter system has been installed. Otherwise there is danger to your own health.

- Do not pick up anything that is burning or smoking, such as hot ashes, matches or cigarettes.
- Do not use to vacuum combustible explosive materials, such as grain, coal or other finely divided combustible material.
- Do not use to vacuum hazardous, toxic or carcinogenic materials, such as asbestos or pesticide.
- Never pick up explosive liquids (e.g. paint thinner, gasoline, diesel fuel, heating oil etc.), acids or solvents.
- Do not use vacuum without filters in place, except as explained in the Wet Vacuuming section of this manual.
- Some woods contain preservatives which can be toxic. Take extra care to prevent inhalation and skin contact when working with these materials. Request and follow any safety information available from the supplier of the materials.
- Do not use vacuum cleaner as a seat, ladder or stepladder.
- Do not place heavy objects on vacuum cleaner.

- Do not hang the vacuum cleaner eg for transporting purposes.



Wear Personal Protective Equipment (PPE). Ear, eye and respiratory protection must be worn.

RESIDUAL RISKS

In spite of the application of the relevant safety regulations and implementation of safety devices, certain residual risks cannot be avoided.

These are:-

- Impairment of hearing.
- Risk of personal injury due to flying particles.
- Risk of burns due to accessories becoming hot during operation.
- Risk of personal injury due to prolonged use.

MARKINGS ON TOOL

The following pictures are shown on the appliance.



Read instruction manual before use.



WARNING: This appliance contains harmful dust. The emptying and maintenance, including the removal of the collection bag, may only be executed by trained personnel wearing suitable protection equipment. Do not switch on until the complete filter system has been installed. Otherwise there is a danger to your own health.



Class M vacuum cleaners are suitable to vacuum dry, non-combustible dusts with workplace limit values of ≤ 0.1 mg/m³.



WARNING:

The vacuum cleaner contains materials that are hazardous to one's health. Have the emptying and maintenance, including the disposal of dust-collection containers, carried out only by specialists. Appropriate protective equipment is required. Do not operate the vacuum cleaner without the complete filter system. Otherwise there is danger to your own health.

Date Code Position

The date code, which includes the year of manufacture, is printed on the rating plate that can be found on the appliance top housing.

ITEMS ENCLOSED

- 1 x Cartridge Filter HEPA H13
- 2 x Castors
- 2 x Main Wheels
- 1 x Container
- 1 x Synthetic Collection Bag
- 1 x Hose 3m x 39mm Ø with Hose Spout
- 2 x Extension Tubes
- 1 x Curved Metal Tube
- 1 x High Efficiency Floor Brush
- 1 x Hard Floor Brush
- 1 x Power Tool Adaptor
- 1 x Crevice Tool /Brush
- 1 x Manual
- 1 x Guarantee Card

DESCRIPTION OF PARTS - (Fig 1.)

- A.** Switch ON-OFF
- B.** Extraction velocity monitor
- C.** Shaker button
- D.** Carrying handle
- E.** Cartridge filter HEPA
- F.** Collection bag
- G.** Container
- H.** Container hose inlet
- I.** Container deflector flange
- J.** Blower outlet
- K.** Lid
- L.** Container catch
- M.** Castors
- N.** Main wheels
- O.** Hose bayonet fitting
- P.** Hose 3m x 39mmØ
- Q.** Extension tubes
- R.** Curved metal tube
- S.** Crevice/brush tool
- T.** Power tool adaptor
- U.** Hard Floor Brush
- V.** Hose spout
- W.** High efficiency floor brush
- X.** Onboard storage locations

- Check for damage to the tool, parts or accessories, which may have occurred during transport. Parts and accessories may be inside container.
- Take the time to thoroughly read and understand this manual prior to operation



WARNING:

Never modify the appliance or any part of it. Damage or personal injury could result.

ASSEMBLY - (Fig 2.)

Accessories are secured inside the container. Undo the three container catches, remove the motor lid, remove accessories. Turn the container upside down, insert front castor wheels. Locate main wheels, and click to lock into place. Turn container right way up. Fit collection bag (see Inserting and Removing the Collection Bag section). Ensure the cartridge filter butterfly screw is tight. Refit motor and ensure all three container catches are fastened.

Inserting Collection Bag - (Fig 3.)



- Unlock the container catches and remove the lid.
- The collection bag has a card-reinforced opening with a tab at the top.
- Ensure that the collection bag is handled with care to prevent damage and that it does not get caught or ripped by the container deflector flange or other sharp objects or projections.
- Insert the collection bag into the container with the opening towards the front of the vacuum cleaner.
- Pull the collection bag opening over the container deflector flange ensuring the collection bag opening passes over the ridge on the container deflector.
- Ensure collection bag is pushed tight.
- Fold out the rest of the disposal collection bag downwards into the container.



CAUTION:

Take care of the bag to ensure it does not get damaged when fitting or when removing.


Removing the Collection Bag - (Fig.4)

To remove bag undo the container hose pull bag off the container deflector flange. Close the bag by flipping the tab over.

Dispose of the filter in a suitable container according to the applicable laws.

It is good practice however, to change the bag regularly to guarantee optimal cooling of the motor.

If the vacuum cleaner is used without the paper dust bag, it is recommended that the dust container be emptied and cleaned after each use.

 **The collection bag must be replaced when the extraction velocity monitor goes to red and stays on red.**


Mounting the Hose, Nozzles and Tubes - (Fig.5,5a) 

- Connect the hose to the container by pushing the hose with bayonet fitting into the container hose inlet ensure bayonet tabs are vertical and turn clockwise to lock. To remove hose, turn hose with bayonet fitting anti-clockwise to remove from the inlet.
- The spouts are a push fit on the extension tubes. To remove the spouts, turn the parts in the opposite direction and pull apart.
- For carpets use the universal spout.
- For floors, clip the brush spout insert into the universal spout.

Fitting/Removing Cartridge Filter - (Fig.6) 

- The filter cartridge has to be completely pushed in and is secured by turning the butterfly nut clockwise. Check that it fits correctly.

In order to remove the cartridge filter turn the butterfly nut anti-clockwise and withdraw the cartridge filter. Ensure the seal around the retaining screw is in place.

 **Before using the appliance always check that all the filters provided are in the correct position.**



OPERATION

Starting Operation 

Observe correct mains voltage! The voltage of the power source must agree with the voltage specified on the nameplate of the vacuum cleaner. Equipment marked with 230V can also be operated with 220V. Please refer to the HSE guidelines concerning the handling of materials that are hazardous to one's health.

- The machine must be always kept on horizontal bases, in a safe and stable way.
- Insert the suitable filters for the proper use.
- Never use the appliance without the filters.
- Use the most suitable accessories for the requested usage.

The vacuum cleaner may generally not be used in rooms where the danger of an explosion exists. To save energy, only switch the vacuum cleaner on when using it.

Dry Vacuuming 

Never use the appliance without the polyurethane foam filter, cartridge filter or the collection bag.

- Fit the cartridge and lock in position using the butterfly screw.
- To switch the vacuum cleaner on, press button down.

To switch the vacuum cleaner off, press button down to release. If extraction velocity monitor is red, press and hold filter shaker button for 3 seconds. (device/extraction must be on) filter will continue shaker function for a further 5 seconds after release. If the monitor turns red only as and when you connect to a power tool, ensure that the extraction spouts of the tool and hose are not blocked. If clear, it is OK to use. Check the flow periodically by removing the extraction hose.

If red monitor continues the dust bag may be full, and will need to be replaced. See Filter

NOTE: An adequate ventilation rate (M) must be provided for when the outgoing air is circulated. Observe the respective national regulations.

Blower Function - (Fig 7.)



CAUTION:

Function not usable if the appliance is used to dry vacuum harmful dust.

Remove the hose from the inlet and then insert the hose with hose bayonet cap, into the blower outlet situated on top of inside the lid.

When job is over, switch off and isolate the plug from the socket.

After use, store vacuum cleaner carefully.

MAINTENANCE AND SERVICE

Please use only Trend original spare parts accessories.

- Before any work on the vacuum cleaner itself, isolate from the power supply.
- For safe use and to ensure the appliance works properly, always keep the vacuum cleaner and ventilation slots clean.
- Wear a dust protection mask when maintaining and cleaning the vacuum cleaner.
- If the replacement of the power cable is necessary, this has to be done by Trend or a Trend Service Agent in order to avoid a safety hazard.
- A dust-technical inspection is to be carried out at least once every year by the manufacturer or an instructed person, e.g. for damage of the filter, tightness against leakage of the vacuum cleaner and function of the control unit.
- For category M vacuum cleaners that were in contaminated environments, the exterior as well as all machine parts should be cleaned or treated with sealants.
- When performing maintenance and repair work, all contaminated components that cannot be cleaned satisfactory must be disposed of.
- Such components must be disposed of in impermeable plastic bags conforming to the valid national regulations for the disposal of such waste.
- For user servicing, the machine shall be dismantled, cleaned and service, as far as is reasonably practicable, without causing risk to the maintenance staff and others. Suitable precautions include decontamination before dismantling, provision for local filtered exhaust ventilation where the machine is dismantled, cleaning of the maintenance area and suitable personal protect.
- The method by which covers of non-dust proof

compartments should be removed for cleaning.

- The outside of the machine is decontaminated by vacuum cleaning methods and wiped clean or treated with sealant before being taken out of a hazardous area. All the machine part shall be regarded as contaminated when removed from the hazardous area and appropriate action taken to prevent dust dispersal
- Operators should observe any safety regulation appropriate to be the material being handled

For maintenance on behalf of the user, the vacuum cleaner must be disassembled, cleaned and maintained as far as feasible, without causing a risk for the maintenance personnel or other persons. Prior to disassembly, the vacuum cleaner should be cleaned in order to prevent any risks. The room/enclosure in which the vacuum cleaner is disassembled should be well ventilated. Wear personal protective equipment during maintenance. After maintenance of the appliance, the maintenance area should be cleaned.

Cleaning



WARNING:

Never use solvents or other harsh chemicals for cleaning the non-metallic parts of the appliance. These chemicals may weaken the materials used in these parts. Never let any liquid get inside the machine; never immerse any part of the appliance into a liquid.

- Vacuum the outside of the dust extractor. Clean the exterior part of the machine with a dry cloth.
- After use dispose of the cloth in an appropriate container.

Cartridge Filter - (Fig 8.)

Cartridge filter should periodically be washed only externally under running water to avoid damage to the filter surface.

It is recommended however that this filter be replaced every six months, or in relation to the frequency of use and to the type of dirt.



WARNING:

Once the filter has been cleaned, check whether it is suitable for further use. If it has been damaged or broken, replace it with an original filter.

Lubrication

- Your appliance requires no additional lubrication.

Storage


- Empty the container. Clean the vacuum inside and outside, refer to the Cleaning section.
- Clean or replace filters, refer to the Filters section.
- To prevent back injuries, remove a full disposal collection bag, or drain vacuumed up fluid before transporting the vacuum cleaner.
- Wind the cable around the carrying handle and wrap suction hose around container.
- Carry the vacuum cleaner only by the carrying handle.
- Store appliance and accessories in a safe place.
- Place the unit and accessories in a dry room and secure it from unauthorized use. Store out of reach of children.

ENVIRONMENTAL PROTECTION

Recycle raw materials instead of disposing as waste.

Accessories and packaging should be sorted for environmental-friendly recycling.



 Separate collection. This product must not be disposed of with normal household waste.

Household User

Local regulations may provide for separate collection of electrical products from the household, at municipal waste sites or by retailer when you purchase a new product. Please call Trend Customer Services for advice as to how to dispose of unwanted Trend electrical products in an environmentally safe way or visit www.trend-uk.com

Business Users

Please call Trend Customer Services for disposal of unwanted Trend electrical products.

GUARANTEE

The unit carries a manufacturers guarantee in accordance with the conditions on the enclosed guarantee card.

For the location of your nearest Trend Service Agent, please call Trend Customer Services or see our stockist locator at www.trend-uk.com.

ACCESSORIES

Please use only Trend original accessories.

All accessories are available for purchase from Trend Dealers. To find your nearest Trend Dealer please visit www.trend-uk.com

Filter Bag

Ref. T32/1 1 off

Ref. T32/1/5 5 off

Ref. T32/1/10 10 off

Cartridge Filter HEPA

Ref. T32/2 1 off

DE - T32

Sehr geehrter Kunde, vielen Dank, dass Sie dieses Produkt von Trend erworben haben. Wir hoffen, dass Sie es viele Jahre auf kreative und produktive Weise nutzen werden.

Bitte denken Sie daran, Ihre Garantiekarte innerhalb von 28 Tagen nach dem Kauf zurückzuschicken.



ACHTUNG:

Lesen Sie vor dem Gebrauch des Geräts die Anleitungen

Definitionen: Sicherheitsrichtlinien

Die nachfolgenden Definitionen beschreiben den Schweregrad jedes Signalwortes. Bitte lesen Sie die Bedienungsanleitung und achten Sie auf diese Symbole.

Die folgenden Symbole werden in der Bedienungsanleitung verwendet:



WARNUNG:

Weist auf eine möglicherweise gefährliche Situation hin, die, wenn sie nicht vermieden wird, zum Tod oder schweren Verletzungen führen könnte.



ACHTUNG:

Weist auf eine möglicherweise gefährliche Situation hin, die, wenn sie nicht vermieden wird, zu geringfügigen oder mittelschweren Verletzungen führen kann.

HINWEIS: Weist auf ein Verhalten hin, das nicht mit Verletzungen verbunden ist, aber, wenn es nicht vermieden wird, zu Sachschäden führen kann.



Weist auf ein Stromschlagrisiko hin.



Weist auf Brandgefahr hin.

Weitere verwendete Symbole



Persönliche Schutzausrüstung (PSA) tragen. Ohren-, Augen- und Atemschutz muss getragen werden.



Weist auf Lebensgefahr, Gefahr von Verletzungen oder Beschädigung am Werkzeug bei Nichtbeachtung der Anleitungen in dieser Bedienungsanleitung.



Falls Sie weitere Sicherheitsempfehlungen, technische Informationen oder Ersatzteile benötigen, rufen Sie bitte den technischen Support von Trend an oder besuchen Sie www.trend-uk.com

EU-KONFORMITÄTSERKLÄRUNG

MASCHINENRICHTLINIE



STAUBSAUGER

T32

Trend erklärt, dass das Produkt, das unter Technische Daten beschrieben wird, die 2006/42/EG erfüllt.

Dieses Produkt entspricht darüber hinaus den Richtlinien 2014/35/EU, 2014/30/EU, 2011/65/EU, EU666, 2009/125/EC, 1275/2009/EC und den folgenden harmonisierten Normen

EN 60335-1, EN 60335-2-69, EN 62233:2008, EN 55014-1:2017, EN 55014-2:2015, EN 61000-3-2:2014, EN 61000-3-3:2013.

Um mehr zu erfahren, kontaktieren Sie bitte Trend unter der folgenden Adresse oder werfen Sie einen Blick auf die Rückseite der Bedienungsanleitung. Der Unterzeichner gibt diese Erklärung im Namen von Trend Machinery & Cutting Tools Ltd, ab.

Technischer Leiter
Neil McMillan

Trend Machinery & Cutting Tools Ltd
Unit 6 Odhams Trading Estate
St Albans Road, Watford
Herts, WD24 7TR
Vereinigtes Königreich
25.02.2020

**STAUBSAUGER
T32
TECHNISCHE DATEN**

Spannung	GB und Irland Europe	V _{AC} V _{AC}	230/115 230
Eingangsleistung	230v 115v	W W	800 800
Frequenz		Hz	50
Durchflussmenge		l/s	20
Max. Unterdruck		mbar	146
Filteroberfläche	HEPA	cmq	1850
Negativdruck		K _{PA}	14,6
Staubklasse			M
Staubbeutelvolumen		L	15
Behälter		L	20
Schalldruckpegel		dB	80
Schlauch	Länge Außendurchmesser	M mm	3 39
Maße	Höhe x Breite	mm	492 x 375
Gewicht		kg	6.5kg
Vibration		m/s ²	<=2.5
L _{PA}	(Emissions- schalldruckpegel)	dB(A)	<=70
K _{PA}	(Unsicherheit für die angegebene Schalleistung)	dB(A)	1.5
L _{WA}	(Schalleistungspegel)	dB(A)	80
K _{WA}	(Unsicherheit für die angegebene Schalleistung)	dB(A)	1.5

Sicherungen		
GB und Irland	230V Werkzeuge	13 Ampere, im Stecker
GB und Irland	115V Werkzeuge	16 Ampere, Hauptstromleitung
Europe	230V Werkzeuge	16 Ampere, Hauptstromleitung

**BESTIMMUNGSGEMÄSSE
VERWENDUNG**

Diese Maschine ist für das Aufsammeln, Aufsaugen, Transportieren und Trennen von nicht brennbaren trockenen Stäuben und nicht brennbaren Flüssigkeiten und Wasser-Luft-Gemischen bestimmt. Dieser Staubsauger der Staubklasse M ist für die gewerbliche Nutzung vorgesehen und für handwerkliche Betriebe und Werkstätten geeignet.

Gemäß IEC/EN 60335-2-69 darf ein Staubsauger der Staubklasse M nur zum Aufsaugen und Extrahieren von

gefährlichen Stäuben mit einem Expositionsgrenzwert von $\geq 0,1$ mg/m³ eingesetzt werden. Benutzen Sie den Staubsauger nur, wenn Sie alle Funktionen ohne Einschränkungen verstanden und ausführen können oder die entsprechende Einweisung erhalten haben.

Dieses Gerät eignet sich für den gewerblichen Gebrauch, zum Beispiel in Hotels, Schulen, Fabriken, Geschäften und Büros.

Das Gerät ist nur für die Verwendung als Trockenstaubsauger bestimmt.

Kinder von diesem Gerät **FERNHALTEN**. Unerfahrene Bediener müssen bei der Benutzung dieses Geräts beaufsichtigt werden.



WARNUNG: Es müssen alle Filter eingesetzt sein.

WARNUNG: Bediener sollten eine angemessene Unterweisung in die Benutzung dieser Maschinen erhalten haben.

WARNUNG: Das Stromkabel darf nicht mit den rotierenden Bürsten in Kontakt kommen.

WARNUNG: Diese Maschine ist nur für trockene Anwendungen bestimmt.

WARNUNG: Diese Maschine eignet sich nicht zum Aufsagen von gefährlichem Staub.

WARNUNG: Die Maschine muss in den folgenden Situationen durch Entfernen des Steckers aus der Steckdose von ihrer Stromquelle getrennt werden: zur Reinigung oder Wartung, wenn Teile ersetzt werden oder die Maschine für eine andere Funktion für netzbetriebene Maschinen umgerüstet wird.

WARNUNG: Kinder sollten beaufsichtigt werden, um sicherzustellen, dass sie nicht mit dem Gerät spielen.

ACHTUNG: Diese Maschine ist nur für den Gebrauch in Innenbereichen ausgelegt.

ACHTUNG: Diese Maschine darf nur im Haus gelagert werden.

ACHTUNG: Saugfunktion nicht überlasten.

ACHTUNG: Filter täglich reinigen.

ACHTUNG: Beutel nicht überfüllen.

Staubsauger **NICHT** für brennbaren Staub verwenden.

Staubsauger **NICHT** in explosionsgefährlichen Atmosphären benutzen. Dieses Gerät ist nicht dafür vorgesehen, von Personen (unter anderem Kinder) benutzt zu werden, deren körperlichen, sensorischen oder geistigen Fähigkeiten eingeschränkt sind oder denen es an Erfahrung, Kenntnis oder Kompetenz mangelt; es sei denn, sie werden von einer für ihre Sicherheit verantwortlichen Person beaufsichtigt. Kinder sollten unter keinen Umständen mit diesem Gerät allein gelassen werden.

Elektrische Sicherheit

Stromversorgung



WARNUNG:

Ziehen Sie vor Wartungsarbeiten den Netzstecker aus der Netzsteckdose.

Der Elektromotor wurde nur für eine Spannung entwickelt. Prüfen Sie stets, ob die Stromversorgung mit der Spannung auf dem Typenschild übereinstimmt. Maschinen, die für 230 Volt bemessen sind, können auch von einer Versorgungsquelle mit 220 Volt betrieben werden. Der Staubsauger wird vom Werk mit einem Stromkabel geliefert, das mit einem Schutzkontakt-Stecker versehen ist. Er darf nur an eine zugelassene geerdete Steckdose angeschlossen werden.

Verwendung eines Verlängerungskabels

- Falls ein Verlängerungskabel benötigt wird, verwenden Sie ein zugelassenes dreidriges Verlängerungskabel, das für die Stromversorgung dieses Werkzeugs geeignet ist (siehe technische Daten). Die minimale Leitergröße beträgt 1,5 mm², die maximale Länge beträgt 30 m.
- Wenn Sie eine Kabeltrommel verwenden, wickeln Sie das Kabel immer vollständig ab.



WARNUNG:

115-V-Geräte müssen über einen ausfallsicheren Trenntransformator mit Massenabschirmung zwischen der Primär- und Sekundärwindung betrieben werden.



WARNUNG:

Lesen Sie die Bedienungsanleitung, um die Verletzungsgefahr zu verringern.

STAUBSAUGERSICHERHEIT

Wichtige Sicherheitshinweise



WARNUNG!

Lesen Sie alle Sicherheitshinweise und alle Anleitungen. Bei Missachtung der Warnhinweise und Anleitungen besteht die Gefahr eines Stromschlags, Feuers und/oder schwerer Verletzungen.

BEWAHREN SIE ALLE WARNHINWEISE UND ANLEITUNGEN ZUM NACHLESEN AUF. LESEN SIE VOR DEM GEBRAUCH DES GERÄTS ALLE ANLEITUNGEN UND BEFOLGEN SIE DIESE.



WARNUNG:

Bediener sollten eine angemessene Unterweisung in die Benutzung dieser Maschinen erhalten.



WARNUNG:

Um das Stromschlagrisiko zu reduzieren. Vor Regen schützen. Im Haus lagern.

- Nur für trockene Anwendungen.
- Das Verpackungsmaterial (z. B. Plastikbeutel) kann eine Gefahr darstellen; von Kindern und Tieren fernhalten.
- Bediener sollten eine angemessene Unterweisung in die Benutzung dieser Maschine erhalten.
- Vor dem Gebrauch sollten Bediener informiert, angeleitet und im Umgang mit der Maschine und den Substanzen, für die sie eingesetzt wird, geschult werden, einschließlich der sicheren Entfernung und Entsorgung des aufgesaugten Materials.
- Bediener sollten alle Sicherheitsbestimmungen in Bezug auf das zu verarbeitende Material beachten
- Lassen Sie das Gerät während des Betriebs niemals unbeaufsichtigt. Lassen Sie das Gerät nicht zurück, wenn es an eine Stromquelle angeschlossen ist. Ziehen Sie den Stecker aus der Steckdose, wenn das Gerät nicht benutzt wird und vor Reparaturen. Schalten Sie alle Bedienelemente aus, bevor Sie den Stecker des Geräts aus der Steckdose ziehen.
- Das Gerät darf nicht von Kindern oder Personen mit eingeschränkten körperlichen, sensorischen oder geistigen Fähigkeiten oder Personen, denen es an Erfahrung und Kenntnis mangelt, benutzt werden; es sei denn, sie werden beaufsichtigt oder angeleitet.
- Kinder dürfen nicht mit dem Gerät spielen, es ist kein Spielzeug.
- Verwenden Sie dieses Gerät nur wie in der Bedienungsanleitung beschrieben.
- Die Verwendung dieser Maschine für Zwecke, die nicht in dieser Bedienungsanleitung angegeben werden, kann gefährlich sein und ist zu unterlassen.
- Verwenden Sie die Steckdose am Gerät nur für die in der Bedienungsanleitung beschriebenen Zwecke.
- Prüfen Sie das Gerät vor jedem Gebrauch.
- Die Saugdüse sollte vom Körper ferngehalten werden, insbesondere von empfindlichen Bereichen wie Augen, Ohren und Mund.

- Ziehen Sie nicht am Stromkabel, um dieses Gerät von der Steckdose zu trennen. Fassen Sie am Stecker an, nicht am Kabel, um das Gerät von der Steckdose zu trennen.
- Ziehen oder tragen Sie dieses Gerät nicht am Stromkabel. Das Stromkabel nicht als Griff verwenden, nicht in einer Tür einklemmen oder über scharfe Kanten oder Ecken ziehen. • Führen Sie das Gerät nicht über das Stromkabel. Halten Sie das Stromkabel von beheizten Flächen fern. • Fassen Sie den Stecker, das Gerät oder das Stromkabel nicht mit nassen Händen an.
- Stecken Sie keine Gegenstände in die Öffnungen des Geräts. Benutzen Sie das Gerät nicht mit blockierten Öffnungen Halten Sie die Öffnungen frei von Staub, Fusseln, Haaren und anderen Dingen, die den Luftfluss einschränken und Blockaden verursachen können.
- Halten Sie Haare, weite Kleidung, Finger und alle anderen Körperteile von den Öffnungen und den sich bewegenden Teilen des Geräts fern.
- Elektrostatische Aufladung ist in trockenen Bereichen oder bei niedriger Luftfeuchtigkeit möglich. Dies ist nur vorübergehend und beeinträchtigt nicht die Benutzung des Staubsaugers. Um die Häufigkeit statischer Aufladung zu verringern, befeuchten Sie die Luft mit einem Gerät oder einem installierten Luftbefeuchter.
- Leeren Sie zur Vermeidung von Selbstentzündung nach jedem Gebrauch den Kanister.
- Seien Sie besonders vorsichtig, wenn Sie auf Treppen staubsaugen.
- Das Gerät muss vor dem Gebrauch sachgemäß zusammengebaut werden.
- Stellen Sie sicher, dass die benutzten Netzsteckdosen für die Maschine geeignet sind.
- Vergewissern Sie sich, dass die auf dem Typenschild angegebene Spannung mit der Versorgungsspannung übereinstimmt.
- Diese Maschinen eignen sich nicht zum Aufsaugen gesundheitsschädlicher Stäube oder brennbarer/ explosionsgefährlicher Stoffe (wie Asche und Ruß).
- Trennen Sie die Maschine immer erst von der Stromquelle, wenn Sie Wartungsarbeiten vornehmen oder die Maschine unbeaufsichtigt in Reichweite von Kindern oder behinderten Personen lassen.
- Die Maschine sollte niemals zur Reinigung in Wasser getaucht oder mit einem Wasserstrahl abgespritzt werden.
- Untersuchen Sie das Stromkabel und die Maschine regelmäßig auf Beschädigungen. Falls Sie Schäden entdecken, benutzen Sie das Gerät nicht, sondern wenden Sie sich an Ihr Service-Center, um das Gerät reparieren zu lassen.
- Wenn das Stromkabel beschädigt ist, muss es aus Sicherheitsgründen vom Hersteller, seinen

Kundendienstzentralen oder ähnlich qualifizierten Personen ersetzt werden.

- Wenn ein Verlängerungskabel verwendet wird, müssen der Stecker und die Steckdose wasserdicht konstruiert sein.
- Wenn die Maschine umkippt, empfiehlt es sich, sie vor dem Ausschalten wieder aufzustellen.
- Das Gerät sollte nicht zum Aufsaugen von Wasser aus Containern, Toiletten, Wannen usw. verwendet werden.
- Es sollten keine scharfen Lösungsmittel oder Reinigungsmittel verwendet werden.
- Wartung und Reparaturen dürfen nur von qualifizierten Fachleuten durchgeführt werden. Verwenden Sie nur Original-Ersatzteile von Trend für die Wartung oder für Reparaturen.
- Der Hersteller haftet nicht für Sachschäden/ Verletzung von Personen oder Tieren, die durch die unsachgemäße Benutzung des Geräts verursacht werden.
- Verwenden Sie von Trend empfohlene Aufsätze und Original-Ersatzteile von Trend.

DIESE ANLEITUNGEN AUFBEWAHREN

Weitere Sicherheitsregeln



WARNUNG:

Dieses Gerät enthält schädlichen Staub. Entleerung und Wartung, einschließlich Entfernung des Staubbeutels dürfen nur von geschulten Personen, die eine geeignete Schutzausrüstung tragen, vorgenommen werden. Schalten Sie das Gerät erst ein, wenn das komplette Filtersystem installiert ist. Andernfalls gefährden Sie Ihre Gesundheit.

- Saugen Sie nichts auf, das brennt oder raucht, wie zum Beispiel heiße Asche, Streichhölzer oder Zigaretten.
- Saugen Sie mit dem Gerät keine brennbaren, explosionsgefährlichen Substanzen, wie Körner, Kohle oder andere feinkörnige brennbare Materialien auf.
- Saugen Sie mit dem Gerät keine gefährlichen, toxischen oder krebserregenden Materialien wie Asbest oder Pestizide auf.
- Saugen Sie niemals explosionsgefährliche Flüssigkeiten (z. B. Farbverdünner, Benzin, Dieselöl, Heizöl usw.), Säuren oder Lösungsmittel auf.
- Benutzen Sie den Staubsauger nicht ohne Filter, mit Ausnahme wie im Abschnitt „Nasssaugen“ in dieser Bedienungsanleitung beschrieben.

- Manche Hölzer enthalten Schutzmittel, die giftig sein können. Seien Sie besonders vorsichtig, um das Einatmen und den Hautkontakt beim Arbeiten mit diesen Substanzen zu vermeiden. Fordern Sie sämtliches Sicherheitsmaterial an, das beim Materiallieferanten erhältlich ist, und folgen Sie den Sicherheitsvorgaben.
- Verwenden Sie den Staubsauger nicht als Sitz, Leiter oder Trittleiter.
- Stellen Sie keine schweren Gegenstände auf den Staubsauger.
- Hängen Sie den Staubsauger, zum Beispiel zum Transportieren, nicht auf.



Persönliche Schutzausrüstung (PSA) tragen, Ohren-, Augen- und Atemschutz muss getragen werden.

RESTRISIKEN

Trotz Beachtung der geltenden Sicherheitsvorschriften und des Einsatzes von Schutzvorrichtungen können bestimmte Risiken nicht vermieden werden.

Dies sind:-

- Beeinträchtigung des Gehörs;
- Verletzungsgefahr durch umherfliegende Teilchen;
- Verbrennungsgefahr aufgrund während des Betriebs heiß werdender Einsatzwerkzeuge;
- Verletzungsgefahr durch andauernden Gebrauch.

KENNZEICHNUNGEN AUF DEM WERKZEUG

Die folgenden Symbole sind auf dem Gerät abgebildet.



Vor dem Gebrauch die Bedienungsanleitung lesen.



! WARNUNG: Dieses Gerät enthält schädlichen Staub. Entleerung und Wartung, einschließlich Entfernung des Staubbeutels dürfen nur von geschulten Personen, die eine geeignete Schutzausrüstung tragen, vorgenommen werden. Schalten Sie das Gerät erst ein, wenn das komplette Filtersystem installiert ist. Andernfalls gefährden Sie Ihre Gesundheit.



Staubsauger der Klasse M können zum Aufsaugen von trockenen, nicht brennbaren Stäuben mit Arbeitsplatz-Grenzwerten von $\geq 0,1 \text{ mg/m}^3$ eingesetzt werden.



! WARNUNG:

Der Staubsauger enthält Material, das schädlich für die Gesundheit ist. Lassen Sie das Leeren und Warten, einschließlich der Entsorgung von Staubauffangbehältern, nur von Spezialisten durchführen. Es muss eine angemessene Schutzausrüstung getragen werden. Benutzen Sie den Staubsauger nur mit dem kompletten Filtersystem. Andernfalls gefährden Sie Ihre Gesundheit.

Position der Datumsangabe

Der Datumscode, der das Herstellungsjahr enthält, ist auf das Typenschild gedruckt, das auf dem oberen Gerätegehäuse zu finden ist.

LIEFERUMFANG

- 1 x Patronenfilter HEPA H13
- 2 x Laufrollen
- 2 x Haupträder
- 1 x Behälter
- 1 x Synthetischer Staubbeutel
- 1 x Schlauch 3 m x 39 mm Ø mit Schlauchtülle
- 2 x Verlängerungsrohre
- 1 x Gebogenes Metallrohr
- 1 x Hocheffiziente Bodenbürste
- 1 x Hartbodenbürste
- 1 x Elektrowerkzeug-Adapter
- 1 x Fugendüse/-bürste
- 1 x Bedienungsanleitung
- 1 x Garantiekarte

BESCHREIBUNG DER BESTANDTEILE - (Fig 1.)

- A.** Ein-/Ausschalter
 - B.** Absauggeschwindigkeitsanzeige
 - C.** Rüttler-Taste
 - D.** Tragegriff
 - E.** Patronenfilter HEPA
 - F.** Staubbeutel
 - G.** Behälter
 - H.** Schlauchanschluss am Behälter
 - I.** Flansch des Behälterdeflektors
 - J.** Blausaugungsöffnung
 - K.** Deckel
 - L.** Behälterverschluss
 - M.** Laufrollen
 - N.** Haupträder
 - O.** Bajonettanschluss des Schlauches
 - P.** Schlauch 3 m x 39 mm Ø
 - Q.** Verlängerungsrohre
 - R.** Gebogenes Metallrohr
 - S.** Fugen/Bürstenaufsatz
 - T.** Elektrowerkzeug-Adapter
 - U.** Hartbodenbürste
 - V.** Schlauchtülle
 - W.** Hocheffiziente Bodenbürste
 - X.** Aufbewahrungsplatz am Gerät
- Prüfen Sie Werkzeug, Bestandteile und Zubehör auf Schäden, die während des Transports entstanden sein könnten. Im Behälter können sich Teile und Zubehör befinden.
 - Vor dem Betrieb sollte diese Bedienungsanleitung sorgfältig durchgelesen und verstanden werden.



WARNUNG:

Modifizieren Sie niemals das Gerät oder einen seiner Bestandteile. Dies könnte zu Beschädigungen oder Verletzungen führen.

MONTAGE - (Fig 2.)

Das Zubehör befindet sich im Behälter. Öffnen Sie die drei Verschlüsse am Behälter, entfernen Sie die Motorabdeckung und entnehmen Sie das Zubehör. Drehen Sie den Behälter auf den Kopf, stecken Sie die vorderen Laufrollen ein. Stecken Sie die Haupträder ins Gehäuse, bis sie mit einem Klicken einrasten. Drehen Sie den Behälter wieder richtig herum. Setzen Sie den Staubbeutel ein (siehe Abschnitt zum Einsetzen und Entfernen des Staubbeutels) Stellen Sie sicher, dass die Flügelschraube des Patronenfilters fest angezogen ist. Befestigen Sie den Motor wieder und achten Sie darauf, dass alle drei Behälterverschlüsse geschlossen sind.

Einsetzen des Staubbeutels - (Fig 3.)



- Öffnen Sie die Verschlüsse am Behälter und entfernen Sie den Deckel.
- Der Staubbeutel hat eine mit Pappe verstärkte Öffnung mit einer Lasche an der Oberseite.
- Handhaben Sie den Staubbeutel vorsichtig, um Schäden zu vermeiden und zu verhindern, dass er vom Flansch des Behälterdeflektors oder von anderen scharfkantigen oder vorstehenden Elementen aufgerissen wird oder an diesen hängenbleibt.
- Setzen Sie den Staubbeutel mit der Öffnung auf die Vorderseite des Staubsaugers zeigend in den Behälter ein.
- Ziehen Sie die Öffnung des Staubbeutels über den Flansch des Behälterdeflektors. Die Staubbeutelöffnung muss über die Kante am Deflektor des Behälters geführt werden.
- Der Staubbeutel muss fest an den Deflektor gedrückt werden.
- Falten Sie den Rest des Einwegstaubbeutels nach unten in den Behälter auseinander.



ACHTUNG:

Handhaben Sie den Beutel mit Vorsicht, damit er beim Einsetzen oder Entfernen nicht beschädigt wird.

Entfernen des Staubbeutels - (Fig.4)



Lösen Sie zum Entfernen des Beutels den Behälterschlauch, ziehen Sie den Beutel vom Flansch des Behälterdeflektors. Schließen Sie den Beutel, indem Sie die Lasche umklappen. Entsorgen Sie den Filter in einem geeigneten Behälter, der die entsprechenden gesetzlichen Auflagen erfüllt. Es ist angebracht, den

Beutel regelmäßig auszuwechseln, um eine optimale Kühlung des Motors zu gewährleisten. Wenn der Staubsauger ohne Papierstaubbeutel verwendet wird, empfiehlt es sich, den Staubbehälter nach jedem Gebrauch zu entleeren und zu reinigen.

 **Der Staubbeutel muss ersetzt werden, wenn die Absauggeschwindigkeitsanzeige dauerhaft rot anzeigt.**


Anbringen des Schlauchs, der Düsen und Rohre - (Fig.5,5a) 

- Befestigen Sie den Schlauch am Behälter, indem Sie den Schlauch mit dem Bajonettanschluss in den Schlauchanschluss am Behälter schieben. Stellen Sie sicher, dass die Bajonettflaschen senkrecht sind und drehen Sie den Bajonettanschluss zum Befestigen im Uhrzeigersinn. Drehen Sie den Schlauch mit dem Bajonettanschluss zum Entfernen gegen den Uhrzeigersinn und ziehen Sie ihn aus der Anschlussöffnung.
- Die Tüllen sind ein Schiebeseit an den Verlängerungsrohren. Drehen Sie die Tüllen zum Entfernen in die entgegengesetzte Richtung und ziehen Sie sie auseinander.
- Verwenden Sie für Teppiche die Universaltülle.
- Stecken Sie für Böden den Bürsteneinsatz in die Universaltülle.

Einsetzen/Entfernen des Patronenfilters - (Fig.6)

- Die Filterpatrone muss vollständig eingeschoben werden und wird durch Drehen der Flügelmutter im Uhrzeigersinn fixiert. Vergewissern Sie sich, dass sie korrekt sitzt.

Drehen Sie zum Entfernen des Patronenfilters die Flügelmutter gegen den Uhrzeigersinn und ziehen Sie ihn heraus. Die Dichtung um die Befestigungsschraube muss an ihrem Platz sein.

 **Prüfen Sie vor dem Gebrauch des Geräts stets, dass alle beiliegenden Filter korrekt positioniert sind.**



BETRIEB

Inbetriebnahme 

Beachten Sie die korrekte Netzspannung! Die Spannung der Stromquelle muss mit der vom Hersteller auf dem Typenschild angegebenen Spannung übereinstimmen. Geräte, die mit 230 V gekennzeichnet sind, können auch mit 220 V betrieben werden. Bitte lesen Sie die HSE-Richtlinien.

- Das Gerät muss immer sicher und stabil auf waagerechten Untergrund gestellt werden.
- Setzen Sie die dem jeweiligen Zweck entsprechenden Filter ein.
- Benutzen Sie das Gerät nie ohne Filter.
- Verwenden Sie das für die geplante Anwendung am besten geeignete Zubehör.

Der Staubsauger darf generell nicht in Räumen benutzt werden, in denen die Gefahr einer Explosion besteht. Um Strom zu sparen, schalten Sie den Staubsauger nur ein, wenn Sie ihn benutzen.

Tägliches Saugen 

Benutzen Sie das Gerät nie ohne den Polyurethan-Schaumfilter, den Patronenfilter oder den Staubbeutel.

- Setzen Sie die Patrone ein und fixieren Sie sie mit der Flügelsschraube.
- Drücken Sie den Knopf nach unten, um den Staubsauger einzuschalten.

Drücken Sie zum Ausschalten des Staubsaugers den Knopf nach unten, um ihn zu lösen.

Wenn die Absauggeschwindigkeitsanzeige rot ist, halten Sie die Filtrerrüttler-Taste für 3 Sekunden gedrückt. (Gerät/Absaugung muss aktiviert sein.) Die Filtrerrüttler-Funktion ist weitere 5 Sekunden aktiv, nachdem Sie die Taste losgelassen haben. Wenn die Anzeige nur rot wird, wenn Sie das Gerät mit einem Elektrowerkzeug verbinden, prüfen Sie, ob eventuell die Absaugtüllen des Werkzeugs und des Schlauchs blockiert sind. Falls keine Blockade vorliegt, kann das Gerät benutzt werden. Prüfen Sie regelmäßig den Durchfluss, indem Sie den Absaugschlauch abnehmen.

Falls die Anzeige fortlaufend rot ist, ist möglicherweise der Staubbeutel voll und muss ausgewechselt werden. Siehe Filter

HINWEIS: Es muss eine angemessene Belüftungsintensität (M) sichergestellt werden, damit die Abluft frei zirkulieren kann. Beachten Sie die jeweiligen nationalen Vorschriften.

Blasfunktion - (Fig 7.)



ACHTUNG:

Diese Funktion ist nicht verfügbar, wenn das Gerät zum Trockensaugen von schädlichem Staub eingesetzt wird.

Entfernen Sie den Schlauch aus der Anschlussöffnung und stecken Sie dann den Schlauch mit der Bajonettkappe in die Blausaugungsöffnung auf der Innenseite des Deckels.

Wenn die Arbeit abgeschlossen ist, schalten Sie das Gerät aus und ziehen Sie den Stecker aus der Steckdose.

Verstauen Sie den Staubsauger nach dem Gebrauch sorgfältig.

WARTUNG UND REPERATUR

Bitte verwenden Sie nur Original-Ersatz- und Zubehörteile von Trend.

- Bevor Sie Arbeiten am Staubsauger vornehmen, trennen Sie das Gerät von der Stromversorgung.
- Für einen sicheren Gebrauch und um zu gewährleisten, dass das Gerät einwandfrei funktioniert, halten Sie den Staubsauger und die Lüftungsschlitze stets sauber.
- Tragen Sie eine Staubschutzmaske, wenn Sie den Staubsauger reinigen und warten.
- Aus Sicherheitsgründen darf das Stromkabel nur von Trend oder einem Trend Service-Partner ersetzt werden, falls dies erforderlich ist.
- Eine technische Prüfung muss mindestens einmal pro Jahr vom Hersteller oder einer hierzu beauftragten Person durchgeführt werden, z. B. auf Schäden am Filter, Dichtigkeit des Staubsaugers und Funktion der Bedieneinheit.
- Bei Staubsaugern der Klasse M, die in kontaminierten Umgebungen eingesetzt wurden, sollten die Außenseite sowie alle Maschinenteile gereinigt oder mit Dichtungsmitteln behandelt werden.
- Bei Wartungsarbeiten und Reparaturen müssen alle kontaminierten Komponenten, die nicht zufriedenstellend gereinigt werden können, entsorgt werden.
- Solche Komponenten müssen in undurchlässigen Plastikbeuteln, die die geltenden nationalen Vorschriften für die Entsorgung dieses Abfalls erfüllen, entsorgt werden.
- Für die Benutzerwartung muss die Maschine, soweit zumutbar, zerlegt, gereinigt und gewartet werden, ohne das Wartungspersonal und andere zu gefährden. Es sind angemessene Sicherheitsvorkehrungen zu

treffen, einschließlich der Dekontaminierung, vor dem Zerlegen; Bereitstellung einer gefilterten Entlüftung dort, wo die Maschine zerlegt wird; Reinigung des Wartungsbereichs und geeignete persönliche Schutzausrüstungen.

- Die Methode, mit der Abdeckungen von nicht staubdichten Fächern zum Reinigen entfernt werden sollten.
- Die Außenseite der Maschine wird zur Dekontaminierung abgesaugt und sauber gewischt oder mit einem Dichtungsmittel behandelt, bevor die Maschine aus einem Gefahrenbereich entfernt wird. Alle Maschinenteile müssen als kontaminiert betrachtet werden, wenn die Maschine aus einem Gefahrenbereich entfernt wird, und es müssen angemessene Vorkehrungen getroffen werden, um die Ausbreitung von Staub zu verhindern.
- Bediener sollten alle Sicherheitsbestimmungen in Bezug auf das zu verarbeitende Material beachten.

Für Wartungsarbeiten, die im Auftrag des Benutzers durchgeführt werden, muss der Staubsauger zerlegt, gereinigt und soweit wie möglich gewartet werden, ohne das Wartungspersonal oder andere zu gefährden. Vor dem Zerlegen muss der Staubsauger gereinigt werden, um Risiken vorzubeugen. Der Raum, in dem der Staubsauger zerlegt wird, muss gut belüftet sein. Während der Wartung ist eine persönliche Schutzausrüstung zu tragen. Nach der Wartung des Geräts muss der Wartungsbereich gereinigt werden.

Reinigung



WARNUNG:

Verwenden Sie niemals Lösungsmittel oder andere aggressive Chemikalien zum Reinigen der nicht-metallischen Teile des Geräts. Diese Chemikalien können das Material dieser Teile angreifen. Lassen Sie niemals Flüssigkeit in die Maschine gelangen; tauchen Sie niemals einen Teil des Geräts in eine Flüssigkeit.

- Saugen Sie die Außenseite des Staubextraktors ab. Wischen Sie die Außenseite der Maschine mit einem trockenen Tuch ab.
- Entsorgen Sie das Tuch anschließend in einem geeigneten Behälter.

Patronenfilter - (Fig 8.)

Der Patronenfilter (nur die Außenseite) sollte regelmäßig unter laufendem Wasserhahn abgespült werden, um Beschädigungen der Filteroberfläche zu vermeiden. Es wird jedoch empfohlen, diesen Filter alle sechs Monate oder entsprechend der Häufigkeit der Benutzung und der Art des Schmutzes zu ersetzen.



WARNUNG:

Prüfen Sie, ob der Filter weiter benutzt werden kann, nachdem Sie ihn gereinigt haben. Falls er beschädigt wurde, ersetzen Sie ihn durch einen Original-Filter.

Schmierung

- Ihr Gerät muss nicht zusätzlich geschmiert werden.

Lagerung

- Entleeren Sie den Behälter. Reinigen Sie den Staubsauger von innen und außen - siehe Abschnitt Reinigung
- Reinigen oder ersetzen Sie die Filter - siehe Abschnitt Filter.
- Um Rückenbeschwerden zu vermeiden, entfernen Sie einen vollen Einwegstaubbeutel oder gießen Sie die aufgesaugte Flüssigkeit aus, bevor Sie den Staubsauger transportieren.
- Wickeln Sie das Kabel um den Tragegriff und den Absaugschlauch um den Behälter.
- Tragen Sie den Staubsauger nur am Tragegriff.
- Lagern Sie das Gerät und das Zubehör an einem sicheren Ort.
- Stellen Sie das Gerät und das Zubehör in einen trockenen Raum und sichern Sie alles gegen unerlaubten Gebrauch. Lagern Sie das Gerät und Zubehör außer Reichweite von Kindern.

UMWELTSCHUTZ



Recyceln Sie Rohmaterialien, anstatt sie als Müll zu entsorgen.

Zubehör und Verpackung sollten für ein umweltfreundliches Recycling sortiert werden.



Separate Sammlung. Dieses Produkt darf nicht mit dem normalen Hausabfall entsorgt werden.

Private Benutzer

Regionale Vorschriften können die getrennte Sammlung von Elektroprodukten verlangen. Diese Geräte müssen bei städtischen Deponien entsorgt oder beim Kauf eines neuen Produkts zu dem Fachhändler zurückgebracht werden. Rufen Sie den Kundendienst von Trend an, um Rat in Bezug auf die Entsorgung von elektrischen Trend Produkten auf umweltgerechte Weise zu erhalten, oder besuchen Sie www.trend-uk.com

Gewerbliche Benutzer

Rufen Sie für die Entsorgung von elektrischen Trend Produkten den Kundendienst von Trend an.

GARANTIE

Dieses Gerät wird mit einer Herstellergarantie geliefert. Weitere Informationen finden Sie auf der Website.

Bedingungen versehen. Um den nächstgelegenen Trend Service-Partner zu finden, rufen Sie bitte den Trend-Kundendienst an oder nutzen Sie unsere Fachhändler-Suche auf www.trend-uk.com.

ZUBEHÖR

Bitte verwenden Sie nur Original-Zubehör von Trend.

Sämtliches Zubehör kann von Trend Fachhändlern bezogen werden. Um einen Trend Fachhändler in Ihrer Nähe zu finden, besuchen Sie bitte www.trend-uk.com.

Filterbeutel

Nur für den trockenen Gebrauch

Artikel-Nr. T32/1	1 aus
Artikel-Nr. T32/1/5	5 aus
Artikel-Nr. T32/1/10	10 aus

Patronenfilter HEPA

Artikel-Nr. T32/2	1 aus
-------------------	-------

FR - T32

Cher client, chère cliente,

Nous vous remercions d'avoir choisi ce produit Trend et vous souhaitons de nombreuses années d'utilisation créative et productive.

N'oubliez pas de retourner votre carte de garantie dans un délai de 28 jours à compter de la date d'achat.



ATTENTION:

Lisez les consignes avant d'utiliser l'appareil

Définitions : Consignes de sécurité

Les définitions ci-dessous décrivent le niveau de sévérité pour chaque indication de danger. Veuillez lire le manuel et prêter attention à ces symboles.

Les symboles suivants sont utilisés dans ce manuel:



AVERTISSEMENT:

Indique une situation dangereuse potentielle qui, si elle n'est pas évitée, peut entraîner la mort ou des blessures graves.



ATTENTION:

Indique une situation dangereuse potentielle qui, si elle n'est pas évitée, peut entraîner des blessures légères ou modérées.

AVIS: Indique une pratique non liée à des blessures corporelles mais qui, si elle n'est pas évitée, peut entraîner des dommages matériels.



Indique un risque de décharge électrique.



Indique un risque d'incendie.

Symboles supplémentaires utilisés



Portez des équipements de protection individuelle (EPI). Le port d'une protection auditive, oculaire et respiratoire est obligatoire.



Indique un risque de blessures corporelles, un danger de mort ou une détérioration de l'outil en cas de non-respect des consignes du présent manuel.



Pour toute demande de conseils de sécurité supplémentaires, d'informations techniques ou de pièces détachées, veuillez contacter l'assistance technique Trend ou rendez-vous sur le site www.trend-uk.com

DÉCLARATION DE CONFORMITÉ CE

DIRECTIVE MACHINES



ASPIRATEUR

T32

TTrend déclare que le produit décrit dans les Données techniques est conforme à la norme 2006/42/CE.

TLLe présent produit est également conforme aux Directives 2014/35/EU, 2014/30/EU, 2011/65/EU, EU666, 2009/125/EC, 1275/2009/EC ainsi qu'aux normes harmonisées

EN 60335-1, EN 60335-2-69, EN 62233:2008,

EN 55014-1:2017,

EN 55014-2:2015, EN 61000-3-2:2014,

EN 61000-3-3:2013.

Pour plus d'informations, veuillez contacter Trend à l'adresse suivante ou consultez le dos du manuel. Le soussigné fait cette déclaration pour le compte de Trend Machinery & Cutting Tools Ltd.

Directeur technique
Neil McMillan

Trend Machinery & Cutting Tools Ltd
Unit 6 Odhams Trading Estate
St Albans Road, Watford
Herts, WD24 7TR
Royaume-Uni
25.02.2020

**ASPIRATEUR
T32
DONNÉES TECHNIQUES**

Tension	Royaume-Uni et Irlande Europe	V_{AC}	230/115
		V_{AC}	230
Puissance d'entrée	230v 115v	W	800
		W	800
Fréquence		Hz	50
Débit		l/s	20
Aspiration max.		mbar	146
Surface du filtre	HEPA	cmq	1850
Pression négative		K_{PA}	14,6
Catégorie de poussière			M
Contenu du sac de collecte		L	15
Réservoir		L	20
Bruit			80
Tuyau	Longueur Diamètre extérieur	M	3
		mm	39
Dimensions	Hauteur x largeur	mm	492 x 375
Poids		kg	6,5kg
Vibration		m/s^2	$\leq 2,5$
L_{PA}	(niveau de pression acoustique d'émission)	dB(A)	≤ 70
K_{PA}	(incertitude pour le niveau acoustique donné)	dB(A)	1,5
L_{WA}	(niveau de puissance acoustique)	dB(A)	80
K_{WA}	(incertitude pour le niveau acoustique donné)	dB(A)	1,5

Fusibles		
Royaume-Uni et Irlande	Outils 230 V	13 Ampères, dans la fiche
Royaume-Uni et Irlande	Outils 115 V	16 Ampères, secteur
Europe	Outils 230 V	16 Ampères, secteur

UTILISATION PRÉVUE

Cet appareil est destiné à la collecte, à l'aspiration, à l'acheminement et à la séparation de poussières sèches non inflammables ainsi que de liquides et de mélanges

eau-air non inflammables. Cet aspirateur à poussière de classe M est destiné à une utilisation professionnelle. Il est adapté aux commerces et aux ateliers.

Conformément à la norme IEC/EN 60335-2-69, l'aspiration de poussières de catégorie M peut uniquement être utilisée pour l'aspiration et l'extraction de poussières nocives avec une valeur limite d'exposition $\geq 0,1$ mg/m³. Utilisez l'aspirateur uniquement si vous comprenez complètement et pouvez utiliser toutes les fonctions sans limitation ou si vous avez reçu des instructions appropriées.

Cet appareil convient à une utilisation commerciale, par exemple dans les hôtels, les écoles, les usines, les magasins et les bureaux.

L'appareil est destiné à être utilisé en tant qu'aspirateur à sec uniquement.

NE laissez PAS les enfants toucher cet appareil. Les opérateurs inexpérimentés doivent être surveillés lors de l'utilisation de cet appareil.



AVERTISSEMENT: assurez-vous que tous les filtres sont installés.

AVERTISSEMENT: Les opérateurs doivent recevoir des instructions appropriées sur l'utilisation de ces appareils.

AVERTISSEMENT: Ne laissez pas le cordon d'alimentation entrer en contact avec les brosses rotatives.

AVERTISSEMENT: Cet appareil est destiné à une utilisation à sec uniquement.

AVERTISSEMENT: Cet appareil n'est pas destiné à collecter des poussières dangereuses.

AVERTISSEMENT: L'appareil doit être débranché de sa source d'alimentation électrique pendant le nettoyage ou l'entretien et lors du remplacement de pièces ou de la conversion de l'appareil à une autre fonction pour les appareils alimentés sur secteur, en retirant la fiche de la prise électrique.

AVERTISSEMENT: Les enfants doivent être surveillés pour s'assurer qu'ils ne jouent pas avec l'appareil.

ATTENTION: Cet appareil est destiné à une utilisation à l'intérieur uniquement.

ATTENTION: Cet appareil doit être rangé à l'intérieur uniquement.

ATTENTION: Ne surchargez pas l'aspiration.

ATTENTION: Nettoyez les filtres tous les jours.

ATTENTION: Ne remplissez pas trop le sac.

N'utilisez **PAS** l'aspirateur sur des poussières combustibles.

N'utilisez **PAS** l'aspirateur dans des atmosphères explosives. Ce produit n'est pas prévu pour être utilisé par les personnes (y compris les enfants) ayant des capacités physiques, sensorielles ou mentales réduites ; ou dont l'expérience, les connaissances et les compétences sont insuffisantes, à moins qu'elles ne soient surveillées par une personne responsable de leur sécurité. Les enfants ne doivent jamais être laissés seuls avec ce produit.

Sécurité Électrique

Alimentation électrique



AVERTISSEMENT:

Avant toute intervention d'entretien, isolez la fiche secteur de la source d'alimentation électrique

Le moteur électrique a été conçu pour une seule tension. Vérifiez toujours que l'alimentation électrique corresponde à la tension sur la plaque signalétique. Les appareils conçus pour une tension de 230 V peuvent également fonctionner à partir d'une alimentation 220 V. L'aspirateur est équipé en usine d'un cordon/câble d'alimentation électrique secteur, doté d'une fiche de mise à la terre. Il doit uniquement être branché à une prise de terre homologuée.

Utilisation d'une rallonge

- Si une rallonge est nécessaire, utilisez une rallonge à trois conducteurs homologuée et compatible avec la puissance d'entrée de cet outil (voir les données techniques). La taille minimale du conducteur est 1,5 mm², la longueur maximale est 30 m.
- Lorsque vous utilisez un enrouleur de câble, déroulez toujours complètement le câble.



AVERTISSEMENT:

Les unités 115 V doivent fonctionner via un transformateur d'isolement de sécurité avec un blindage de terre entre l'enroulement primaire et l'enroulement secondaire.



AVERTISSEMENT:

Pour réduire le risque de blessures, lisez le mode d'emploi.

SÉCURITÉ RELATIVE AU NETTOYAGE PAR ASPIRATION

Consignes de sécurité importantes



AVERTISSEMENT!

Lisez tous les avertissements de sécurité et toutes les consignes. Le non-respect des avertissements et des consignes peut entraîner un risque de décharge électrique, d'incendie et/ou de blessures graves.

CONSERVEZ TOUS LES AVERTISSEMENTS ET TOUTES LES CONSIGNES POUR CONSULTATION ULTÉRIEURE. AVANT D'UTILISER L'APPAREIL, LISEZ ET RESPECTEZ TOUTES LES CONSIGNES.



AVERTISSEMENT:

Les opérateurs doivent recevoir des instructions appropriées sur l'utilisation de ces appareils.



AVERTISSEMENT:

Pour réduire le risque de décharge électrique. N'exposez pas l'appareil à la pluie. Rangez l'appareil à l'intérieur.

- Pour utilisation à sec uniquement.
- Les éléments utilisés pour l'emballage (par exemple les sachets en plastique) peuvent être dangereux, maintenez-les à l'écart des enfants et des animaux.
- Les opérateurs doivent recevoir des instructions appropriées sur l'utilisation de cet appareil.
- Avant utilisation, les opérateurs doivent recevoir des informations, des instructions et une formation concernant l'utilisation de l'appareil et les substances pour lesquelles il doit être utilisé, dont la méthode sûre de retrait et de mise au rebut des matières collectées.
- Les opérateurs doivent respecter les règles de sécurité applicables aux matières manipulées.
- Ne laissez jamais l'équipement sans surveillance lorsque vous l'utilisez. Ne laissez pas l'appareil branché à une source d'alimentation électrique. Débranchez-le de la prise lorsque vous ne l'utilisez pas et avant d'effectuer son entretien. Désactivez toutes les commandes avant de débrancher l'appareil.
- L'appareil ne doit pas être utilisé par des enfants ou des personnes aux capacités physiques, sensorielles ou mentales réduites ou manquant d'expérience et de connaissances, sauf s'ils sont surveillés ou ont reçu des instructions.
- Les enfants ne doivent pas jouer avec l'appareil, ce

n'est pas un jouet.

- Utilisez cet appareil uniquement comme décrit dans le manuel.
- L'utilisation de cet appareil à des fins non spécifiées dans ce manuel peut être dangereuse et doit être évitée.
- Utilisez uniquement la prise électrique de l'appareil aux fins spécifiées dans le mode d'emploi.
- Contrôlez toujours l'appareil avant utilisation.
- L'embout d'aspiration doit être maintenu à l'écart du corps, en particulier des zones sensibles telles que les yeux, les oreilles et la bouche.
- Ne débranchez pas cet appareil en tirant sur le cordon d'alimentation. Pour débrancher, saisissez la fiche et non le cordon d'alimentation.
- Ne tirez pas et ne portez pas cet appareil par le cordon d'alimentation. N'utilisez pas le cordon d'alimentation comme une poignée, ne fermez pas les portes sur le cordon d'alimentation et ne tirez pas le cordon d'alimentation autour de bords ou de coins tranchants.
 - Ne faites pas passer l'appareil sur le cordon d'alimentation. Maintenez le cordon d'alimentation à l'écart des surfaces chaudes.
 - Ne manipulez pas la fiche ou l'appareil et ne saisissez pas le cordon d'alimentation avec les mains mouillées.
- Ne mettez pas d'objets dans les ouvertures de l'appareil. N'utilisez pas l'appareil avec une ouverture bloquée. Maintenez les ouvertures exemptes de poussières, de peluches, de cheveux et de tout autre élément susceptible de réduire le flux d'air et causer un blocage.
- Maintenez les cheveux, les vêtements amples, les doigts et toutes les parties du corps à l'écart des ouvertures et des pièces mobiles de l'appareil.
- Des décharges statiques sont possibles dans des lieux secs ou lorsque l'humidité relative de l'air est faible. Cela est uniquement temporaire et n'affecte pas l'utilisation de l'aspirateur. Pour réduire la fréquence des décharges statiques, ajoutez de l'humidité dans l'air avec une console ou un humidificateur.
- Pour éviter toute combustion spontanée, videz le réservoir après chaque utilisation.
- Faites particulièrement attention en nettoyant des escaliers.
- L'équipement doit être correctement assemblé avant utilisation.
- Assurez-vous que les prises de courant utilisées sont adéquates pour l'appareil.
- Vérifiez que la tension indiquée sur la plaque signalétique est identique à la tension de l'alimentation électrique.
- Ces appareils ne sont pas destinés à aspirer des poussières nocives pour la santé ou des substances

inflammables/explosives (telles que les cendres et la suie).

- N'effectuez jamais l'entretien de l'appareil sans l'avoir d'abord débranché de l'alimentation secteur ou lorsqu'il est sans surveillance ou accessible par des enfants ou des personnes handicapées.
- L'appareil ne doit jamais être immergé et n'utilisez jamais un jet d'eau sur l'appareil pour le nettoyer.
- Vérifiez régulièrement que le cordon d'alimentation et l'appareil ne sont pas endommagés. Si l'appareil est endommagé, ne l'utilisez pas mais contactez votre centre de service pour solliciter une réparation.
- Si le cordon d'alimentation électrique est endommagé, il doit être remplacé par le fabricant, ses centres de service ou des personnes aux qualifications similaires pour éviter tout danger.
- Si une rallonge est utilisée, la fiche et la prise doivent avoir une structure étanche à l'eau.
- Si l'appareil se renverse, il est recommandé de le remettre en position verticale avant de l'éteindre.
- L'équipement ne doit pas être utilisé pour aspirer l'eau des récipients, des sanitaires, des baignoires, etc.
- Les détergents et les solvants agressifs ne doivent pas être utilisés.
- L'entretien et les réparations doivent uniquement être effectués par du personnel qualifié. Utilisez uniquement des pièces de rechange Trend d'origine pour l'entretien et les réparations.
- Le fabricant ne peut pas être tenu responsable en cas de dommages/blessures causé(e)s aux personnes, aux animaux ou aux biens en raison d'une mauvaise utilisation de l'appareil.
- Utilisez uniquement des accessoires recommandés par Trend et des pièces de rechange Trend d'origine.

CONSERVEZ CES INSTRUCTIONS

Règles de sécurité supplémentaires



AVERTISSEMENT:

Cet appareil contient des poussières nocives. Le vidage et l'entretien, y compris le retrait du sac de collecte, ne peuvent être effectués que par du personnel formé portant un équipement de protection adéquat. Ne l'allumez pas tant que le système de filtres complet n'a pas été installé. Dans le cas contraire, vous mettez votre santé en danger.

- Ne collectez rien qui brûle ou fume, comme des

chandres chaudes, des allumettes ou des cigarettes.

- Ne l'utilisez pas pour aspirer des matières combustibles ou explosives, telles que des grains, du charbon ou d'autres matières combustibles finement divisées.
- Ne l'utilisez pas pour aspirer des matières dangereuses, toxiques ou cancérogènes, telles que de l'amiante ou des pesticides.
- Ne collectez jamais de liquides explosifs (tels que du diluant pour peinture, de l'essence, du gazole, de l'huile de chauffage, etc.), d'acides ou de solvants.
- N'utilisez pas l'aspirateur sans les filtres en place, sauf comme expliqué dans la section Aspiration de liquides de ce manuel.
- Certains bois contiennent des produits de conservation qui peuvent être toxiques. Faites particulièrement attention pour éviter toute inhalation et tout contact avec la peau lorsque vous travaillez avec ces matières. Demandez et respectez les informations de sécurité disponibles auprès des fournisseurs de ces matières.
- N'utilisez pas l'aspirateur comme un siège, une échelle ou un escabeau.
- Ne placez pas d'objets lourds sur l'aspirateur.
- Ne suspendez pas l'aspirateur, par exemple pour le transporter.



Portez des équipements de protection individuelle (EPI). Le port d'une protection auditive, oculaire et respiratoire est obligatoire.

RISQUES RÉSIDUELS

Malgré l'application des mesures de sécurité applicables et l'utilisation de dispositifs de sécurité, certains risques résiduels ne peuvent pas être évités.

Ces risques sont les suivants:-

- Trouble auditif.
- Risque de blessures corporelles en raison des particules volantes.
- Risque de brûlures en raison de l'échauffement des accessoires lors du fonctionnement.
- Risque de blessures corporelles en raison d'une utilisation prolongée.

MARQUAGES SUR L'OUTIL

Les images suivantes sont présentes sur l'appareil.



Lisez le mode d'emploi avant utilisation.



AVERTISSEMENT: Cet appareil contient des poussières nocives. Le vidage et l'entretien, y compris le retrait du sac de collecte, ne peuvent être effectués que par du personnel formé portant un équipement de protection adéquat. Ne l'allumez pas tant que le système de filtres complet n'a pas été installé. Dans le cas contraire, vous mettez votre santé en danger.



Les aspirateurs de classe M conviennent à l'aspiration de poussières sèches, non combustibles avec des valeurs limites d'exposition professionnelle $\geq 0,1$ mg/m³.



AVERTISSEMENT: L'aspirateur contient des matériaux dangereux pour la santé. Faites réaliser le vidage et l'entretien, y compris la mise au rebut des réservoirs de collecte des poussières, uniquement par des spécialistes. Des équipements de protection appropriés sont requis. N'utilisez pas l'aspirateur sans le système de filtres complet. Dans le cas contraire, vous mettez votre santé en danger.

Position du code de date

Le code de date, qui comprend l'année de fabrication, est imprimé sur la plaque signalétique se trouvant sur le boîtier supérieur de l'appareil.

ÉLÉMENTS INCLUS

- 1 x Filtre à cartouche HEPA H13
- 2 x Roulettes
- 2 x Roues principales
- 1 x Réservoir
- 1 x Sac de collecte synthétique
- 1 x Tuyau 3 m x 39 mm Ø avec embout de tuyau
- 2 x Tubes de rallonge
- 1 x Tube métallique incurvé
- 1 x Brosse pour sols à haute efficacité
- 1 x Brosse pour sols durs
- 1 x Adaptateur pour outil électrique
- 1 x Embout/Brosse plate
- 1 x Manuel
- 1 x Carte de garantie

DESCRIPTION DES PIÈCES - (Fig 1.)

- A. Interrupteur MARCHÉ/ARRÊT
 - B. Moniteur de rapidité d'extraction
 - C. Bouton du secoue-filtre
 - D. Poignée de transport
 - E. Filtre à cartouche HEPA
 - F. Sac de collecte
 - G. Réservoir
 - H. Entrée du tuyau du réservoir
 - I. Bride du déflecteur du réservoir
 - J. Sortie de soufflage
 - K. Couvercle
 - L. Loquet du réservoir
 - M. Roulettes
 - N. Roues principales
 - O. Raccord à baïonnette du tuyau
 - P. Tuyau 3 m x 39 mm Ø
 - Q. Tubes de rallonge
 - R. Tube métallique incurvé
 - S. Embout/Brosse plate
 - T. Adaptateur pour outil électrique
 - U. Brosse pour sols durs
 - V. Embout de tuyau
 - W. Brosse pour sols à haute efficacité
 - X. Emplacements de rangement intégrés
- Vérifiez que l'outil, les pièces ou les accessoires ne présentent pas de dommages liés au transport. Les pièces et les accessoires peuvent être à l'intérieur du réservoir.
 - Prenez le temps de lire attentivement ce manuel et de le comprendre avant utilisation.



AVERTISSEMENT:

Ne modifiez jamais tout ou partie de l'appareil. Cela pourrait causer des dommages ou des blessures corporelles.

ASSEMBLAGE - (Fig 2.)



Les accessoires sont fixés à l'intérieur du réservoir. Défaites les trois loquets du réservoir, retirez le couvercle du moteur, retirez les accessoires. Retournez le réservoir, insérez les roulettes avant. Localisez les roues principales et enclenchez-les pour les verrouiller en place. Retournez le réservoir en position verticale. Installez le sac de collecte (voir la section Insertion et retrait du sac de collecte). Assurez-vous que la vis papillon du filtre à cartouche est serrée. Réinstallez le moteur et assurez-vous que les trois loquets du réservoir sont fixés.

Insertion du sac de collecte - (Fig 3.)



- Déverrouillez les loquets du réservoir et retirez le couvercle.
- Le sac de collecte dispose d'une ouverture renforcée en carton avec une languette sur la partie supérieure.
- Assurez-vous de manipuler le sac de collecte avec soin pour ne pas l'endommager et pour éviter qu'il soit coincé ou déchiré par la bride du déflecteur du réservoir ou d'autres projections ou objets tranchants.
- Insérez le sac de collecte dans le réservoir avec l'ouverture orientée vers l'avant de l'aspirateur.
- Tirez l'ouverture du sac de collecte sur la bride du déflecteur du réservoir en vous assurant que l'ouverture du sac de collecte passe sur l'arête du déflecteur du réservoir.
- Assurez-vous que le sac de collecte est bien enfoncé.
- Dépliez le reste du sac de collecte vers le bas dans le réservoir.



ATTENTION:

Faites attention au sac pour vous assurer qu'il ne soit pas endommagé en l'installant ou en le retirant.

Retrait du sac de collecte - (Fig.4)



Pour enlever le sac, défaites le tuyau du réservoir et retirez le sac de la bride du déflecteur du réservoir. Fermez le sac en rabattant la languette. Jetez le filtre dans un conteneur approprié conformément aux lois applicables. Il est cependant judicieux de remplacer régulièrement le sac pour garantir un refroidissement optimal du moteur. Si l'aspirateur est utilisé sans le sac à poussière en papier, il est recommandé de vider le réservoir à poussière et de le nettoyer après chaque utilisation.



Le sac de collecte doit être remplacé lorsque le moniteur de rapidité d'extraction devient rouge et reste rouge.

Montage du tuyau, des embouts et des tubes - (Fig.5,5a)

- Raccordez le tuyau au réservoir en enfonçant le tuyau avec le raccord à baïonnette dans l'entrée du tuyau du réservoir en vous assurant que les pattes de la

baïonnette sont verticales et tournez dans le sens des aiguilles d'une montre pour le verrouiller. Pour retirer le tuyau, tournez le tuyau avec le raccord à baïonnette dans le sens inverse des aiguilles d'une montre pour le retirer de l'entrée.

- Les embouts s'enclenchent sur les tubes de rallonge. Pour retirer les embouts, tournez les éléments dans la direction opposée et séparez-les.
- Pour les tapis, utilisez l'embout universel.
- Pour les sols, clipsez l'insert de l'embout de la brosse dans l'embout universel.

Installation/retrait du filtre à cartouche - (Fig.6)

- Le filtre à cartouche doit être complètement enfoncé et fixé en tournant l'écrou papillon dans le sens des aiguilles d'une montre. Vérifiez qu'il est installé correctement.

Afin de retirer le filtre à cartouche, tournez l'écrou papillon dans le sens inverse des aiguilles d'une montre et retirez le filtre à cartouche. Assurez-vous que le joint autour de la vis de retenue est en place.

 **Avant d'utiliser l'appareil, vérifiez toujours que tous les filtres fournis sont bien positionnés.**

FONCTIONNEMENT



Début du fonctionnement

Respectez la tension secteur appropriée! La tension de la source d'alimentation électrique doit correspondre à celle indiquée sur la plaque signalétique de l'aspirateur. Un équipement portant la marque 230 V peut également fonctionner avec une tension de 220 V. Veuillez consulter les directives HSE concernant la manipulation des matières dangereuses pour la santé.

- L'appareil doit toujours être maintenu sur des bases horizontales, de manière sûre et stable.
- Insérez les filtres appropriés pour l'utilisation envisagée.
- N'utilisez jamais l'appareil sans les filtres.
- Utilisez les accessoires les plus appropriés pour l'utilisation envisagée.

L'aspirateur ne peut généralement pas être utilisé dans des pièces où un risque d'explosion existe. Pour économiser l'énergie, allumez l'aspirateur uniquement lorsque vous l'utilisez.

Aspiration

N'utilisez jamais l'appareil sans le filtre en mousse de polyuréthane, le filtre à cartouche ou le sac de collecte.

- Installez la cartouche et verrouillez-la en position avec la vis papillon.
- Pour allumer l'aspirateur, appuyez sur le bouton.
- Pour éteindre l'aspirateur, appuyez sur le bouton pour le relâcher.

Si le moniteur de rapidité d'extraction est rouge, appuyez et maintenez le bouton du secoue-filtre enfoncé pendant 3 secondes (L'appareil/l'extraction doivent être en marche). La fonction de secoue-filtre se poursuit pendant 5 secondes supplémentaires après avoir relâché le bouton. Si le moniteur devient rouge uniquement lors du raccordement à un outil électrique, assurez-vous que les embouts d'extraction de l'outil et du tuyau ne sont pas bloqués. S'il est transparent, il peut être utilisé. Vérifiez régulièrement le débit en retirant le tuyau d'extraction.

Si le moniteur rouge persiste, le sac à poussière peut être plein et doit être remplacé. Contrôlez le filtre

REMARQUE : Un débit de ventilation (M) adéquat doit être assuré lorsque l'air sortant circule. Respectez les réglementations nationales applicables.

Fonction de soufflage - (Fig 7.)

ATTENTION:

Fonction non utilisable si l'appareil est utilisé pour aspirer à sec des poussières nocives.

Retirez le tuyau de l'entrée puis insérez le tuyau avec l'embout à baïonnette du tuyau dans la sortie de soufflage située sur la partie supérieure de l'intérieur du couvercle. Lorsque l'activité est terminée, éteignez et isolez la fiche de la prise.

Après utilisation, rangez soigneusement l'aspirateur.

ENTRETIEN ET SERVICE

- Avant toute intervention sur l'aspirateur, isolez-le de l'alimentation électrique.
- Pour une utilisation sûre et pour garantir le fonctionnement correct de l'appareil, maintenez toujours l'aspirateur et les fentes de ventilation propres.
- Portez un masque de protection anti-poussières

lorsque vous entretenez et nettoyez l'aspirateur.

- Si le remplacement du câble d'alimentation est nécessaire, il doit être effectué par Trend ou un agent de service Trend afin d'éviter tout risque de sécurité.
- Une inspection technique relative à la poussière doit être menée au moins une fois par an par le fabricant ou une personne formée, par exemple pour vérifier les dommages du filtre, l'étanchéité contre les fuites de l'aspirateur et le fonctionnement de l'unité de commande.
- Pour les aspirateurs de catégorie M ayant été exposés à des environnements contaminés, l'extérieur ainsi que toutes les pièces de l'appareil doivent être nettoyés ou traités avec des produits d'étanchéité.
- Lors des interventions d'entretien et de réparation, tous les composants contaminés qui ne peuvent pas être nettoyés de manières satisfaisante doivent être mis au rebut.
- Certains composants doivent être mis au rebut dans des sachets en plastique imperméables conformes aux réglementations nationales en vigueur pour la mise au rebut de ces déchets.
- Pour l'entretien par les utilisateurs, l'appareil doit être démonté, nettoyé et entretenu, dans la limite de ce qui est raisonnablement possible, sans causer de risque pour le personnel de maintenance et les autres personnes. Les précautions appropriées comprennent la décontamination avant le démontage, la mise en place d'une ventilation par aspiration filtrée locale à l'endroit où l'appareil est démonté, le nettoyage de la zone d'entretien et une protection individuelle appropriée.
- Méthode avec laquelle les couvercles des compartiments non étanches à la poussière doivent être retirés pour le nettoyage.
- L'extérieur de l'appareil est décontaminé par des méthodes de nettoyage par aspiration et essuyé ou traité avec un produit d'étanchéité avant de le retirer d'une zone dangereuse. Tous les éléments de l'appareil doivent être considérés comme contaminés lors du retrait de la zone dangereuse et des actions appropriées doivent être menées pour empêcher la dispersion des poussières.
- Les opérateurs doivent respecter les règles de sécurité applicables aux matières manipulées.

Pour l'entretien pour le compte de l'utilisateur, l'aspirateur doit être démonté, nettoyé et entretenu dans la mesure du possible, sans causer de risque pour le personnel d'entretien ou les autres personnes. Avant le démontage, l'aspirateur doit être nettoyé afin d'éviter tout risque. La pièce/l'enceinte dans laquelle l'aspirateur est démonté doit être bien ventilée. Portez des équipements de protection individuelle pendant

l'entretien. Après l'entretien de l'appareil, la zone d'entretien doit être nettoyée.

Nettoyage

AVERTISSEMENT :

N'utilisez jamais de solvants ni d'autres produits chimiques agressifs pour nettoyer les éléments non métalliques de l'appareil. Ces produits chimiques peuvent fragiliser les matériaux utilisés dans ces éléments. Ne laissez jamais un liquide pénétrer dans l'appareil ; n'immergez jamais un élément de l'appareil dans un liquide.

- Aspirez l'extérieur de l'extracteur de poussière. Nettoyez l'extérieur de l'appareil avec un chiffon sec.
- Après utilisation, jetez le chiffon dans un conteneur approprié.

Filtre à cartouche - (Fig 8.)

Le filtre à cartouche doit être régulièrement lavé uniquement à l'extérieur sous l'eau courante pour éviter d'endommager la surface du filtre. Il est cependant recommandé de remplacer ce filtre tous les six mois ou en fonction de la fréquence d'utilisation et du type de saleté.

AVERTISSEMENT:

Une fois que le filtre a été nettoyé, vérifiez s'il est adapté à une utilisation ultérieure. S'il a été endommagé ou cassé, remplacez-le par un filtre d'origine.

Lubrification

- Votre appareil ne nécessite aucune lubrification supplémentaire.

Stockage

- Videz le réservoir, Nettoyez l'intérieur et l'extérieur de l'aspirateur, consultez la section Nettoyage.
- Nettoyez ou remplacez les filtres, consultez la section Filtres.
- Pour éviter les blessures au dos, retirez le sac de collecte plein ou videz le fluide aspiré avant de transporter l'aspirateur.
- Enroulez le câble autour de la poignée de transport et enroulez le tuyau d'aspiration autour du réservoir.
- Portez l'aspirateur uniquement par la poignée de transport.
- Rangez l'appareil et les accessoires en lieu sûr.

- Placez l'appareil et les accessoires dans une pièce sèche et empêchez toute utilisation non autorisée. Rangez-le hors de portée des enfants.

PROTECTION DE L'ENVIRONNEMENT



Recyclez les matières premières au lieu de les mettre au rebut en tant que déchets.

Les accessoires et les emballages doivent être triés pour un recyclage respectueux de l'environnement.



Collecte séparée. Ce produit ne doit pas être jeté avec les déchets ménagers normaux.

Utilisation domestique

Les réglementations locales peuvent prévoir une collecte séparée des produits électriques domestiques, auprès d'une décharge municipale ou du revendeur lorsque vous achetez un nouveau produit. Veuillez contacter le service client Trend pour obtenir des conseils sur la mise au rebut de produits électriques Trend indésirables dans le respect de l'environnement ou rendez-vous sur le site www.trend-uk.com

Utilisation professionnelle

Veuillez contacter le service client Trend pour la mise au rebut de produits électriques Trend indésirables.

GARANTIE

Cet appareil est livré avec une garantie du fabricant. Veuillez consulter le site Web pour plus de détails.

Pour trouver votre agent de service Trend le plus proche, veuillez contacter le service client Trend ou consultez le localisateur sur le site www.trend-uk.com.

ACCESSOIRES

Utilisez uniquement les accessoires Trend d'origine.

Tous les accessoires peuvent être achetés auprès des revendeurs Trend. Pour trouver votre revendeur Trend le plus proche, veuillez consulter le site www.trend-uk.com.

Sac filtrant

Pour utilisation à sec uniquement

Réf. T32/1 1 off

Réf. T32/1/5 5 off

Réf. T32/1/10 10 off

Filtre à cartouche HEPA

Réf. T32/2 1 off

NL - T32

Beste klant,

Hartelijk dank voor de aankoop van dit Trend-product, we hopen dat u er vele jaren creatief en productief gebruik van kunt maken. Vergeet niet om uw garantiekaart binnen 28 dagen na aankoop te retourneren.



OPGELET:

Lees de instructies voordat u de machine gebruikt

Definities: Veiligheidsrichtlijnen

De onderstaande definities beschrijven het niveau van ernst voor elk signaalwoord. Lees de gebruiksaanwijzing en let op deze symbolen.

De volgende symbolen worden in deze gebruiksaanwijzing gebruikt:



GEVAAR:

Maakt attent op een dreigende gevaarlijke situatie die, als hij niet wordt voorkomen, kan leiden tot de dood of ernstig letsel.



OPGELET:

Maakt attent op een potentieel gevaarlijke situatie, die, indien niet wordt voorkomen, gering tot matig letsel tot gevolg kan hebben.

OPMERKING: Geeft een praktijk aan niet gerelateerd aan persoonlijk letsel die, indien niet vermeden, kan resulteren in eigendomsschade.



Duidt op een risico op elektrische schok.



Duidt op het risico op brand.

Aanvullend gebruikte symbolen



Draag persoonlijke beschermingsmiddelen (PBM). U moet gehoor-, oog- en adembescherming dragen.



Aangegeven gevaren op persoonlijk letsel, dood of schade aan het gereedschap voor het geval van het niet in acht nemen van de instructies in deze gebruiksaanwijzing.



Als u meer veiligheidsadvies, technische informatie of reserveonderdelen nodig hebt, neem dan contact op met de technische dienst van Trend of bezoek www.trend-uk.com

EG-CONFORMITEITSVERKLARING

MACHINERICHTLIJN



STOFZUIGER

T32

Trend verklaart dat dit product beschreven in de technische gegevens voldoet aan 2006/42/EG.

Dit product voldoet aan de richtlijnen 2014/35/EU, 2014/30/EU, 2011/65/EU, EU666, 2009/125/EC, 1275/2009/EC en de volgende geharmoniseerde standaarden

EN 60335-1, EN 60335-2-69, EN 62233:2008,

EN 55014-1:2017,

EN 55014-2:2015, EN 61000-3-2:2014,

EN 61000-3-3:2013.

Neem voor meer informatie contact op met Trend via het volgende adres of raadpleeg de achterkant van de gebruiksaanwijzing. De ondergetekende legt deze verklaring af in naam van Trend Machinery & Cutting Tools Ltd.

Verenigd Koninkrijk
Neil McMillan

Trend Machinery & Cutting Tools Ltd
Unit 6 Odhams Trading Estate
St Albans Road, Watford
Herts, WD24 7TR
United Kingdom
25.02.2020

**STOFZUIGER
T32
TECHNISCHE GEGEVENS**

Spanning	VK en Ierland Europa	V_{AC} V_{AC}	230/115 230
Ingangsvermogen	230v 115v	W W	800 800
Frequentie		Hz	50
Debiet		l/s	20
Max. zuigkracht		mbar	146
Filteroppervlak	HEPA	cmq	1850
Negatieve druk		K_{PA}	14.6
Stofcategorie			M
Inhoud stofzak		L	15
Reservoir		L	20
Lawaai		dB	80
Slang	Lengte Buitendiameter	M mm	3 39
Afmetingen	Hoogte x breedte	mm	492 x 375
Gewicht		kg	6.5kg
Vibratie		m/s^2	$\leq 2,5$
L_{PA}	(emissiegeluidsdrukniveau)	dB(A)	≤ 70
K_{PA}	(onzekerheid voor het gegeven geluidsniveau)	dB(A)	1.5
L_{WA}	(geluidsvermogensniveau)	dB(A)	80
K_{WA}	(onzekerheid voor het gegeven geluidsniveau)	dB(A)	1.5

Zekeringen

VK en Ierland	230V gereedschap	13 Ampère, in stekker
VK en Ierland	115V gereedschap	16 ampère, netvoeding
Europa	230V gereedschap	16 ampère, netvoeding

BEOOGD GEBRUIK

Deze machine is bestemd voor het verzamelen, opzuigen, vervoeren en scheiden van niet brandbare, droge stof, niet brandbare vloeistoffen en mengsels van lucht en water. Deze stofzuiger van stofcategorieklassen M is ontworpen voor professioneel gebruik en geschikt voor handelszaken en werkplaatsen.

Een stofzuiger van stofcategorie M mag, in overeenstemming met IEC/EN 60335-2-69, alleen worden gebruikt voor het stofzuigen en onttrekken van gevaarlijke stoffen met een blootstellingsgrenswaarde van $\geq 0,1$ mg/

m3. Gebruik de stofzuiger alleen wanneer u de volledige werking begrijpt en alle functies probleemloos kunt uitvoeren, of gepaste instructies hebt gekregen.

Dit apparaat is geschikt voor commercieel gebruik, zoals in hotels, scholen, fabrieken, winkels en kantoren.

Het apparaat is alleen geschikt voor gebruik als een droge stofzuiger.

Laat kinderen **NIET** in contact komen met dit apparaat. Toezicht is vereist wanneer onervaren bedieners dit apparaat gebruiken.



WAARSCHUWING: Zorg dat alle filters zijn aangebracht.

WAARSCHUWING: De bedieners moeten voldoende zijn opgeleid om deze machines op een juiste manier te gebruiken.

WAARSCHUWING: Zorg ervoor dat het snoer niet in aanraking komt met de draaiende borstels.

WAARSCHUWING: Deze machine is alleen bestemd voor droog gebruik.

WAARSCHUWING: Deze machine is niet geschikt voor het opzuigen van gevaarlijk stof.

WAARSCHUWING: Haal de stekker uit het stopcontact voordat de machine wordt gereinigd of onderhouden, voordat er onderdelen worden vervangen of wanneer de machine naar een andere functie wordt omgeschakeld.

WAARSCHUWING: Houd toezicht over kinderen zodat ze niet met het apparaat spelen.

OPGELET: Deze machine is alleen bestemd voor gebruik binnenshuis.

OPGELET: Berg deze machine alleen binnenshuis op.

OPGELET: Overbelast de zuigkracht niet.

OPGELET: Reinig de filters elke dag.

OPGELET: Zorg dat de zak niet te veel wordt gevuld.

NIET voor het opzuigen van brandbaar stof. Gebruik de stofzuiger.

NIET een explosieve omgeving. Gebruik de stofzuiger Dit product is niet bestemd voor gebruik door personen (waaronder kinderen) die lijden aan verminderde fysieke, sensorische of mentale vermogens; gebrek aan ervaring, kennis of vaardigheden tenzij ze onder toezicht staan van een persoon die verantwoordelijk is voor hun veiligheid. Kinderen mogen nooit alleen worden gelaten met dit product.

Elektrische Veiligheid

Voeding



WAARSCHUWING:

Haal de stekker uit het stopcontact voordat u onderhoud op het apparaat uitvoert

De elektrische motor is ontworpen voor slechts één spanning. Controleer altijd of de voeding overeenstemt met de spanning op het typeplaatje. Machines gemarkeerd voor 230 volt kunnen tevens worden bediend met een voeding van 220 volt. De stofzuiger werd in de fabriek reeds voorzien van een snoer met een aardingsstekker. Deze mag alleen worden aangesloten op een goedgekeurd, geaard stopcontact.

Een verlengkabel gebruiken

- Als een verlengkabel nodig is, gebruik dan een goedgekeurde drie-aderige verlengkabel die geschikt is voor het ingangsvermogen van dit gereedschap (zie technische gegevens). De minimale diameter van de geleider is 1,5mm² en de maximale lengte is 30 meter.
- Wikkel de kabel altijd volledig af wanneer u een kabelhaspel gebruikt.



WAARSCHUWING:

115V-eenheden moeten worden bediend via een faalveilige, isolerende transformator met een aardingsscherm tussen de primaire en secundaire wikkelingen.



WAARSCHUWING:

Lees de gebruiksaanwijzing om het risico op letsel te beperken.

VEILIGHEID VAN DE STOFZUIGER

Belangrijke veiligheidsinstructies



WAARSCHUWING!

Lees alle veiligheidswaarschuwingen en instructies zorgvuldig door. Het negeren van de waarschuwingen en instructies kan leiden tot een elektrische schok, brand en/of ernstig letsel.

BEWAAR ALLE WAARSCHUWINGEN EN INSTRUCTIES VOOR LATERE RAADPLEGING. LEES EN VOLG ALLE INSTRUCTIES VOORDAT U HET APPARAAT GEBRUIKT.



WAARSCHUWING:

De bedieners moeten voldoende zijn opgeleid om deze machines op een juiste manier te gebruiken.



WAARSCHUWING:

Elektrocutiegevaar! Vermijd blootstelling aan regen. Berg het binnen op.

- Alleen voor droog gebruik.
- Het verpakkingsmateriaal (bijv. plastic tassen) kan gevaar opleveren, houd het uit de buurt van kinderen en dieren.
- De bedieners moeten voldoende zijn opgeleid om deze machine op een juiste manier te gebruiken.
- Geef de bedieners de gepaste informatie en opleiding om het apparaat op een juiste manier en voor de gepaste toepassingen te gebruiken, waaronder de methode om het verzamelde materiaal op een veilige manier te verwijderen en weg te gooien.
- De bedieners dienen rekening te houden met de veiligheidsvoorschriften die voor de op te zuigen materialen van toepassing zijn.
- Laat het apparaat nooit zonder toezicht achter wanneer in werking. Laat het apparaat niet alleen achter wanneer het op de voeding is aangesloten. Trek de stekker uit het stopcontact als het apparaat niet wordt gebruikt en alvorens het te reinigen. Schakel het apparaat volledig uit voordat u de stekker uit het stopcontact haalt.
- Dit apparaat is niet bestemd voor gebruik door personen met beperkte fysieke, sensorische of mentale capaciteiten, of die een gebrek aan ervaring en kennis hebben, behalve indien ze voldoende instructies hebben gekregen door of bijgestaan worden door een persoon die verantwoordelijk is voor hun veiligheid.
- Kinderen mogen het apparaat niet als speelgoed

gebruiken.

- Gebruik het apparaat alleen zoals beschreven in deze gebruiksaanwijzing.
- Het apparaat gebruiken voor een ander doeleinde dan in deze gebruiksaanwijzing is vermeld, kan gevaar opleveren en moet worden vermeden.
- Gebruik de contactdoos op het apparaat alleen voor de doeleinden die in de gebruiksaanwijzing zijn vermeld.
- Controleer het apparaat altijd voor gebruik.
- Houd het zuigmondstuk uit de buurt van het lichaam, in het bijzonder uit de buurt van delicate zones, zoals de ogen, oren en de mond.
- Trek de stekker niet uit het stopcontact door aan het snoer te trekken. Haal de stekker uit het stopcontact door aan de stekker zelf te trekken.
- Draag of trek dit apparaat niet via het snoer. Gebruik het snoer niet als een handvat, sluit geen deur op het snoer of trek het snoer niet langs scherpe randen of hoeken. Laat het apparaat nooit over het snoer rijden. Houd het snoer uit de buurt van hete oppervlakken.
- Raak het apparaat, het snoer of de stekker niet aan met natte handen.
- Stop geen voorwerpen in de openingen van het apparaat. Gebruik het apparaat niet wanneer er een opening verstopt is. Houd alle openingen vrij van stof, pluksel, haar of andere stoffen die de luchtstroom kunnen beperken en een verstopping kunnen veroorzaken.
- Houd haar, losse kleding, vingers en alle lichaamsdelen uit de buurt van de openingen en bewegende onderdelen van het apparaat.
- Statische schokken zijn mogelijk in droge gebieden of wanneer de relatieve luchtvochtigheid laag is. Dit is slechts tijdelijk en geeft geen impact op de werking van de stofzuiger. Om de frequentie van statische schokken te beperken, verhoog de luchtvochtigheid in de ruimte met behulp van een console of een geïnstalleerde luchtbevochtiger.
- Om spontane ontbranding te vermijden, leeg de stofzak na elk gebruik.
- Wees extra voorzichtig wanneer u trappen stofzuigt.
- Zet het apparaat juist in elkaar voordat u het gebruikt.
- Zorg dat het gebruikte stopcontact voor de machine geschikt is.
- Controleer of de spanning die op het typeplaatje is aangegeven overeenstemt met de netspanning.
- Deze machine is niet geschikt voor het stofzuigen van stof dat de gezondheid kan schaden of brandbare/ explosieve stoffen (zoals as en roet).
- Haal altijd eerst de stekker uit het stopcontact voordat u de machine onderhoudt of wanneer het zonder toezicht binnen het bereik van kinderen of personen met een handicap wordt achtergelaten.

- Dompel de machine nooit onder en reinig het nooit met een hogedrukreiniger.
- Controleer het snoer en de machine regelmatig op schade. Als schade wordt waargenomen, gebruik het apparaat niet langer en neem contact op met uw servicecentrum om het te laten repareren.
- Laat het snoer vervangen door de fabrikant, zijn reparateur of gelijksoortig bevoegd persoon als het beschadigd is om elk risico te voorkomen.
- Als een verlengsnoer wordt gebruikt, moeten de stekker en het stopcontact waterdicht zijn.
- Als de machine omkantelt, zet het eerst opnieuw rechtop voordat u het uitschakelt.
- Gebruik de machine niet voor het opzuigen van water uit containers, wastafels, kuipen, etc.
- Gebruik geen oplosmiddelen of detergenten.
- Reparaties mogen alleen door een vakman worden uitgevoerd. Gebruik alleen originele reserveonderdelen van Trend om het apparaat te repareren.
- De fabrikant kan niet verantwoordelijk worden gesteld voor schade/letsel aan personen, dieren of eigendommen door een verkeerd gebruik van het apparaat.
- Gebruik alleen opzetstukken die door Trend zijn aanbevolen en originele reserveonderdelen van Trend.

BEWAAR DEZE GEBRUIKSAANWIJZING

Extra veiligheidsvoorschriften



WAARSCHUWING:

Dit apparaat bevat schadelijke stof. Het legen en onderhouden, waaronder het verwijderen van de stofzak, mag alleen worden uitgevoerd door opgeleid personeel die gepaste beschermingsmiddelen dragen. Schakel het apparaat pas in wanneer het volledig filtersysteem is geïnstalleerd om uw gezondheid niet te schaden.

- Zuig geen brandende of rokende items op, zoals hete as, lucifers of sigaretten.
- Zuig geen brandbare en explosieve materialen op, zoals graankorrels, kolen of ander fijn verdeeld en brandbaar materiaal.
- Zuig geen gevaarlijke, giftige of kankerverwekkende materialen op, zoals asbest of pesticiden.
- Zuig nooit explosieve vloeistoffen (bijv. verfverduunners, benzine, diesel, olie voor verwarmingstoestellen, etc.), zuren of oplosmiddelen op.

- Stofzuig niet wanneer de filters niet juist zijn aangebracht, uitgezonderd zoals aangegeven in de sectie Natzuigen van deze gebruiksaanwijzing.
- Bepaalde houttypes bevatten conserveringsmiddelen die giftig kunnen zijn. Wees zeer voorzichtig tijdens het hanteren van deze materialen om inademing of contact met de huid te vermijden. Raadpleeg en volg alle veiligheidsinformatie van de fabrikant van de materialen.
- Gebruik de stofzuiger niet als een stoel, ladder of trapje.
- Plaats geen zware voorwerpen op de stofzuiger.
- Hang niets aan de stofzuiger om het bijv. te vervoeren.



Draag persoonlijke beschermingsmiddelen (PBM). U moet gehoor-, oog- en adembescherming dragen.

RESTRISICO'S

Ondanks het toepassen van de relevante veiligheidsvoorschriften en het implementeren van veiligheidsvoorzieningen kunnen bepaalde restrisico's niet worden vermeden.

Deze zijn:-

- Aantasting van het gehoor.
- Risico op persoonlijk letsel door rondvliegende deeltjes.
- Gevaar voor brandwonden doordat accessoires tijdens het gebruik heet worden.
- Risico op persoonlijk letsel als gevolg van langdurig gebruik.

MARKERINGEN OP HET APPARAAT

De volgende afbeeldingen worden op het apparaat weergegeven.



Lees de gebruiksaanwijzing voordat het apparaat wordt gebruikt.



WAARSCHUWING: Dit apparaat bevat schadelijke stof. Het legen en onderhouden, waaronder het verwijderen van de stofzak, mag alleen worden uitgevoerd door opgeleid personen die gepaste beschermingsmiddelen dragen. Schakel het apparaat pas in wanneer het volledig filtersysteem is geïnstalleerd om uw gezondheid niet te schaden.



Stofzuigers van klasse M zijn geschikt voor het opzuigen van droog en niet brandbaar stof met een werkplaatsgrenswaarde van $\geq 0,1$ mg/m³.



WAARSCHUWING: De stofzuiger bevat materialen die de gezondheid van personen kunnen schaden. Laat het legen en onderhouden, waaronder het weggoaien van de stofbakken, alleen uitvoeren door een specialist. Het dragen van gepaste beschermingsmiddelen is vereist. Gebruik de stofzuiger niet zonder volledig aangebracht filtersysteem om uw gezondheid niet te schaden.

Positie van de datumcode

De datumcode, met vermelding van het fabricagejaar, is op het typeplaatje gedrukt en is aan de bovenkant van het apparaat aangebracht.

INHOUD VAN DE VERPAKKING

- 1 x Patroonfilter HEPA H13
- 2 x Zwenkwielen
- 2 x Hoofdwielen
- 1 x Reservoir
- 1 x Synthetische opvangzak
- 1 x Slang 3m x 39mm Ø met slangtuit
- 2 x Verlengbuizen
- 1 x Gebogen metalen buis
- 1 x Zeer efficiënte vloerborstel
- 1 x Harde vloerborstel
- 1 x Koppelstuk voor elektrisch gereedschap
- 1 x Spleetmondstuk /Borstel
- 1 x Gebruiksaanwijzing
- 1 x Garantiekaart

BESCHRIJVING VAN DE ONDERDELEN - (Fig 1.)

- A.** AAN/UIT-schakelaar
- B.** Afzuigsnelheidsscherm
- C.** Schudderknop
- D.** Handgreep
- E.** HEPA-patroonfilter
- F.** Opvangzak
- G.** Reservoir
- H.** Slanginlaat voor reservoir
- I.** Beschermflens voor reservoir
- J.** Blaasuitlaat
- K.** Deksel
- L.** Vergrendeling voor reservoir
- M.** Zwenkwielen
- N.** Hoofdwielen
- O.** Bajonetsluiting voor slang
- P.** Slang 3m x 39 mm Ø
- Q.** Verlengbuizen
- R.** Gebogen metalen buis
- S.** Spleetmondstuk/borstel
- T.** Koppelstuk voor elektrisch gereedschap
- U.** Harde vloerborstel
- V.** Slangtuit
- W.** Zeer efficiënte vloerborstel
- X.** Opbergvakken

- Controleer op beschadigingen aan het gereedschap, onderdelen of accessoires die tijdens het transport kunnen zijn opgetreden. De onderdelen en accessoires kunnen in het reservoir zitten.
- Neem de tijd om deze gebruiksaanwijzing aandachtig door te lezen en te begrijpen voor gebruik.



WAARSCHUWING:

Pas het apparaat of geen enkel onderdeel van dit apparaat aan. Dit kan het apparaat beschadigen of persoonlijk letsel veroorzaken.

MONTAGE - (Fig 2.)

De accessoires zitten veilig in het reservoir. Maak de drie vergrendelingen van het reservoir los, verwijder het motordeksel en verwijder de accessoires. Draai het reservoir ondersteboven en breng de voorste zwenkwielen aan. Neem de hoofdwielen en klik ze op de juiste plaats vast. Draai het reservoir opnieuw rechtop. Installeer de opvangzak (zie de sectie De opvangzak aanbrengen en verwijderen). Zorg dat de vleugelmoer van de patroonfilter stevig is vastgedraaid. Breng de motor opnieuw aan en zorg dat de drie vergrendelingen van het reservoir stevig worden vastgemaakt.

De opvangzak aanbrengen - (Fig 3.)



- Maak de vergrendelingen van het reservoir los en verwijder het deksel.
- De opvangzak is voorzien van een kaart versterkte opening met een lipje aan de bovenkant.
- Hanteer de opvangzak met de nodige voorzichtigheid om beschadiging en het vastzitten of scheuren van de opvangzak door de beschermflens van het reservoir, scherpe voorwerpen of uitsteeksels te vermijden.
- Stop de opvangzak in het reservoir met de opening naar de voorkant van de stofzuiger gericht.
- Trek de opening van de opvangzak over de beschermflens van het reservoir. Zorg dat de opening van de opvangzak over de rand van de beschermflens komt te zitten.
- Duw de opvangzak stevig aan.
- Vouw de rest van de opvangzak in het reservoir open.



OPGELET:

Zorg dat de opvangzak tijdens het aanbrengen of verwijderen niet wordt beschadigd.

De opvangzak verwijderen - (Fig.4)

Om de zak te verwijderen, maak de slang los en trek de opvangzak van de beschermflens van het reservoir. Sluit de zak door het lipje om te draaien. Gooi de filter weg in een gepaste houder overeenkomstig de wetten die van kracht zijn. Het wordt aanbevolen om de zak regelmatig te vervangen voor de beste afkoeling van de motor. Als de stofzuiger zonder de papieren stofzak wordt gebruikt, wordt het aangeraden om de stofbak na elk gebruik te legen en te reinigen.



Vervang de opvangzak zodra het afzuigsnelheidsscherm rood wordt en blijft.

De slang, mondstukken en buizen aanbrengen - (Fig.5,5a)

- Sluit de slang aan op het reservoir door de slang met de bajonetfitting in de slanginlaat van het reservoir te duwen. Zorg dat de lipjes op de bajonet verticaal zijn en draai vervolgens met de klok mee vast. Om de slang te verwijderen, draai de slang met de bajonetfitting tegen de klok in om deze van de inlaat af te halen.
- De mondstukken kunnen op de verlengbuizen worden vastgedrukt. Om de mondstukken te verwijderen, draai de delen in de tegenovergestelde richting en trek ze uit elkaar.
- Voor het reinigen van vloerbekleding, gebruik het universeel mondstuk.
- Voer vloeren, klem het borstelmondstuk in het universeel mondstuk vast.

De patroonfilter aanbrengen/ verwijderen - (Fig.6)

- Duw de patroonfilter volledig in en zet vast door de vleugelmoer met de klok mee te draaien. Controleer of de filter juist is aangebracht. Om de patroonfilter te verwijderen, draai de vleugelmoer tegen de klok in en haal de patroonfilter uit. Zorg dat de dichting rondom de klem Schroef aanwezig is.



Voordat het apparaat wordt gebruikt, controleer altijd of alle filters aanwezig zijn en zich op de juiste plaats bevinden.

GEBRUIK



Het apparaat gebruiken



Controleer of de netspanning juist is! De spanning van de netvoeding dient overeen te stemmen met de spanning die op het typeplaatje van de stofzuiger is aangegeven. Apparaten die zijn aangegeven met 230V kunnen tevens met 220V worden bediend. Raadpleeg de HSE-richtlijnen voor het juist hanteren van materialen die de gezondheid kunnen schaden.

- Houd de machine altijd op een horizontale ondergrond en gebruik het op een veilige en stabiele manier.

- Installeer gepaste filters voor het juiste gebruik.
- Gebruik het apparaat nooit zonder de filters aangebracht.
- Gebruik de meest gepaste accessoires voor de uit te voeren werkzaamheid.

De stofzuiger kan over het algemeen niet worden gebruikt in een ruimte waar explosiegevaar aanwezig is. Om energie te besparen, schakel de stofzuiger alleen in wanneer u het wilt gebruiken.

Droogzuigen



Gebruik het apparaat nooit zonder de filter van polyurethaanschuim, de patroonfilter of de opvangzak.

- Breng de patroonfilter aan en zet het vast met behulp van de vleugelmoer.
- Om de stofzuiger in te schakelen, duw de knop omlaag.
- Om de stofzuiger uit te schakelen, duw de knop opnieuw omlaag om deze vrij te geven.

Als het afzuigsnelheidsscherm rood is, druk en houd de filterschudderknop 3 seconden ingedrukt (apparaat/afzuiging moet aan zijn). De filter wordt na het loslaten van de knop nog 5 extra seconden geschud. Als het scherm alleen rood weergeeft na het aansluiten van een elektrisch gereedschap, controleer of de afzuigopeningen van het gereedschap en de slang niet verstopt zijn. Als dit niet het geval is, is het apparaat klaar voor gebruik. Controleer regelmatig de luchtstroom door de afzuigslang te verwijderen.

Als het scherm rood blijft, kan de stofzak vol zijn. Vervang in dit geval de zak door een nieuwe. Zie Filter.

OPMERKING: Zorg voor voldoende ventilatie (M) voor een goede circulatie van de uitgaande lucht. Houd rekening met de nationale voorschriften die van kracht zijn.

Blaasfunctie - (Fig 7.)



OPGELET:

Gebruik deze functie niet als het apparaat wordt gebruikt voor het droogzuigen van schadelijke stof.

Verwijder de slang van de inlaat en stop de slang met de slangbajonetkap in de blaasuitlaat aan de binnenkant van het deksel.

Na het stofzuigen, schakel het apparaat uit en trek de stekker uit het stopcontact.

Na gebruik, berg de stofzuiger zorgvuldig op.

ONDERHOUD EN REPARATIE



Gebruik alleen originele reserveonderdelen en accessoires van Trend.

- Alvorens een werkzaamheid op de stofzuiger uit te voeren, haal de stekker uit het stopcontact.
- Voor een veilig gebruik en juiste werking van het apparaat, houd de stofzuiger en de ventilatiegleuven altijd schoon.
- Draag een stofmasker tijdens het onderhouden en reinigen van de stofzuiger.
- Als het snoer moet worden vervangen, laat dit doen door Trend zelf of een reparateur van Trend om elk veiligheidsrisico te vermijden.
- De fabrikant of een opgeleide persoon dient minstens eenmaal per jaar een technische inspectie op het apparaat uit te voeren om het te controleren op bijv. schade aan de filter, lektheid van de stofzuiger en werking van de regeleenheid.
- Voor stofzuigers van categorie M die in een verontreinigde omgeving worden gebruikt, reinig of behandel de buitenkant of alle machineonderdelen met een afdichtingsmiddel.
- Tijdens het onderhouden of repareren van het apparaat, gooi alle verontreinigde onderdelen weg die onvoldoende gereinigd kunnen worden.
- Gooi dergelijke onderdelen weg in een waterdichte plastic tas overeenkomstig de geldende nationale voorschriften inzake het weggooiën van dergelijk soort afval.
- Voor onderhoud in naam van de gebruiker, demonteer, reinig en onderhoud de machine voor zover dit redelijkerwijs haalbaar is om het risico op letsel aan het onderhoudspersoneel of anderen te vermijden. Geschikte voorzorgsmaatregelen zijn onder andere decontaminatie vóór demontage, het voorzien van een lokale gefilterde uitlaatventilatie op de plaats waar de machine wordt gedemonteerd, het reinigen van de onderhoudsruimte en het dragen van gepaste persoonlijke beschermingsmiddelen.
- Verwijder de deksels van de niet stofvrije compartimenten voordat de machine wordt gereinigd.
- Verwijder het vuil aan de buitenkant van de machine na het stofzuigen en veeg vervolgens schoon of behandel met een afdichtingsmiddel voordat de machine uit een gevaarlijk gebied wordt verwijderd. Alle onderdelen van de machine worden als verontreinigd beschouwd wanneer de machine uit het gevaarlijk gebied wordt verwijderd en de nodige voorzorgsmaatregelen moeten worden genomen om de verspreiding van stof te vermijden.
- De bedieners dienen rekening te houden met de veiligheidsvoorschriften die voor het op te zuigen materiaal van toepassing zijn.

Voor onderhoud in naam van de gebruiker, demonteer, reinig en onderhoud de stofzuiger voor zover dit redelijkerwijs haalbaar is om het risico op letsel aan het onderhoudspersoneel of anderen te vermijden. Reinig de stofzuiger voordat u deze uit elkaar haalt om elk risico te vermijden. De ruimte waarin de stofzuiger uit elkaar gehaald zal worden moet goed geventileerd zijn. Draag persoonlijke beschermingsmiddelen tijdens het onderhouden van het apparaat. Na het onderhouden van het apparaat, reinig de onderhoudsruimte.

Reiniging



WAARSCHUWING:

Maak de niet metalen onderdelen van het apparaat nooit schoon met een oplosmiddel of agressief chemisch middel. Deze chemische middelen tasten het materiaal dat in deze onderdelen worden gebruikt aan. Zorg dat er geen vloeistof de machine binnendringt. Dompel geen enkel onderdeel van het apparaat in een vloeistof.

- Stofzuig de buitenkant van de stofzuiger. Maak de buitenkant van de machine schoon met een droge doek.
- Na gebruik, gooi de doek in een gepaste houder weg.

Patroonfilter - (Fig 8.)

Maak de buitenkant van de patroonfilter regelmatig onder de kraan schoon om schade aan het filteroppervlak te vermijden. Het wordt echter aangeraden om deze filter elke zes maanden of korter, afhankelijk van de gebruiksfrequentie en het soort vuil, te vervangen.



WAARSCHUWING:

Na het reinigen van de filter, controleer of deze nog verder gebruikt kan worden. Als schade of breuk wordt waargenomen, vervang het door een originele filter.

Smearing

- Uw apparaat heeft geen extra smearing nodig.

Opslag

- Leeg het reservoir. Maak de binnen- en buitenkant van het reservoir schoon, zie de sectie Reiniging.
- Reinig of vervang de filters, zie de sectie Filters.
- Om rugletsel te vermijden, verwijder een volle, wegwerpbare opvangzak of voer de opgezogen vloeistof af voordat de stofzuiger wordt getransporteerd.

- Wikkel het snoer rond de handgreep en de zuigslang rond het reservoir.
- Draag de stofzuiger alleen via de handgreep.
- Berg het apparaat en de accessoires op in een veilige plaats.
- Bewaar het apparaat en de accessoires in een droge ruimte en vergrendel het tegen ongeoorloofd gebruik. Berg het op buiten het bereik van kinderen.

Filterzak

Alleen voor droog gebruik

Ref. T32/1 1 stuk

Ref. T32/1/5 5 stuks

Ref. T32/1/10 10 stuks

HEPA-patroonfilter

Ref. T32/2 1 stuk

MILIEUBESCHERMING



Recycle grondstoffen in plaats van ze als afval te verwijderen.

Accessoires en verpakkingen moeten worden gesorteerd voor een milieuvriendelijke recycling.



■ Aparte afvoer. Dit product mag niet worden afgevoerd via het huishoudelijk afval.

Particuliere gebruiker

Plaatselijke voorschriften kunnen voorzien in gescheiden inzameling van elektrische producten uit het huishouden, op gemeentelijke afvalstortplaatsen of door een winkel wanneer u een nieuw product koopt. Neem contact op met de klantenservice van Trend voor advies over hoe u ongewenste elektrische producten van Trend op een milieuvriendelijke manier kunt weggooien of bezoek www.trend-uk.com

Commerciële gebruikers

Neem contact op met de klantenservice van Trend voor het verwijderen van ongewenste elektrische Trend-producten.

GARANTIE

Dit apparaat wordt geleverd met fabrieksgarantie. Zie website voor meer informatie.

Neem contact op met de klantenservice van Trend voor de locatie van uw dichtstbijzijnde Trend service-agent of neem contact op met onze leverancier op www.trend-uk.com.

ACCESSOIRES

Gebruik alleen originele accessoires van Trend.

Alle accessoires kunnen bij een Trend-dealer worden gekocht. Voor een Trend-dealer in uw buurt, ga naar www.trend-uk.com

DK - T32

Kære kunde,

Tak for købet af dette Trend-produkt. Vi håber du får mange års god og kreativ brug ud af det.

Du bedes venligst huske at sende dit garantibevis tilbage inden for 28 dage efter køb af produktet.



FORSIGTIG:

Læs vejledningerne inden maskinen tages i brug.

Definitioner: Sikkerhedsvejledninger

Definitionerne nedenfor beskriver sværhedsgraden for hver signalord. Læs vejledningen og vær opmærksom på disse symboler.

Følgende symboler bruges i hele denne vejledning:



ADVARSEL:

Angiver en potentiel farlig situation, som - hvis den ikke undgås - kan føre til dødsfald eller alvorlige personskader.



FORSIGTIG:

Angiver en potentielt farlig situation, som - hvis den ikke undgås - kan føre til mindre eller moderate personskader.

BEMÆRK: Angiver en praksis, der ikke er relateret til personskader, som - hvis den ikke undgås - muligvis kan føre til materielle skader.



Angiver risiko for elektrisk stød.



Angiver risiko for brand.

Yderligere symboler, der bruges



Brug personlig beskyttelsesudstyr (PPE). Øre-, øjen- og åndedrætsværn skal bruges.



Angiver risiko for personskader, dødsfald eller skade på værktøjet i tilfælde af eller manglende overholdelse af instruktionerne i denne vejledning.



Hvis du har brug for yderligere sikkerhedsrådgivning, tekniske oplysninger eller reservedele, skal du ringe til Trends tekniske support eller gå på www.trend-uk.com

EU- OVERENSSTEMMELSESERKLÆRING

MASKINDIREKTIV



STØVSUGER

T32

Trend erklærer, at dette produkt, der er beskrevet under Tekniske data, er i overensstemmelse med 2006/42/EC2006/42/EC.

Dette produkt er også i overensstemmelse med direktiverne 2014/35/EU, 2014/30/EU, 2011/65/EU, EU666, 2009/125/EC, 1275/2009/EC samt følgende harmoniserede standarder
EN 60335-1, EN 60335-2-69, EN 62233:2008, EN 55014-1:2017, EN 55014-2:2015, EN 61000-3-2:2014, EN 61000-3-3:2013.

For yderligere oplysninger bedes du kontakte Trend på følgende adresse eller se bagsiden af vejledningen. Undertegnede afgiver denne erklæring på vegne af Trend Machinery & Cutting Tools Ltd.

Teknisk direktør
Neil McMillan

Trend Machinery & Cutting Tools Ltd
Unit 6 Odhams Trading Estate
St Albans Road, Watford
Herts, WD24 7TR
Storbritannien
25.02.2020

**STØVSUGER
T32
TEKNISKE DATA**

Spænding	UK & Eire Europa	VEKSELSTRØM (AC) VEKSELSTRØM (AC)	230/115 230
Strømindgang	230v 115v	W W	800 800
Frekvens		Hz	50
Strømhastighed		l/s	20
Maks. sugning		mbar	146
Filteroverflade	HEPA	cm ²	1850
Negativt tryk		K _{PA}	14,6
Støvkategori			M
Støvsugerposens indhold		L	15
Beholder		L	20
Støj		dB	80
Slange	Længde Udvendig diameter	M mm	3 39
Mål	Højde x bredde	mm	492 x 375
Vægt		kg	6,5kg
Vibrationer		m/s ²	<=2,5
L _{PA}	(emission lydtryksniveau)	dB(A)	<=70
K _{PA}	(usikkerhed omkring det givne lydtryk)	dB(A)	1,5
L _{WA}	(lydeffektniveau)	dB(A)	80
K _{WA}	(usikkerhed omkring det givne lydtryk)	dB(A)	1,5

Sikringer		
UK & Eire	230V værktøjer	13 ampere, i stik
UK & Eire	115V værktøjer	16 ampere, stikkontakt
Europa	230V værktøjer	16 ampere, stikkontakt

TILSIGTET BRUG

Denne maskine er beregnet til opsamling, støvsugning, transport og adskillelse af ikke-brændbart tørt støv og ikke-brændbare væsker og vand/luft-blandinger. Denne støvsuger i støvklasse M er beregnet til professionel brug og er velegnet i erhvervmiljøer og værksteder.

I henhold til IEC/EN 60335-2-69 må støvsugere i støvklasse M kun bruges til støvsugning og ekstraktion

af farlige støv med en eksponeringsgrænseværdi på $\geq 0,1 \text{ mg/m}^3$. Støvsugeren må kun bruges, når du har fuldt forståelse, hvordan alle funktionerne bruges, eller når du er blevet passende vejledt.

Dette apparat er velegnet til erhvervmæssig brug, fx på hoteller, skoler, fabrikker, butikker og kontorer.

Apparatet er kun beregnet til brug som en tør støvsuger.

Børn må **IKKE** komme i kontakt med dette apparat. Konstant opsyn er påkrævet, hvis uerfarne personer bruger dette apparat.



ADVARSEL: Sørg for, at alle filtrene er sat i maskinen.

ADVARSEL: Brugeren skal vejledes ordentligt i, hvordan maskiner som disse bruges.

ADVARSEL: Ledningen må ikke komme i kontakt med de drejende børster.

ADVARSEL: Denne maskine må kun bruges til tør støvsugning.

ADVARSEL: Denne maskine er ikke egnet til støvsugning af farligt støv.

ADVARSEL: Denne maskine skal afbrydes fra strømforsyningen under rengøring og vedligeholdelsesarbejde, samt når dele udskiftes og når maskinen ændres til en anden funktion. Dette gøres ved, at trække stikket ud af stikkontakten.

ADVARSEL: Børn skal være under opsyn, for at sikre at de ikke leger med apparatet.

FORSIGTIG: Denne maskine er kun beregnet til indendørs brug.

FORSIGTIG: Denne maskine må kun opbevares indendørs.

FORSIGTIG: Undgå, at overbelaste sugefunktionen.

FORSIGTIG: Rengør filtrene dagligt. Støvsugeren må.

FORSIGTIG: Undgå, at posen fyldes for meget op. Støvsugeren må.

IKKE bruges til støvsugning af brændbart støv.

IKKE bruges i eksplosive omgivelser. Dette produkt er ikke beregnet til brug af personer (herunder børn), der lider af nedsatte fysiske, sensoriske eller mentale evner; mangel på erfaring, viden eller færdigheder, medmindre de overvåges af en person, der er ansvarlig for deres sikkerhed. Børn må aldrig efterlades alene med dette produkt.

El-Sikkerhed

Strømforsyning



ADVARSEL:

Inden vedligeholdelsesarbejde udføres på maskinen, skal strømstikket afbrydes fra strømkilden

Den elektriske motor er kun designet til brug med en spænding. Kontroller altid, at strømforsyningen svarer til spændingen på typeskiltet. Maskiner, der er markeret med 230 volt, kan også forsynes med 220 volt. Støvsugeren leveres fra fabrikken med ledning/kabel, som har et stik med jordforbindelse. Det skal forbindes til en godkendt jordforbundet stikkontakt.

Brug af en forlængerledning

- Hvis en forlængerledning er påkrævet, skal du bruge en godkendt forlængerledning med tre tråde, der er egnet til strømindgangen på dette værktøj (se tekniske data). Den minimale lederstørrelse er 1,5 mm², den maksimale længde er 30 meter.
- Hvis du bruger en ledningsrulle, skal du altid trække ledningen helt ud.



ADVARSEL:

115 V enheder skal bruges med en fejlsikker isoleringstransformator med en jordskærm mellem primær og sekundær vikling.



ADVARSEL:

Læs brugsvejledningen for at reducere risikoen for skader.

SIKKERHED UNDER STØVSUGNING

Vigtige sikkerhedsvejledninger



ADVARSEL:

Læs alle sikkerhedsadvarsler og alle vejledningerne. Hvis disse advarsler og vejledninger ikke følges, kan det føre til elektrisk stød, brand og/eller seriøse personskader.

GEM ALLE ADVARSLER OG VEJLEDNINGER TIL SENERE REFERENCE. LÆS OG FØLG ALLE VEJLEDNINGERNE INDEN APPARATET TAGES I BRUG.



ADVARSEL:

Brugeren skal vejledes ordentligt i, hvordan maskiner som disse bruges.



ADVARSEL:

For at reducere risikoen for elektrisk stød. Må ikke udsættes for regn. Skal opbevares indendørs.

- Kun til tør brug.
- Dele, der bruges til emballering (fx plastikposer) kan være farlige, og skal holdes væk fra børn og dyr.
- Brugerne skal vejledes tilstrækkeligt i brugen af denne maskine.
- Før brug skal brugerne oplyses, vejledes og oplæres i brugen af maskinen og de stoffer, som den skal bruges til, herunder hvordan indsamlede materialer fjernes og bortskaffes på en sikker måde.
- Brugerne skal overholde alle sikkerhedsforskrifter, der er relevante for materialerne, der håndteres. • Efterlad aldrig udstyret uden opsyn, når det er i brug. Efterlad ikke apparatet, når det er tilsluttet en strømkilde. Træk stikket ud af stikkontakten, når apparatet ikke er i brug og før servicering. Sluk for alle betjeningsknapper, før du trækker stikket ud af stikkontakten.
- Apparatet må ikke bruges af børn eller personer med nedsatte fysiske, sensoriske eller mentale evner eller manglende erfaring og viden, medmindre de er under tilsyn eller er blevet vejledt i brugen af apparatet.
- Børn må ikke lege med dette apparat. Det er ikke et legetøj.
- Dette apparat må kun bruges som beskrevet i vejledningen.
- Brug af denne maskine til andet, end hvad der beskrives i denne vejledning, kan være farligt og skal undgås.

- Brug kun stikket på dette apparat til formål, der er angivet i denne vejledning.
- Kontroller altid apparatet inden brug.
- Sugedyksen skal holdes væk fra kroppen, særligt skrøbelige steder, som øjne, øre og mund.
- Dette apparat må ikke afbrydes, ved at trække i ledningen. Stikket skal afbrydes ved at trække i selve stikket, og ikke i ledningen.
- Apparateret må ikke trækkes eller bæres i ledningen. Ledningen må ikke bruges som et håndtag. Undgå, at ledningen kommer i klemme i en dør, og undgå at trække ledningen rundt om skarpe kanter eller hjørner.
- Undgå, at køre apparatet over ledningen. Hold ledningen væk fra opvarmede overflader. • Undgå, at håndtere stikket eller apparatet eller tage fast i ledningen med våde hænder.
- Stik ikke nogen genstande ind i åbningerne på apparatet. Apparateret må ikke bruges, hvis nogen af åbningerne er blokeret. Åbningerne skal holdes fri fra støv, fnug, hår og andet, der kan reducere luftstrømmen og blokere apparatet.
- Hold hår, løstsiddende tøj, fingre og alle kropsdele væk fra åbningerne og bevægende dele på apparatet.
- Det er muligt, at få statisk støj i tørre områder og når luftfugtigheden er lav. Dette kun midlertidigt, og påvirker ikke støvsugerens ydeevne. For at reducere statisk elektricitet, skal du føje fugt til luften med en konsol eller brug en luftfugter.
- For at undgå spontan brand, skal du åbne beholderen efter hvert brug.
- Vær ekstra forsigtig, hvis du rengør trapper.
- Udstyret skal samles ordentligt inden brug.
- Sørg for, at stikkontakten, der bruges, er egnet til apparatet.
- Kontroller, at spændingen, der er angivet på typeskiltet, er den samme som forsyningsspændingen.
- Disse maskiner er ikke egnede til støvsugning af sundhedsfarligt støv eller brændbare/eksplosive stoffer (såsom aske og sod).
- Afbryd altid strømforsyningen til maskinen inden udførelse af vedligeholdelsesarbejde, og hvis den efterlades uden opsyn eller er inden for børns eller hæmmede personers rækkevidde.
- Maskinen må aldrig nedsænkes i væsker. Og den må aldrig rengøres med kraftige vandstråler.
- Se regelmæssigt ledningen og maskinen efter for eventuelle skader. Hvis der opstår skader, må apparatet ikke bruges. Kontakt i stedet dit servicecenter for reparation.
- Hvis ledningen er beskadiget, skal den udskiftes af fabrikanten, dens servicecentre eller lignende kvalificerede personale, for at undgå fare.
- Hvis der bruges en forlængerledning, skal alle stik være vandtæt.
- Hvis maskinen vælter, anbefales det at stille den op igen, inden den slukkes.
- Udstyret må ikke bruges til støvsuge vand fra en beholder, toilet, karbad eller lignende.
- Aggressive opløsningsmidler eller rengøringsmidler må ikke bruges.
- Servicinger og reparationer må kun udføres af kvalificeret personale. Brug kun originale reservedele fra Trend til reparationer.
- Fabrikanten kan ikke holdes ansvarlig for nogen skader/personskader på personer, dyr eller ejendom, som følge af misbrug af apparatet.
- Brug kun anbefalede dele fra Trend og originale reservedele fra Trend.

BEHOLD DISSE VEJLEDNINGER

Yderligere sikkerhedsregler



ADVARSEL:

Dette apparat indeholder skadeligt støv. Tømning og vedligeholdelse - herunder fjernelse af støvsugerposen - må kun udføres af uddannet personale, der bruger passende beskyttelsesudstyr. Apparateret må ikke tændes, før hele filtersystemet er sat i. Ellers kan det være farligt for dit helbred.

- Støvsug ikke noget, der brænder eller ryger, såsom varm aske, tændstikker eller cigaretter.
- Apparateret må ikke bruges til at støvsuge brændbare eksplosive materialer, såsom korn, kul eller andet findelt brændbart materiale.
- Apparateret må ikke bruges til at støvsuge farlige, giftige eller kræftfremkaldende materialer, såsom asbest eller pesticid.
- Apparateret må aldrig bruges til at støvsuge eksplosive væsker (fx fortynder, benzin, dieselbrændstof, fyringsolie og lignende), syrer eller opløsningsmidler.
- Apparateret må ikke bruges uden filtrene i, undtagen som forklaret i afsnittet Våd støvsugning i denne vejledning.
- Nogle træsorter indeholder konserveringsmidler, som kan være giftige. Vær ekstra forsigtig og undgå indånding og hudkontakt, når du arbejder med disse materialer. Anmod og følg alle sikkerhedsoplysninger, der er tilgængelige fra leverandøren af materialerne.

- Støvsugeren må ikke bruges som et sæde, en stige eller trappestige.
- Stil ikke tunge genstande på støvsugeren.
- Støvsugeren må ikke hænges op, fx under transport.



Brug personlig beskyttelsesudstyr (PPE). Øre-, øjen- og åndedrætsværn skal bruges.

RESTRISICI

IPå trods af anvendelsen af de relevante sikkerhedsforskrifter og implementering af sikkerhedsanordninger, kan visse resterende risici ikke undgås.

Disse er:-

- Nedsat hørelse.
- Risiko for personskader på grund af flyvende partikler.
- Risiko for forbrændinger på grund af tilbehør, der bliver varmt under drift.
- Risiko for personskade på grund af langvarig brug.

MÆRKNINGER PÅ VÆRKTØJET

Følgende billeder er vist på apparatet.



Læs brugervejledningen inden brug.



ADVARSEL: Dette apparat indeholder skadeligt støv. Tømning og vedligeholdelse - herunder fjernelse af støvsugerposen - må kun udføres af uddannet personale, der bruger passende beskyttelsesudstyr. Apparatet må ikke tændes, før hele filtersystemet er sat i. Ellers kan det være farligt for dit helbred.



Støvsugere i klasse M er egnede til støvsugning af ikke-brændbart støv med grænseværdier på $\geq 0,1$ mg/m³.

ADVARSEL: Støvsugeren indeholder materialer, der er sundhedsskadelige. Sørg for at apparatet kun tømmes og vedligeholdes - herunder bortskaffelse af støvbeholdere - af specialister.

Passende beskyttelsesudstyr skal bruges. Brug ikke støvsugeren uden hele filtersystemet. Ellers kan det være farligt for dit helbred.

Placering af datakode

Datokoden, der viser produktionsåret, er trykt på typeskiltet, der kan findes på apparatets øvre kabinet.

MEDFØLGENDE DELE

- 1 x Patronfilter HEPA H13
- 2 x Hjul
- 2 x Hovedhjul
- 1 x Beholder
- 1 x Syntetisk støvsugerpose
- 1 x Slange 3 m x 39 mm Ø med slangemundstykke
- 2 x Forlængerrør
- 1 x Buet metalrør
- 1 x Højeffektiv gulvbørste
- 1 x Hård gulvbørste
- 1 x El-værktojsadapter
- 1 x Smalt mundstykke/børste
- 1 x Vejledning
- 1 x Garantibevis

BESKRIVELSE AF DELENE - (Fig 1.)

- A.** Tænd/sluk-knap
- B.** Udsiftningsindikator
- C.** Rysteknap
- D.** Bærehåndtag
- E.** Patronfilter HEPA
- F.** Støvsugerpose
- G.** Beholder
- H.** Slangeindløb til beholder
- I.** Afbøjningsflange til beholder
- J.** Blæserudløb
- K.** Låg
- L.** Beholderspænde
- M.** Hjul
- N.** Hovedhjul
- O.** Bayonetbeslag til slange
- P.** Slange 3 m x 39 mmØ
- Q.** Forlængerrør
- R.** Buet metalrør
- S.** Smalt mundstykke/børstemundstykke
- T.** El-værktojsadapter
- U.** Hård gulvbørste
- V.** Slangemundstykke
- W.** Højeffektiv gulvbørste
- X.** Opbevaringspladser på apparatet

- Se værktøjet, delene og tilbehøret efter for skader, der muligvis er sket under transporten. Dele og tilbehør er muligvis i beholderen.
- Tag dig tid til at læse og forstå denne vejledning grundigt inden brug



ADVARSEL:

Apparatets og dets dele må aldrig ændres. Dette kan føre til skader på apparatet og personskader.

SAMLING - (Fig 2.)



Tilbehør findes i beholderen. Løsn de tre spænder på beholderen, fjern motorlåget og tag tilbehøret ud. Vend beholderen på hovedet, og sæt forhjulene på. Find hovedhjulene, og klik dem på plads. Vend beholder om igen. Sæt støvsugerposen i (se afsnittet Sådan indsættes og fjernes støvsugerposen). Sørg for at vingskruen på patronfilteret spændes. Sæt motoren i og sørg for at alle tre spænder på beholderen spændes.

Sådan sættes støvsugerposen



- (Fig 3.)

- Løsn spænderne på beholderen og fjern låget.
- Støvsugerposen åbnes med et kort, ved at holde kortet mod beholderen foroven.
- Sørg for, at støvsugerposen håndteres med omhu, så du undgår skader. Sørg for, at den ikke kommer i klemme eller rives af beholderens afbøjningsflange eller andre skarpe genstande eller elementer, der stikker ud.
- Sæt støvsugerposen i beholderen med åbningen mod forsiden af støvsuger.
- Sæt åbningen på støvsugerposen over beholderens afbøjningsflange, og sørg for, at åbningen går over ryggen på beholderens afbøjningsflange.
- Sørg for, at støvsugerposen sættes ordentligt fast.
- Fold resten af støvsugerposen nedad i beholderen.



FORSIGTIG:

Pas på posen, så den ikke ødelægges, når den sættes i og tages ud.

Sådan fjernes støvsugerposen

- (Fig.4)



For at fjerne posen, skal slangen tages af, hvorefter posen trækkes ud af beholderens afbøjningsflange. Luk posen ved at trykke tappen ned. Bortskaf filteret i en egnet beholder i henhold til gældende love. Det er dog god praksis at skifte posen regelmæssigt for at garantere optimal afkøling af motoren. Hvis støvsugerens bruges uden støvsugerposen, anbefales det, at støvbeholderen tømmes og rengøres efter hver brug.



Støvsugerposen skal skiftes, når udskiftningsindikatoren lyser rødt og forbliver rød.

Montering af slange, dyser og rør - (Fig.5,5a)

- Forbind slangen til beholderen, ved at trykke slangen med bajonetbeslaget ind i beholderens slangeindgang, og sørg for, at bajonettens tapper er lodrette og drejes med uret, for at låse den fast. For at fjerne slangen, skal du dreje slangen med bajonetbeslaget mod uret, og tage den af indløbet.
- Mundstykkerne trykkes fast på forlængerrørene. For at fjerne mundstykkerne, skal du dreje dem i den modsatte retning og trække dem fra hinanden.
- Brug universal-mundstykket til tæpper.
- Sæt børstemundstykket på universal-mundstykket til gulve.

Montering/fjernelse af patronfilteret - (Fig.6)

- Filterpatronen trykkes helt ind, og fastgøres ved at dreje vingemøtrikken med uret. Kontroller, at den passer korrekt. For at fjerne patronfilteret, skal du dreje vingemøtrikken mod uret og trække patronfilteret ud. Sørg for, at pakningen rundt om fastspændingskruen er på plads.



Før du bruger apparatet, skal du altid sørg for, at alle de medfølgende filtre sidder rigtigt.



BETJENING

Opstart



Brug den korrekte netspænding! Spændingen på strømkilden skal stemme overens med spændingen, der er angivet på støvsugerens typeskilt. Udstyr mærket med 230 V kan også bruges med 220 V. Se HMS-retningslinjerne for håndtering af materialer, der er sundhedsskadelige.

- Maskinen skal altid holdes på vandrette overflader, på en sikker og stabil måde.
- Sæt de passende filtre i apparatet til korrekt brug.
- Brug aldrig apparatet uden filtre.
- Brug tilbehøret, der egner sig bedst til opgaven.

- Støvsugeren må generelt ikke bruges i rum, hvor der er fare for en eksplosion. For at spare energi, skal du kun tænde støvsugeren, når du bruger den.

Tør støvsugning

Brug aldrig apparatet uden filteret af polyurethanskum, patronfilteret eller støvsugerposen.

- Sæt patronen i og lås den fast med vingemøtrikken.
- Tryk knappen ned, for at tænde for støvsugeren.
- Tryk knappen ned, for at frigive den, og slukke støvsugeren.

Hvis udskiftningsindikatoren er rød, skal du holde filterrysteknappen nede i 3 sekunder, (enhed/udskiftningsindikatoren skal lyse). Filteret fortsætter med rystefunktionen i 5 sekunder, efter knappen slippes. Hvis indikatoren bliver rød, når du forbinder et el-værktøj, skal du sørge for, at værktøjets udsugningsmundstykke og slangen ikke er blokeret. Hvis disse ikke er blokeret, kan apparatet bruges.

Tag regelmæssigt udsugningsslangen af og se den efter. Hvis den røde indikator bliver ved med at lyse, er støvsugerposen muligvis fuld og skal skiftes. Se Filter

BEMÆRK: Der skal være tilstrækkelig ventilationshastighed (M), når den udgående luft cirkuleres. Overhold de respektive nationale forskrifter.

Blæsefunktion - (Fig 7.)

FORSIGTIG:

Funktionen kan ikke bruges, hvis apparatet bruges til støvsugning af skadeligt støv.

Tag slangen af indløbet, og sæt derefter slangens bayonetbeslag i blæserudløbet, der sidder for oven på lågets inderside.

Når du er færdig med at bruge apparatet, skal det slukkes og stikket skal trækkes ud af stikkontakten.

Opbevar støvsuger omhyggeligt efter brug.

VEDLIGEHOLDELSE OG SERVICERING



Brug kun originale reservedele fra Trend.

- For der arbejdes på selve støvsugeren, skal den afbrydes fra strømforsyningen.
- For sikker brug og for at sikre, at apparatet fungerer korrekt, skal du altid holde støvsugeren og ventilationsåbningerne rene.

- Brug en støvbeskyttelsesmaske, når du vedligeholder og rengør støvsugeren.

- Hvis ledningen skal skiftes, skal dette gøres af Trend eller en Trend-serviceagent, for at undgå en sikkerhedsrisiko.

- Et støveteknisk eftersyn skal udføres mindst en gang om året af fabrikanten eller en instrueret person. Apparatet skal fx ses efter for beskadigelse af filteret, tæthed mod lækage af støvsugeren og betjeningsenhedens funktion.

- På støvsugere i kategori M, der har været i forurenede omgivelser, skal både ydersiden og alle maskindelene rengøres eller behandles med pakningsmateriale.

- Ved udførelse af vedligeholdelses- og reparationsarbejde skal alle forurenede dele, der ikke kan rengøres ordentligt, bortskaffes.

- Sådanne dele skal bortskaffes i uigennemtrængelige plastikposer i overensstemmelse med gyldige nationale regler for bortskaffelse af sådant affald.

- Ved brugerservicering skal maskinen adskilles, rengøres og serviceres så vidt det er praktisk muligt uden at medføre risiko for vedligeholdelsespersonalet og andre. Passende forholdsregler omfatter dekontaminering før adskillelse, brug af lokal filtreret udstødningsventilation, hvor maskinen adskilles, rengøring af vedligeholdelsesområdet og passende personlig beskyttelse.

- Metoden, hvormed dæksler til ikke-støvisikre rum skal fjernes for rengøring.

- Maskinens yderside dekontamineres ved støvsugning, og tørres ren eller behandles med pakningsmateriale, før den tages ud af et farligt område. Alle maskindelene skal betragtes som forurenede, når de fjernes fra det farlige område og passende forholdsregler skal tages i brug, så støvet ikke spredes.

- Brugerne skal overholde alle passende sikkerhedsforskrifter til håndtering af materialet.

Ved vedligeholdelse på brugerens vegne, skal støvsugeren adskilles, rengøres og vedligeholdes så vidt muligt uden at medføre nogen risiko for vedligeholdelsespersonalet eller andre personer. Før adskillelse skal støvsugeren rengøres, for at forhindre enhver risiko. Rummet/kabinettet, hvor støvsugeren adskilles, skal være godt ventileret. Brug personlig beskyttelsesudstyr under vedligeholdelsesarbejdet. Når vedligeholdelsesarbejdet er færdigt, skal vedligeholdelsesområdet rengøres.

Rengøring



ADVARSEL:

Brug aldrig opløsningsmidler eller andre hårde kemikalier til rengøring af apparatets dele, der ikke er af metal. Disse kemikalier kan beskadige de anvendte materialer i disse dele. Lad aldrig væske trænge ind i maskinen. Ingen af dette apparats dele må nedsænkes i væske.

- Støvsug ydersiden af støvsugeren. Rengør maskinens yderside med en tør klud.
- Bortskaffes kluden i en passende beholder efter brug.

Patronfilter - (Fig 8.)

Patronfilter skal regelmæssigt vaskes udvendigt under rindende vand, for at undgå beskadigelse af filteroverfladen. Det anbefales dog, at dette filter udskiftes hver sjette måned eller i henhold til, hvor ofte apparatet bruges og typen af snavs.



ADVARSEL:

Når filteret er rengjort, skal du kontrollere, om det er egnet til yderligere brug. Hvis det er blevet beskadiget eller ødelagt, skal du udskifte det med et originalt filter.

Smøring

- Dit apparat kræver ingen ekstra smøring.

Opbevaring

- Tøm beholderen, Rengør støvsugeren indvendigt og udvendigt. Se afsnittet Rengøring.
- Rengør eller udskift filtrene. Se afsnittet Filtre.
- For at undgå rygskader, skal du fjerne støvsugerposen, hvis den er fuld, og tøm støvsugeren for væske, inden den transporteres.
- Vikl ledningen rundt om bærehåndtaget og vikl sugeslangen om beholderen.
- Støvsugeren må kun bæres i bærehåndtaget.
- Opbevar apparatet og tilbehøret på et sikkert sted.
- Placer apparatet og tilbehøret i et tørt rum, og beskyt det mod uautoriseret brug. Opbevares utilgængeligt for børn.

MILJØBESKYTTELSE

Råmaterialer skal genbruges og må ikke bortskaffes som affald.

Tilbehør og emballering skal sorteres til miljøvenlig genbrug.



Separat bortskaffelse. Dette produkt må ikke bortskaffes sammen med normalt husholdningsaffald.

Husholdningsbruger

Lokale regler giver muligvis mulighed for separat bortskaffelse af elektriske produkter fra husholdningen, på kommunale affaldssteder eller af forhandleren, når du køber et nyt produkt. Ring til Trends kundeservice for rådgivning om, hvordan du bortskaffer uønskede elektriske produkter på en miljøvenlig måde, eller gå på www.trend-uk.com

Erhvervsbrugere

Ring til Trends kundeservice for oplysninger om bortskaffelse af uønskede elektriske Trend-produkter.

GARANTI

Denne enhed leveres med producentens garanti. Se venligst hjemmesiden for flere detaljer.

Du kan finde dit nærmeste Trend-servicecenter ved, at ringe til Trends kundeservice eller du kan finde vores forhandlere på www.trend-uk.com.

TILBEHØR

Brug kun originalt tilbehør fra Trend.

Alt tilbehør kan købes hos Trend-forhandlere. Du kan finde din nærmeste Trend-forhandler på www.trend-uk.com

Filterpose

Kun til tørt brug

Ref. T32/1 1 fra

Ref. T32/1/5 5 fra

Ref. T32/1/10 10 fra

Patronfilter HEPA

Ref. T32/2 1 fra

SE - T32

Bäste kund!

Tack för att du köpt denna Trend produkt, vi hoppas att kommer att åtnjuta många år med kreativitet och produktiv användning.

Kom ihåg att returnera ditt garantkort inom 28 dagar efter köpet.



FÖRSIKTIGHET:

Läs igenom bruksanvisningen innan maskinen används

Definitioner: Säkerhetsanvisningar

Definitionerna nedan beskriver allvaret hos varje signalord. Läs igenom manualen och uppmärksamma dessa symboler.

Följande symboler används genom hela manualen:



VARNING:

Indikerar en farlig situation som, om den inte förhindras, kan resultera i allvarliga personskador eller dödsfall.



FÖRSIKTIGHET:

Indikerar en potentiellt farlig situation som, om den inte förhindras, kan resultera i lättare eller måttliga personskador.

NOTERA: Indikerar en praxis inte relaterat till personskador som om de inte undviks kan resultera i egendomsskador.



Anger risk för elektriska stötar.



Anger risk för brand.

Ytterligare symboler som används



Använd personlig skyddsutrustning. Hörsel-, ögon- och andningsskydd måste användas.



Anger risk för personskador, dödsfall eller skador på verktyget om inte instruktionerna inte följs i denna manual.



Om du behöver ytterligare säkerhetsråd, teknisk information eller reservdelar, ring Trend teknisk support eller besök www.trend-uk.com

EG-FÖRSÄKRAN OM ÖVERENSSTÄMMELSE

MASKINDIREKTIVET



DAMMSUGARE

T32

Trend deklarerar att produkten som beskrivs under tekniska data uppfyller 2006/42/EC.

Denna produkt uppfyller också direktiven 2014/35/EU, 2014/30/EU, 2011/65/EU, EU666, 2009/125/EC, 1275/2009/EC och följande harmoniserade standarder EN 60335-1, EN 60335-2-69, EN 62233:2008, EN 55014-1:2017, EN 55014-2:2015, EN 61000-3-2:2014, EN 61000-3-3:2013.

För ytterligare information kontakta Trend på följande adress eller se baksidan av manualen. Undertecknad gör denna deklaration på uppdrag av Trend Machinery & Cutting Tools Ltd.

Teknisk direktör
Neil McMillan

Trend Machinery & Cutting Tools Ltd
Unit 6 Odhams Trading Estate
St Albans Road, Watford
Herts, WD24 7TR
Storbritannien
25.02.2020

**DAMMSUGARE
T32
TEKNISKA DATA**

Spänning	Storbritannien och Irland Europa	V _{AC}	230/115
		V _{AC}	230
Ströminmatning	230v 115v	W	800
		W	800
Frekvens		Hz	50
Luftflödes hastighet		l/s	20
Max. dammsugning		mbar	146
Filteryta	HEPA	cm ²	1850
Negativt tryck		K _{PA}	14,6
Dammkategori			M
Uppsamlingspåsens innehåll		L	15
Behållare		L	20
Buller		dB	80
Slang	Längd yttre diameter	M	3
		mm	39
Mått	Höjd x bredd	mm	492 x 375
Weight		kg	6.5kg
Vibration		m/s ²	<=2.5
L _{PA}	(ljudtrycksnivå)	dB(A)	<=70
K _{PA}	(osäkerhet för givet ljudtryck)	dB(A)	1.5
L _{WA}	(ljudeffektnivå)	dB(A)	80
K _{WA}	(osäkerhet för givet ljudtryck)	dB(A)	1.5

Säkringar		
Storbritannien och Irland	230V verktyg	13 ampere, i kontakt
Storbritannien och Irland	115V verktyg	16 ampere, elnät
Europa	230V verktyg	16 ampere, elnät

AVSEDD ANVÄNDNING

Denna maskin är avsedd för uppsamling, dammsugning, transport och separering av icke-brännbart damm och icke-brännbara vätskor och vatten-luftblandningar. Denna dammsugare av kategori klass M är avsedd för professionell användning och är lämplig för butiker och verkstäder.

Enligt IEC/EN 60335-2-69 skall endast dammsugning av damm av kategori M endast användas för dammsugning och utsugning av farligt damm med ett

exponeringsgränsvärde på $\geq 0,1$ mg/m³. Använd endast dammsugaren när du fullt ut förstår och kan använda alla funktioner utan begränsning eller har fått lämpliga instruktioner.

Denna apparat är lämplig för kommersiell användning på exempelvis hotell, i skolor, fabriker, affärer och kontor.

Apparaten är avsedd att endast användas torr dammsugning.

Låt INTE barn komma i kontakt med denna apparat. Det krävs övervakning när oerfarna operatörer använder denna apparat.



WARNING: Ensure all filters are fitted.

WARNING: Operators shall be adequately instructed on the use of these machines.

WARNING: Do not allow the supply cord to come into contact with the rotating brushes.

WARNING: This machine is for dry use only.

WARNING: This machine is not suitable for picking up hazardous dust.

WARNING: The machine has to be disconnected from its power source during cleaning or maintenance and when replacing parts or converting the machine to another function for mains operated machines, by removing the plug from the socket-outlet

WARNING: Children should be supervised to ensure that they do not play with the appliance

FÖRSIKTIGHET: Denna maskin är endast för inomhusbruk.

FÖRSIKTIGHET: Denna maskin skall endast förvaras inomhus.

FÖRSIKTIGHET: Överbelasta inte sugfunktionen.

FÖRSIKTIGHET: Rengör filtren dagligen. Använd.

FÖRSIKTIGHET: Överfyll inte påsen. Använd.

INTE dammsugaren för brännbart damm.

INTE dammsugaren i en explosiv atmosfär. Denna produkt är inte avsedd för användning av personer (inklusive barn) med nedsatt fysisk, sensorisk eller mental förmåga eller av personer som saknar erfarenhet och kunskap, såvida inte de övervakas av en person som ansvarar för deras säkerhet. Barn skall aldrig lämnas ensamma med denna produkt.

Elektrisk Säkerhet

Strömförsörjning



VARNING:

Innan något underhållsarbete utförs skall elkontakten kopplas ifrån från strömkällan

Den elektriska motorn har designats för endast en spänning. Kontrollera alltid att strömförsörjningen motsvarar spänningen som anges på märkplåten. Maskiner som markerats för 230 volt kan också arbeta med 220 volt strömförsörjning. Dammsugaren är försedd från fabrik med en strömsladd/kabel som har en jordad kontakt. Den får endast anslutas till ett jordat uttag.

Använda en förlängningskabel

- Om en förlängningskabel krävs, använd en godkänd trekärnig förlängningskabel som är lämplig för ströminkmatningen för detta verktyg (se tekniska data). Den minsta ledarstorleken är 1,5 mm², den maximala längden är 30 m.
- Vid användning av en förlängningskabel på spole, linda alltid ut kabeln helt.



VARNING:

115V enheter skall drivas med en felsäker isolerad transformator med en jordskärm mellan de primära och sekundära ledningarna.



VARNING:

För att minska risken för skador, läs igenom bruksanvisningen.

DAMMSUGNINGSSÄKERHET

Särskilda säkerhetsföreskrifter



VARNING!

Läs alla säkerhetsvarningar och alla instruktioner. Underlåtenhet att följa alla instruktioner som listas nedan kan resultera i elektriska stötar, brand och/eller allvarliga personskador.

SPARA ALLA VARNINGAR OCH INSTRUKTIONER FÖR FRAMTIDA REFERENS. INNAN APPARATEN ANVÄNDS, LÄS IGENOM OCH FÖLJ ALLA INSTRUKTIONER.



VARNING:

Operatörer skall ha adekvata instruktioner om användningen av dessa maskiner.



VARNING:

Anger risk för elektriska stötar. Utsätt inte för regn. Förvara inomhus.

- Endast för torr användning.
- Komponenter som används för paketering (t.ex. plastpåsar) kan vara farliga och skall hållas utom räckhåll för barn och djur.
- Operatörer skall vara adekvat instruerade för att använda denna maskin.
- Innan användning skall operatörer förses med information, instruktioner och utbildning för användning av maskinen och de substanser för vilka den kommer att användas, inklusive säker metod för borttagning och avyttring av det uppsamlade materialet.
- Operatörer skall följa alla säkerhetsbestämmelser som gäller för de material som hanteras. • Lämna aldrig utrustningen utan uppsikt medan den används. Lämna inte apparaten medan den är ansluten till en strömkälla. Koppla ifrån den från uttaget när den inte används och innan service. Stäng av alla kontroller innan apparaten kopplas ifrån.
- Apparaten skall inte användas av barn eller personer med reducerad fysisk, sensorisk eller mental kapacitet eller som saknar erfarenhet eller kunskap därom såvida inte de övervakas eller fått instruktioner.
- Barn får inte leka med apparaten, det är ingen leksak.
- Använd endast denna apparat såsom beskrivs i manualen.
- Användning av denna maskin för något annat än vad som specificeras i denna manual kan vara farligt och skall undvikas.
- Använd endast uttagen på apparaten för de syften som specificeras i bruksanvisningen.
- Kontrollera alltid apparaten innan användning.
- Sugmunstycket skall hållas borta från kroppen, särskilt delikata delar som ögon, öron och mun.
- Koppla inte ifrån apparaten genom att dra i strömsladden. För att koppla från strömmen, ta tag i kontakten, inte i strömkabeln.
- Dra inte eller bär apparaten i själva strömsladden. Använd inte strömsladden som ett handtag, stänga en dörr över sladden eller dra kabeln runt skarpa kanter eller hörn.
- Kör inte apparaten över strömsladden. Håll kabeln borta från heta ytor.

- Hantera inte strömkontakten eller apparaten eller ta tag i strömsladden med våta händer.
- Placera inte föremål i öppningarna på apparaten. Använd inte apparaten om någon av öppningarna är blockerad. Håll öppningarna fria från damm, ludd, hår och annat material som kan minska luftflödet.
- Håll hår, löst sittande kläder, fingrar och alla delar av kroppen borta från öppningar och rörliga delar på apparaten.
- Statisk elektricitet är kan uppsåt i torra områden eller när den relativa fuktigheten i luften är låg. Detta är endast temporärt och skall inte påverka användningen av dammsugaren. För att minska frekvensen av statisk elektricitet, tillför luftfuktighet med en luftfuktare.
- För att undvika spontan förbränning, töm behållaren efter varje användning.
- Var extra försiktig vid rengöring i trappor.
- Utrustningen skall monteras korrekt innan användning.
- Se till att strömuttaget används korrekt för maskinen.
- Kontrollera att spänningen som anges på märkplattan är samma som strömförsörjningen.
- Dessa maskiner är inte lämpliga för dammsugning av hälsovådligt damm eller brandfarliga substanser (såsom aska och sot).
- Koppla alltid ifrån maskinen från strömförsörjningen innan något underhåll på maskinen utförs eller när den lämnas utan uppsikt eller är åtkomlig för barn eller handikappade.
- Maskinen skall aldrig sänkas ned i vätska eller att högtryckstvätt används för att rengöra apparaten.
- Undersök regelbundet strömsladden och maskinen om det finns några skador. Om någon skada hittas, använd inte apparaten utan kontakta ditt servicecenter för reparation.
- Om strömkabeln är skadad måste den bytas ut av tillverkaren, dess serviceverkstad eller liknande kvalificerad person, för att undvika risker.
- Om en förlängningssladd använd måste det finnas en vattentät anslutning mellan kontakten och uttaget.
- Om maskinen välter rekommenderas att den ställs upp innan den stängs av.
- Utrustningen skall inte användas för att suga upp vatten från behållare, toaletter, rör etc.
- Aggressiva lösningsmedel eller rengöringsmedel skall inte användas.
- Service och reparationer skall endast utföras av kvalificerad personal. Använd endast Trend originalreservdelar för servicereparationer.
- Tillverkaren kan inte hållas ansvarig för några skador/ personskador på personer, djur eller egendom som orsakas av att apparaten missbrukats.

- Använd endast Trend rekommenderade tillbehör och Trend originalreservdelar.

SPARA DESSA ANVISNINGAR

Ytterligare säkerhetsregler



VARNING:

Denna apparat innehåller skadligt damm. Tömning och underhåll, inklusive borttagning av uppsamlingspåsen skall endast utföras av utbildad personal som använder lämplig skyddsutrustning. Slå inte på apparaten innan det kompletta filtersystemet installerats. I annat fall kan det utgöra en hälsorisk.

- Sug inte upp någonting som brinner eller ryker som t.ex. het aska, tändstickor eller cigaretter.
- Dammsug inte brännbara explosiva material såsom säd, kol eller annat finfördelat brännbart material.
- Dammsug inte farliga, giftiga eller cancerframkallande material såsom asbest eller bekämpningsmedel.
- Sug aldrig upp explosiva vätskor (t.ex. thinner, bensin, diesel olja etc.), syror eller lösningsmedel.
- Dammsug inte utan filter monterat förutom såsom förklarats i sektionen våtdammsugning i denna manual.
- Visst trä innehåller konserveringsmedel sm kan vara giftiga. Var extra försiktig att inte inandas eller huden får kontakt med dessa material under arbetet. Begär och följ all säkerhetsinformation som finns tillgänglig från leverantören av materialet.
- Använd inte dammsugaren som en stol, stege eller trappstege.
- Placera inga tunga föremål på dammsugaren.
- Häng inte upp dammsugaren t.ex. vid transport.



Använd personlig skyddsutrustning. Hörsel-, ögon- och andningsskydd måste användas.

ÅTERSTÅENDE RISKER

Trots användning av relevanta säkerhetsbestämmelser och implementeringen av säkerhetsenheter kan vissa återstående risker inte undvikas.

Dessa är:-

- Hörselskador.
- Risk för personskador på grund av flygande partiklar.
- Risk för brännskador då tillbehör blir heta under användningen.
- Risk för personskador på grund av lång användning.

MARKERINGAR PÅ VERKTYGET

Följande bilder visas på apparaten.



Läs bruksanvisningen innan användning.



VARNING: Denna apparat innehåller skadligt damm. Tömning och underhåll, inklusive borttagning av uppsamlingspåsen skall endast utföras av utbildad personal som använder lämplig skyddsutrustning. Slå inte på apparaten innan det kompletta filtersystemet installerats. I annat fall kan det utgöra en risk för din hälsa.



Klass M dammsugare är lämpliga för att suga upp torrt, icke-brännbart damm med värden för arbetsplatsbegränsning på $\geq 0,1$ mg/m³.



VARNING: Dammsugaren innehåller material som är farlig för hälsan. Låt endast tömning och underhåll, inklusive avyttring av det uppsamlade dammet i dammbehållaren utföras av specialister. Lämplig skyddsutrustning krävs. Använd inte dammsugaren utan att det kompletta filtersystemet är monterat. I annat fall kan det utgöra en hälsorisk.

Placering av datumkod

Datumkoden, som inkluderar tillverkningsår, är tryckt på märkplattan som kan hittas på apparatens topphölje.

BIFOGADE POSTER

- 1 x Filterkassett HEPA H13
- 2 x Svängbara hjul
- 2 x Huvudhjul
- 1 x Behållare
- 1 x Syntetisk uppsamlingspåse
- 1 x Slang 3m x 39 mm Ø med slangöppning
- 2 x Förlängningsrör
- 1 x Böjt metallrör
- 1 x Högeffektiv golvborste
- 1 x Borste för hårda golv
- 1 x Elverktygsadapter
- 1 x Fogmunstycke
- 1 x Manual
- 1 x Garantikort

BESKRIVNING AV DELARNA - (Fig 1.)

- A.** Strömbrytare
- B.** Övervakning utsningshastighet
- C.** Blandarknapp
- D.** Bärhandtag
- E.** Filterkassett HEPA
- F.** Uppsamlingspåse
- G.** Behållare
- H.** Behållare slangenlopp
- I.** Behållare avböjningsfläns
- J.** Luftutblås
- K.** Lock
- L.** Behållarregel
- M.** Svängbara hjul
- N.** Huvudhjul
- O.** Bajonettfäste slang
- P.** Slang 3m x 39mmØ
- Q.** Förlängningsrör
- R.** Böjt metallrör
- S.** Fogmunstycke/borste
- T.** Elverktygsadapter
- U.** Borste för hårda golv
- V.** Slangmunstycke
- W.** Högeffektiv golvborste
- X.** Lagringsplats ombord

- Kontrollera om det finns skador på verktyget, delar eller tillbehör som kan ha uppstått under transport. Delar och tillbehör kan finnas inuti behållaren.
- Ta tid att läsa igenom och förstå denna manual innan arbetet börjar.



VARNING: Modifiera aldrig apparaten eller delar därav. Det kan resultera i skador eller personskador.

MONTERING - (Fig 2.)

Tillbehör finns fastsatta inuti behållaren. Lossa de tre behållarhakarna, ta bort motorlocket, ta bort tillbehören. Vänd behållaren upp och ned, sätt i de främre vridbara hjulen. Leta reda på huvudhjulen och klicka dem på plats. Vänd tillbaka behållaren. Fäst uppsamlingspåsen (se sektionen Fastsättning och borttagning av uppsamlingspåse). Se till att filterkassetten vingsmutter är åtdragen. Sätt tillbaka motorn och se till att alla tre behållarhakar är fastsatta.

Dammuppsamlingspåse - (Fig 3.)

- Öppna behållarens hakar och ta bort locket.
- Uppsamlingspåsen har en kartongförstärkt öppning med en flik överst.
- Se till att uppsamlingspåsen hanteras försiktigt för att förhindra skador och att den inte fastnar eller rivs sönder av behållarens avböjningsfläns eller andra vassa föremål eller skydd.
- Sätt i uppsamlingspåsen i behållaren med öppningen riktad mot framsidan av dammsugaren.
- Dra uppsamlingspåsens öppning över behållarens avböjningsfläns och se till att uppsamlingspåsens öppning passerar över ryggen på behållarens luftriktare.
- Se till att uppsamlingspåsen är tigt inskjuten.
- Vik ut resten av uppsamlingspåsen nedåt in i behållaren.

FÖRSIKTIGHET:

Hantera påsen försiktigt så att den inte skadas när den fästs eller tas bort.

Borttagning av uppsamlingspåsen - (Fig.4)

För att ta bort behållaren, lossa slangen och dra påsen från behållarens avböjningsfläns. Stäng påsen genom att vipa fliken över. Kasta filtret i en lämplig behållare enligt tillämpliga lagar. Det är emellertid god praxis att byta påsen regelbundet för att garantera optimal kylning av motorn. Om dammsugaren används utan papperspåsen rekommenderas att dammbehållaren töms och rengörs efter varje användning.

 **Uppsamlingspåsen måste bytas när övervakningen för utsugningshastigheten lyser röd och förblir röd.**

Montering av slangen, munstycket och rör - (Fig.5,5a)

- Anslut slangen till behållaren genom att skjuta slangen med bajonettfattningen in i behållarhöljets slanginlopp, se till att bajonettflikarna är vertikala och vrid medurs för att låsa. Ta bort slangen genom att vrida slangen med bajonettfattningen moturs för att ta bort den från inloppet.
- Enheterna har skjutfästning på förlängningsröret. För att ta bort enheten, vrid delarna i motsatt riktning och dra isär.
- För mattor använd universalmunstycket.
- För golv, kläm borstinsatsen in i universalmunstycket.

Fästa/ta bort filterkassetten - (Fig.6)

Filterkassetten måste skjutas in helt och fästas genom att vrida vingmuttern medurs. Kontrollera att den sitter korrekt. För att ta bort filterkassetten, vrid vingmuttern moturs och ta bort filterkassetten. Se till att förseglingen runt låsskruven finns på plats.

 **Innan apparaten används, kontrollera alltid att alla filter som medföljer sitter i korrekt position.**



DRIFT

Start 

Observera korrekt nätspänning! Spänningen för strömkällan måste vara samma som spänningen som specificeras på namnplattan på dammsugaren. Utrustning märkt med 230V kan också användas med 220V. Se HSE riktlinjer beträffande hantering av material som är skadliga för hälsan.

- Maskinen måste alltid hållas horisontellt på ett säkert och stabilt sätt.
- Sätt i lämpligt filter för korrekta användningen.
- Använd aldrig apparaten utan filtren.
- Använd de mest lämpliga tillbehören för arbetet som skall göras.
- Dammsugaren kan generellt inte användas i rum där det finns risk för explosion. För att spara energi, slå endast på dammsugaren när den skall användas.

Dagdammsugning

Använd aldrig apparaten utan polyuretanskumfiltret, filterkassetten eller uppsamlingspåsen.

- Fäst kassetten och lås den på plats med vingskruven.

- För att slå på dammsugaren, tryck ned knappen.
- För att stänga av dammsugaren, truck ned knappen för att lossa den.

Om övervakningen av utsugningshastigheten lyser röd, tryck ned och håll kvar skakningsknappen i tre sekunder (enheten/utsugningen måste vara påslagen) filtret kommer att fortsätta skakningsfunktionen i ytterligare fem sekunder efter att knappen släppts. Om övervakningen endast blir röd när du ansluter till ett elverktyg, se till att utsugningsmunstycket på verktyget och slangen inte är igensatta. Om de är rena är det OK att använda enheten. Kontrollera flödet regelbundet genom att ta bort utsugningsslangen

Om den röda övervakningen fortsätter lysa kan dammpåsen vara full och behöver bytas. Se filter

NOTERA: En tillräcklig ventilationshastighet (M) måste tillhandahållas när den utgående luften cirkulerar. Observera de nationella bestämmelserna.

Blåsfunktion - (Fig 7.)



FÖRSIKTIGHET:

Funktionen är inte användbar om apparaten används för torrsugning av skadligt damm.

Ta bort slangen från inloppet och sätt in slangen med slangbajonetlåset i blåsuttaget som är placerat ovanpå insidan av locket.

När jobbet är klart, stäng av och dra ur kontakten från uttaget.

Efter användning, förvara dammsugaren på ett säkert sätt.

UNDERHÅLL OCH SERVICE

Använd endast Trend originalreservdelar och tillbehör.

- Innan något arbete utförs på själva dammsugaren, dra ur kontakten från eluttaget.
- För säker användning se till att apparaten fungerar korrekt och håll alltid dammsugarens ventilationsöppningar rena.
- Använd dammask vid underhåll och rengöring av dammsugaren.
- Om det är nödvändigt att byta ut strömkabeln måste det göras av Trend eller en Trend servicerepresentant för att undvika säkerhetsrisker.
- En dammteknisk inspektion skall utföras minst en gång varje pr av tillverkaren eller en instruerad person om det finns skador på filtret, läckage i dammsugaren och kontrollenhetens funktion.
- För kategori M dammsugare som finns i kontaminerad miljö skall det yttre samt alla maskinens delar rengöras

eller behandlas med tätningsmedel.

- När underhåll och reparationsarbeten utförs och inte alla kontaminerade komponenter kan rengöras tillfredsställande måste de avyttras.
- Sådana komponenter måste avyttras i täta plastpåsar som uppfyller nationella bestämmelser för avyttring av sådant avfall.
- För användarservice skall apparaten demonteras, rengöras och ges service så långt som det är praktiskt möjligt utan att det utgör en risk för underhållspersonalen och andra. Lämpliga försiktighetsåtgärder inkluderar dekontaminering innan demontering, att det finns lokal filtrerad utblåsventilation där maskinen demonteras, rengöring av underhållsområdet och användning av personligt skydd.
- Metoden där höljen till icke-dammsäkra fack skall tas bort för rengöring.
- Utsidan av maskinen är dekontaminerad av dammsugningsmetoder och torkade rena eller behandlade med tätningsmedel innan de tas ut från ett farligt område. Alla maskindelar skall anses vara kontaminerade när de tas bort från en farligt område och lämpliga åtgärder skall vidtas för att förhindra spridning av damm.
- Operatörer skall följa alla säkerhetsbestämmelser som är lämpliga för det material som hanteras.

För underhåll för användarens räkning måste dammsugaren demonteras, rengöras och underhållas så långt som är möjligt utan att det orsakar någon risk för underhållspersonalen eller andra personer. Innan demontering skall dammsugaren rengöras för att förhindra alla risker. Rummet/lokalen där dammsugaren demonteras måste vara väl ventilerat. Använd personlig skyddsutrustning under underhållsarbetet. Efter underhållet av apparaten skall underhållsområdet rengöras.

Rengöring



VARNING:

Använd aldrig lösningsmedel eller andra skarpa kemikalier för rengöring av icke-metalliska delar på apparaten. Dessa kemikalier kan försvaga materialet om de används på dessa delar. Låt aldrig vätska komma in i maskinen, sänk aldrig ned någon del av apparaten i någon vätska.

- Dammsug utsidan av dammsugaren. Rengör de yttre delarna av maskinen med en torr trasa.
- Efter användningen, kasta trasan in en lämplig behållare.

Filterkassett - (Fig 8.)

Filterkassetter skall regelbundet sköljas externt under rinnande vatten för att undvika skador på filterytan. Det rekommenderas emellertid att dessa filter byts var sjätte månad eller i förhållande till användarfrekvensen och typ av smuts.



VARNING:

När filtret har rengjorts, kontrollera om det är lämpligt för vidare användning. Om det har skadats eller är sönder skall det bytas till mot originalfilter.

Smörjning

- Din apparat behöver ingen ytterligare smörjning.

Förvaring

- Töm behållaren. Rengör dammsugaren in- och utsida, se sektionen Rengöring.
- Rengör eller byt filter, se sektionen Filter.
- För att förhindra ryggskador, ta bort fulla uppsamlingspåsar eller töm uppsugen vätska innan dammsugaren transporteras.
- Linda kabeln runt bärhandtaget och linda sugslangen runt behållaren.
- Bär endast dammsugaren i bärhandtagen.
- Förvara apparaten och tillbehören på en säker plats.
- Placera enheten och tillbehören i ett torrt rum och säkra den mot obehörigt användande. Förvara den utom räckhåll för barn.

MILJÖSKYDD



Återvinn råmaterial istället för att kasta det som skräp.

Tillbehör och förpackningsmaterial skall sorteras och återvinnas på ett miljövänligt sätt.



Separat insamling. Denna produkt får inte kastas i de vanliga hushållssoporna.

Hushållsbruk

Lokal bestämmelser kan gälla för separat insamling av elektriska produkter från hushåll, på återvinningsstationer eller hos återförsäljaren när du köper en ny produkt. Ring Trend kundtjänst för råd om hur du skall avyttra oönskade Trend elektriska produkter på ett miljövänligt och säkert sätt eller besök www.trend-uk.com

Företagsanvändare

Ring Trend kundtjänst för avyttring av oönskade Trend elektriska produkter.

GARANTI

Den här enheten har tillverkarens garanti. Se webbplatsen för mer information.

För information om din närmaste Trend serviceombud, ring Trend kundtjänst eller se lokaliseringen av återförsäljare på www.trend-uk.com.

Filterpåse

Endast för torr användning

Ref. T32/1 1 av

Ref. T32/1/5 5 av

Ref. T32/1/10 10 av

Filterkassett HEPA

Ref. T32/2 1 av

NO – T32

Kjære kunde

Takk for at du kjøpte dette Trend-produktet. Vi håper du vil få mange år med kreativ og produktiv bruk.

Husk å returnere garantikortet ditt innen 28 dager etter kjøpet.



FORSIKTIG:

Les instruksjonene før du bruker maskinen

Definisjoner: Retningslinjer for sikkerhet

Definisjonene nedenfor beskriver alvorlighetsgraden for hvert signalord. Les manualen og vær oppmerksom på disse symbolene.

Følgende symboler brukes i hele denne håndboken:



ADVARSEL:

indikerer en potensiell farlig situasjon som, hvis ikke den unngås, kan resultere i død eller alvorlig personskade.



FORSIKTIG:

Indikerer en potensielt farlig situasjon som, hvis den ikke unngås, kan føre til mindre eller moderat skade.

MERKNAD: Indikerer en praksis som ikke relatert til personskade som, hvis ikke den unngås, kan resultere i skade på eiendom.



Det er fare for elektrisk støt.



Betegner fare for brann.

Ytterligere symboler som er brukt



Bruk personlig verneutstyr (PPE). Du må ha på øre-, øye- og åndedrettsvern.



Betegner risiko for personskade, tap av liv eller skade på verktøyet i tilfelle eller ikke overholdelse av instruksjonene i denne håndboken.



Hvis du trenger ytterligere sikkerhetsråd, teknisk informasjon eller reservedeler, kan du ringe Trend Technical Support eller besøke www.trend-uk.com

EU-SAMSVARERKLÆRING

MASKINEDIREKTIV



STØVSUGER

T32

Trend erklærer at produktet beskrevet under Tekniske data er i samsvar med 2006/42/EC.

Dette produktet er også i samsvar med direktivene 2014/35/EU, 2014/30/EU, 2011/65/EU, EU666, 2009/125/EC, 1275/2009/EC og følgende harmoniserte standarder

EN 60335-1, EN 60335-2-69, EN 62233:2008, EN 55014-1:2017, EN 55014-2:2015, EN 61000-3-2:2014, EN 61000-3-3:2013.

For mer informasjon, kontakt Trend på følgende adresse eller se på baksiden av håndboken. Undertegnede avgir denne erklæringen på vegne av Trend Machinery & Cutting Tools Ltd.

Teknisk sjef
Neil McMillan

Trend Machinery & Cutting Tools Ltd
Unit 6 Odhams Trading Estate
St Albans Road, Watford
Herts, WD24 7TR
Storbritannia
25.02.2020

**STØVSUGER
T32
TEKNISKE DATA**

Spenning	Storbritannia og Irland Europa	V _{AC} V _{AC}	230/115 230
Strømningsgang	230v 115v	W W	800 800
Frekvens		Hz	50
Strømningshastighet		l/s	20
Maks. vakuum		mbar	146
Filteroverflate	HEPA	cmq	1850
Negativt trykk		K _{PA}	14,6
Støvkategori			M
Støvsopsamlingspose innhold		L	15
Beholder		L	20
Lyd		dB	80
Slange	Lengde utvendig diameter	M mm	3 39
Dimensjoner	Høyde x bredde	mm	492 x 375
Vekt		kg	6,5kg
Vibrasjon		m/s ²	<=2,5
L _{PA}	(utslippslydtrykknivå)	dB(A)	<=70
K _{PA}	(usikkerhet for det gitte lydnivået)	dB(A)	1,5
L _{WA}	(lydeffektnivå)	dB(A)	80
K _{WA}	(usikkerhet for det gitte lydnivået)	dB(A)	1,5

Sikringer		
Storbritannia og Eire	230V verktøy	13 ampere, i støpselet
Storbritannia og Eire	115V verktøy	16 Amperes, hoved
Europa	230V verktøy	16 Amperes, hoved

TILTENKT BRUK

Denne maskinen er beregnet på oppsamling, støvsuging, transport og separering av ikke-brennbare tørre støv og ikke-brennbare væsker og vann-luftblandinger. Denne støvsugeren i støvkategori klasse M er til profesjonell bruk og egner seg for bransjer og verksteder.

I henhold til IEC / EN 60335-2-69, kan støv i støvkategori M bare brukes til støvsuging og ekstraksjon av farlige støv med en eksponeringsgrenseverdi $\geq 0,1 \text{ mg} / \text{m}^3$. Bruk støvsuger bare når du fullt ut forstår og kan

utføre alle funksjoner uten begrensninger, eller har fått passende instruksjoner.

Dette apparatet er egnet for kommersiell bruk, for eksempel på hoteller, skoler, fabrikker, butikker og kontorer.

Apparatet er kun beregnet på bruk som tørrstøvsuger.

IKKE la barn komme i kontakt med dette produktet. Tilsyn er nødvendig når uerfarne operatører bruker denne enheten.



ADVARSEL: Sørg for at alle filtre er montert.

ADVARSEL: Operatører skal instrueres tilstrekkelig om bruk av disse maskinene.

ADVARSEL: Ikke la strømkabelen komme i kontakt med de roterende børstene.

ADVARSEL: Denne maskinen er kun til tørr bruk.

ADVARSEL: Denne maskinen er ikke egnet til å plukke opp farlig støv.

ADVARSEL: Maskinen må kobles fra strømkilden under rengjøring eller vedlikehold, og når du bytter deler eller konverterer maskinen til en annen funksjon for nettdrevne maskiner, ved å fjerne støpselet fra stikkkontakten.

ADVARSEL: Barn skal overvåkes for å sikre at de ikke leker med apparatet.

FORSIKTIG: Denne maskinen er kun til innendørs bruk.

FORSIKTIG: Denne maskinen skal bare lagres innendørs.

FORSIKTIG: Ikke overbelast sugingen.

FORSIKTIG: Rengjør filtre daglig.

FORSIKTIG: Ikke overfyll posen.

IKKE bruk støvsugeren på brennbart støv.

IKKE bruk støvsugeren i eksplosive omgivelser.

Produktet er ikke beregnet for bruk av personer (inkludert barn) med nedsatte fysiske, sensoriske eller mentale evner, eller mangel på erfaring og kunnskap, med mindre det skjer under tilsyn eller de har fått innføring i bruk av produktet av en person som er ansvarlig for deres sikkerhet. Barn skal aldri etterlates alene med dette produktet.

Elektrisk Sikkerhet

Strømforsyning



ADVARSEL:

Før noe vedlikeholdsarbeid, må du isolere støpselet fra strømkilden

Den elektriske motoren er kun designet for én spenning. Kontroller alltid at strømforsyningen tilsvarer spenningen på typeskiltet. Maskiner merket for 230 volt kan også betjenes fra en 220 volts forsyning. Støvsugeren leveres fra fabrikk med strømledningen / kablet som har jordet plugg. Den må bare kobles til en godkjent jordet stikkontakt.

Bruk av skjøteledning

- Hvis en skjøtekabel er nødvendig, bruk en godkjent trippelkjernet skjøtekabel som er egnet for strømningangen til dette verktøyet (se tekniske data). Den minimale lederstørrelsen er 1,5 mm², maksimal lengde er 30m.
- Når du bruker en kabeltrommel, må du alltid koble kablet helt av.



ADVARSEL:

115V enheter må betjenes via en feilsikker isolasjonstransformator med en jordskjerm mellom primær og sekundær viking.



ADVARSEL:

Les bruksanvisningen for å redusere risikoen for personskader.

TRYGG RENGJØRING AV STØVSUGEREN

Viktige sikkerhetsinstruksjoner



ADVARSEL!

Les alle sikkerhetsadvarsler og alle instruksjoner. Hvis du ikke følger alle instruksjonene, kan det føre til elektrisk støt, brann og/eller alvorlig personskade.

SPAR PÅ ALLE ADVARSLER OG INSTRUKSJONER FOR FREMTIDEN FØR DU BRUKER APPARATET, LES OG FØLG ALLE INSTRUKSJONER.



ADVARSEL:

Operatører skal instrueres tilstrekkelig om bruk av disse maskinene.



ADVARSEL:

For å redusere risikoen for elektrisk støt. Ikke utsett maskinen for regn. Oppbevares innendørs.

- Kun for tørr bruk.
- Komponenter som brukes til emballasje (f.eks. plastposer) kan være farlige, holdes vekk fra barn og dyr.
- Operatører bør instrueres tilstrekkelig om bruk av denne maskinen.
- Før bruk skal operatørene få informasjon, instruksjon og trening for bruk av maskinen og stoffene den skal brukes for, inkludert sikker metode for fjerning og avhending av det innsamlede materialet.
- Operatører bør overholde alle sikkerhetsforskrifter som er passende for materialene som håndteres.
- La aldri utstyret være uten tilsyn mens det er i bruk. Ikke la apparatet ligge når det er koblet til en strømkilde. Koble det fra stikkkontakten når den ikke er i bruk og før service. Slå av alle kontrollene før du kobler fra apparatet.
- Apparatet skal ikke brukes av barn eller personer med nedsatte fysiske, sensoriske eller mentale evner, eller mangel på erfaring og kunnskap, med mindre de har fått tilsyn eller instruksjon.
- Barn skal ikke leke med apparatet, det er ikke et leketøy.
- Bruk dette apparatet bare som beskrevet i håndboken.
- Bruk av denne maskinen til alt som ikke er spesifisert i denne håndboken kan være farlig og må unngås.
- Bruk bare stikkkontakten på apparatet til formål som

- er spesifisert i bruksanvisningen.
- Kontroller alltid apparatet før bruk.
 - Sugedyren bør holdes borte fra kroppen, spesielt delikate områder som øyne, ører og munn.
 - Ikke koble fra dette apparatet ved å trekke i strømledningen. For å koble fra støpselet, ta tak i støpselet, ikke strømledningen.
 - Ikke trekk eller bær dette apparatet i strømledningen. Ikke bruk strømledningen som håndtak, lukk en dør på strømkabelen eller trekk strømledningen rundt skarpe kanter eller hjørner.
 - Ikke kjør apparatet over strømledningen. Hold strømledningen vekk fra oppvarmede overflater.
 - Ikke bruk støpselet eller apparatet, eller ta tak i strømledningen med våte hender.
 - Ikke sett gjenstander inn i apparatets åpninger. Ikke bruk apparatet når åpningen er blokkert. Hold åpninger fri for støv, lo, hår og annet som kan redusere luftstrømmen og forårsake blokkering.
 - Hold hår, løse klær, fingre og alle kroppsdeler borte fra åpninger og bevegelige deler.
 - Statiske støt er mulig i tørre områder eller når den relative luftfuktigheten er lav. Dette er bare midlertidig og påvirker ikke bruken av vakuuemet. For å redusere frekvensen av statiske støt, tilfører du fuktighet i luften med en konsoll eller installert luftfukter.
 - For å unngå spontan forbrenning, tøm beholderen etter hver bruk.
 - Vær ekstra forsiktig når du rengjør trapper.
 - Utstyret skal være korrekt montert før bruk.
 - Forsikre deg om at stikkontaktene som brukes er riktig for maskinen.
 - Sjekk at spenningen som er angitt på typeskiltet er den samme som forsyningsspenningen.
 - Disse maskinene er ikke egnet for støvsuging av helsefarende støv eller brennbar / eksplosivt stoff (som aske og sot).
 - Utfør aldri vedlikehold på maskinen uten å koble fra strømmettet eller når det er uten tilsyn eller tilgjengelige for barn eller funksjonshemmede.
 - Maskinen skal aldri være nedsenket og aldri bruke vannstråle mot apparatet for å rengjøre den.
 - Undersøk regelmessig strømledningen og maskinen for å skade dem. Hvis det oppstår skader, må du ikke bruke apparatet, men ta kontakt med servicesenteret for reparasjon.
 - Hvis strømledningen er skadet, må den skiftes ut av produsenten, dens servicesentre eller lignende kvalifiserte personer for å unngå fare.
 - Hvis det brukes en skjøteledning, må støpselet og kontakten være vannrett.

- Hvis maskinen velter, anbefales det å sette den opp før du slår den av.
- Utstyret skal ikke brukes til å støvsuge vann fra containere, toaletter, kar osv.
- Aggressive løsemidler eller vaskemidler skal ikke brukes.
- Service og reparasjoner må kun utføres av kvalifisert personell. Bruk kun originale Trend-reservedeler til service-reparasjon.
- Produsenten kan ikke holdes ansvarlig for skader / personskader forårsaket av personer, dyr eller eiendom som skyldes feil bruk av apparatet.
- Bruk bare anbefalte Trend-tilleggsutstyr og originale Trend-reservedeler.

LAGRE DISSE INSTRUKSJONENE

Ytterligere Sikkerhetsregler



ADVARSEL:

Dette apparatet inneholder skadelig støv. Tømming og vedlikehold, inkludert fjerning av oppsamlingsposen, kan bare utføres av trent personell som bruker egnet verneutstyr. Ikke slå på før hele filtersystemet er installert. Ellers er det fare for din egen helse.

- Ikke ta opp noe som brenner eller røyker, for eksempel varm aske, fyrstikker eller sigaretter.
- Ikke bruk for å støvsuge brennbare eksplosive materialer, for eksempel korn, kull eller annet fint brennbart materiale.
- Ikke bruk støvsuging av farlige, giftige eller kreftfremkallende materialer, for eksempel asbest eller sprøytemidler.
- Ta aldri opp eksplosive væsker (f.eks. tynnere, bensin, diesel, fyringsolje etc.), syrer eller løsemidler.
- Ikke bruk vakuuemet uten filtre på plass, bortsett fra som forklart i delen om våtstøvsuging i denne håndboken.
- Noen tresorter inneholder konserveringsmidler, som kan være giftige. Vær ekstra forsiktig for å forhindre innånding og hudkontakt når du arbeider med disse materialene. Be om og følg all sikkerhetsinformasjon tilgjengelig fra leverandøren av materialene.
- Ikke bruk støvsugeren som sete, stige eller trinn.
- Ikke plasser tunge gjenstander på støvsugeren.
- Ikke heng støvsugeren f.eks. til transportformål.



Bruk personlig verneutstyr (PPE). Du må ha på øre-, øye- og åndedrettsvern.

RESIDUELL RISIKO

Til tross for anvendelsen av relevante sikkerhetsforskrifter og implementering av sikkerhetsinnretninger, kan visse eksponeringer ikke unngås.

Disse er:-

- Nedsatt hørsel.
- Risiko for personskade på grunn av flygende partikler.
- Risiko for forbrekking på grunn av at tilbehøret blir varmt under drift.
- Risiko for personskade på grunn av langvarig bruk.

MERKINGER PÅ VERKTØY

Følgende bilder vises på verktøyet.



Les instruksjonshåndboken før bruk.



ADVARSEL: Dette apparatet inneholder skadelig støv. Tømming og vedlikehold, inkludert fjerning av oppsamlingsposen, kan bare utføres av trent personell som bruker egnet verneutstyr. Ikke slå på før hele filtersystemet er installert. Ellers er det fare for din egen helse.



Støvsugere av klasse M er egnet til å støvsuge tørre, ikke-brennbart støv med grenseverdier på arbeidsplassen $\geq 0,1$ mg / m³.



ADVARSEL: Støvsugeren inneholder materialer som er helsefarlige. La tømming og vedlikehold, inkludert avhending av støvsamlebeholdere, kun utføres av spesialister. Egnet verneutstyr er nødvendig. Ikke bruk støvsugeren uten hele filtersystemet. Ellers er det fare for din egen helse.

Datokodeposisjon

Datokoden, som inkluderer produksjonsår, er skrevet ut på typeskiltet som du finner på apparatets topphus.

INKLUDERTE ARTIKLER

- 1 x Patronfilter HEPA H13
- 2 x Trinser
- 2 x Hovedhjul
- 1 x Beholder
- 1 x Syntetisk samleveske
- 1 x Slange 3m x 39mm Ø med slangetut
- 2 x Forlengelsesrør
- 1 x Buet metallrør
- 1 x Høyeffektiv gulvbørste
- 1 x Hard gulvbørste
- 1 x Strømverktøyadapter
- 1 x Sprekkverktøy / børste
- 1 x Manuell
- 1 x Garantikort

BESKRIVELSE AV DELER - (Fig 1.)

- A.** Slå PÅ-AV
- B.** Monitor for ekstraksjonshastighet
- C.** Risteknapp
- D.** Bærehåndtak
- E.** Patronfilter HEPA
- F.** Støvopsamlingspose
- G.** Beholder
- H.** Beholderens innløp
- I.** Flens for beholderavleder
- J.** Blåserventil
- K.** Lokk
- L.** Beholderfangst
- M.** Trinser
- N.** Hjul
- O.** Slange bajonettbeslag
- P.** Slange 3m x 39mm Ø
- Q.** Forlengelsesrør
- R.** Buet metallrør
- S.** Sprekker / børsteverktøy
- T.** Strømverktøyadapter
- U.** Hard gulvbørste
- V.** Slangetut
- W.** Høyeffektiv gulvbørste
- X.** Lagringsplasser ombord

- Kontroller for skader på verktøyet, deler eller tilbehør som kan ha oppstått under transporten. Deler og tilbehør kan være inne i beholderen.
- Ta deg tid til å lese og forstå denne håndboken grundig før bruk.



ADVARSEL: Modifiser aldri apparatet eller deler av det. Det kan føre til skader eller personskader.

MONTERING - (Fig 2.)

Tilbehør er sikret inne i beholderen. Løsne de tre beholderfangene, fjern motorlokket, fjern tilbehøret. Snu beholderen opp ned, sett inn forhjulene. Finn hovedhjulene, og klikk for å låse på plass. Vri beholderen helt opp. Monter samleposen (se Sette inn og fjerne seksjonen for samleposen). Forsikre deg om at vingeskruen til patronfilteret er tett. Sett på plass motoren og sørg for at alle tre containerfangene er festet.

Sette inn samleposen - (Fig 3.)

- Lås opp beholderens hylser og fjern lokket.
- Samleposen har en kortforsterket åpning med en fane øverst.
- Forsikre deg om at oppsamlingsposen håndteres med forsiktighet for å forhindre skader, og at den ikke blir fanget eller dratt av beholderens utflens eller andre skarpe gjenstander eller fremspring.
- Sett oppsamlingsposen i beholderen med åpningen mot forsiden av støvsugeren.
- Trekk oppsamlingsposeåpningen over beholderavbuens flens og sikre at oppsamlingsposeåpningen passerer over mønet på beholderavbøyningen.
- Forsikre deg om at oppsamlingsposen skyves tett.
- Brett resten av avfallsamlingsposen ned i beholderen.

FORSIKTIG:

Ta vare på posen for å sikre at den ikke blir skadet ved montering eller når du fjerner den.

Fjerne samleposen - (Fig.4)

For å fjerne posen må du fjerne beholderens slange og trekke posen av beholderens deflektorflens. Lukk posen ved å vri flippen over. Kast filteret i en egnet beholder i henhold til gjeldende lover. Det er imidlertid god praksis å skifte sekk regelmessig for å garantere optimal kjøling av motoren. Hvis støvsugeren brukes uten papirstøvpose, anbefales det at støvbeholderen tømmes og rengjøres etter hver bruk.

Oppsamlingsposen må skiftes ut når ekstraksjonshastighetsmonitoren går i rødt og holder seg på rødt.

Montering av slange, dyser og rør -

(Fig.5,5a)

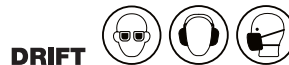
- Koble slangen til beholderen ved å skyve slangen med bajonettbeslag i beholderens slangeinntak, sørg for at bajonettflikene er vertikale og vri med klokken for å låse den. For å fjerne slangen, vri slangen med bajonettbeslag mot klokken for å fjerne det fra innløpet.
- Tutene er en trykkpasning på forlengelsesrørene. For å fjerne tutene, vri delene i motsatt retning og trekke fra hverandre.
- Bruk universell tut for tepper.
- For gulv, klikk børsteutløpet inn i den universelle tuten.

Montering / fjerning av filterpatronen - (Fig.6)

- Filterpatronen må skyves helt inn og sikres ved å vri vingemutteren med klokken. Sjekk at den passer riktig.

For å fjerne patronfilteret, vri vingemutteren mot klokken og trekk ut patronfilteret. Forsikre deg om at tetningen rundt festeskruen er på plass.

Før du bruker apparatet, må du alltid kontrollere at alle filtrene er i riktig posisjon.



DRIFT

Startoperasjonen

Følg riktig nettspenning! Spenningen til strømkilden må stemme overens med spenningen som er spesifisert på typeskiltet til støvsugeren. Utstyr merket med 230V kan også betjenes med 220V. Se HMS-retningslinjene for håndtering av materialer som er helsefarlige.

- Maskinen må alltid holdes på horisontale baser, på en sikker og stabil måte.
- Sett inn egnede filtre for riktig bruk
- Bruk aldri apparatet uten filtrene.
- Bruk det mest passende tilbehøret til ønsket bruk.

Støvsugeren kan vanligvis ikke brukes i rom der det er fare for eksplosjon. For å spare energi, slå bare støvsugeren på når du bruker den.

Dagstøvsuging

Bruk aldri apparatet uten polyuretanskumfilter, patronfilter eller oppsamlingspose.

- Sett inn patronen og lås den i stilling ved hjelp av vingeskruen.

- Trykk knappen ned for å slå på støvsugeren.

For å slå av støvsugeren, trykk på knappen for å frigjøre den. Hvis ekstraksjonshastighetsmonitoren er rød, trykker du på og holder filterrysterknappen inne i 3 sekunder. (enhet / ekstraksjon må være på) filteret fortsetter rystefunksjonen i ytterligere 5 sekunder etter frigjørelse. Hvis skjermen bare blir rød når du kobler til et elektroverktøy, må du forsikre deg om at ekstraksjonsutløpene til verktøyet og slangen ikke er blokkert. Hvis det er klart, er det OK å bruke.

Kontroller strømmen med jevne mellomrom ved å fjerne avtrekkslangen. Hvis den røde skjermen fortsetter, kan støvposen være full og må skiftes ut. Se filter

MERK: An adequate ventilation rate (M) must be provided for when the outgoing air is circulated. Observe the respective national regulations.

Blåsefunksjon - (Fig 7.)



FORSIKTIG:

Funksjonen kan ikke brukes hvis apparatet brukes til å tørke vakuumskadelig støv.

Fjern slangen fra innløpet, og sett deretter inn slangen med slangebajonnettheten, inn i vifteuttaket som ligger på toppen av innsiden av lokket.

Når jobben er over, slå av og isoler pluggen fra kontakten. Oppbevar støvsugeren forsiktig etter bruk.

VEDLIKEHOLD OG SERVICE

Bruk bare originale Trend-reservedeler.

- Før du arbeider med selve støvsugeren, må du isolere fra strømforsyningen.
- For sikker bruk og for å sikre at apparatet fungerer som det skal, holder du alltid støvsugeren og ventilasjonssporene rene.
- Bruk en støvbeskyttelsesmaske når du vedlikeholder og rengjør støvsugeren.
- Hvis utskifting av strømkabelen er nødvendig, må dette gjøres av Trend eller en Trend Service Agent for å unngå sikkerhetsfare.
- En støveteknisk inspeksjon skal utføres minst en gang hvert år av produsenten eller en instruert person, f.eks. for skade på filteret, tetthet mot lekkasje av støvsugeren og kontrollenhetens funksjon.
- For støvsugere i kategori M som var i forurensede omgivelser, bør det ytre så vel som alle maskindelene rengjøres eller behandles med fugemasse.
- Når du utfører vedlikeholds- og reparasjonsarbeid, må alle forurensede komponenter som ikke kan rengjøres tilfredsstillende, kastes.

- Slike komponenter må kastes i ugjenomtrentegelige plastposer i samsvar med gyldige nasjonale forskrifter for avhending av slikt avfall.
- Ved bruk av service skal maskinen demonteres, rengjøres og vedlikeholdes så langt det er praktisk mulig uten å medføre risiko for vedlikeholdspersonalet og andre. Egnede forholdsregler inkluderer dekontaminering før demontering, lokal filtrert avtrekksventilasjon der maskinen er demontert, rengjøring av vedlikeholdsområdet og egnet personlig beskyttelse.
- Metoden som deksler til ikke-støvsikre rom skal fjernes for rengjøring.
- Utsiden av maskinen er dekontaminert med støvsugemetoder og tørkes av eller behandles med fugemasse for den tas ut av et farlig område. Alle maskindeler skal anses forurenset når den fjernes fra det farlige området og passende tiltak for å forhindre støvspredding.
- Operatører bør overholde enhver sikkerhetsforskrift som er passende for materialet som håndteres.

For vedlikehold på vegne av brukeren, må støvsugeren demonteres, rengjøres og vedlikeholdes så langt det er mulig, uten å forårsake en risiko for vedlikeholdspersonalet eller andre personer. For demontering, bør støvsugeren rengjøres for å forhindre risiko. Rommet / kabinettet som støvsugeren er demontert skal være godt ventilert. Bruk personlig verneutstyr under vedlikehold. Etter vedlikehold av apparatet, bør vedlikeholdsområdet rengjøres.

Rengjøring



ADVARSEL:

Bruk aldri løsemidler eller andre sterke kjemikalier for rengjøring av ikke-metalliske deler av apparatet. Disse kjemikaliene kan svekke materialene som brukes i disse delene. La aldri væske komme inn i maskinen. Dypp aldri noen del av apparatet i en væske.

- Støvsug utsiden av støvsugeren. Rengjør den ytre delen av maskinen med en tørr klut.
- Kast kluten etter bruk i en passende beholder.

Patronfilter - (Fig 8.)

Patronfilter skal med jevne mellomrom vaskes utvendig under rennende vann for å unngå skade på filteroverflaten. Det anbefales imidlertid at dette filteret byttes ut hver sjette måned, eller i forhold til brukshyppighet og smuss.



ADVARSEL:

Når filteret er rensset, sjekk om det er egnet for videre bruk. Hvis den er skadet eller ødelagt, må du bytte den ut med et originalt filter.

Smøring

- Apparatet krever ingen ekstra smøring.

Lagring

- Tøm beholderen. Rengjør vakuemet inne og ute, se rengjøringsdelen.
- Rengjør eller skift ut filtre, se delen om filtre.
- For å forhindre ryggskader må du fjerne en full oppsamlingspose for avfall eller tømme støvsugd væske før du transporterer støvsugeren.
- Vikle kablen rundt bærehåndtaket og vikle sugeslangen rundt beholderen.
- Bær støvsugeren bare med bærehåndtaket.
- Oppbevar apparatet og tilbehøret på et trygt sted.
- Plasser enheten og tilbehøret i et tørt rom og sikre det mot uautorisert bruk. Oppbevares utilgjengelig for barn.

MILJØVERN 

Resirkuler uønskede materialer i stedet for å kaste dem som avfall.

Tilbehør og emballasje skal sorteres for miljøvennlig resirkulering.



Separat innsamling. Avfall fra elektriske produkter skal ikke kastes sammen med husholdningsavfall.

Privat bruker

Lokale forskrifter kan gi bestemmelser om separat innsamling av elektriske produkter fra husholdningen, på kommunale avfallssteder eller av forhandler når du kjøper et nytt produkt. Ring Trend kundeservice for råd om hvordan du avhender uønskede elektriske Trend-produkter på en miljøsikker måte, eller besøk www.trend-uk.com

Forretningsbruker

Ring Trend kundeservice for avhending av uønskede elektriske Trend-produkter.

GARANTI

Denne enheten har produsentgaranti. Vennligst se hjemmesiden for mer informasjon.

For beliggenheten til din nærmeste Trend-serviceagent, kan du ringe Trend kundeservice eller se vår forhandlersøk på www.trend-uk.com.

TILBEHØR

Bruk bare originalt Trend-tilbehør.

Alt tilbehør kan kjøpes hos Trend forhandlere. For å finne din nærmeste Trendforhandler, besøk www.trend-uk.com

Filterpose

Kun for tørr bruk

Ref. T32/1 1 av

Ref. T32/1/5 5 av

Ref. T32/1/10 10 av

Patronfilter HEPA

Ref. T32/2 1 av

FI - T32

Hyvä asiakas

Kiitos siitä, että hankit Trend-tuotteen. Toivottavasti saat nauttia siitä monia vuosia ja tuottavia vuosia.

Muista palauttaa takuukortti 28 päivän sisällä ostamisesta.



HUOMIO:

Lue tämä käyttöohje ennen koneen käyttämistä

Määritelmät: Turvallisuusohjeet

Jäljempänä olevat määritelmät kuvaavat kunkin huomiosanan vakavuusastetta. Lue käyttöopas ja huomiosi nämä symbolit.

Tässä käyttöoppaassa käytetään seuraavia symboleita:



VAROITUS:

ilmaisee mahdollisen vaarallisen tilanteen, joka saattaa johtaa kuolemaan tai vakavaan henkilövahinkoon, jos sitä ei vältetä.



HUOMIO:

ilmaisee mahdollisen vaarallisen tilanteen, joka voi johtaa lievään tai kohtalaiseen henkilövahinkoon, jos sitä ei vältetä.

HUOMAUTUS: ilmaisee tilannetta, johon ei liity henkilövahinkoa, mutta joka voi johtaa omaisuusvahinkoon, jos sitä ei vältetä.



Tarkoittaa sähköiskun vaaraa.



Tarkoittaa tulipalon vaaraa.

Käytetyt lisäsymbolit



Käytä henkilönsuojaimia. Kuulonsuojaimia, suojalaseja ja hengityssuojainta täytyy käyttää.



Ilmaisee loukkaantumisen, kuoleman ja työkalun vaurioitumisen vaaraa, jos tämän käyttöoppaan ohjeita ei noudateta.



Jos tarvitset lisäohjeita turvallisuudesta, teknisiä tietoja tai varaosia, soita Trendin tekniseen tukeen tai mene osoitteeseen www.trend-uk.com

EU- VAATIMUSTENMUKAISUUSVAKUUTUS

KONEDIREKTIIVI



PÖLYNIMURI

T32

Trend vakuuttaa, että teknisissä tiedoissa kuvattu tuote on direktiivin 2006/42/EY mukainen.

Tämä tuote on myös direktiivien 2014/35/EU, 2014/30/EU, 2011/65/EU, EU666, 2009/125/EC, 1275/2009/EC ja seuraavien yhdenmukaistettujen standardien mukainen. EN 60335-1, EN 60335-2-69, EN 62233:2008, EN 55014-1:2017, EN 55014-2:2015, EN 61000-3-2:2014, EN 61000-3-3:2013.

Lisätietoa saa ottamalla yhteyden Trendiin alla olevalla osoitteella tai käyttöoppaan takana olevilla yhteystiedoilla. Allekirjoittanut antaa tämän lausunnon Trend Machinery & Cutting Tools Ltd:n puolesta.

Tekninen johtaja
Neil McMillan

Trend Machinery & Cutting Tools Ltd
Unit 6 Odhams Trading Estate
St Albans Road, Watford
Herts, WD24 7TR
Yhdistynyt kuningaskunta
25.02.2020

**PÖLYNIMURI
T32
TEKNISET TIEDOT**

Jännite	Iso-Britannia ja Irlanti Eurooppa	V _{AC}	230/115
		V _{AC}	230
Ottoteho	230v 115v	W	800
		W	800
Taajuus		Hz	50
Virtausnopeus		l/s	20
Enimmäisimuteho		mbar	146
Suodattimen pinta	HEPA	cmq	1850
Alipaine		K _{PA}	14,6
Pölykategoria			M
Kerupussin sisältö		L	15
Säiliö		L	20
Melu		dB	80
Letku	Pituus ulkohalkaisija	M	3
		mm	39
Koko	Korkeus x leveys	mm	492 x 375
Paino		kg	6,5kg
Värähtely		m/s ²	<=2,5
L _{PA}	(päästöjen äänepainetaso)	dB(A)	<=70
K _{PA}	(annetun äänitason epävarmuus)	dB(A)	1,5
L _{WA}	(äänitehotaso)	dB(A)	80
K _{WA}	(annetun äänitason epävarmuus)	dB(A)	1,5

Sulakkeet		
Iso-Britannia ja Irlanti	230V työkalut	13 pistokkeet
Iso-Britannia ja Irlanti	115V työkalut	16 verkko
Eurooppa	230V työkalut	16 verkko

KÄYTTÖTARKOITUS

Tämä kone on tarkoitettu palamattomien kuivapölyjen ja palamattomien nesteiden sekä vesi-ilma-seosten keräämiseen, imurointiin, kuljettamiseen ja erottamiseen. Pölykategorialuokan M pölynimuri on tarkoitettu ammattikäyttöön. Se soveltuu myymälöihin ja työpajoihin.

Standardin IEC/EN 60335-2-69 mukaan luokan M imuria saa käyttää vain sellaisten vaarallisten pölyjen imurointiin ja poistoon, joiden altistumisen raja-arvo on $\geq 0,1$ mg/

m3. Käytä pölynimuria vain, jos ymmärrät ja pystyt suorittamaan kaikki toiminnot ilman rajoituksia, tai jos olet saanut asianmukaiset ohjeet.

Tämä laite soveltuu ammattikäyttöön, esimerkiksi hotelleihin, kouluihin, tehtaisiin, myymälöihin ja toimistoihin.

Laite on tarkoitettu käytettäväksi vain kuivaimurina.

ÄLÄ anna lasten päästä käsiksi tähän laitteeseen. Valvonta on pakollista, mikäli kokemattomat henkilöt käyttävät tätä laitetta.



VAROITUS: Varmista, että kaikki suodattimet on asennettu.

VAROITUS: Käyttäjien on saatava riittävät ohjeet näiden koneiden käyttöön.

VAROITUS: Älä päästä virtajohtoa kosketuksiin pyörivien harjojen kanssa.

VAROITUS: Kone on tarkoitettu vain kuivakäyttöön.

VAROITUS: Kone ei sovellu vaarallisen pölyn keräämiseen.

VAROITUS: Kone on erotettava virtalähteestään irrottamalla pistoke pistorasiasta puhdistuksen tai kunnossapidon ajaksi, ja kun osia vaihdetaan tai kone muutetaan toiseen verkkokäyttöiseen toimintoon.

VAROITUS: Lapsia tulee valvoa, jotta he eivät leiki laitteella.

HUOMIO: Kone on vain sisäkäyttöön.

HUOMIO: Konetta saa säilyttää vain sisätiloissa.

HUOMIO: Älä ylikuormita työkalua.

HUOMIO: Puhdista suodattimet päivittäin.

HUOMIO: Älä täytä pussia liikaa.

ÄLÄ käytä pölynimuria palavaan pölyyn.

ÄLÄ käytä pölynimuria räjähdysriskissä tiloissa. Tätä tuotetta ei ole tarkoitettu sellaisten henkilöiden käyttöön (lapset mukaan lukien), joiden fyysiset, aistinvaraiset tai henkiset ominaisuudet ovat heikentyneet tai joilta puuttuu kokemusta, tietoa tai taitoa laitteen käyttöön, jollei heidän turvallisuudestaan vastaava henkilö ole heitä valvomassa. Lapsia ei saa koskaan jättää yksin tuotteen kanssa.

Sähköturvallisuus

Virransyöttö



VAROITUS:

Irrota pistoke pistorasiasta ennen minkään kunnossapitoimen suorittamista

Sähkömoottori on suunniteltu vain yhdelle jännitteelle. Tarkista aina, että virtalähteen jännite vastaa arvokilven jännitettä. Koneita, joiden merkintä on 230 voltia, voidaan käyttää myös 220 voltin jännitteellä. Pölynimuri toimitetaan tehtaalta varustettuna virtajohdolla/-kaapelilla, jossa on maadoitettu pistoke. Se tulee liittää hyväksytyyn maadoitettuun pistorasiaan.

Käytä jatkojohtoa

- Mikäli jatkojohto tarvitaan, käytä hyväksyttyä kolmijohdinjatkojohtoa, joka sopii tämän työkalun ottotoheon (katso tekniset tiedot). Johtimen vähimmäiskoko on 1,5 mm², enimmäispituus 30 m.
- Jos käytät kelalla olevaa jatkojohtoa, kierrä johto aina kokonaan auki kelalta.



VAROITUS:

115 V:n laitteita on käytettävä vikaantumattoman erotusmuuntajan kautta, jossa maadoitusruutu on ensiö- ja toisiokäämien välissä.



VAROITUS:

Lue käyttöopas loukkaantumisvaaran vähentämiseksi.

IMUROINNIN TURVALLISUUS

Tärkeitä turvallisuusohjeita



VAROITUS!

Lue kaikki turvallisuusvaroitukset ja kaikki ohjeet. Jos kaikkia varoituksia ja ohjeita ei noudateta, seurauksena saattaa olla sähköisku, tulipalo ja/tai vakava loukkaantuminen.

SÄILYTÄ KAIKKI VAROITUKSET JA OHJEET TULEVIA TARPEITA VARTEN. LUE KAIKKI OHJEET ENNEN LAITTEEN KÄYTTÖÄ JA NOUDATA OHJEITA.



VAROITUS:

Käyttäjien on saatava riittävät ohjeet näiden koneiden käyttöön.



VAROITUS:

Sähköiskuvaaran vähentäminen. Älä altista sateelle. Varastoi sisätiloissa.

- Vain kuivakäyttöön.
- Pakkausmateriaalit (esim. muovipussit) voivat olla vaarallisia. Pidä ne poissa lasten ja eläinten ulottuvilta.
- Käyttäjien on saatava riittävät ohjeet tämän koneen käyttöön.
- Ennen käyttöä käyttäjille on annettava tietoja, ohjeita ja koulutusta koneen käytöstä ja aineista, joihin sitä käytetään, mukaan lukien kerätyn materiaalin turvallinen poisto- ja hävitysmenetelmä.
- Käyttäjien on noudatettava kaikkia käsiteltäviä materiaaleja koskevia turvallisuusmääräyksiä. • Älä koskaan jätä laitetta vartioimatta käytön aikana. Älä jätä laitetta valvomatta, kun se on kytketty virtalähteeseen. Irrota laite pistorasiasta, kun sitä ei käytetä sekä ennen huoltamista. Käännä kaikki säätimet pois päältä ennen kuin irrotat laitteen pistorasiasta.
- Tätä laitetta ei ole tarkoitettu lasten tai sellaisten henkilöiden käyttöön, joiden fyysiset, aistinvaraiset tai henkiset ominaisuudet ovat heikentyneet, tai joilta puuttuu kokemusta ja tietoa, jollei heitä valvota tai ohjata.
- Lapset eivät saa leikkiä laitteella, tämä ei ole lelu.
- Käytä laitetta vain tässä käyttöoppaassa kuvatulla tavalla.
- Tämän koneen käyttö mihin tahansa muuhun tarkoitukseen kuin tässä oppaassa mainittuun voi olla vaarallista ja sitä on vältettävä.

- Käytä laitteen liitäntää vain tässä käyttöoppaassa mainittuihin tarkoituksiin.
- Tarkasta laite aina ennen käyttöä.
- Pidä imusuutin etäällä kehosta, etenkin herkiltä alueilta, kuten silmistä, korvista ja suusta.
- Älä irrota laitetta pistorasiasta virtajohdosta vetämällä. Tartu aina pistokkeeseen, älä vedä virtajohdosta.
- Älä vedä tai kanna laitetta virtajohdosta. Älä käytä virtajohtoa kahvana, jätä virtajohto oven väliin tai vedä virtajohto terävien reunojen tai kulmien ympäri. • Älä vedä laitetta virtajohdon päältä. Pidä virtajohto poissa kuumilta pinnoilta. • Älä käsittele pistoketta tai laitetta tai tartu virtajohtoon märin käsin.
- Älä työnnä mitään esineitä laitteen aukkoihin. Älä käytä laitetta, jos jokin aukko on tukkeutunut. Pidä aukot vapaina pölystä, nukasta, hiuksista ja kaikesta muusta, mikä saattaa heikentää ilmavirtaa.
- Pidä hiukset, väljät vaatteet, sormet ja kaikki kehonosat poissa laitteen aukkojen ja liikkuvien osien läheltä.
- Staattiset sähköiskut ovat mahdollisia kuivilla alueilla tai ilman suhteellisen kosteuden ollessa alhainen. Ne ovat vain tilapäisiä, eivätkä vaikuta murin käyttöön. Voit harventaa staattisten sähköiskujen tiheyttä lisäämällä ilmankosteutta konsolin tai asennetun ilmankostuttimen avulla.
- Tyhjennä säiliö jokaisen käyttökerran jälkeen, jotta välttät äkilliset syttymiset.
- Ole erityisen varovainen, jos puhdistat portailla tai tikkailta seisten.
- Laite on koottava oikein ennen käyttämistä.
- Varmista, että käytettävissä olevat pistorasiat sopivat koneelle.
- Tarkista, että arvokilven jännite vastaa syöttöjännitettä.
- Nämä koneet eivät sovellu terveydelle vaarallisten pölyjen tai syttyvien/räjähtävien aineiden (kuten tuhkan ja noen) imuroimiseen.
- Älä koskaan suorita mitään koneen huoltotoimenpiteitä irrottamatta sitä ensin sähköverkosta tai jätä sitä vartioimatta lasten tai vammaisten ulottuville.
- Koneetta ei saa upottaa veteen, eikä sitä saa puhdistaa vesisuihkulla.
- Tarkista virtajohto ja kone säännöllisesti vaurioiden varalta. Jos vaurioita ilmenee, älä käytä laitetta vaan ota yhteyttä huoltoliikkeeseen laitteen korjauttamiseksi.
- Jos virtajohto on vaurioitunut, se täytyy viedä vaihdettavaksi valmistajalle, sen valtuuttamaan huoltoliikkeeseen tai vastaavalle ammattitaitoiselle henkilölle vaarojen välttämiseksi.
- Jos käytössä on jatkojohto, sen pistokkeen ja liitäntän rakenteen tulee olla vesitiivis.
- Jos kone kääntyy ympäri, suosittelemme nostamaan sen pystyyn ennen pois päältä kytkemistä.

- Laitetta ei saa käyttää veden imemiseen säiliöistä, pesutiloista, ammeista jne.
- Älä käytä voimakkaita liuottimia tai puhdistusaineita.
- Huollon ja korjaukset saa suorittaa vain pätevä henkilöstö. Käytä vain alkuperäisiä Trend-varaosia huoltokorjauksissa.
- Valmistajaa ei voida pitää vastuussa mistään vahingoista/vammoista, joita aiheutuu laitteen väärinkäytöstä henkilöille, eläimille tai omaisuudelle.
- Käytä vain Trendin suosittelemia lisävarusteita ja alkuperäisiä Trend-varaosia.

SÄILYÄ NÄMÄ OHJEET

Lisäturvaohjeet



VAROITUS:

Tämän laitteen sisällä on haitallista pölyä. Tyhjennyksen ja kunnossapidon, mukaan lukien keruupussin poistaminen, saa suorittaa vain koulutettu henkilöstö, joka käyttää sopivia suojarusteita. Älä kytke päälle ennen kuin koko suodatinjärjestelmä on asennettu. Muutoin oma terveytesi vaarantuu.

- Älä kerää palavia tai savuavia kohteita, kuten kuumaa tuhkaa, tultikkuja tai savukkeita.
- Älä käytä syttyvien tai räjähtävien materiaalien, kuten jyvien, hiilen tai muiden hienojakeisten palavien materiaalien, imuroimiseen.
- Älä käytä vaarallisten, myrkyllisten tai karsinogeenisten materiaalien, kuten asbestin tai torjunta-aineiden, imuroimiseen.
- Älä koskaan kerää räjähtäviä nesteitä (esim. maalin ohenteita, bensiiniä, dieselipolttoainetta, lämmitysöljyä jne.), happoja tai liuottimia.
- Älä imuroi ilman suodattimia, paitsi jos niin on ohjeistettu tekemään käyttöoppaan Märkäimurointi-osiossa.
- Jotkin puumateriaalit sisältävät kyllästysaineita, jotka voivat olla myrkyllisiä. Ole erityisen varovainen, kun olet tekemisissä näiden materiaalien kanssa. Estä niiden hengittäminen ja ihokontaktit. Pyydä materiaalien valmistajalta mahdolliset turvallisuusohjeet ja noudata niitä.
- Älä käytä pölynimuria istuimena, tikkaina tai astinpuuna.
- Älä aseta painavia esineitä pölynimurin päälle.
- Älä ripusta pölynimuria roikkumaan esim. kuljetuksen ajaksi.



Käytä henkilönsuojaimia. Kuulonsuojaimia, suojalaseja ja hengityssuojainta täytyy käyttää.

JÄÄNNÖSRISKIT

Huolimatta asiaankuuluvien turvallisuusmääräysten noudattamisesta ja suojalaitteiden käyttämisestä, joitakin jäännösriskkejä ei voida välttää.

Niitä ovat:-

- Kuulon heikentyminen.
- Henkilövahinkojen vaara lentävien kappaleiden takia.
- Palovammojen vaara lisävarusteiden kuumentuessa käytön aikana.
- Henkilövahinkojen vaara pitkäkestoisen käytön vuoksi.

TYÖKALUN MERKINNÄT

Laitteessa on seuraavia kuvia.



Lue käyttöopas ennen käyttöä.



VAROITUS: Tämän laitteen sisällä on haitallista pölyä. Tyhjennyksen ja kunnossapidon, mukaan lukien keruupussin poistaminen, saa suorittaa vain koulutettu henkilöstö, joka käyttää sopivia suojavarusteita. Älä kytke päälle ennen kuin koko suodatinjärjestelmä on asennettu. Muutoin oma terveytesi vaarantuu.



Luokan M polynimurit soveltuvat vain sellaisten palamattomien pölyjen kuivaimurointiin, joiden työperäisen altistumisen raja-arvo on $\geq 0,1$ mg/m³.

VAROITUS: Pölynimurin sisällä on terveydelle vaarallisia materiaaleja. Tyhjentäminen ja kunnossapito, mukaan lukien pölynkeruusäiliöiden hävittäminen, on jätettävä asiantuntijoiden tehtäväksi. Vaatii asianmukaisen suojavarustuksen. Älä käytä pölynimuria ilman täydellistä suodatinjärjestelmää. Muutoin oma terveytesi vaarantuu.

Päivämääräkoodin sijainti

Päivämääräkoodi, joka sisältää valmistusvuoden, on painettu laitteen yläkoteloissa olevaan arvokilpeen.

TOIMITUKSEN SISÄLTÖ

- 1 x Kasettisuodatin HEPA H13
- 2 x Rullapyörä
- 2 x Pääpyörä
- 1 x Säiliö
- 1 x Synteettinen keruupussi
- 1 x Letku 3 m x 39 mm Ø, mukana suutin
- 2 x Jatkoputki
- 1 x Kaareva metalliputki
- 1 x Erittäin tehokas lattiaharja
- 1 x Kova lattiaharja
- 1 x Sähkötyökalun verkkolaite
- 1 x Rakotyökalu/harja
- 1 x Käyttöopas
- 1 x Takuukortti

OSIEN KUVAUS - (Fig 1.)

- A.** Käyttökytkin
- B.** Imunopeuden näyttö
- C.** Ravistelupainike
- D.** Kantokahva
- E.** Kasettisuodatin HEPA
- F.** Keruupussi
- G.** Säiliö
- H.** Säiliön letkun tuloliitäntä
- I.** Säiliön ilmanpoiston kaulus
- J.** Puhalluksen ulostulo
- K.** Kansi
- L.** Säiliön salpa
- M.** Rullapyörät
- N.** Pääpyörät
- O.** Letkun bajonettiliitin
- P.** Letku 3 m x 39 mm Ø
- Q.** Jatkoputket
- R.** Kaareva metalliputki
- S.** Rako-/harjatyökalu
- T.** Sähkötyökalun sovitin
- U.** Kova lattiaharja
- V.** Letkun suutin
- W.** Erittäin tehokas lattiaharja
- X.** Säilytyspaikka laitteessa

- Tarkista työkalu, osat tai lisävarusteet kuljetuksen aikana tapahtuneiden vaurioiden varalta. Osat ja lisävarusteet voivat olla säiliön sisällä.
- Käytä aikaa tämän käyttöoppaan lukemiseen ennen työkalun käyttöä.



KOKOAMINEN:

Älä koskaan muuta laitetta tai mitään sen osaa. Se voi aiheuttaa vaurion tai henkilövahingon.

KOKOAMINEN - (Fig 2.)

Lisävarusteet on kiinnitetty säiliön sisälle. Avaa säiliön kolme salpaa, poista moottorin kansi, poista lisävarusteet. Käännä säiliö kyljelleen, työnnä etummaisset rullapyörät paikoilleen. Etsi pääpyörät, lukitse ne paikoilleen napsauttamalla. Käännä säiliö pystyasentoon. Kiinnitä keruupussi (katso kohtaa Keruupussin asettaminen ja poistaminen). Varmista, että kasettisuodattimen siipiruuvi on kiristetty. Aseta moottori takaisin, ja varmista, että jokainen kolmesta säiliön salvasta on kiinni.

Keruupussin asettaminen - (Fig 3.)



- Avaa säiliön salvat ja poista kansi.
- Keruupussissa on pahvilla vahvistettu aukko, jossa on uloke yläreunassa.
- Varmista, että käsittelet keruupussia varovasti vaurioitumisen estämiseksi. Varo, ettei se jää kiinni säiliön ilmanpoiston kaulukseen tai muihin teräviin kohteisiin tai ulokkeisiin.
- Aseta keruupussi säiliöön aukko kohti polynimurin etuosaa.
- Vedä keruupussin aukko säiliön ilmanpoiston kauluksen päälle, ja varmista, että keruupussin aukko ylittää säiliön ilmanpoistoaukon reunan.
- Varmista, että keruupussi on työnnetty tiukkaan.
- Taivuta ylimääräinen keruupussi alas säiliöön.



HUOMIO:

Varo, ettei pussi vaurioidu, kun asetat tai poistat sitä.

Keruupussin poistaminen - (Fig.4)

Poista pussi irrottamalla säiliön letku ja vetämällä pussi irti säiliön ilmanpoistolaipasta. Sulje pussi taivuttamalla uloke sen päälle. Hävitä suodatin soveltuvaan säiliöön paikallisten määräysten mukaisesti. Hyvä käytäntö on vaihtaa pussi säännöllisesti, jotta moottorin optimaalinen jäähdytys voidaan taata. Jos polynimuria käytetään ilman paperista pölypussia, suosittelemme tyhjentämään ja puhdistamaan pölysäiliön jokaisen käyttökerran jälkeen.



Keruupussi täytyy vaihtaa, kun imunopeuden näyttö muuttuu punaiseksi ja pysyy punaisena.

Letkun, suuttimien ja putkien asentaminen - (Fig.5,5a)

- Yhdistä letku säiliöön painamalla bajonettiliittimellä varustettu letku säiliön letkun tuloaukkoon, ja varmista, että bajonettiulokkeet ovat pystysuorassa, lukitse ne kääntämällä myötäpäivään. Voit irrottaa letkun kääntämällä bajonettiliittimellä varustettua letkua vastapäivään ja irrottaa sen tuloaukosta.
- Suuttimet kiinnitetään työntämällä ne jatkoputkiin. Suuttimet irrotetaan kääntämällä osia vastakkaiseen suuntaan ja vetämällä irti.
- Käytä mattoihin yleissuutinta.
- Käytä lattioihin harjasuutinta, joka napsautetaan yleissuuttimeen.

Kasettisuodattimen kiinnittäminen/ poistaminen - (Fig.6)

- Kasettisuodatin painetaan paikoilleen kokonaisena ja kiinnitetään kääntämällä siipimutteria myötäpäivään. Tarkista, että se asettuu kunnolla.

Poistat kasettisuodattimen kääntämällä siipimutteria vastapäivään ja vetämällä kasettisuodattimen irti. Varmista, että kiinnitysruuvin ympärillä oleva tiiviste on paikallaan.



Tarkista aina ennen laitteen käyttämistä, että kaikki mukana toimitetut suodattimet ovat oikein paikoillaan.



KÄYTTÖ

Käytön aloittaminen

Varmista oikea jännite! Virtalähteen jännitteen täytyy vastata polynimurin arvokilvessä ilmoitettua jännitettä. Laitetta, johon on merkitty 230 V voidaan käyttää myös 220 V:n jännitteellä. Noudata HSE-ohjeissa annettuja ohjeita terveydelle vaarallisten materiaalien käsittelyssä.

- Kone on pidettävä aina vaakasoralla alustalla turvallisella ja vakaalla tavalla.
- Aseta sopivat suodattimet oikean käytön varmistamiseksi.
- Älä koskaan käytä laitetta ilman suodattimia.
- Käytä vaadittuun käyttöön soveltuvia lisävarusteita. Polynimuria ei yleisesti saa käyttää tiloissa, joissa on räjähdysvaara. Säätät energiaa kytkemällä imurin päälle vain, kun käytät sitä.

Päivittäinen imurointi

Älä käytä laitetta ilman polyuretaanivaahtosuodatinta, kasettisuodatinta tai keruupussia.

- Kiinnitä kasetti ja lukitse se paikalleen siipiruuvilla.
- Kytke pölynimuri päälle painamalla painike alas.
- Kytke pölynimuri pois päältä vapauttamalla painike.

Jos imunopeuden näyttö on punainen, pidä suodattimen ravistelupainiketta painettuna 3 sekunnin ajan (laitteen/ imutoiminnon täytyy olla päällä), suodatin jatkaa ravistelutoimintaa painikkeen vapauttamisen jälkeen vielä 5 sekunnin ajan. Jos näyttö muuttuu punaiseksi vain silloin, kun yhdistät sähkötyökaluun, varmista, etteivät työkalun imusuuttimet tai letku ole tukossa. Jos näyttö on kirkas, käyttö on OK. Tarkista virtaus säännöllisesti irrottamalla imuletku.

Jos punainen näyttö näkyy edelleen, pölypussi voi olla täynnä, ja se täytyy vaihtaa. Katso suodatin

HUOMAUTUS: Poistuvan ilman kiertäessä on oltava riittävä ilmanvaihto (M). Noudata vastaavia paikallisia määräyksiä.

Puhallustoiminto



HUOMIO:

toiminto ei ole käytössä, jos laitetta käytetään haitallisen pölyn kuivaimurointiin.

Irrota letku tuloaukosta ja työnnä letku bajonettiliittimen kanssa puhaltimen tuloaukkoon, joka sijaitsee sisäkannen päällä.

Kun päätät työskentelyn, kytke laite pois päältä ja irrota pistoke pistorasiasta.

Varastoi pölynimuri käytön jälkeen.

KUNNOSSAPITO JA HUOLTO

Käytä vain alkuperäisiä Trend-varaosia ja lisävarusteita.

- Irrota pistoke ennen minkään toimenpiteen tekemistä pölynimurille.
- Pidä pölynimuri ja ilmastointiaukot puhtaina, jotta käyttö olisi turvallista ja laite toimisi kunnolla.
- Käytä hengityssuojainta, kun teet kunnossapito- tai puhdistustoimia pölynimurille.
- Jos virtajohdon vaihtaminen on välttämätöntä, Trendin tai Trendin valtuuttaman huoltoliikkeen on vaihdettava se vaarojen välttämiseksi.
- Valmistajan tai sen valtuuttaman henkilön on tehtävä

pölytekninen tarkastus vähintään kerran vuodessa, esim. suodattimen vaurioiden, pölynimurin vuototiiviyyden ja ohjausyksikön toiminnan varalta.

- Saastuneessa ympäristössä olleiden M-luokan pölynimureiden ulkopinta ja kaikki koneen osat tulee puhdistaa tai käsitellä tiivesteaineilla.
- Kunnossapito- ja korjaustöitä suoritettaessa kaikki saastuneet osat, joita ei voida puhdistaa tyydyttävästi, on hävitettävä.
- Tällaiset osat on hävitettävä läpäisemättömissä muovipusseissa, jotka täyttävät voimassa olevat kansalliset määräykset tällaisen jätteen hävittämisestä.
- Käyttäjän huoltoa varten kone on purettava, puhdistettava ja huollettava niin pitkälle kuin se on kohtuudella mahdollista aiheuttamatta vaaraa huoltohenkilöstölle ja muille. Sopivia varotoimenpiteitä ovat puhdistaminen ennen purkamista, paikallisen suodatetun poistoilmanvaihdon käyttäminen purkamisen yhteydessä, huoltoalueen puhdistus ja sopivat henkilökohtaiset suojaimet.
- Menetelmä, jolla pölyttömien osastojen kannet olisi poistettava puhdistamista varten.
- Koneen ulkopinta puhdistetaan imuroimalla ja pyyhitään puhtaaksi tai käsitellään tiivesteaineella, ennen kuin kone viedään pois vaaralliselta alueelta. Kaikkia koneen osia pidetään saastuneina, kun ne poistetaan vaaralliselta alueelta, ja asianmukaisiin toimenpiteisiin on ryhdyttävä pölyn leviämisen estämiseksi.
- Käyttäjien on noudatettava kaikkia käsiteltävää materiaalia koskevia turvallisuusmääräyksiä.

Pölynimuri on purettava, puhdistettava ja huollettava käyttäjän puolesta niin pitkälle kuin on kohtuullista aiheuttamatta vaaraa huoltohenkilöstölle tai muille henkilöille. Ennen purkamista pölynimuri on puhdistettava mahdollisten vaarojen välttämiseksi. Tilassa / suljetussa paikassa, jossa pölynimuri puretaan, täytyy olla hyvä ilmanvaihto. Käytä henkilönsuojaimia kunnossapitotoimien aikana. Kunnossapitoalue tulee puhdistaa laitteen kunnossapidon jälkeen.

Puhdistaminen



VAROITUS:

Älä koskaan käytä liuottimia tai muita voimakkaita kemikaaleja laitteen muiden kuin metallisten osien puhdistamiseen. Nämä kemikaalit voivat heikentää näissä osissa käytettyjä materiaaleja. Älä päästä nesteitä koneen sisälle. Älä upota mitään laitteen osaa nesteeseen.

- Imuroi pölynimurin ulkopinta. Pyyhi koneen ulkopinnat kuivalla liinalla.
- Hävitä liina käytön jälkeen asianmukaiseen säiliöön.

Kasettisuodatin - (Fig 8.)

Kasettisuodatin tulee pestä säännöllisesti ulkopinnoilta juoksevan veden alla. Vältä suodatinpinnan vaurioitumista. Suosittelemme kuitenkin suodattimen vaihtamista kuuden kuukauden välein tai käyttöiheyden ja katutyypin mukaan.



VAROITUS:

Kun suodatin on puhdistettu, tarkista sen soveltuvuus jatkokäyttöön. Jos se on vaurioitunut tai rikki, vaihda se alkuperäiseen suodattimeen.

Voitelu

- Laite ei vaadi mitään lisävoitelua.

Varastointi

- Tyhjennä säiliö, Puhdista imuri sisäpuolelta ja ulkopuolelta, katso kohta Puhdistaminen.
- Puhdista tai vaihda suodattimet, katso kohta Suodattimet.
- Selkävammojen välttämiseksi poista täysi keruupussi tai tyhjennä imuroitu neste ennen kuin kuljetat pölynimuria.
- Kierrä johto kantokahvan ympärille ja kierrä imuletku säiliön ympärille.
- Kanna pölynimuria vain kantokahvasta.
- Säilytä laite ja lisävarusteet turvallisessa paikassa.
- Aseta laite ja lisävarusteet kuivaan tilaan ja estä niiden luvaton käyttö. Varastoi laite poissa lasten ulottuvilta.

YMPÄRISTÖNSUOJELU



Kierrätä raaka-aineet sen sijaan, että hävittäisit ne jätteenä.

Lisävarusteet ja pakkaus tulee lajitella ympäristöystävälliseen kierrätykseen.



Erilliskeräys. Tätä tuotetta ei saa hävittää kotitalousjätteen mukana.

Kotikäyttäjä

Paikallisten säädösten mukaan sähkötuotteiden osat saatetaan erottaa kotitalousjätteestä kunnallisissa jätteenkäsittelypaikoissa, tai jälleenmyyjä tekee sen, kun ostat uuden tuotteen. Saat ohjeita Trend-sähkölaitteiden hävittämisestä ympäristöystävällisellä tavalla soittamalla Trendin asiakaspalveluun tai menemällä osoitteeseen www.trend-uk.com

Yrittyskäyttäjä

Saat ohjeita Trend-sähkötuotteiden hävittämisestä soittamalla Trendin asiakaspalveluun.

TAKUU

Tämän laitteen mukana toimitetaan valmistajan takuu. Katso lisätietoja verkkosivustolta.

Löydät sinua lähimmän Trend-huoltoliikkeen soittamalla Trendin asiakaspalveluun tai katsomalla luettelon osoitteesta www.trend-uk.com.

VARUSTEET

Käytä vain alkuperäisiä Trend-lisävarusteita.

Kaikki varusteet ovat hankittavissa Trend-jälleenmyyjiltä. Löydät sinua lähimmän Trend-jälleenmyyjän osoitteesta www.trend-uk.com

Suodatinpussi

Vain kuivakäyttöön

Viite. T32/1 1 pois päältä

Viite. T32/1/5 5 pois päältä

Viite. T32/1/10 10 pois päältä

Kasettisuodatin HEPA

Ref. T32/2 1 pois päältä



Trend Machinery & Cutting Tools Ltd.

Odhams Trading Estate St Albans Road
Watford WD24 7TR England

Tel: 0044(0)1923 249911

technical@trendm.co.uk

www.trend-uk.com

© Trend Machinery & Cutting Tools Ltd. 2020.
® All trademarks acknowledged E&OE



RECYCLABLE

No part of this publication may be reproduced, stored or transmitted in any form without prior permission. Our policy of continuous improvement means that specifications may change without notice. Trend Machinery & Cutting Tools Ltd. cannot be held liable for any material rendered unusable, or for any for of consequential loss. E&OE.

