

trend[®]
tool technology



H/KWJ950

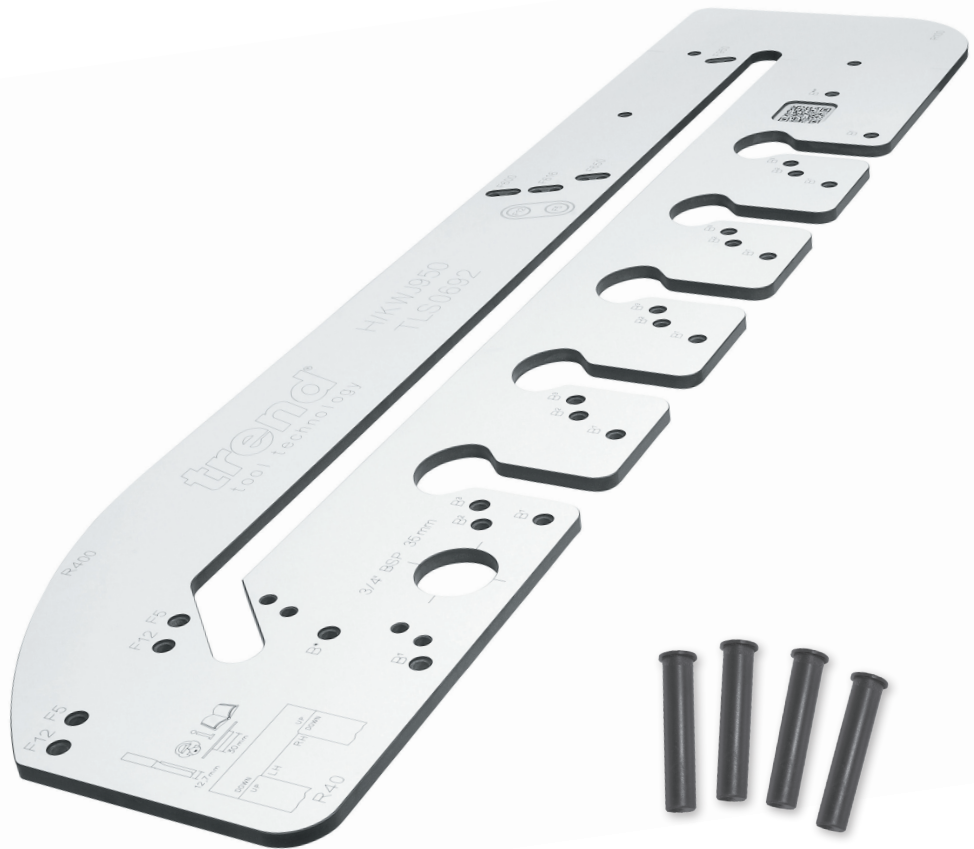


Fig. 1

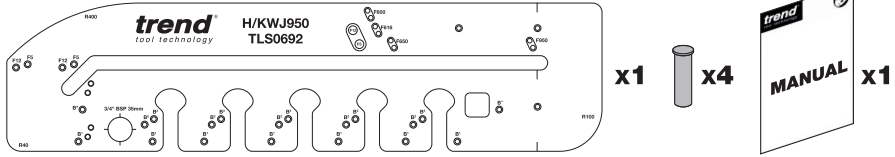
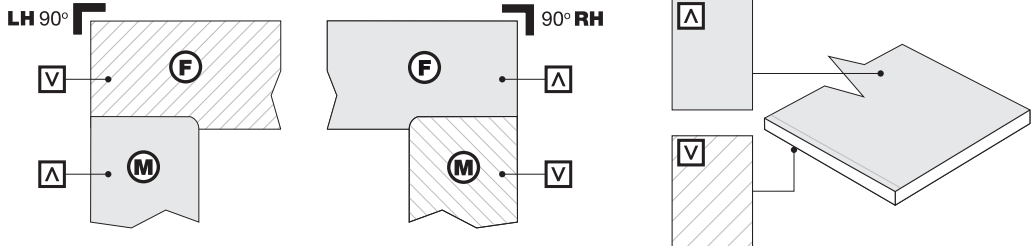
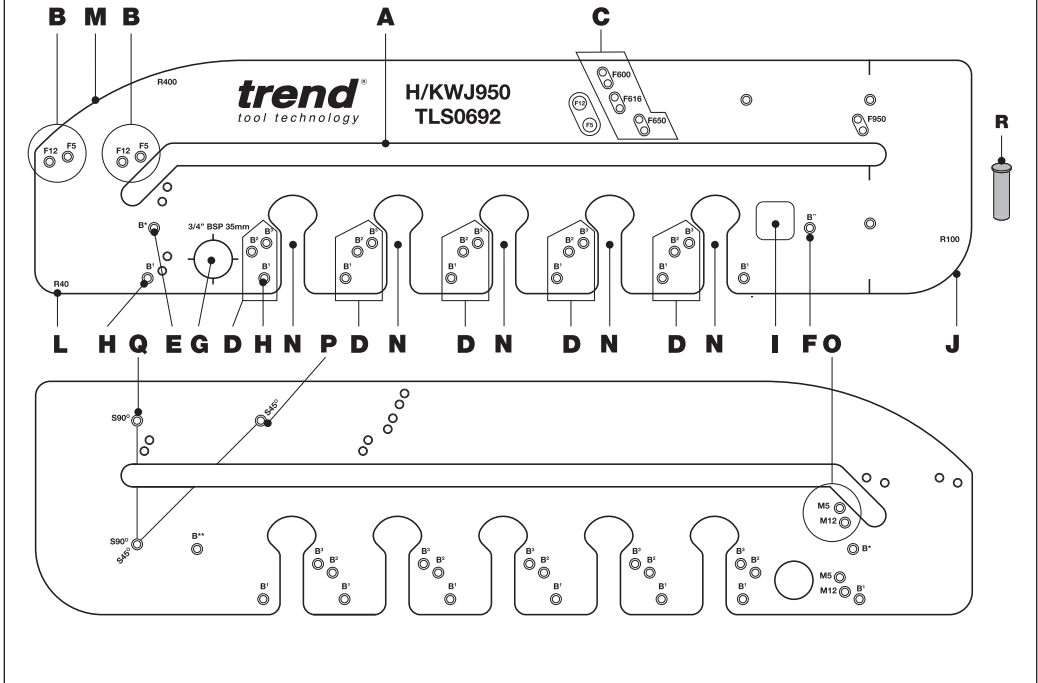


Fig. 2

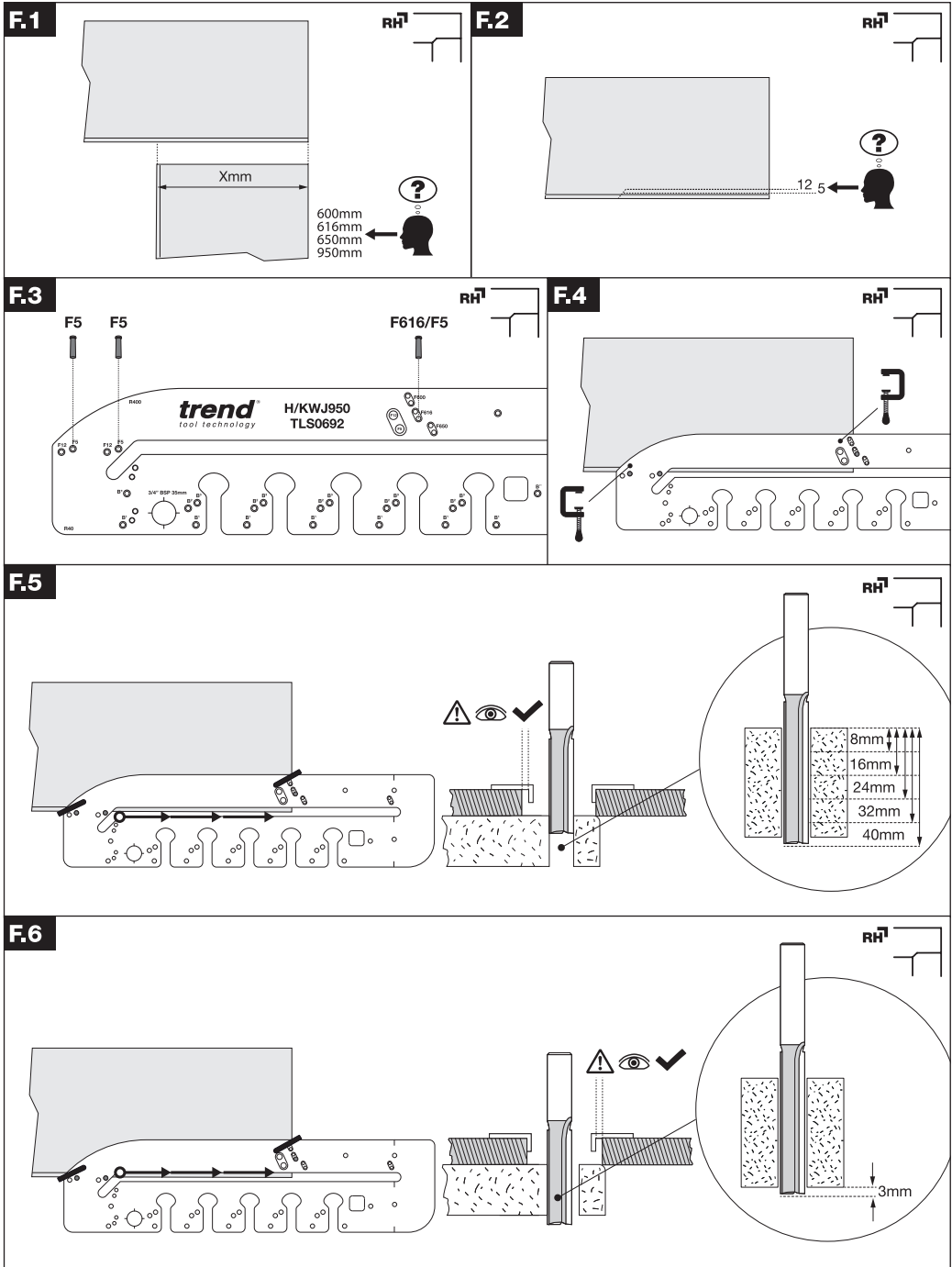


△ Worktop Face Up

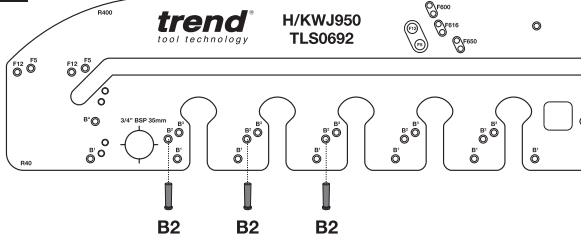
▽ Worktop Face Down

⊙ Female

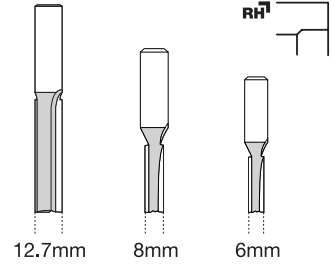
⊙ Male



F.7

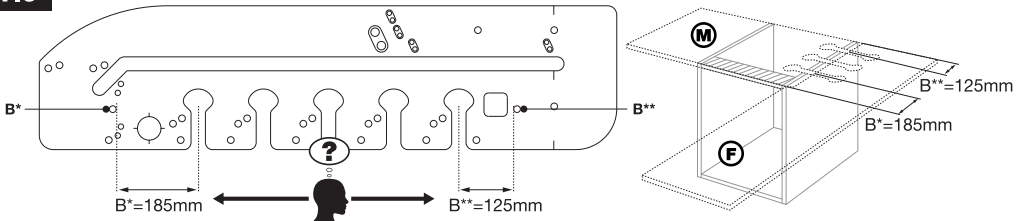


F.8

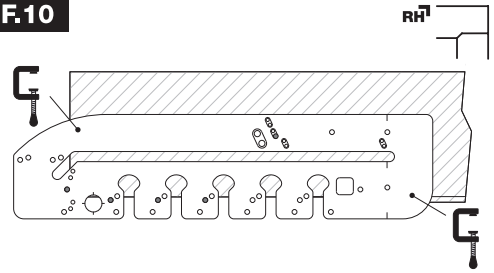


Bolt Image	Brand/ Model	Howdens Code	Bolt Length	Worktop Thickness	Jig Bolt Pin Position	Router Cutter Diameter
	HOWDENS GIR0020	GIR0020	155mm	26mm - 40mm	B1	12.7mm
	ZIPBOLT 10.700HT	GIR0026 GIR9991	164mm	26mm - 40mm	B1	12.7mm
	ZIPBOLT 10.858	GIR0029	158mm	16mm - 25mm	B1	8.0mm
	ZIPBOLT 18.100	GIR0041	100mm	12mm - 15mm	B2	6.0mm
	UNIKA Slimline Toggle		54mm	12mm - 12.5mm	B3	6.0mm

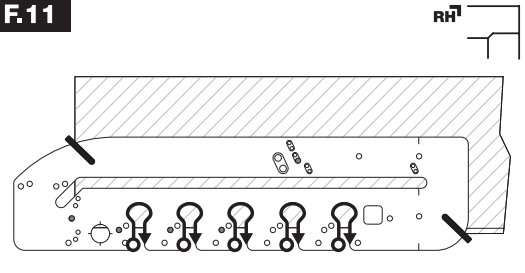
F.9



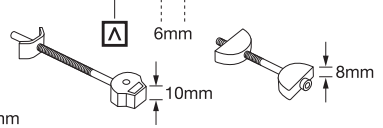
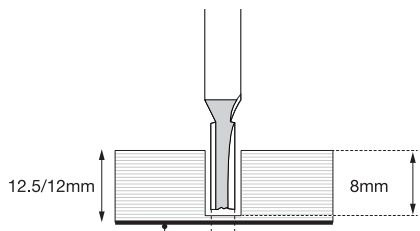
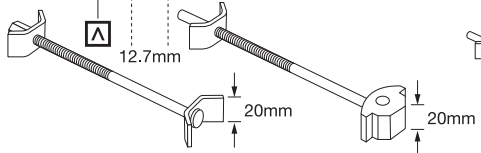
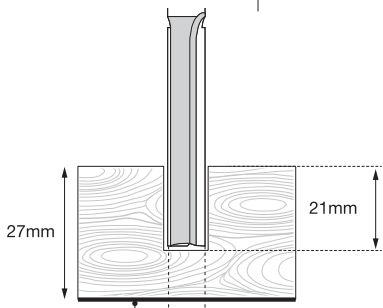
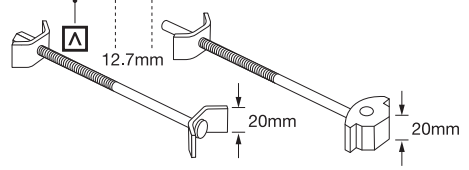
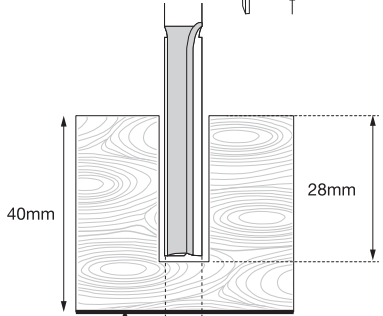
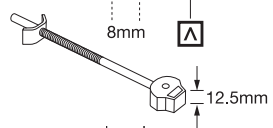
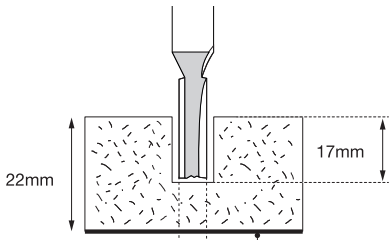
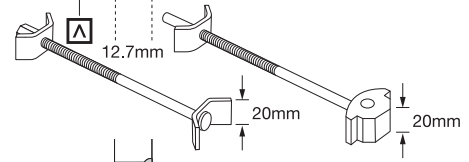
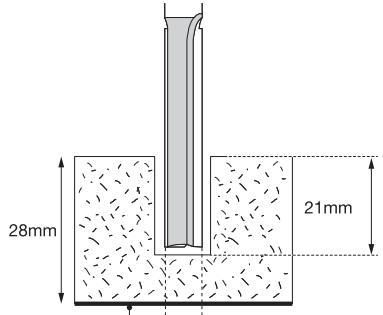
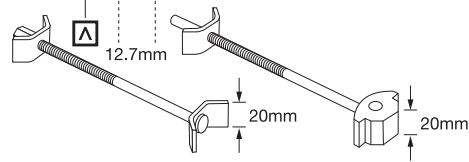
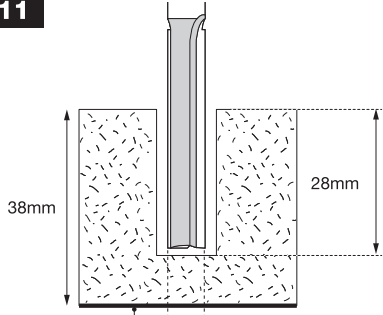
F.10

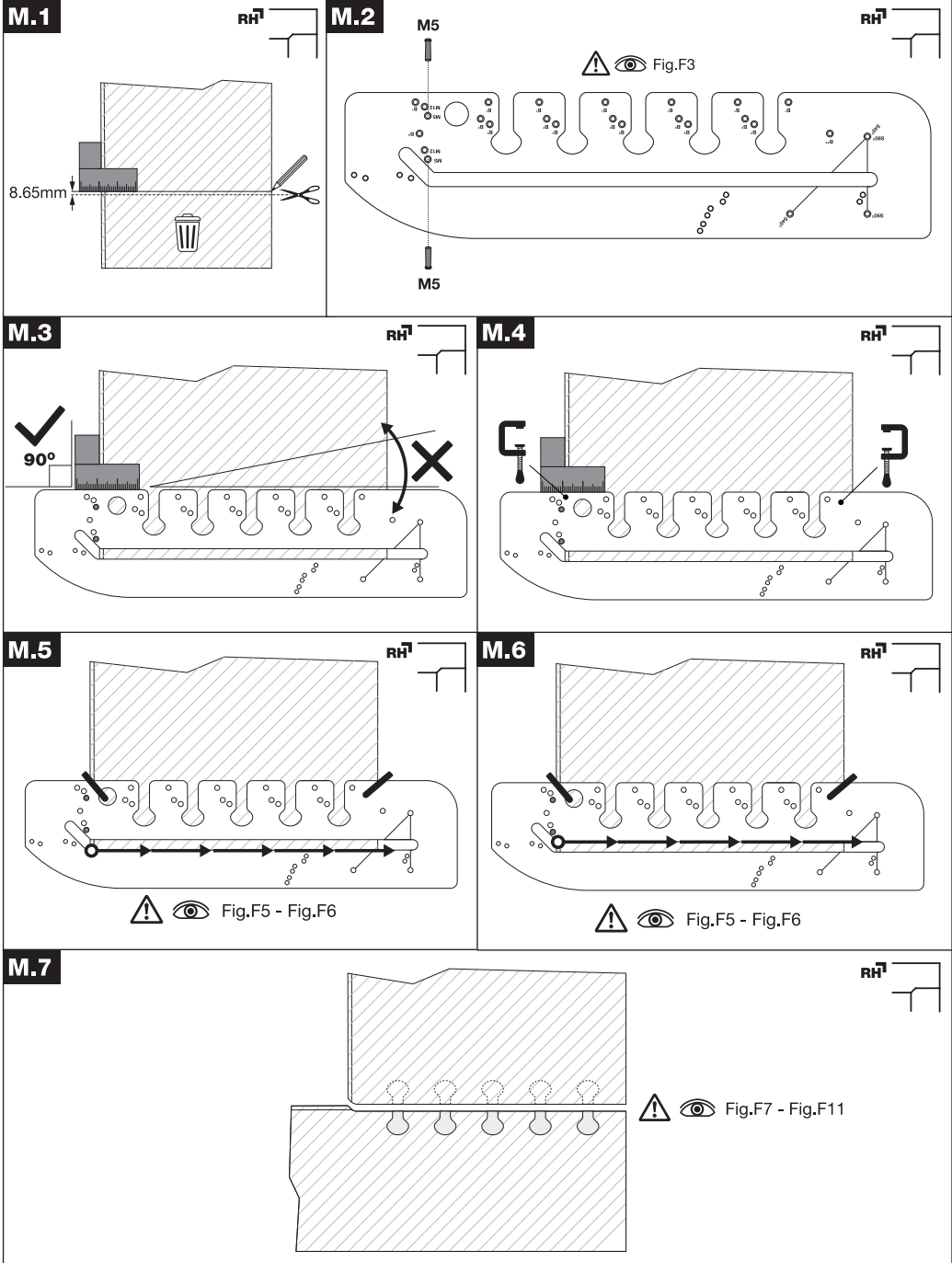


F.11

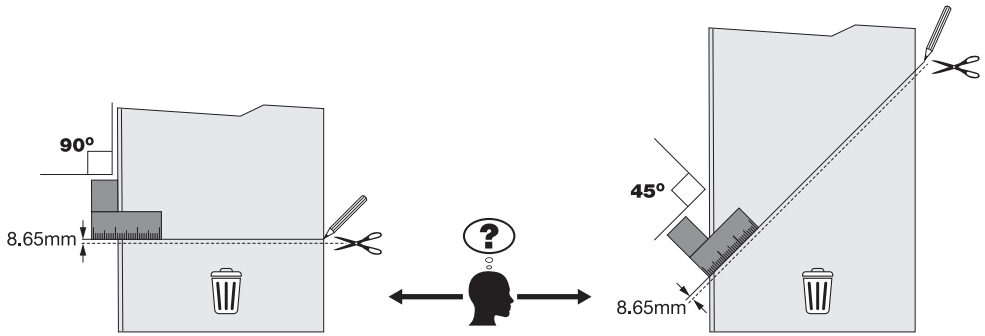


F.11

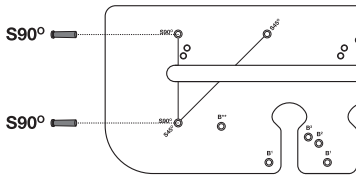




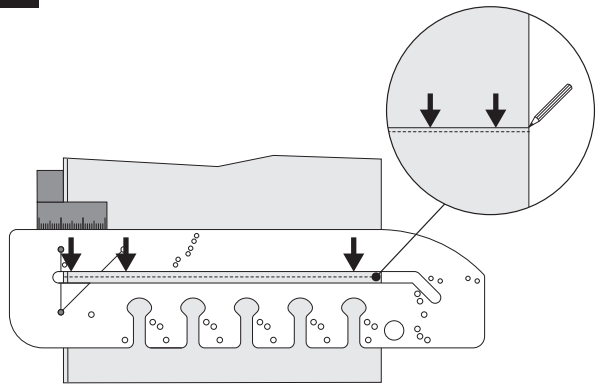
S.1



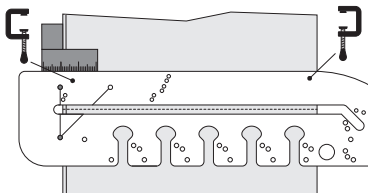
S.2



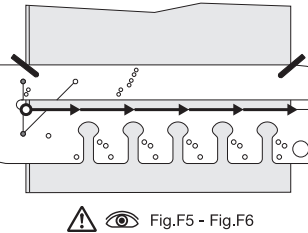
S.3



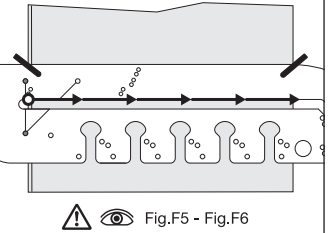
S.4



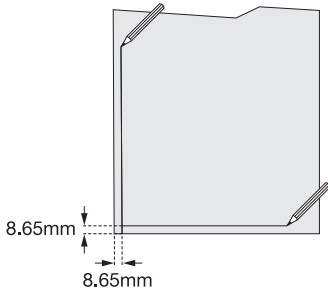
S.5



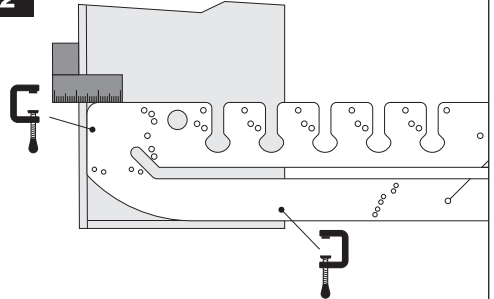
S.6



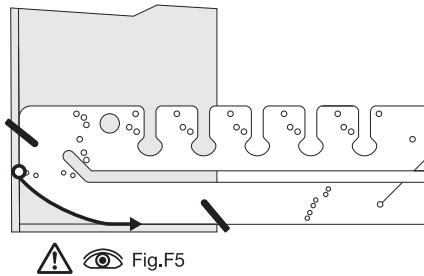
P.1



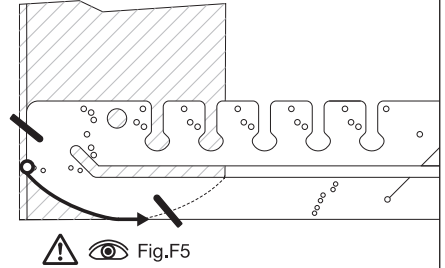
P.2



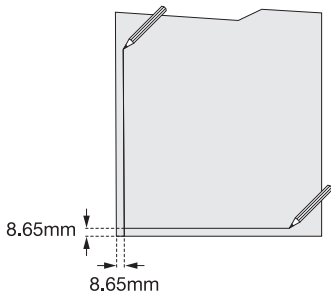
P.3



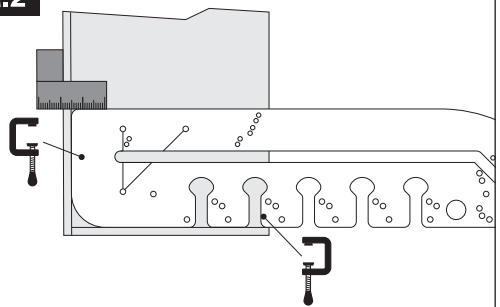
P.4



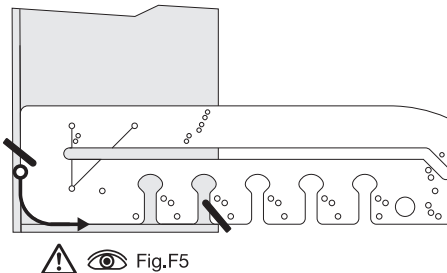
R.1



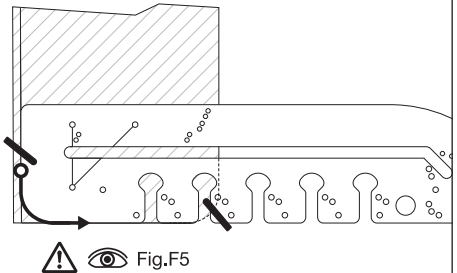
R.2



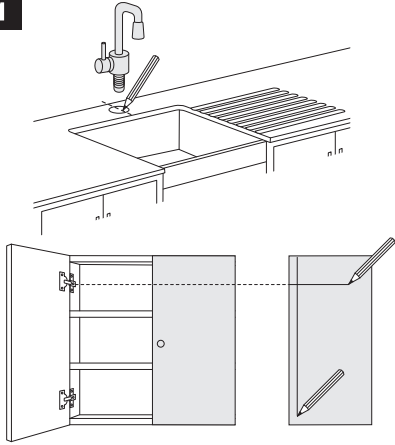
R.3



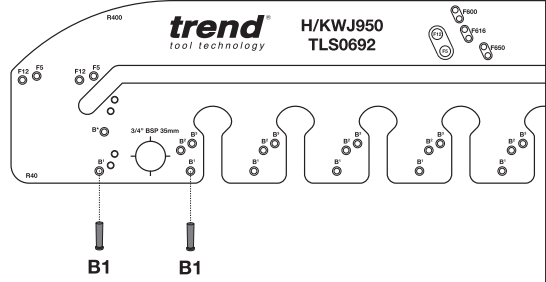
R.4



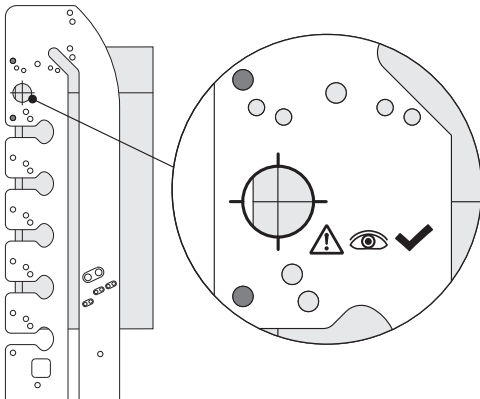
H.1



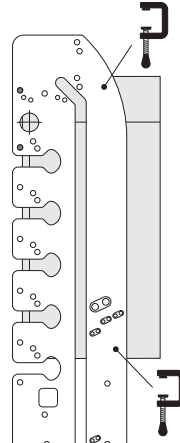
H.2



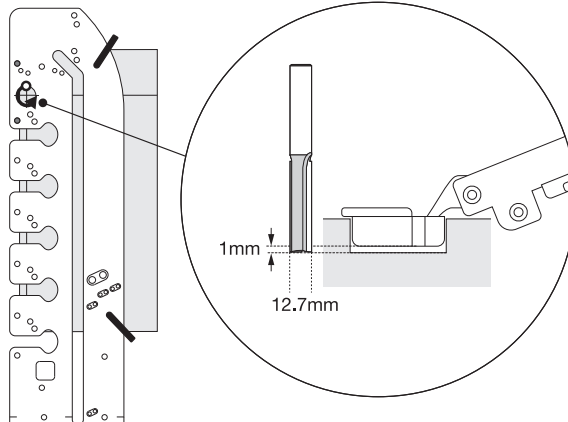
H.3



H.4



H.5



Thank you for purchasing this Trend product, we hope you enjoy many years of creative and productive use.

TECHNICAL DATA

	H/KWJ950
Cutter size	12.7mm/8.0mm/6.0mm
Worktop thickness max	45mm
Worktop width presets	600mm/616mm/650mm /950mm
Guide bush size	30mm

The following symbols are used throughout this manual:



Refer to the instruction manual of your power tool.



Denotes risk of personal injury, loss of life or damage to the tool in case of non-observance of the instructions in this manual.

This unit must not be put into service until it has been established that the power tool to be connected to this unit is in compliance with 2006/42/EC (identified by the marking on the power tool).

INTENDED USE

This jig is intended for use with a plunge router with suitable guide bush and router cutter fitted to rout a joint in laminate, timber, polymer resin, and compact laminate worktops (or a mix of any of the above).

SAFETY

Please read and understand the safety points in these instructions as well as you power tool instructions.

PLEASE KEEP THESE INSTRUCTIONS IN A SAFE PLACE.

Safety Points

1. Disconnect power tool attachment from power supply when not in use, before servicing, when making adjustments and when changing accessories such as cutters. Ensure switch is in "off" position and cutter has stopped rotating.
2. Read and understand instructions supplied with power tool, attachment and cutter.
3. Current Personal Protective Equipment (PPE) for eye, ear and respiratory protection must be worn. Keep hands, hair and clothes clear of the cutter.

4. Before each use check cutter is sharp and free from damage. Do not use if cutter is dull, broken or cracked or if any damage is noticeable or suspected. Only use tools for woodworking to EN847 safety standard. Ensure cutting tool is suitable for application.
5. The maximum speed (max) marked on tool or in instructions or on packaging shall not be exceeded. Where stated, the speed range should be adhered to.
6. Insert the shank into the router collet at least all the way to the marked line indicated on the shank. This ensures at least 3/4 of the shank length is held in collet. Ensure clamping surfaces are clean.
7. Check all fixing and fastening nuts, bolts and screws on power tool, attachment and cutting tools are correctly assembled, tight and to correct torque setting before use.
8. Ensure all visors, guards and dust extraction is fitted.
9. The direction of routing must always be opposite to the cutter's direction of rotation.
10. Do not switch power tool on with the cutter touching the workpiece.
11. Trial cuts should be made in waste material before starting any project.
12. Repair of tools is only allowed according to tool manufacturers instructions.
13. Do not take deep cuts in one pass, take shallow passes to reduce the side load applied to the cutter.
14. User must be competent in using woodworking equipment before using our products. Dress properly, no loose clothing/jewellery, wear protective hair covering for long hair.
15. Consider working environment before using tools. Ensure working position is comfortable and component is clamped securely. Keep proper footing and balance at all times. Check work area for obstructions. Keep control of power tool at all times.
16. Please keep children and visitors away from tools and work area.
17. All tools have a residual risk so must therefore be handled with caution.
18. Only use Trend original spare parts and accessories.
19. If you require further safety advice, technical information, or spare parts, please call Trend Technical Support or visit **www.trend-uk.com**

WARNINGS



Whenever clamps are used, ensure they do not foul the router path and that they are securely tightened.



In order to prevent breakout of the laminate, rotation of the cutter and feed direction of the router must always be into the postform edge of worktop.



Ensure worktop is held securely to trestles. Ensure jig is clamped securely to worktop and placed at a comfortable height.



Release plunge on router at end of each cut.



Ensure working position is comfortable. Keep proper footing at all times.



Please check hole size is suitable for mixer tap.



The radius size engraved into jigs is the resulting radius using a cutter and guide bush.



Support waste piece to avoid injury or damage to equipment.

ITEMS ENCLOSED - (Fig. 1)

- 1 x Worktop jig
- 4 x Jig pins
- 1 x Manual

DESCRIPTION OF PARTS - (Fig. 2)

- A.** Joint slot
- B.** Female joint inset pin holes "F5" / "F12"
- C.** Female joint offset pin holes "F600" / "F616" / "F650" / "F950"
- D.** Connector Bolt inset pin holes "B1" / "B2" / "B3"
- E.** Connector Bolt offset pin hole "B**" (185mm)
- F.** Connector Bolt offset pin hole "B***" (125mm)
- G.** 35mm Hinge & ¾ BSP recess
- H.** 35mm Hinge & ¾ BSP recess pin holes
- I.** QR Code
- J.** Radius corner R100
- L.** Radius corner R40
- M.** Curved peninsular R400
- N.** Connector Bolt slot
- O.** Male joint inset pin holes "M5" / "M12"
- P.** 45 degree cut pin holes "S45°"
- Q.** 90 degree cut pin holes "S90°"
- R.** Pin

ITEMS REQUIRED

- 1/2" plunge router
- 30mm guide bush
- Clamps x2
- 12.7mm diameter x 50m depth router cutter with ½" shank
- 8.0mm diameter x 50m depth router cutter with ½" shank*
- 6.0mm diameter x 50m depth router cutter with ½" shank*
- Trestles x2
- Sealant / glue
- Worktop connector bolts
- Wooden biscuits*

* Cutter and biscuit sizes required will depend on worktop thickness and worktop connector bolts used.

OPERATION



90° Right Hand Joint

Female Cut

- **Fig.F1:** Choose backset/worktop width (600mm, 616mm, 650mm or 950mm).
- **Fig.F2:** Choose inset depth (5mm or 12mm).
- **Fig.F3:** Insert pins in corresponding inset (two pins) and backset (one pin) holes.
NOTE: F5 = 5mm inset, F12 = 12mm inset.
- **Fig.F4:** Attach clamps. Ensure jig does not move whilst clamps are tightened.
- **Fig.F5:** Complete roughing cut. Ensure guide bush is tight to outside edge of joint slot (B) as indicated by router direction arrow. Ensure router plunge depth is limited as shown on each pass.
- **Fig.F6:** Complete finishing cut. Ensure guide bush is tight to inside edge of joint slot (B) as indicated by router direction arrow. Ensure router plunge depth is set to worktop thickness +3mm.
- **Fig.F7:** Use the bolt selection table to select the correct bolt pin position (either B1, B2, or B3). Insert pins as shown.
- **Fig.F8:** Use the bolt selection table to select the correct router cutter diameter. Install corresponding router cutter.
- **Fig.F9:** For 185mm connector bolt inset, insert pin into B*. For 125mm connector bolt inset, insert pin into B**. **NOTE:** Choose only one pin position.
- **Fig.F10:** Align all pins with worktop edge and attach clamps.
- **Fig.F11:** Cut bolt recesses. Ensure router plunge depth is limited to the worktop material and bolts used as shown.

Male Cut

- **Fig.M1:** Mark the cut line with a pencil. Offset 8.65mm and mark again.
NOTE: ensure offset pencil line is used for jig setup.
- **Fig.M2:** Insert pins into the Male positions. **NOTE:** ensure pin positions used match the inset and backset pin positions used for the female cut in Fig.F3.
- **Fig.M3:** Align joint slot (A) to offset pencil mark. For a 90° cut, ensure the jig is square.
- **Fig.M4:** Attach clamps. Ensure jig does not move when clamps are tightened.

- **Fig.M5:** Complete roughing cut. Ensure guide bush is tight to outside edge of joint slot (A) as indicated by router direction arrow. Ensure router plunge depth is limited as shown on each pass as shown in Fig.F5.
- **Fig.M6:** Complete finishing cut. Ensure guide bush is tight to inside edge of joint slot (A) as indicated by router direction arrow. Ensure router plunge depth is set to worktop depth +3.0mm as shown in Fig.F6.
- **Fig.M7:** Mark bolt recess location to match female cut bolt positions, and ensure cutter type, cutter depth and pin positions match Fig.F7 – Fig.F11.

Square Cut

- **Fig.S1:** Choose either 90° or 45° cut and mark the cut line with a pencil. Offset 8.65mm and mark again.
NOTE: ensure offset pencil line is used for jig setup.
- **Fig.S2:** Insert pins in either S90° or S45° holes as required.
- **Fig.S3:** Align joint slot (A) to offset pencil mark.
- **Fig.S4:** Attach flush clamps. Ensure jig does not move whilst clamps are tightened.
- **Fig.S5:** Complete roughing cut. Ensure guide bush is tight to outside edge of joint slot (A) as indicated by router direction arrow. Ensure router plunge depth is limited as shown on each pass as shown in Fig.F5.
- **Fig.S6:** Complete finishing cut. Ensure guide bush is tight to inside edge of joint slot (A) as indicated by router direction arrow. Ensure router plunge depth is set to worktop depth +3.0mm as shown in Fig.F6.

Peninsula Cut

- **Fig.P1:** Mark 8.65mm offsets with a pencil.
- **Fig.P2:** Align edge of jig to pencil marks and attach flush clamps.
- **Fig.P3:** Complete cut. Ensure guide bush is tight to outside edge of jig as indicated by router direction arrow. Ensure router plunge depth is limited as shown on each pass as shown in Fig.5.
- **Fig.P4:** Flip worktop and repeat Fig.P1 - Fig.P3.

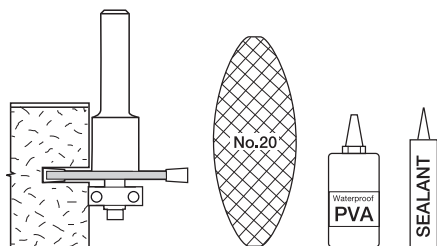
45° / R100 / R40 Cut

- **Fig.R1:** Mark 8.65mm offsets with a pencil.
- **Fig.R2:** Align edge of jig to pencil marks and attach flush clamps.
- **Fig.R3:** Complete cut. Ensure guide bush is tight to outside edge of jig as indicated by router direction arrow. Ensure router plunge depth is limited as shown on each pass as shown in Fig.F5.
- **Fig.R4:** Flip worktop and repeat Fig.R1 - Fig.R3.

35mm Hinge Cut / Tap Hole

- **Fig.H1:** Mark hinge / tap centre with a pencil.
- **Fig.H2:** Insert pins into B1 holes as indicated.
- **Fig.H3:** Align pins with door/worktop edge and hole centre with hinge/tap position.
- **Fig.H4:** Attach clamps. Ensure jig does not move whilst clamps are tightened.
- **Fig.H5:** Cut hinge/tap recess. For hinges, ensure router plunge depth is limited to the hinge depth +1mm.

Sealing the Joint



The cut edges of the joint should be coated with a water-resistant adhesive, or sealant before assembly, to prevent moisture seeping into the core of the worktops, which would swell, and disfigure the worktop.

Use a fine grit abrasive paper to clean up the torn wood chips of both mating surfaces.

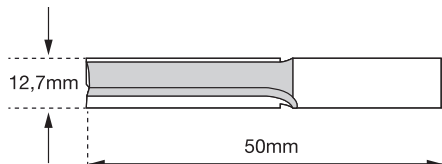
Lightly run the abrasive paper along the edges to de-nib the cut chipboard edge. This will ensure a tidy joint is achieved.

ACCESSORIES

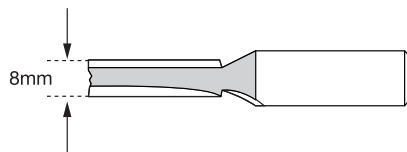
Please use only Trend original accessories.

Recommended Cutters

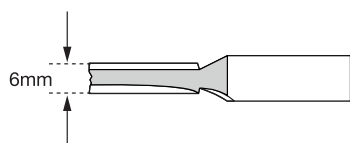
- Ref. BR01X1/2TC(TLS0642), TR17D(TLS0639)



- Ref. C012CX1/2TC(TLS0611)

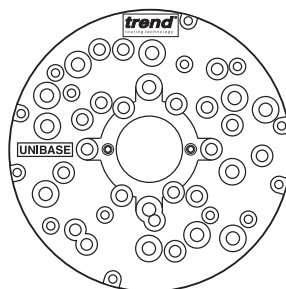


- Ref. C005X1/2TC(TLS0612)



Sub-base Set

- Ref. UNIBASE
- To obtain a perfect accurate close fitting joint, a 30mm guide bush must be used. The guide bush must always be fitted concentric with the cutter. This can be achieved using a Universal Sub-base and 30mm outside diameter guide bush ref. GB30/A.
- The Universal Sub-base has a central recess to allow fitting of the guide bush to most makes of routers and is available ready to fit the most popular makes.
- The Sub-base contains screws, a line up bush and two line up pins. The line up pins and bush ensure exact alignment of Sub-base with router spindle, when fitted with the relevant collet.



30mm Guide Bush

- Ref. GB30/A



Biscuit Jointer for the Router

- Ref. BR03X(TLS0089)

Flat Biscuit

- Ref. H/BSC/20/100/F (Pack of 100 biscuits)
- Ref. H/BSC/20/1000/F (Pack of 1000 biscuits)

MAINTENANCE

Please use only Trend original spare parts and accessories.

The jig has been designed to operate over a long period of time with a minimum of maintenance. Continual satisfactory operation depends upon proper tool care and regular cleaning.

Cleaning

- Regularly clean the jig with a soft cloth.

Lubrication

- Your jig requires no additional lubrication.

Storage

- After use store jig in its packaging or it can be hung on a wall hook. An accessory case is available, Ref. CASE/700.

ENVIRONMENTAL PROTECTION

Recycle raw materials instead of disposing as waste. Packaging should be sorted for environmental-friendly recycling.

The product and its accessories at the end of their life should be sorted for environmental friendly recycling.

TROUBLESHOOTING		
Fault	Cause	Remedy
Joint does not fit correctly at the radius.	Cutter or guide bush is the incorrect diameter or location pins are not against the worktop edge.	Check concentricity of cutter with guide bush. Cutter 12.7mm diameter with 30mm diameter guide bush. Ensure location pins touch worktop.
When clamped together, the joint has irregular gaps.	The guide bush has drifted away from the edge of the template whilst cutting either part of the joint, or wood chips in particle board have torn slightly.	Check with a straight edge which part of the joint is uneven and re-cut (this can only be done on the male cut), ensuring that the guide bush is kept against the template by machining from left to right. Use abrasive paper to remove torn wood chips.
Chipped laminate.	Can be caused by a blunt cutter or removing too much material at one pass or exiting out of postform edge.	Always use sharp cutters and when cutting through the laminate cut 3-4mm of material. Maintain correct feed direction to ensure cutter enters postform edge.
Jig slipping on material.	Clamps not secure or too deep a cut being made or cutter is blunt.	Check clamps for wear. Clamp securely, take shallow passes, use a sharp cutter.
Cut joints not square.	Router has tilted or operator has leaned heavily on router causing jig flex.	Ensure jig is supported and do not push hard on router taking shallow passes. Ensure weight of router is on supported part of jig and that the router is upright.
Assembled joint not flush or bowed.	Worktop different thickness or worktop not flat (cupped).	Ensure worktop is same thickness and flat.



Trend Tool Technology Ltd.
Watford, WD24 7TR, England
Tel: 0044(0)1923 249911
technical@trendm.co.uk
www.trend-uk.com

EU Importer:
Trend Tool Technology Ltd.
3rd Floor, Kilmore House, Park Lane, Spencer Dock,
Dublin 1, Ireland

© Trend Tool Technology Ltd. 2022.
© All trademarks acknowledged E&OE



RECYCLABLE

No part of this publication may be reproduced, stored or transmitted in any form without prior permission. Our policy of continuous improvement means that specifications may change without notice. Trend Tool Technology Ltd. cannot be held liable for any material rendered unusable, or for any for of consequential loss. E&OE.



MANU/H/KWJ950 v1.0