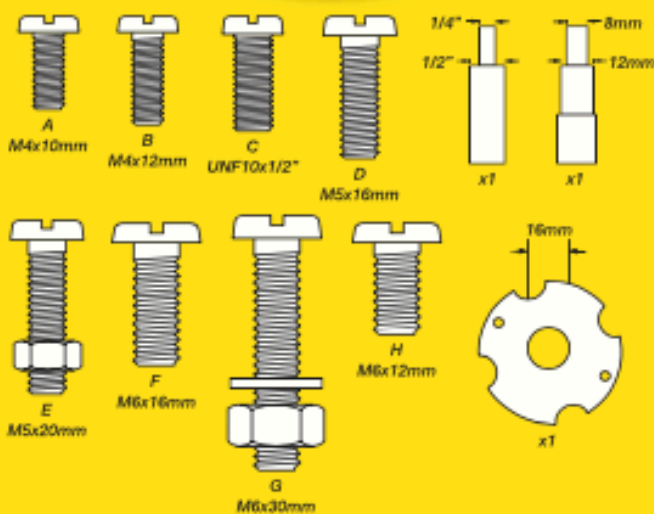


# trend<sup>®</sup>

tool technology

• INCLUDES • BEINHALTET • COMPREND • OMFVAT • OMFATTER  
• INNEFATTAR • INKLUDERER • SISÄLTÄÄ



OPTIONAL ACCESSORY • OPTIONALES ZUBEHÖR • ACCESSOIRE  
EN OPTION • OPTIONEEL ACCESSOIRE • VALGFRIT TILBEHØR  
• EXTRA TILLBEHÖR • VALGFRITT TILBEHØR • LISÄVARUSTE

METAL GUIDE BUSHES • FÜHRUNGSBUCHSEN AUS METALL  
• BAGUES DE GUIDAGE EN MÉTAL • METALEN GELEIDEBUSSEN  
• METALFÖRINGSBUSKE • METALLBUSSNINGAR  
• METALLFÖRINGSHYLSER • METALLISET OHJAUSHOLKIT

10mm ø **GB10** 20mm ø **GB20** 30mm ø **GB30**  
12mm ø **GB12** 22mm ø **GB22** 32mm ø **GB32**  
14mm ø **GB14** 24mm ø **GB24** 40mm ø **GB40**  
16mm ø **GB16** 26mm ø **GB26**  
18mm ø **GB18** 28mm ø **GB28**



SPARE SCREWS • ERSATZSCHRAUBEN • VIS DE RECHANGE  
• RESERVE SCHROEVEN • RESERVESKRIFTER •  
RESERVSKRIFTER • RESERVESKRAV • VARASTUSRUUVIT  
Guide Bush Screws 2BA (10pcs) **GB/01**



<b>BOSCH</b>	POF600ACE GOF1300ACE >2003, GOF900 >2003, POF1400ACE POF1300ACE	3 5 4	FX 2 GX 3 GX 3
<b>CASALS</b>	CT3000VCE	14	EX 2
<b>DEWALT</b>	DW613, DW614, DW615, DW620, DW621, DW625EX, DW629 D26203 D52504K (PLUNGE BASE ONLY)	1 15 1	FX 2 EX 2 HX 2
<b>ERBAUER</b>	ERB380ROU, ERB381ROU	14	EX 2
<b>FESTOOL</b>	OF2000(E) OF1010EBC	7 6	EX 3 EX 2
<b>FREUD</b>	FT3000VCE	14	EX 2
<b>GMC</b>	GERT1800W	10	DX 2
<b>HIKOKI</b>	M12VE, M8V2	9	EX 2
<b>KATSU</b>	101749 (PLUNGE BASE ONLY)	13	DX 2
<b>MAKITA</b>	3612(C), RP2300FC, RP2301FCX, RP1801X RP0900, M3601, DRT50ZX3 & RT0700CX2 (PLUNGE BASE ONLY)	14 13	EX 2 DX 2
<b>PERLES</b>	OF3, OF9E	1	HX 2
<b>TACKLIFE</b>	PTR01A	1	HX 2
<b>TREND</b>	T4, T5, T10, T11 T7	1 14	HX 2 EX 2
<b>VONHAUS</b>	1600W	9	EX 2
<b>WORX</b>	WX15RT	9	EX 2

**Trend Machinery & Cutting Tools Ltd.**

Tel: 0044(0)1923 249911  
technical@trendm.co.uk  
www.trend-uk.com



© All trademarks acknowledged.

Ref.  
**UNIBASE**



5 027654 320082 >