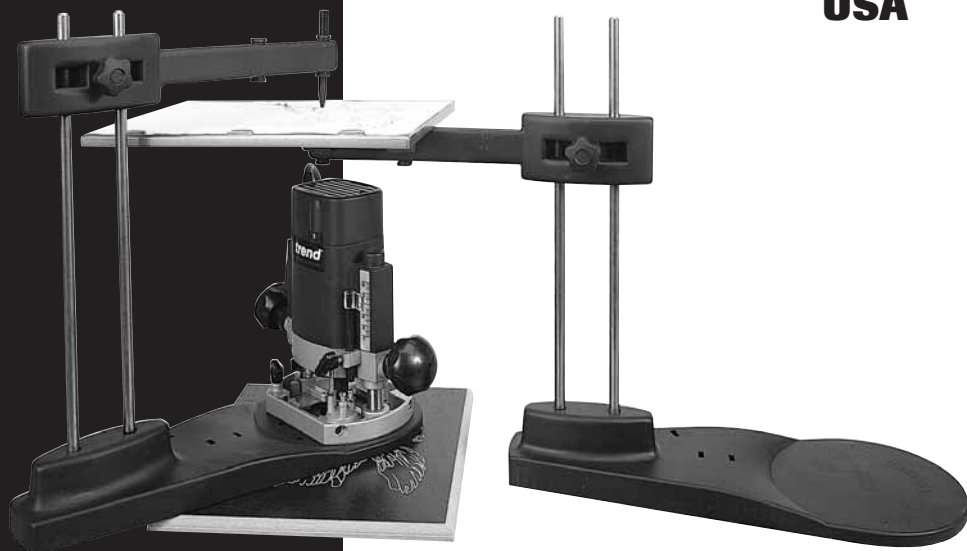


ROUTASKETCH USA



trend[®]
routing technology

International Patent No.:
PCT/GB01/02290

Dear Customer

Thank you for purchasing this Trend product, we hope you enjoy many years of creative and productive use.

Please remember to return your guarantee card within 28 days of purchase.

CONTENTS

TECHNICAL DATA	1
SAFETY	2-3
ITEMS ENCLOSED	4
DESCRIPTION OF PARTS	5
ASSEMBLY	6
– Router Fixing Screw Selection	7
– Setting-up Router/Stylus Concentricity	8
– Setting-up Rotazip ‘Rebel’ with plunge attachment	9
– Setting-up the Routasketch Assembly	9
OPERATION	10
DRAWING IDEAS	11
MAINTENANCE	11
RECYCLING	11
GUARANTEE	11
SPARE PARTS	
– Spare Parts List	12
– Spare Parts Diagram	12

TECHNICAL DATA

Max. workpiece width	32"
Max. workpiece height	24"
Working area required	11 3/4" x 8 1/4"
Overall height	16 1/2"
Weight	6 lbs

The following symbols are used throughout this manual:



Denotes risk of personal injury, loss of life or damage to the tool in case of non-observance of the instructions in this manual.



Refer to the instruction manual of your power tool.



IMPORTANT!
For use with plunge routers and Rotozip only.

For Technical Support

Email: technical@trend-usa.com



Caution

Carefully read through this entire instruction Manual and the entire router Operator's Manual before using your new Routasketch. Pay close attention to the Safety section and the Safety Symbols. If you use your Routasketch properly and only for what it is intended, you will enjoy years of safe, reliable service.



The operation of any router can result in foreign objects being thrown into your eyes, which can result in severe eye damage. Before beginning power tool operation, always wear safety glasses with side shields and a full face shield when needed. We recommend Wide Vision Safety Mask for use over eyeglasses or standard safety glasses with side shields. Always wear eye protection.

SAFETY



Observe the safety regulations in the instruction manual of the Power Tool to be used or connected to this attachment. Also observe any applicable additional safety rules. Read the following safety instructions before attempting to operate this product.

PLEASE KEEP THESE INSTRUCTIONS IN A SAFE PLACE.

General

- Disconnect power tool, when not in use. Before servicing and when changing accessories such as cutters. Disconnect power tool and attachment from power supply. Ensure the machine is switched off before plugging tool in or connecting to a power supply.
- Always mount the power tool, accessory or attachment in conformity with the present instructions.
- Keep children and visitors away. Do not let children or visitors touch the tool, accessory or attachment. Keep children and visitors away from work area.
- Make the workshop child proof with padlock and master switch.
- Dress properly. Do not wear loose clothing or jewellery, they can be caught in moving parts. Rubber gloves and non-skid footwear is recommended when working outdoors. Wear protective hair covering to contain long hair.
- Consider working environment. Do not use the product in the rain or in a damp environment. Keep work area well lit. Do not use power tools near gasoline or flammable liquids. Keep workshop at a comfortable temperature so your hands are not cold.
- The accessory or attachment must be kept level and stable at all times.
- Keep work area clean. Cluttered workshops and benches can cause injuries
- Use the attachment with the power tools and accessories specified in this manual only. Do not force the tool or attachment to do a job for which it is not designed.
- Secure idle tools. When not in use, tools should be stored in a dry and high or locked up place, out of reach of children.
- For best control and safety use both hands on the power tool and attachment. Keep both hands away from cutting area. Always wait for the spindle and cutter to stop rotating before making any adjustments.
- Always keep guards in place and in good working order.
- Remove any nails, staples and other metal parts from the workpiece.
- Maintain tools and cutters with care. Keep cutters sharp and clean for better and safer performance. Do not use damaged cutters. Follow instructions for lubricating and changing accessories. Keep handles dry, clean and free from oil and grease.
- Maintain accessories. Do not use damaged accessories. Only use accessories recommended by the manufacturer.
- Check damaged parts. Before operation inspect the attachment, the power tool, the cable, extension cable and the plug carefully for signs of damage. Check for alignment of moving parts, binding, breakage, mounting and any other conditions that may effect its operation. Have any damage repaired by an Authorised Service Agent before using the tool or accessory.
- Do not use tool if switch does not turn it on or off. Have defective switches replaced by an Authorised Service Agent.
- Don't over reach. Keep proper footing and balance at all times.
- Don't abuse the cable. Never carry power tool or accessory by cord or pull it to disconnect from the socket. Keep cord from heat, oil and sharp edges. Always trail the power cord away from the work area.
- Connect dust extraction equipment. If devices are provided for the connection of dust extraction and collection facilities, ensure these are connected and properly used.
- Check all fixing and fastening nuts, bolts and screws before use to ensure they are tight and secure. Periodically check when machining over long periods.
- Stay alert. Watch what you are doing. Use common sense. Do not operate tools when you are tired, under the influence of drugs or alcohol.
- Personal Protective Equipment (PPE). All PPE must meet current legislation.
- Do not leave tools running unattended. Do not leave tool until it comes to a complete stop.
- Always clamp workpiece being machined securely.

Routing Safety

- Disconnect router power tool. When not in use, before servicing and when changing accessories such as cutters, disconnect router and attachment from power supply.
- Ensure router cutter has stopped rotating before changing it. Never use the spindle lock as a brake.
- Remove adjusting keys and spanners. Form the habit of checking to see that keys and adjusting spanners are removed from the router tool, cutter and attachment before turning router on. Make sure cutter can rotate freely.
- Check all ball bearing and blade fixing screws before use to ensure they are tight and secure. Periodically check when machining over long periods.
- When using a template guide bush ensure it cannot come into contact with collet and nut.
- Noise. Take appropriate measures for the protection of hearing if the sound pressure of 85dB(A) is exceeded. Routing sound pressure may exceed 85dB(A), so ear protection must be worn.

- Eye protection. Wear safety goggles, spectacles or visors to protect the eyes from ejected waster particles.
- Respiratory protection. Wear a face or dust mask, or powered respirator. Dust masks/filters should be changed regularly.
- Do not switch router on with the cutter touching the workpiece.
- The direction of routing must always be opposite to the cutter's direction of rotation.
- After work, release the router plunge and allow spindle to stop rotating before putting machine down.
- Check before cutting that there are no obstructions in the path of the router. When cutting through the full thickness of the workpiece, ensure there are no obstacles beneath workpiece, and that a sacrificial work surface is used.
- Cutters should be kept clean. Resin build up should be removed at regular intervals with Resin Cleaner[®]. The use of a dry lubricant (Trendicote[®] PTFE) will act as a preventative. Do not use PTFE spray on plastic parts.
- Cutter shanks should be inserted into the collet to the mark line on the shank. This ensures that at least 3/4 of the shank length is held in the collet. Do not over-tighten the collet nut as this will score the shank and create a weakness and fracture point.
- Observe the correct assembly instructions in the router instruction manual for fitting the collet and nut. Observe the router power tool manual instructions on fitting cutters correctly.
- It is advisable to periodically check the collet and collet nut. A worn, distorted or damaged collet can cause vibration and damage the shank, and should be replaced. Worn collet nuts should be replaced.
- Do not take deep cuts in one pass; take several shallow or light passes to reduce the side load applied to the cutter. Too deep a cut in one pass can stall the router.
- Very small diameter cutters must be handled and used with care.
- Always return cutter to its packaging after use.
- Check the direction of the workpiece is always opposite to the cutter's direction of rotation.
- Do not use awkward or uncomfortable hand positions.
- Do not reach underneath table or put your hands or fingers at any time in the cutting path while tool is connected to a power supply.

Useful Advice When Routing

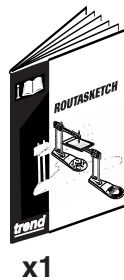
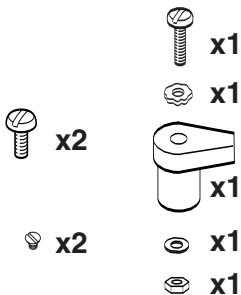
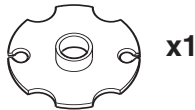
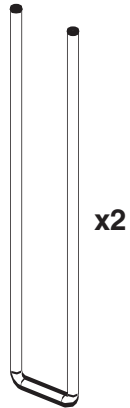
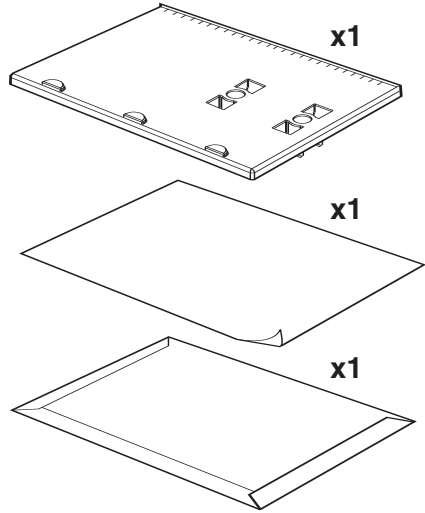
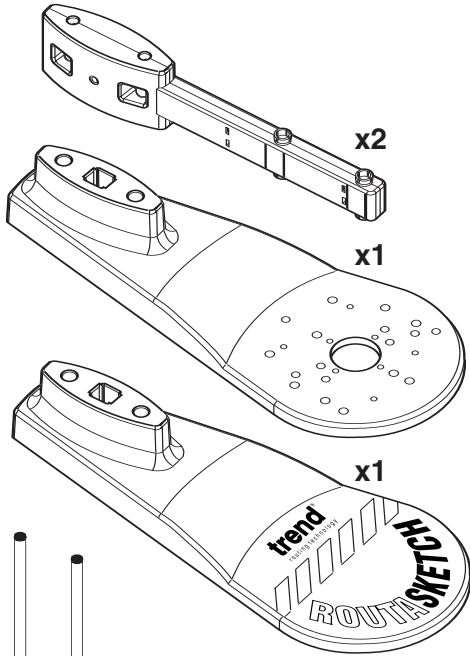
Additional Safety Rules For Router Cutters

- Cutting tools are sharp. Care should be taken when handling them.
- Always use cutters with a shank diameter corresponding to the size of the collet installed in your tool.
- Always run router cutters at the spindle speed recommended and marked accordingly. Ensure cutter has reached correct speed before entering workpiece. Recommended speeds can be found on the packaging, in cutter instructions or in the Trend Routing Catalogue.
- Always use router cutters in a router. Router cutters must not be used in a drill. Drill and boring bits must not be used in a router.
- Never use cutters with a diameter exceeding the maximum diameter indicated in the technical data.
- Do not drop cutters or knock them against hard objects. Do not use cutters that are damaged.
- Judge your feed rate by the sound of the motor.
- Feed the router at a constant feed rate. Too slow a feed rate will result in burning.
- Take many light passes rather than one deep cut to reduce the side load applied to both router and router cutter.
- Trial cuts should be made on waste material before starting any project.
- When using some attachments including a router table or dovetail jig, the use of a fine height adjuster is highly recommended.
- When using a template guide bush, ensure there is sufficient clearance between cutter tip and inside each of bush. Ensure cutter and guide bush are concentric.

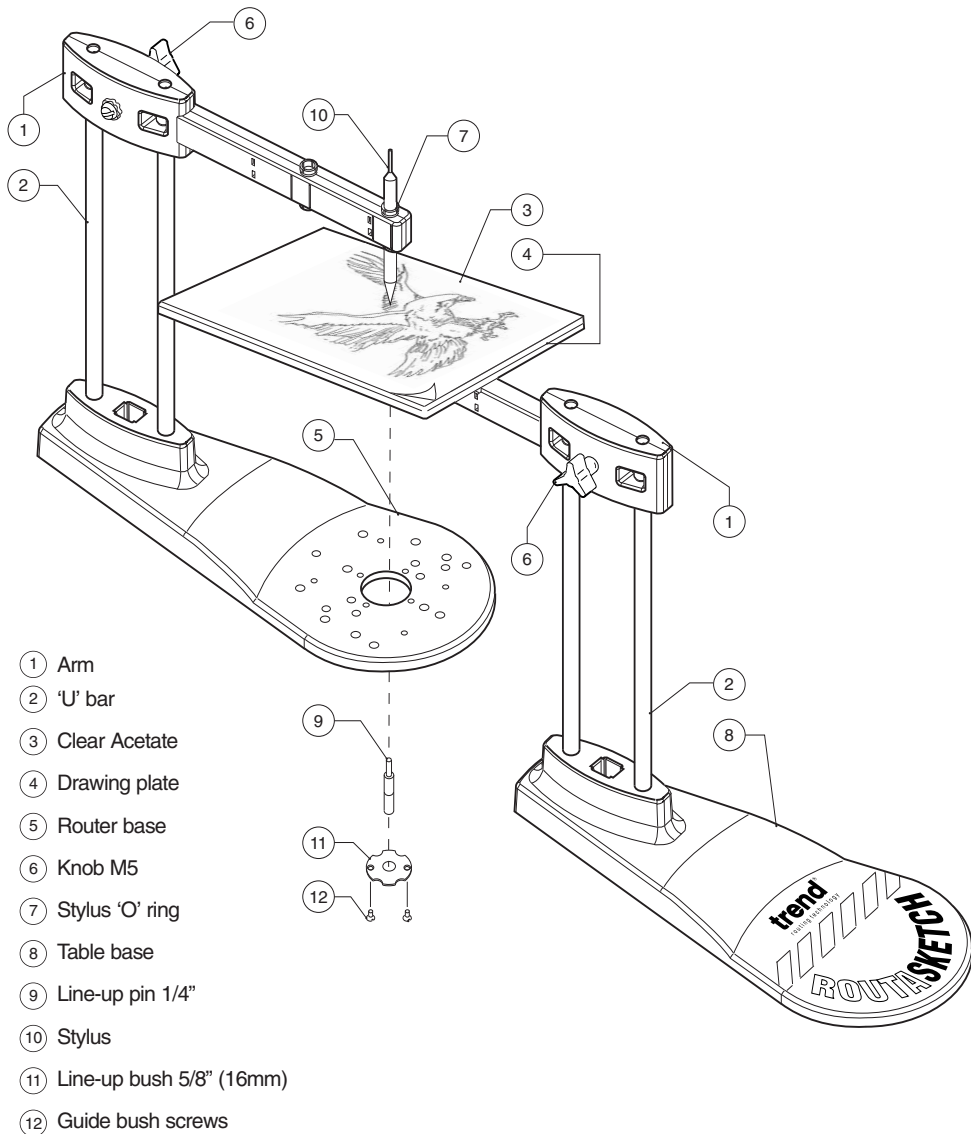
Using Routers In A Fixed Position

- After work, release the router plunge to protect the cutter.
- Always use a push-stick or push-block for last 12" of the cut.
- Whenever possible use a work holding device or jig to secure component being machined.
- Ensure attachment is securely fitted to the workbench, with table surface at approximately hip height.
- Ensure a No-Volt Release Switch is fixed to or adjacent to the attachment and that it is used correctly.

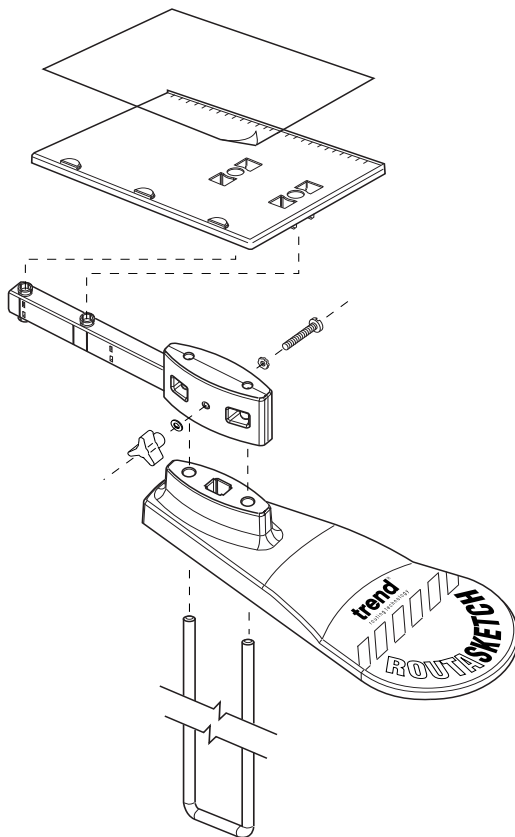
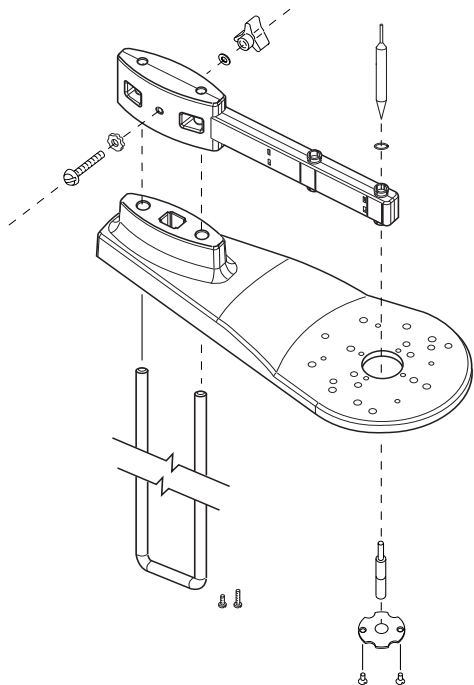
**ITEMS
ENCLOSED**



DESCRIPTION OF PARTS



ASSEMBLY



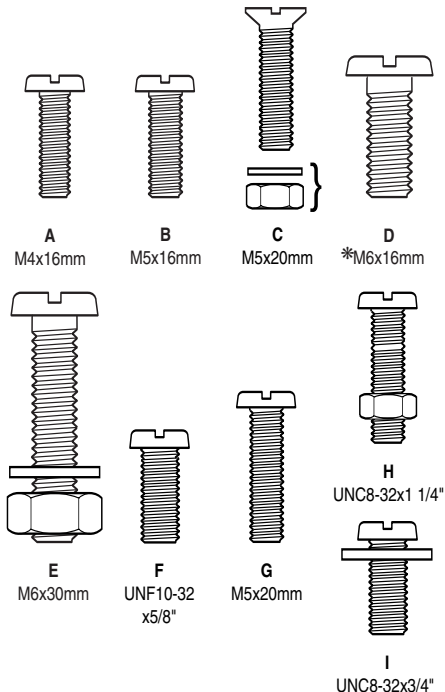
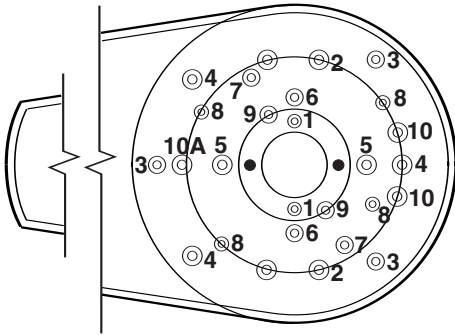
- Assemble the 'U' bars to the router base and the table base. Ensure the bar is securely clipped into the base.
- Clip the drawing plate to one of the arms.
- Assemble drawing plate and arm to the 'U' bar and drawing plate base. Hold in position with machine screw, star washer, washer and knob.
- Assemble the remaining arm to the router base vertical bars. Secure in position with machine screw, star washer, washer and knob.
- The double ended stylus pin with 'O' ring fitted can now be placed into the router base arm hole.

Router Fixing Screw Selection

The router should now be fitted to the router base, using appropriate fixing screws. Select the appropriate fixing screws from the table and drawing below.



Please note, the Routasketch is suitable for light duty routers only.



MAKE	MODEL	HOLE	SCREW
AEG	OF450S, OFE710	1	C x 2
ATLAS COPCO	OFS50, 720, OFSE850, 1000	1	C x 2
B&D	SR100	1	C x 2
B&D	BD66, BW67	1	C x 2
B&D	BD780(E), KW780(E), 799, 800(E)	1	C x 2 *
BOSCH	POF52, 400, 500A, 600ACE	5	D x 2
BOSCH	POF800ACE, GOF900A	4	E x 3
CASALS	FT750, 1000VCE	6	C x 2
CHAMPION	CPR850	1	C x 2 *
CRAFTSMAN	17507	3	F x 3
DEWALT	DW613, 614, 615, 620, 621	2	D x 2
DRAPER	R850V	1	C x 2
EINHELL	EOF850SP	1	C x 2
EINHELL	BOF850E	1	C x 2 *
ELU	OF97(E), MOF96(E)MK2, 69	2	D x 2
FERM	FBF-6E, FBF-8E	1	C x 2 *
FESTO	OF1E, 900(E), 1000(E), 1010EBC	8	A x 4
FREUD	FT1000E	6	C x 2
HITACHI	M8(V)	9	G x 2
HITACHI	FM8, ZK2008	9	G x 2
HOLZHER	2335, 2336, 2356	1	C x 2
KINZO	25C44	RD	D x 2
KRESS	FM6955	1	C x 2
JCBD	PR	1	C x 2 *
LYNX	RT-800-A	RD	D x 2
MAFELL	LO50E	8	A x 4
MAKITA	3620	6	C x 2
MAKITA	RP0910, 1110C	2	D x 2
METABO	OF1028, OFE1229	RD	E x 3
MILWAUKEE	OFSE1000	1	C x 2
NUTOOL	NPT850	1	C x 2 *
PERFORMANCE			
POWER	1020W	1	C x 2 *
PERLES	OF808(E) post 1999	2	D x 2
PERLES	OF808(E) pre 1999	1	C x 2
PEUGEOT	TDF800	RD	D x 2
PEUGEOT	DEF570E, DF55E	7	B x 2
POWER DEVIL	PDW5027, 5026	1	C x 2 *
ROTOZIP	REVOLUTIONS, REBEL, SCS01, SOLARIS + plunge attachment	10 10A	I x 2 H x 1
RYOBI	R150, R151, R152	9	G x 2
RYOBI	RE120, RE155K	7	G x 2
SKIL	1835U	3	F x 3
SPARKY	X52E	9	G x 2
STAYER	PR50	1	A x 2
TREND	T3, T5	2	D x 2
VIRUTEX	FR77C, 78C, FR66F	1	C x 2
WICKES	900W	1	C x 2 *

RD = Redrilling of router base required

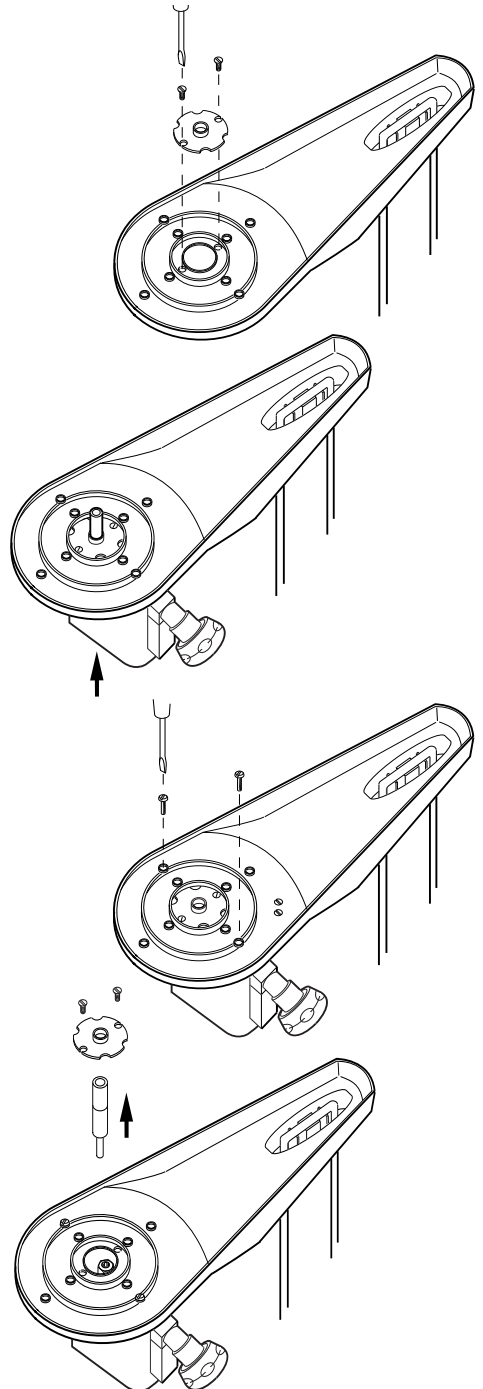
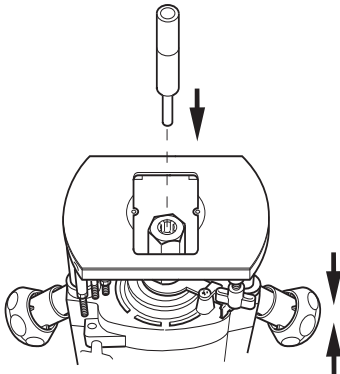
**Setting up the Router/Stylus
Concentricity for routers**

- Fit line-up bush to router base using the two line-up bush screws provided. The screws should be tightened into the two brass threaded inserts. **DO NOT OVERTIGHTEN.**
- One line-up pin is provided for a 1/4" collet. To fit line-up pin, plunge router base and lock plunge locking handle/lever. Fit pin into collet and hand tighten collet nut.
- Rotate base until correct fixing holes are visible. Using the correct fixing screws securely tighten router to Routasketch router base assembly, release plunge of router remove line-up pin and line-up bush. Center line of the router is now aligned with center of the stylus pin.



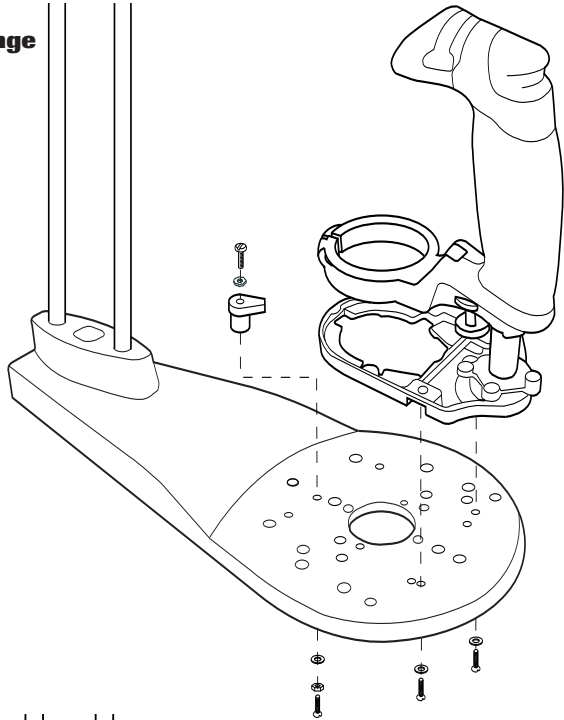
Periodically check tightness of screws and concentricity of plate.

- Fit cutter to router (i.e. V point or a 1/8" (3mm) diameter straight depending on which end of stylus is used) and set router depth stop. Generally a 1/8" deep cut is required. For drawings with closer lines the depth of cut should be reduced so that the routed grooves will not run into each other.

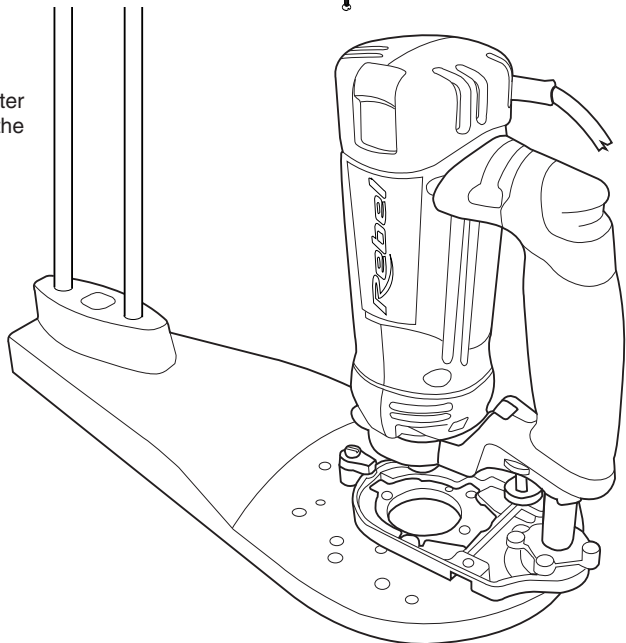


Setting up Rotozip[®] and plunge attachment

- 1** Fix plunge attachment to routasketch base, hand tighten fixing screws.



- 2** Attach Rotozip to plunge attachment. Align the center of the collet assembly to the center of the hole in the Routasketch base plate. Tighten fixing screws.

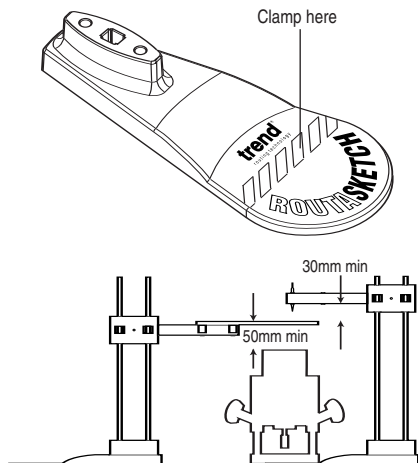


Setting up Routasketch Assembly

- Clamp workpiece securely using double-sided tape or clamps. The drawing plate assembly should be positioned directly over the workpiece. Lower the drawing plate on the bars to the lowest position. This will make the workpiece closer to the drawing plate, making it easier to line-up by eye.
- Once set, securely clamp table assembly using a quick action clamp on the clamping area.
- Adjust drawing plate and arm height and stylus pin arm to suit router being used. A gap of about 2" should be left above motor vent to allow for airflow. The stylus arm should have a gap of about 1 1/4" above work table to aid viewing. Once heights are set, tighten knobs to secure.
- When routing it is advisable that the stylus arm and rods are positioned away from you.



If workpiece is small in size it is advisable to use a piece of waste material the same thickness as the workpiece to support the rest of the Routasketch router base assembly. This will prevent flexing.



OPERATION

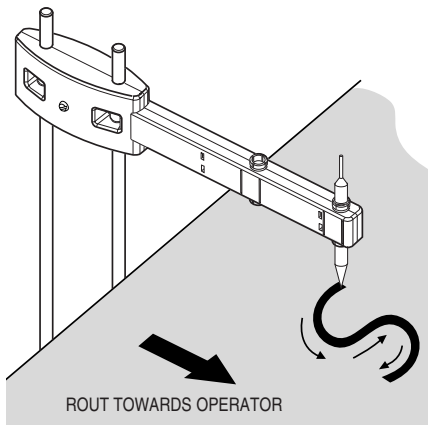


- Select the drawing / lettering to be copied and clip together with the acetate sheet to the drawing plate, using the table clips to hold in position.



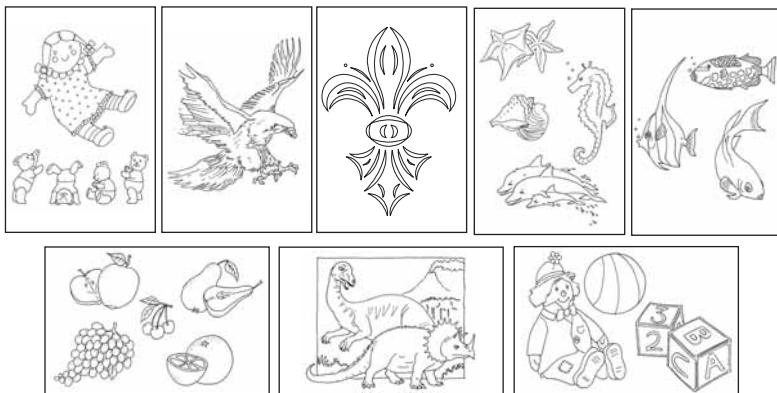
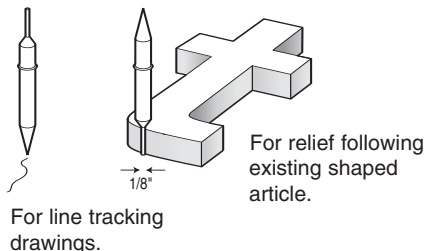
The material being routed must be flat.

- Line up stylus with start point on drawing, switch on router and lower cutter into workpiece, use depth stop.
- Watch the stylus, not the cutter and proceed around the sketch. It is best to start with the stylus positioned at the furthest point on the drawing away from you and rout towards you.
- You will need to remember which parts of the sketch have been followed. Periodically check to ensure all lines have been routed.
- At the end of each letter or drawing, release plunge of router and move router to next character and repeat until all lines have been followed.
- Narrow lines on the drawing can be reproduced with a 'v' groove cutter by taking shallower cuts.



DRAWING IDEAS

- The Routasketch can be used to rout freehand words, sketched drawings, sign writing and engravings by simply following a drawing or existing shaped article.
- A selection of 20 drawings have been supplied with your Routasketch. These include images suitable for use in a child's bedroom, kitchen, bathroom and study.
- Look for drawings in books for more ideas. Photocopy them to scale and place directly on the drawing plate. The possibilities are endless.



MAINTENANCE

This jig has been designed to operate over a long period of time with a minimum of maintenance.

Continual satisfactory operation depends upon proper tool care and regular cleaning.

Cleaning

- Remove resin build up from plastic parts by washing with soapy water and a soft cloth. Do not use a solvent.

Lubrication

- Your jig requires no additional lubrication.

RECYCLING

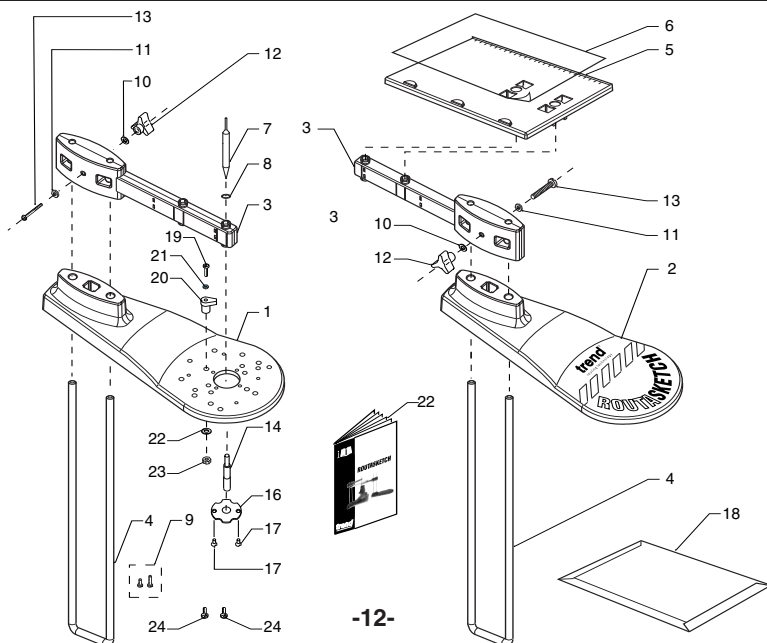
Jig, accessories and packaging should be sorted for environmentally friendly recycling.

GUARANTEE

The jig carries a manufacturers guarantee in accordance with the conditions on the enclosed guarantee card.

For the location of your nearest Trend Service Agent, please call the telephone number at the back of this manual.

ROUTASKETCH USA SPARE PARTS LIST			v2.0 USA 04/2003
No.	Qty.	Desc.	Ref.
1	1	Router Base	WP-RSK/01
2	1	Table Base	WP-RSK/02
3	2	Arm	WP-RSK/03
4	2	U Bar	WP-RSK/04
5	1	Drawing Plate	WP-RSK/05
6	1	Acetate Clear	WP-RSK/06
7	1	Double Ended V Point 1/8" Dia. Stylus	WP-RSK/07
8	1	Stylus Pin 'O' Ring	WP-RSK/08
9	1	Screw Pack	WP-RSK/09
10	2	Washer 6.3mm x 9.8mm x 1.0mm	WP-WASH/09
11	2	Star Washer External M5	WP-WASH/39
12	2	Knob M5	WP-KNOB/09
13	2	Machine Screw M5 x 60mm Pan Slot	WP-SCW/63
14	1	Line-Up Pin 1/4" & 1/2"	UNI/PIN/1
15	1	Nut M5	UNI/PIN/2
16	1	Line-Up Bush 5/8" (16mm) Dia.	UNI/GB16
17	2	Machine Screw 2BA x 1/4" Csk Slot	WP-SCW/01
18	1	Drawing Pack	DIAG/RSK/A
19	1	Machine Screw UNC8-32 x 1 1/4" Pan Slot	WP-SCW/90
20	1	Plastic Clip	WP-RSK/20
21	1	Star Washer M5	WP-WASH/39
22	1	Washer M5	WP-WASH/09
23	1	Hex Nut UNC8-32	WP-NUT/16
24	2	Machine Screw UNC8-32 x 3/4" Pan Slot	WP-SCW/91
25	1	Manual	MANU/RSK



MANU/RSK/USA v2.0



Email: _____ sales@trend-usa.com
WEB: _____ www.trend-usa.com