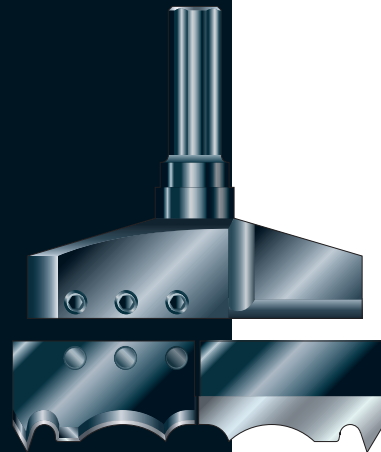




Rosette Drilling Tool RDT/SET



trend[®]
routing technology

INST/RDT v5.0

Please read carefully before use

ROSETTE DRILLING TOOL REF. RDT/SET

Thank you for purchasing this Trend drilling tool which should give lasting performance if used in accordance with these instructions.

The choice of removable knives allows for a diversity of rosette patterns in varying shapes and sizes. The two types of rosette are the "inlay", giving a finished cut which is recessed into the material, and the "button", with spurs which cut the rosette free.

The following symbols are used throughout these instructions.



Denotes risk of personal injury, loss of life or damage to the tool in case of non-observance of the instructions.



Refer to the instruction manual of your power tool.

This cutter must not be put into service until it has been established that the power tool to be connected to this unit is in compliance with 98/37/EC (identified by the CE marking on the power tool).

INTENDED USE

This drilling tool is to be used in a fixed head drilling machine with a 13mm chuck to drill rosettes recessed or in relief in MDF. Knives are not included in set.

SAFETY

Please read and understand the safety points at the end of this instruction as well as the power tool instructions before use.

PLEASE KEEP THESE INSTRUCTIONS IN A SAFE PLACE.

The attention of UK users is drawn to The Provision and Use of Work Equipment Regulations 1998, and any subsequent amendments.

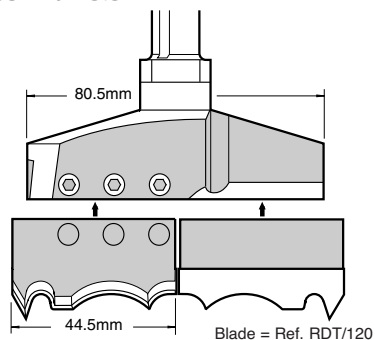
Users should also read the HSE/HSC Safe Use of Woodworking Machinery Approved Code of Practice and Guidance Document and any amendments.

Users must be competent in using woodworking equipment before using our products..

ITEMS REQUIRED

- n Pair of Knives
- n Fixed head drilling machine with 13mm chuck
- n Clamps

Tool Diameter



OPERATION



- n Ensure that the knives are located in their exact position and that the screws are properly tightened.



When using the small knives which are supported by only two screws, it is imperative to remove the unused third screw.

- n Ensure manually that the rosette drill is firmly located and does not turn in the chuck.
- n For MDF the spindle speed should be 300-3800 RPM.

- n Place the material and clamp it well to the machine table.
- n At the beginning of the operation ensure that the machine is stable, without vibrations, and that the spindle revolves in a right-hand direction.
- n Work with slow feed until the rosette form is complete.
- n Under no circumstance is the tool to be stopped by hand.
- n For your safety, remove the tool from the machine prior to changing the knives.



It is very important to work with a stable machine. Machine instability can cause vibrations to the tool and lead to breakage of the scribers. The material must be clamped firmly during operation.



Before use of cutter please ensure it is correctly assembled and locking screws are fully tightened to correct torque setting.

SPARE PARTS

Item	Qty.	Desc.	Ref. (1 off)
A	1	set screw	SP-RDT/A
B	1	hex key 4mm A/F	SP-RDT/B
C	1	arbor only	SP-RDT/C
D	1	pair of TC knives	see over

ENVIRONMENTAL PROTECTION 
 Recycle raw materials instead of disposing
 as waste.

Packaging should be sorted for
 environmental-friendly recycling.
 The product and its accessories at the end of
 its life should be sorted for environmental-
 friendly recycling.

GUARANTEE

All Trend products are guaranteed against any
 defects in either workmanship or material,
 except products that have been damaged due
 to improper use or maintenance.

© Trend Machinery & Cutting Tools Ltd. 2006 E&OE
 © All trademarks acknowledged

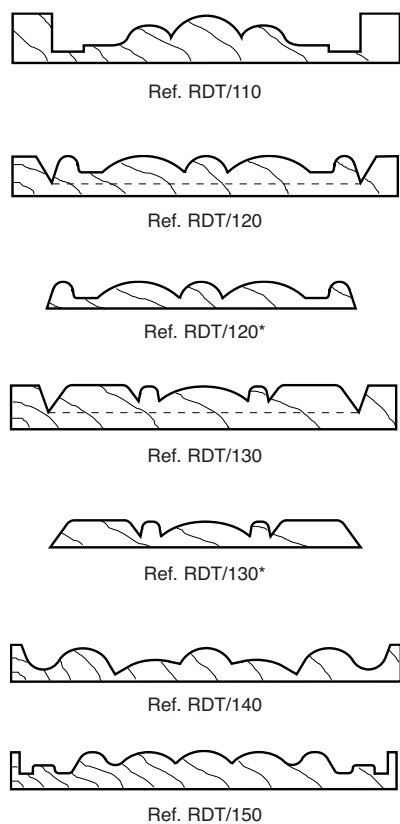
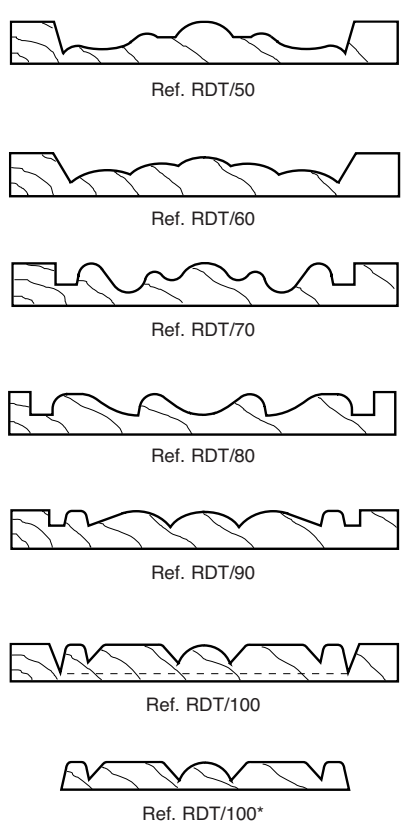
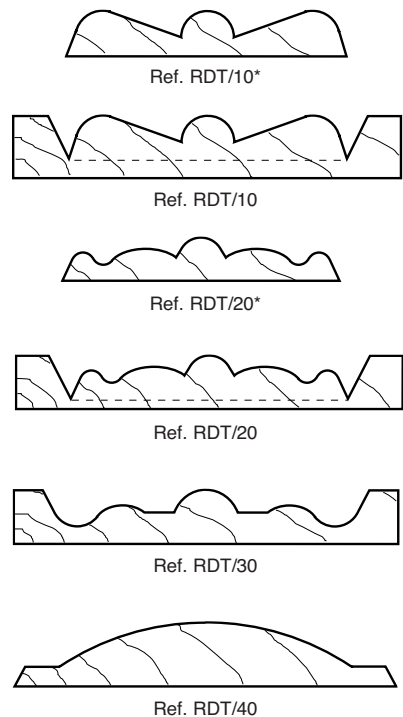
Trend Machinery & Cutting Tools Ltd.
 Odhams Trading Estate St. Albans Road
 Watford WD24 7TR England

Enquiries: 0800 487363
Technical Support: 0044 (0) 1923 224681
Fax: 0044 (0) 1923 236879
Email: enquiry@trendm.co.uk
Web: www.trend-uk.com



RECYCLABLE

ROSETTE DESIGNS not to scale.
 TCT Knives are sold in pairs
 (* button type rosettes)



Safety Points

1. Disconnect power tool and attachment from power supply when not in use, before servicing, when making adjustments and when changing accessories such as cutters. Ensure switch is in "off" position and cutter has stopped rotating.
2. Read and understand instructions supplied with power tool, attachment and cutter.
3. Current Personal Protective Equipment (PPE) for eye, ear and respiratory protection must be worn. Keep hands, hair and clothes clear of the cutter.
4. Before each use check cutter is sharp and free from damage. Do not use if cutter is dull, broken or cracked or if any damage is noticeable or suspected.
5. The maximum speed (nmax) marked on tool or in instructions or on packaging shall not be exceeded. Where stated, the speed range should be adhered to.
6. Insert the shank into the router collet at least all the way to the marked line indicated on the shank. This ensures at least 3/4 of shank length is held in collet. Ensure clamping surfaces are clean.
7. Check all fixing and fastening nuts, bolts and screws on power tool, attachment and cutting tools are correctly assembled, tight and to correct torque setting before use.
8. Ensure all visors, guards and dust extraction is fitted.
9. The direction of routing must always be opposite to the cutter's direction of rotation.
10. Do not switch power tool on with the cutter touching the workpiece.
11. Trial cuts should be made in waste material before starting any project.
12. Repair of tools is only allowed according to tool manufacturers instructions.

Please see www.trend-uk.com/safety for more safety advice.



Our policy of continuous improvements mean that specifications may change without notice. Trend Machinery & Cutting Tools Ltd. cannot be held liable for any material rendered unusable, or for any form of consequential loss.