



## Routabout RBT

Please  
read carefully  
before use

### ROUTABOUT REF. RBT

Thank you for purchasing this Trend product, which should give lasting performance if used in accordance with these instructions.

The following symbols are used throughout these instructions.



Denotes risk of personal injury, loss of life or damage to the tool in case of non-observance of the instructions.



Refer to the instruction manual of your power tool.

This unit must not be put into service until it has been established that the power tool to be connected to this unit is in compliance with 98/37/EC (identified by the CE marking on the power tool).



### INTENDED USE

This accessory is intended to be used with a plunge router, with suitable guide bush and cutter fitted to rout access holes in suitable thickness chipboard, plywood or sterling board floors.

#### Size:

Hole diameter 250mm (10").

Floor thickness 18mm (0.702") - Ref. RBT/1 or RBT/3.

Floor thickness 22mm (7/8") - Ref RBT/2 or RBT/4.

### SAFETY

Please read and understand the safety points at end of this instruction as well as the power tool instructions before use.

PLEASE KEEP THESE INSTRUCTIONS IN A SAFE PLACE.

The attention of UK users is drawn to The Provision and Use of Work Equipment Regulations 1998, and any subsequent amendments.

Users should also read the HSE/HSC Safe Use of Woodworking Machinery Approved Code of Practice and Guidance Document and any amendments.

Users must be competent in using woodworking equipment before using our products.

### ITEMS REQUIRED

- Plunge router with suitable size collet fitted
- No.2 Pozzi® screwdriver

#### Ref. Unibase

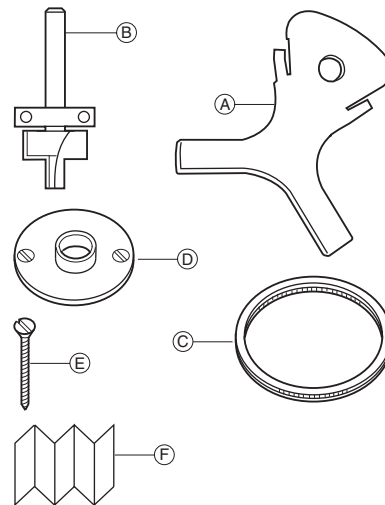
For certain makes of router, a sub-base will be required to allow the guide bush to be fitted.



Please refer to Building Regulations Approved Document B, and any amendments before use of the accessory.

### ITEMS ENCLOSED & DESCRIPTION OF PARTS

- Template **x1**
- Tungsten Carbide Tipped Cutter **x1**
- Routabout Ring **x3**
- 30mm Plastic Guide Bush **x1**
- Fixing Screw **x1**
- Instructions **x1**



### ASSEMBLY

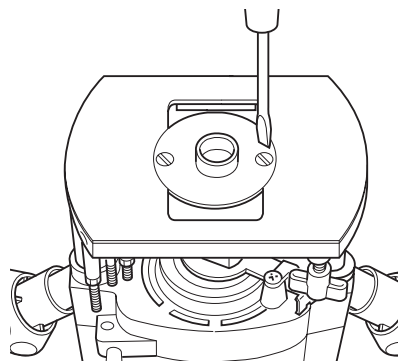
#### Guide Bushes

The bush supplied with the jig is standard Trend pattern. It will fit most Trend, Elu and Dewalt routers directly.

For other makes and model of router a sub-base may be required to allow the guide bush to be fitted. The Universal sub-base Ref. UNIBASE has been designed for use with a variety of routers; it also ensures concentricity between cutter and guide bush ensuing accuracy.

#### Setting up the Router

1. Isolate router from power supply.
2. Fit guide bush to router.
3. Fit router cutter into router.



## OPERATION



- Screw the template with a No. 8 (4.0mm) countersink particleboard screw using a No.2 Pozī® screwdriver. Release sufficiently to enable template to rotate freely.
- Locate the router, with the cutter and guide bush fitted, into the template. Rout at increased depths in a clockwise direction, keeping the pressure towards the outside. Lock the router plunge on each cut.
- Take several shallow passes until the cutter routs through the flooring.
- Unscrew the template from the waste piece.
- Place spacer ring into hole, invert the waste piece, and place this inside the spacer ring.

© Trend Machinery & Cutting Tools Ltd. 2008 E&OE  
© All trademarks acknowledged

**Trend Machinery & Cutting Tools Ltd.**  
Odhams Trading Estate St. Albans Road  
Watford WD24 7TR England

Enquiries: 0800 487363  
Technical Support: 0044 (0) 1923 224681  
Fax: 0044 (0) 1923 236879  
Email: enquiry@trendm.co.uk  
Web: www.trend-uk.com



RS 28982  
Stockholding  
& Supply



RECYCLABLE



**The ball bearing is used as a depth stop and is a consumable item.**

## TIPS FOR USE



- Remove nails in path of cutter before routing.
- Ensure the router, collet and cutter, are aligned correctly with the guide bush.
- Make sure the bearing on the router cutter is free and rotates freely before use.
- Always rout in a clockwise direction.
- Keep pressure towards the outside handle of the router when routing.
- Routers will have some lateral movement on the plunge in relation to the base, therefore when routing it is advisable to lock the plunge.

## TROUBLE SHOOTING



There is an in-built tolerance between the jig and insert. The ring will be a good fit in the hole, but not overly tight to allow for easy access. If the ring or insert is too tight, check:-

- Concentricity between guide bush and cutter.
- Routing direction is clockwise.
- A 30mm diameter guide bush is used.
- Pressure is applied to the outside handle of the router.
- Router plunge is locked for each pass.



**The Routabout ring can be cut to ensure a good fit if necessary. This will not affect its strength.**

## SPARE PARTS

Please use only Trend original spare parts.

### Routabout

Item	Qty	Desc.	Ref. (1 off)
A	1	Routabout Template	RBT/PLATE
B	1	Cutter 18mm x 1/4" Shank TCT	RBT/CUT/1
		Cutter 18mm x 8mm Shank TCT	RBT/CUT/5
		Cutter 18mm x 1/2" Shank TCT	RBT/CUT/2
		Cutter 22mm x 1/4" Shank TCT	RBT/CUT/3
		Cutter 22mm x 8mm Shank TCT	RBT/CUT/6
		Cutter 22mm x 1/2" Shank TCT	RBT/CUT/4
C	1	Rbt Ring 18mm (pack 10)	RBTRNG18/10
		Rbt Ring 18mm (pack 100)	RBTRBG18/100
		Rbt Ring 18mm (pack 250)	RBTRBG18/250
		Rbt Ring 22mm (pack 10)	RBTRNG22/10
		Rbt Ring 22mm (pack 100)	RBTRBG22/100
		Rbt Ring 22mm (pack 250)	RBTRBG22/250
D	1	30mm Plastic Guide Bush	GB/30/P
E	1	4.0mm (No. 8) x 25mm Woodscrew Pozī	WP-SCW/100
F	1	Instructions	INST/RBT

## MAINTENANCE

This product has been designed to operate over long period of time with minimum maintenance.

Continual satisfactory operation depends upon proper tool care and regular cleaning.

### Cleaning

- Ensure clamping surfaces on cutter and collet are cleaned to remove dirt, grease and oil.
- Apply a rust protector to shanks. Do not use rust protector on ball bearing guides.
- Regularly clean jig with a soft cloth.

### Lubrication

- Your accessory requires no additional lubrication.

### Storage

- Return cutter to its packaging after use.

## ENVIRONMENTAL PROTECTION



**Recycle raw materials instead of disposing as waste.**

Packaging should be sorted for environmental-friendly recycling. The product and its accessories at the end of its life should be sorted for environmental-friendly recycling.

## GUARANTEE

All Trend products are guaranteed against any defects in either workmanship or material, except products that have been damaged due to improper use or maintenance.

## Safety Points

1. Disconnect power tool and attachment from power supply when not in use, before servicing, when making adjustments and when changing accessories such as cutters. Ensure switch is in "off" position and cutter has stopped rotating.
2. Read and understand instructions supplied with power tool, attachment and cutter.
3. Current Personal Protective Equipment (PPE) for eye, ear and respiratory protection must be worn. Keep hands, hair and clothes clear of the cutter.
4. Before each use check cutter is sharp and free from damage. Do not use if cutter is dull, broken or cracked or if any damage is noticeable or suspected.
5. The maximum speed (nmax) marked on tool or in instructions or on packaging shall not be exceeded. Where stated, the speed range should be adhered to.
6. Insert the shank into the router collet at least all the way to the marked line indicated on the shank. This ensures at least 3/4 of shank length is held in collet. Ensure clamping surfaces are clean.
7. Check all fixing and fastening nuts, bolts and screws on power tool, attachment and cutting tools are correctly assembled, tight and to correct torque setting before use.
8. Ensure all visors, guards and dust extraction is fitted.
9. The direction of routing must always be opposite to the cutter's direction of rotation.
10. Do not switch power tool on with the cutter touching the workpiece.
11. Trial cuts should be made in waste material before starting any project.
12. Repair of tools is only allowed according to tool manufacturers instructions.

Please see [www.trend-uk.com/safety](http://www.trend-uk.com/safety) for more safety advice.



**Our policy of continuous improvements mean that specifications may change without notice. Trend Machinery & Cutting Tools Ltd. cannot be held liable for any material rendered unusable, or for any form of consequential loss.**

