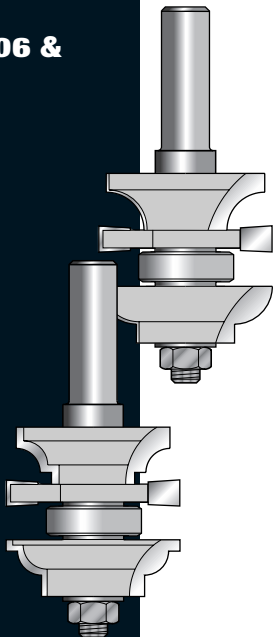




PSC/106 & 107



Please read carefully before use

EASYSET® PROFILE SCRIBER REF. PSC/106 & 107

Thank you for purchasing this Trend router cutter, which should give lasting performance if used in accordance with these instructions.

You will find in this box one Easyset® Profile Scriber assembly and a shim set.

Profile Scriber sets should be used in a fixed position, either mounted in an overhead or table routing machine, or in a portable router mounted in a fixed mode.

Material thickness should be between 21mm and 26.5mm, with 25mm thickness preferable. Material should be squared all round to ensure perfect joints are achieved. Always unplug the router from the power supply before making any adjustments and ensure that the cutter is guarded so that operator's fingers cannot contact the cutter.

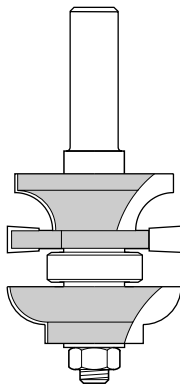
On particularly hard timbers it is advisable to take shallow passes. This can be achieved by using the back fence. The final cut using the ball bearing as a guide.

The set is supplied with spare shims for use with the set after re-sharpening or if especially tight or loose joints are required.

- Shim 0.05mm
- Shim 0.1mm

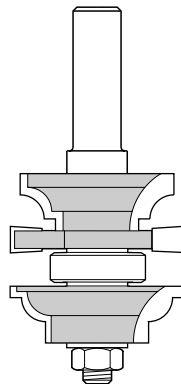
Round Over

PSC/106X1/2TC



Ovolo

PSC/107X1/2TC

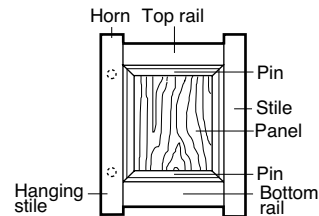
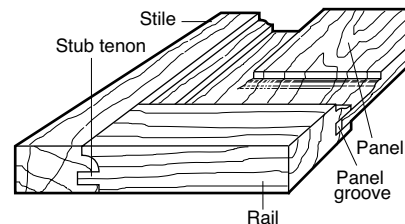


Instructions on the reverse have been written using set PSC/106

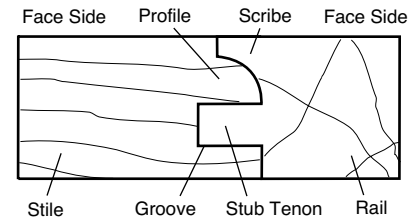
Description	Material thick.		Order Ref.
	Min.*	Max.	
Round Over R10mm	21mm	26.5mm	PSC/106
Ovolo R6.35mm	21mm	26.5mm	PSC/107

*When using these set at the minimum material thickness, the height of the top quirk may be reduced.

Parts of a Panelled Door



The Joint

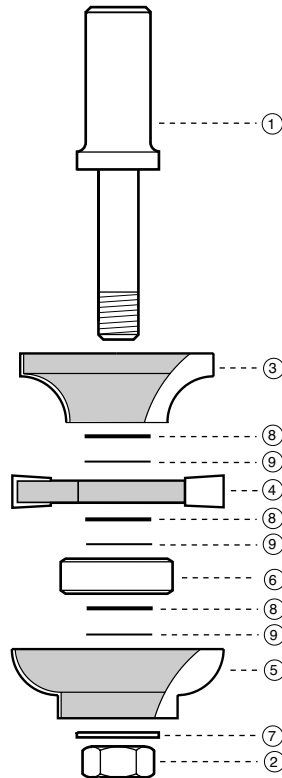


Parts supplied in set

1. Arbor (x1)
2. Nut 13mm A/F (x1)
3. Concave Profile Block (x1)
4. Groover (x1)
5. Convex Profile Block (x1)
6. Ball Bearing 22mm diameter (x1)
7. Washer 1.0mm (x1)
8. Shims 0.1mm (x3)
9. Shims 0.05mm (x3)

Spare Parts	Order Ref.
Concave Profile Block for PSC/106	SP-PSC/106A (1 off)
Convex Profile Block for PSC/106	SP-PSC/106B (1 off)
Concave Profile Block for PSC/107	SP-PSC/107A (1 off)
Convex Profile Block for PSC/106	SP-PSC/107B (1 off)
Groover for PSC/106 & PSC/107	SP-34/73ATC (1 off)
Bearing 22mm Ø	BB22
Replacement 1/2" Arbor	33/32X1/2
Replacement Arbor Nut	ANUT/33/30
Spacer Set	SPACER/8

Cutter Set-up (as supplied)

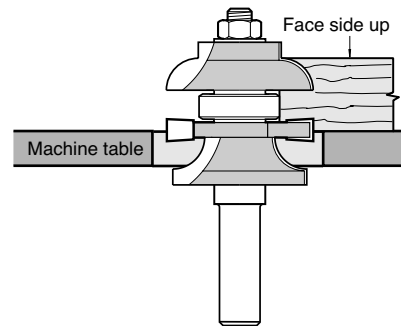


The cutter is supplied when purchased with all the cutting edges in line, the parts 3, 4 & 5 should be assembled square to each other (turn one through 60°) to reduce cutting impact.

Cutting The Scribe

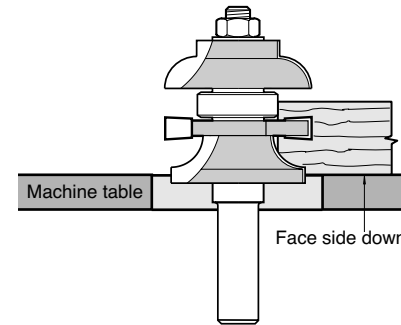
The groove, ball bearing and cutter block nearest the nut of the arbor are used for cutting the scribe across the ends of the rail. When routing inverted in a table the scribe is cut with the face side of the wood facing up. A workholder should be used as the rails will be too narrow to run against a fence. This also has the advantage of making the operation safer and more accurate.

The height of the cutter should be adjusted according to the thickness of the timber between 21mm to 26.5mm.



Cutting The Profile

When the scribes on the ends of the rails have been cut, raise the height of the cutter so that the groover, ball bearing and cutter which is nearest the arbor shank can be used to cut the profile. The profile is cut along the wood. When routing inverted in a table the face side of the wood is facing down.



Before using cutter, please ensure it is correctly assembled and locking nut is fully tightened.

Safety Points

1. Always wear eye protection such as goggles, ear protection and use effective respiratory protection.
2. Before making adjustments to the router, like changing the cutter, make sure the power is isolated correctly.
3. Before re-connecting to the mains supply, make sure the power switch on the router is in the 'off' position.
4. Do not switch on the router with the cutter in contact with the workpiece.
5. Before making adjustments always allow the cutter to stop rotating.
6. When routing keep your hands, hair and clothing clear of the cutter.
7. Make sure you follow the instructions which came with your router.
8. Ensure all visors, guards and dust extraction are fitted.
9. Trial cuts should be made in waste material before starting any project.
10. The direction of routing must always be opposite to the cutters direction of rotation.

Our policy of continuous improvements mean that specifications may change without notice. Trend Machinery & Cutting Tools Ltd. cannot be held liable for any material rendered unusable, or for any form of consequential loss.

© Trend Machinery & Cutting Tools Ltd. 2005 E&OE

Trend Machinery & Cutting Tools Ltd.
 Odhams Trading Estate St Albans Road
 Watford WD24 7TR England
 Enquiries: _____ 0800 487 363
 Technical Support: _____ 0044 (0)1923 224681
 Fax: _____ 0044 (0)1923 236879
 Email: _____ enquiry@trendm.co.uk
 Web: _____ www.trendmachinery.co.uk



RS 28962
 Stockholding
 & Supply



RECYCLABLE

