



Letterbox Jig LB/JIG

Please
read carefully
before use

LETTERBOX JIG REF. LB/JIG

Thank you for purchasing this Trend product which should give lasting performance if used in accordance with these instructions.

The following symbols are used throughout these instructions.



Denotes risk of personal injury, loss of life or damage to the tool in case of non-observance of the instructions.



Refer to the instruction manual of your power tool.

This unit must not be put into service until it has been established that the power tool to be connected to this unit is in compliance with 2006/42/EC (identified by the CE marking on the power tool).

INTENDED USE

This accessory is intended to be used with a portable plunge router, with suitable router cutter and guide bush fitted, to cut man-made boards and natural timbers for the purpose of routing apertures for letterboxes in doors.

Aperture sizes	min.	46mm x 210mm
	max.	82mm x 310mm
Weight		1.5 kg

INST/LB v6.0

trend[®]
routing technology

SAFETY

Please read and understand these instructions before use.

PLEASE KEEP THESE INSTRUCTIONS IN A SAFE PLACE.

The attention of UK users is drawn to The Provision and Use of Work Equipment Regulations 1998, and any subsequent amendments.

Users should also read the HSE/HSC Safe Use of Woodworking Machinery Approved Code of Practice and Guidance Document and any amendments.

Users must be competent in using woodworking equipment before using our products.

Please keep children away from tools and work area. All power tools will have a residual risk, so must therefore be operated with caution.

Only use router cutters to EN847-1/2 standard.

ITEMS REQUIRED

- Plunge router with 1/2" capacity collet.
- Suitable router cutter 1/2" diameter x 50mm cut length Ref. 3/83D, TR17D or C153DX1/2TC.
- Countersunk woodscrew Pozix[®] No.6 x 1" overall length x 2.
- Trestles x 2
- Clamps x 2
- Pozix[®] No.2 screwdriver
- Hand tools.

Ref. UNIBASE

For certain makes of router, a sub-base may be required to allow the guide bush to be fitted.

ITEMS ENCLOSED & DESCRIPTION OF PARTS

- A. Adjustable template frame **x1**
- B. Guide bush 30mm dia with 10mm spigot **x1**
- C. Locking adjustment screw assembly **x2**
- D. Guide bush fixing screws **x2**
- E. Instructions **x1**

ASSEMBLY

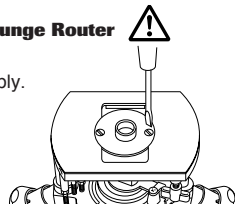
Guide Bushes

The bush supplied with the jig is standard Trend pattern. It will fit most Trend, Elu and Dewalt routers directly.

For other makes and model of router a sub-base may be required to allow the guide bush to be fitted. The Universal sub-base Ref. UNIBASE has been designed for use with a variety of routers; it also ensures concentricity between cutter and guide bush ensuring accuracy.

Setting up the Plunge Router

1. Isolate router from power supply.
2. Fit guide bush to router.
3. Fit router cutter into router.



OPERATION



Setting Up the Jig

To set the jig, loosen the two locking adjustment screw assemblies so that the sections can slide. Upright your letterbox and lay the jig over it.

Adjust the jig so that the lip edge is flush with the letterbox aperture required to be cut out. Then tighten the two locking screws and the jig is ready for fastening to the door.

Marking Out & Fastening to the Door

Lay door on trestles and clamp door securely with clamps.

Mark out the position on the door of the letterbox using centre lines. Centre the jig on the centre lines, and fasten the jig to the door using two No.6 wood screws and a screwdriver. (These holes will not be seen once the letterbox is fastened to the door).



Consider working environment before using tools.



Ensure working position is comfortable and component is clamped securely.

ENVIRONMENTAL PROTECTION 
Recycle raw materials instead of disposing as waste.

Packaging should be sorted for environmental-friendly recycling.

The product and its accessories at the end of its life should be sorted for environmental-friendly recycling.

GUARANTEE

All Trend products are guaranteed against any defects in either workmanship or material, except products that have been damaged due to improper use or maintenance.

© Trend Machinery & Cutting Tools Ltd. 2013 E&OE

© All trademarks acknowledged

Trend Machinery & Cutting Tools Ltd.

Odhams Trading Estate St. Albans Road

Watford WD24 7TR England

Tel: 0044(0)1923 249911

technical@trendm.co.uk

www.trend-uk.com

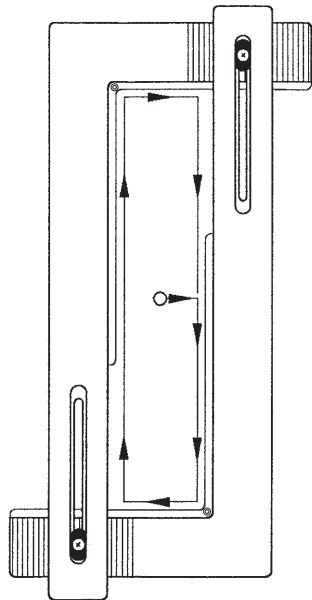


RECYCLABLE

Cutting the Aperture 

With guide bush and correct cutter fitted to the plunge router cut through the door in several passes, at a depth of approximately 8mm per pass.

An average door will require six passes to cut through. Rout in the direction shown.



Always plunge cut (to 8mm depth) in the centre, before routing using the jig to guide the router.

Once letterbox aperture has been routed out correctly, release plunge and switch off router. Remove router from jig.

If a rebate needs to be cut to take the spring and rod of the letterbox, slacken the two locking adjustment screw assemblies and remove the top No.6 fixing screw.

Open the jig out by sliding the top section up the required amount i.e. 12mm rebate. Then tighten up the locking adjustment screw assemblies and refasten the top No.6 fixing screw.

Once routing is complete loosen the fixing screws and remove jig from door.

After use, store jig and fixing screws carefully.

SPARE PARTS

Please use only Trend original spare parts.

Item	Qty.	Desc.	Ref. (1 off)
B	1	Guide Bush 30mm x 10mm Spigot	GB30/A
C	2	Locking Adjustment Screw Assembly	WP-LB/01
D	2	Machine Screw M5 x 10mm Csk	WP-SCW/13
E	1	Instructions	INST/LB

ACCESSORIES

Please use only Trend original accessories.

Suitable 1/2" diameter router cutter
 Ref. 3/83D, TR17D or C153DX1/2TC.

MAINTENANCE

Please use all Trend original accessories and spare parts.

This accessory has been designed to operate over a long period of time with minimum of maintenance. Continual satisfactory operation depends upon proper tool care and regular cleaning.

Cleaning

- Keep sliding parts clean and clear of sawdust.
- Regularly clean with a soft cloth.

Lubrication

- Your accessory requires no additional lubrication.

Storage

- Always return product to its packaging after use, or hang it on a wall hook.

Safety Points

1. Disconnect power tool and attachment from power supply when not in use, before servicing, when making adjustments and when changing accessories such as cutters. Ensure switch is in "off" position and cutter has stopped rotating.
2. Read and understand instructions supplied with power tool, attachment and cutter.
3. Current Personal Protective Equipment (PPE) for eye, ear and respiratory protection must be worn. Keep hands, hair and clothes clear of the cutter.
4. Before each use check cutter is sharp and free from damage. Do not use if cutter is dull, broken or cracked or if any damage is noticeable or suspected.
5. The maximum speed (n_{max}) marked on tool or in instructions or on packaging shall not be exceeded. Where stated, the speed range should be adhered to.
6. Insert the shank into the router collet at least all the way to the marked line indicated on the shank. This ensures at least 3/4 of shank length is held in collet. Ensure clamping surfaces are clean.
7. Check all fixing and fastening nuts, bolts and screws on power tool, attachment and cutting tools are correctly assembled, tight and to correct torque setting before use.
8. Ensure all visors, guards and dust extraction is fitted.
9. The direction of routing must always be opposite to the cutter's direction of rotation.
10. Do not switch power tool on with the cutter touching the workpiece.
11. Trial cuts should be made in waste material before starting any project.
12. Repair of tools is only allowed according to tool manufacturers instructions.
13. Do not take deep cuts in one pass, take shallow passes to reduce the side load applied to the cutter.

Please see www.trend-uk.com/safety for more safety advice.



Our policy of continuous improvements mean that specifications may change without notice. Trend Machinery & Cutting Tools Ltd. cannot be held liable for any material rendered unusable, or for any form of consequential loss.