

INTRODUCTION

Your new Jackson Building Centres worktop jig will more than satisfy your expectations. It has been manufactured under stringent Quality Standards to meet superior performance criteria.

CAUTION: Carefully read through this entire Instruction Manual before using your new jig. Take special care to heed the warning symbols.

CONTENTS

TECHNICAL DATA	1
SAFETY	2-3
ITEMS ENCLOSED	4
DESCRIPTION OF PARTS	4
ACCESSORIES	
– Recommended Cutters	5
– Sub-base Set	5
– Panel Butt Connector Bolts	6
– Biscuit Jointer for the Router	6
– Flat Biscuit Dowels	6
– Clamp	6
ASSEMBLY	
– Location Bush Identification	7
– Margin Distance	7
– Setting out the Joints	7
OPERATION	
– Setting the Length Stop	8
– Female Joint	8
– Male Joint	9
– Cutting the Bolt Recesses	10
– Strengthening the Joint	11
– Sealing the Joint	11
SPARE PART	11
MAINTENANCE	11
ENVIRONMENTAL PROTECTION	11
TROUBLESHOOTING	12
GUARANTEE	1B

TECHNICAL DATA

Jig thickness	10mm
Cutter size	12.7mm
Workpiece thickness max.	45mm
Worktop width:	min. 600mm
	max. 616mm
Guide bush size	30mm
Weight	6.1kg

The following symbols are used throughout this manual:



Denotes risk of personal injury, loss of life or damage to the tool in case of non-observance of the instructions in this manual.



Refer to the instruction manual of your power tool.

This unit must not be put into service until it has been established that the power tool to be connected to this unit is in compliance with 98/37/EC (identified by the CE marking on the power tool).

INTENDED USE

This jig is intended for use with a plunge router with suitable guide bush and router cutter fitted to rout a kitchen worktop joint in laminate covered particle board.

SAFETY



WARNING:

Observe the safety regulations in the instruction manual of the power tool to be used. Please read the following instructions carefully. Failure to do so could lead to serious injury. When using electric tools, basic safety precautions, including the following should always be followed to reduce the risk of fire, electric shock and personal injury. Also observe any applicable additional safety rules. Read the following safety instructions before attempting to operate this product.

PLEASE KEEP THESE INSTRUCTIONS IN A SAFE PLACE.

The attention of UK users is drawn to The Provision and Use of Work Equipment Regulations 1998, and any subsequent amendments.

Users should also read the HSE/HSC Safe Use of Woodworking Machinery Approved Code of Practice and Guidance Document and any amendments.

Users must be competent before using our products.

IMPORTANT NOTE:

Residual Risk. Although the safety instructions and operating manuals for our tools contain extensive instructions on safe working with power tools, every power tool involves a certain residual risk which cannot be completely excluded by safety mechanisms. Power tools must therefore always be operated with caution!

General

1. Disconnect power tool when making any adjustments. When not in use, before servicing and when changing accessories such as cutters, disconnect power tool and attachment from power supply. Ensure the machine is switched off before plugging tool in or connecting to a power supply.
2. Always mount the power tool, accessory or attachment in conformity with the present instructions. The tool should not be modified or used for any application other than that for which it was designed.
3. Keep children and visitors away. Do not let children or visitors touch the tool, accessory or attachment. Keep children and visitors away from work area. Make the workshop child proof with padlock and master switch.
4. Dress properly. Do not wear loose clothing or jewelry, they can be caught in moving parts. Rubber gloves and non-skid footwear is recommended when working outdoors. Wear protective hair

covering to contain long hair.

5. Consider working environment. Do not use the product in the rain or in a damp environment. Keep work area well lit. Do not use power tools near gasoline or flammable liquids. Keep workshop at a comfortable temperature so your hands are not cold. Connect machines that are used in the open via a residual current device (RCD) with an actuation current of 30 mA maximum. Use only extension cables that are approved for outdoor use.
6. The accessory or attachment must be kept level and stable at all times.
7. Keep work area clean. Cluttered workshops and benches can cause injuries. Ensure there is sufficient room to work safely.
8. Use the attachment with the power tools and accessories specified in this manual only. Do not force the tool or attachment to do a job for which it is not designed.
9. Secure idle tools. When not in use, tools should be stored in a dry and high or locked up place, out of reach of children.
10. For best control and safety use both hands on the power tool and attachment. Keep both hands away from cutting area. Always wait for the spindle and cutter to stop rotating before making any adjustments.
11. Always keep guards in place and in good working order.
12. Remove any nails, staples and other metal parts from the workpiece.
13. Maintain tools and cutters with care. Keep cutters sharp and clean for better and safer performance. Do not use damaged cutters. Follow instructions for lubricating and changing accessories. Keep handles dry, clean and free from oil and grease.
14. Maintain accessories. Do not use damaged accessories. Only use accessories recommended by the manufacturer.
15. Check damaged parts. Before operation inspect the attachment, the power tool, the cable, extension cable and the plug carefully for signs of damage. Check for alignment of moving parts, binding, breakage, mounting and any other conditions that may effect its operation. Have any damage repaired by an Authorised Service Agent before using the tool or accessory. Protect tools from impact and shock.
16. Do not use tool if switch does not turn it on or off. Have defective switches replaced by an Authorised Service Agent.
17. Don't over reach. Keep proper footing and balance at all times. Do not use awkward or uncomfortable hand positions.
18. Don't abuse the cable. Never carry power tool or accessory by cord or pull it to disconnect from the socket. Keep cord from heat, oil and sharp edges. Always trail the power cord away from the work area.
19. Connect dust extraction equipment. If devices are provided for the connection of dust extraction and collection facilities, ensure these are connected and properly used.
20. Check all fixing and fastening nuts, bolts and screws on power tool, attachment and cutting tools before use to ensure they are tight and secure. Periodically check when machining over long periods.
21. Stay alert. Watch what you are doing. Use common sense. Do not operate tools when you are tired, under the influence of drugs or alcohol.
22. Personal Protective Equipment (PPE). All PPE must meet current UK and EU legislation.
23. Do not leave tools running unattended. Do not leave tool until it comes to a complete stop.
24. Always clamp workpiece being machined securely.
25. Only use cutting tools for woodworking that meet EN847-1/2 safety standards, and any subsequent amendments.
26. Vibration levels. Hand held power tools produce different vibration levels. You should always refer to the specifications and relevant Health & Safety Guide.

Routing Safety

1. Disconnect router power tool. When not in use, before servicing and when changing accessories such as cutters, disconnect router and attachment from power supply.
2. Ensure router cutter has stopped rotating before changing it. Never use the spindle lock as a brake.
3. Remove adjusting keys and spanners. Form the habit of checking to see that keys and adjusting spanners are removed from the router tool, cutter and attachment before turning router on. Make sure cutter can rotate freely.
4. Noise. Take appropriate measures for the protection of hearing if the sound pressure of 85dB(A) is

exceeded. Routing sound pressure may exceed 85dB(A), so ear protection must be worn.

5. Eye protection. Wear safety goggles, spectacles or visors to protect the eyes from ejected waster particles.
6. Respiratory protection. Wear a face or dust mask, or powered respirator. Dust masks/filters should be changed regularly.
7. Do not switch router on with the cutter touching the workpiece.
8. The direction of routing must always be opposite to the cutter's direction of rotation. Do not back-cut or climb-cut.
9. At the end of the cut, release the router plunge and allow spindle to stop rotating before putting machine down.
10. Check before cutting that there are no obstructions in the path of the router. When cutting through the full thickness of the workpiece, ensure there are no obstacles beneath workpiece, and that a sacrificial work surface is used.

Router Cutter Safety

1. Cutting tools are sharp. Care should be taken when handling them.
2. Always use cutters with a shank diameter corresponding to the size of the collet installed in your tool.
3. Always run router cutters at the spindle speed recommended and marked accordingly. Ensure cutter has reached correct speed before entering workpiece. Recommended speeds can be found on the packaging, in cutter instructions, in the Trend Routing Catalogue or on our website.
4. Always use router cutters in a router. Router cutters must not be used in a drill. Drill and boring bits must not be used in a router. Router cutters must only be used for the material cutting application for which they are designed. Do not use on metal or masonry.
5. Never use cutters with a diameter exceeding the maximum diameter indicated in the technical data of the powertool or attachment used.
6. Do not drop cutters or knock them against hard objects. Do not use cutters that are damaged.
7. Cutters should be kept clean. Resin build up should be removed at regular intervals with Resin Cleaner®. The use of a dry lubricant (Trendicote® PTFE) will act as a preventative. Do not use PTFE spray on plastic parts.
8. When using stacked tooling (multi-

blade, block and groover etc.) on a spindle arbor, ensure that the cutting edges are staggered to each other to reduce the cutting impact.

9. Cutter shanks should be inserted into the collet to the line indicated on the shank. This ensures that at least $\frac{3}{4}$ of the shank length is held in the collet. Do not over-tighten the collet nut as this will score the shank and create a weakness and fracture point.
10. Observe the correct assembly instructions in the router instruction manual for fitting the collet and nut. Observe the router power tool manual instructions on fitting cutters correctly.
11. It is advisable to periodically check the collet and collet nut. A worn, distorted or damaged collet can cause vibration and damage the shank, and should be replaced. Worn collet nuts should be replaced.
12. Do not take deep cuts in one pass; take several shallow or light passes to reduce the side load applied to the cutter. Too deep a cut in one pass can stall the router.
13. Very small diameter cutters must be handled and used with care.
14. Always return cutter to its packaging after use.
15. Should you experience excessive vibration during use stop immediately. Have the eccentricity of the router, router cutter and clamping system checked by a qualified repair agent.
16. All fastening screws and nuts should be tightened using the appropriate spanner or key in accordance with the manufacturers instructions.

Using Routers In A Fixed Position

1. Attention should be made to the HSE's Safe Use of Vertical Spindle Moulding Machines Information Sheet No.18 and any revisions.
2. After work, release the router plunge to protect the cutter.
3. Always use a push-stick or push-block when making any cut less than 300mm in length or when feeding the last 300mm of the cut.
4. The opening around the cutter should be reduced to a minimum using suitably sized insert rings in the table and closing the back fence cheeks or fitting a false fence on the back fence.
5. Whenever possible use a work holding device or jig to secure component being machined.
6. Ensure attachment is securely fitted to the workbench, with table surface at

approximately hip height.

7. Ensure a No-Volt Release Switch is fixed to or adjacent to the attachment, is easily accessible and that it is used correctly.
8. In router table (inverted) mode, stand to the front right of the table. The cutter will rotate anti-clockwise when viewed from top so the feed direction is from the right (against the rotation of the cutter).
9. In overhead mode, stand to the front left of the machine table and the feed direction is from the left.
10. Do not reach underneath table or put your hands or fingers at any time in the cutting path while tool is connected to a power supply.
11. Never thickness timber between the back of the cutter and the backfence.

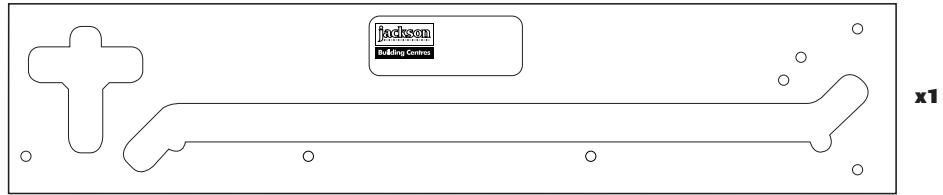
Useful Advice When Routing

1. Judge your feed rate by the sound of the motor. Feed the router at a constant feed rate. Too slow a feed rate will result in burning.
2. Take many light passes rather than one deep cut to reduce the side load applied to both router and router cutter.
3. Trial cuts should be made on waste material before starting any project.
4. When using some attachments including a router table or dovetail jig, the use of a fine height adjuster is highly recommended.
5. When using a template guide bush, ensure there is sufficient clearance between cutter tip and inside edge of bush and that it cannot come into contact with collet and nut. Ensure cutter and guide bush are concentric.

Router Cutter Maintenance

1. Composite cutting tools (brazed tip) must be maintained by a competent person i.e. a person of training and experience, who has knowledge of the design requirements and understands the levels of safety to be achieved.
2. The design of composite tools must not be changed in the process of maintenance. When re-grinding the tool, care must be taken not to cause weakening of the body or the connection between the cutting edge and the body.
3. Replacement parts must meet Trend specification.
4. Tolerances which ensure correct clamping by the collet shall be maintained.

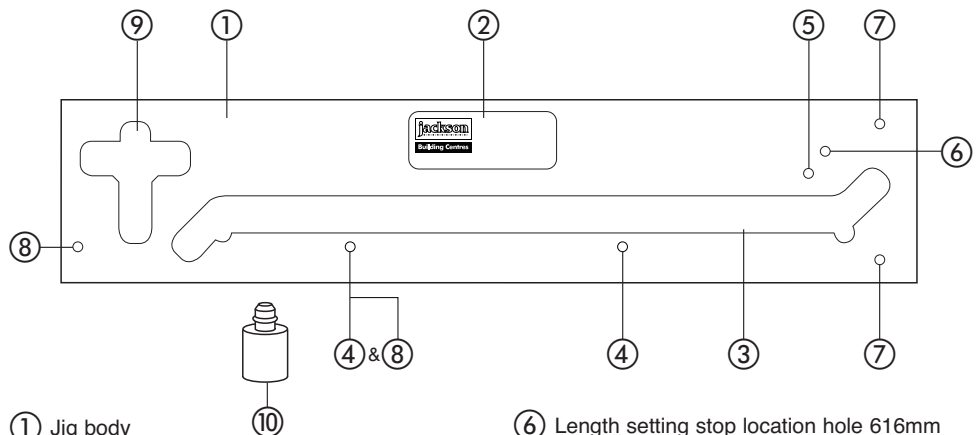
ITEMS ENCLOSED



ITEMS REQUIRED

- 1/2" plunge router.
- 30mm guide bush.
- 12.7mm diameter x 50mm cut router cutter with 1/2" shank.
- 2 x trestles.
- 2 x clamps.
- Hand tools.
- Panel connector bolts.
- Wooden biscuits Size No.20.
- Sealant.

DESCRIPTION OF PARTS



- | | |
|---|---|
| ① Jig body | ⑥ Length setting stop location hole 616mm |
| ② Label | ⑦ Male joint bush location hole |
| ③ Postform joint slot | ⑧ Bolt recess bush location hole |
| ④ Female joint bush location hole | ⑨ Connecting bolt recess slot |
| ⑤ Length setting stop location hole 600mm | ⑩ Alloy location bush |

ACCESSORIES

Products available from your local store where you bought the jig.

Recommended Cutters

Ref. 3/83DX1/2TC, 3/83X1/2TC,
C153DX1/2TC, C153X1/2TC

A 12.7mm (1/2") diameter cutter must be used, which has a 50mm cutting reach and plunge cut facility.

Router must be plunged in stages of maximum 8mm in one pass.



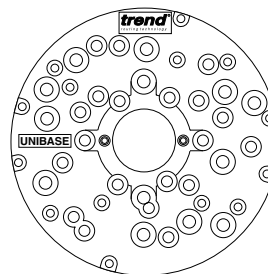
Sub-base Set

Ref. UNIBASE

To obtain a perfect accurate close fitting joint, a 30mm guide bush must be used. The guide bush must always be fitted concentric with the cutter. This can be achieved using a Universal Sub-base and 30mm outside diameter guide bush Ref. GB30.

The Universal Sub-base has a central recess to allow fitting of the guide bush to most makes of routers and is available ready to fit the most popular makes.

The Sub-base contains screws, a line up bush and two line up pins. The line up pins and bush ensure exact alignment of the Sub-base with router spindle, when fitted with the relevant collet.



Fits following Router Models

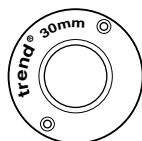
Atlas Copco OFSE2000 **Bosch** GOF 1300ACE, 1600A, 1700ACE **Casals** FT2000VCE **CMT** CMT1E **DeWalt** DW625EK, 629 **Draper** R1900V **Elu** MOF 31, 77, 98, 131, 177(E) **Felisatti** TP246(E), R346EC **Festo** OF2000E **Freud** FT2000E **Hitachi** M12V, M12SA, TR12 **Makita** 3612BR, 3612(C) **Metabo** OF1612, OFE1812 **Ryobi** RE600N, R600N, RE601, R500, R502 **Skil** 1875U1 **Wadkin** R500

General instructions for fitting Sub-bases to Router

1. Fit line up guide bush onto sub-base, with screws supplied.
2. Fit 12.7mm (1/2") shank line up pin into collet of router. Plunge router until pin projects through base and lock plunge.
3. Locate guide bush and sub-base assembly over protruding pin.
4. Line up fixing holes and fit screws.
5. Now tighten up screws.
6. Remove line up bush and line up pin. Alignment should now be correct. Fit 30mm guide bush and cutter.
7. Periodically check the sub-base is concentric to the spindle of the router.

30mm Guide Bush

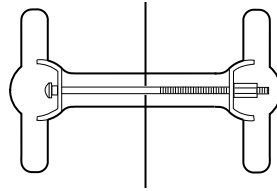
Ref. GB30



Panel Butt Connector Bolts

Ref. PC/10/M (Pack of ten)

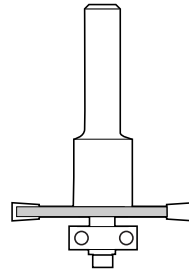
Panel butt connectors are essential for connecting worktops. They fit into the recess on the underside of the worktop and are tightened with a 10mm spanner. The jig has integral bolt recess slots to allow the bolt recess to be cut in the underside of the worktop, using cutter. The recess is elongated to allow easy access for the spanner.



Biscuit Jointer for the Router

Ref. 342X1/2TC, C152X1/2TC

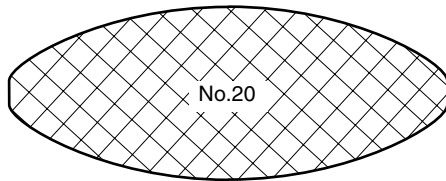
Worktops with inadequate support below them need additional stability by biscuit jointing the edges. The biscuit jointing set for the router together with the No.20 biscuits will ensure worktops do not sag or warp in time.



Flat Biscuit Dowels

Ref. BSC/20/100 (Pack of 100 biscuits)

Biscuits are used to strengthen the joint. When used with PVA glue they expand ensuring a tight joint.



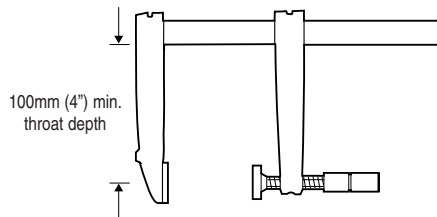
Clamp

Ref. FC/200

Two heavy duty quick action or gripper clamps with throats of at least 100mm (4") are required to secure the jig to the worktop.



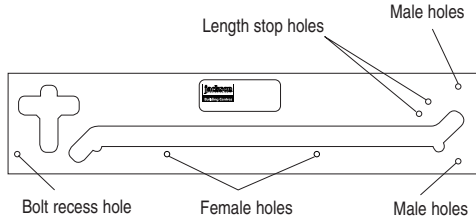
Whenever clamps are used, ensure they do not foul the router path and that they are securely tightened.



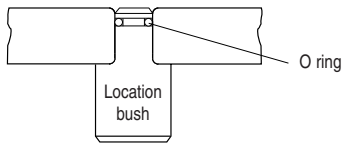
ASSEMBLY

Location Bush Identification

Three location bushes are used in different holes in the jig to align the correct template aperture for the application.



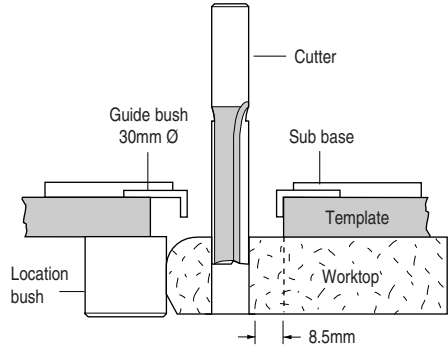
Location bushes are held in position by 'O' rings. Insert the smallest end of the bush into the hole by lightly pushing and turning at the same time. If the bushes are tight use a lubricant on the 'O' ring. Ensure bushes are fully home before use. When using jig ensure location bushes do not foul workbench.



In order to prevent breakout of the laminate, rotation of the cutter and feed direction must always be into the postform edge of the worktop.

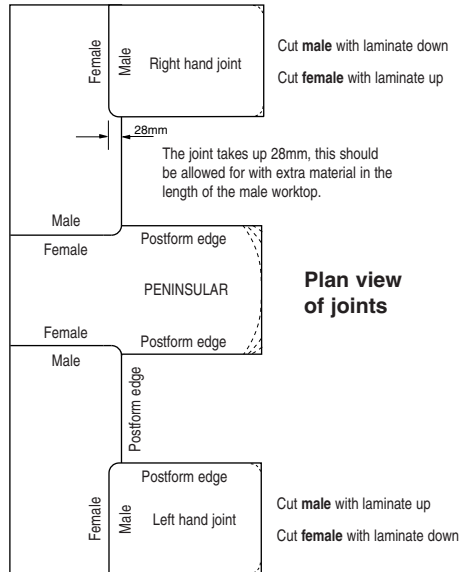
Margin Distance

Allow 8.5mm when cutting joints. Measure or use a batten of this thickness to aid setting out.



Setting out the Joints

When cutting a joint ensure location bushes contact the postformed edge of the worktop. For certain joints the worktop will need to be inverted so that all cuts are made into the postformed edge, never out through it. When routing worktop the balancing paper on the underside may feather edge – this feather edge should be removed with abrasive paper.



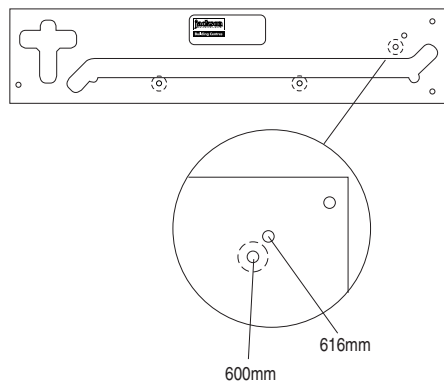
OPERATION



Setting the Length Stop for the Female Cut

Carry out the setting operation first:

- With the label side uppermost fit the length stop bush in one of the two holes depending on the width of the worktop. If worktop is not 600mm or 616mm, a packing piece, or a new hole to correct position will suffice.

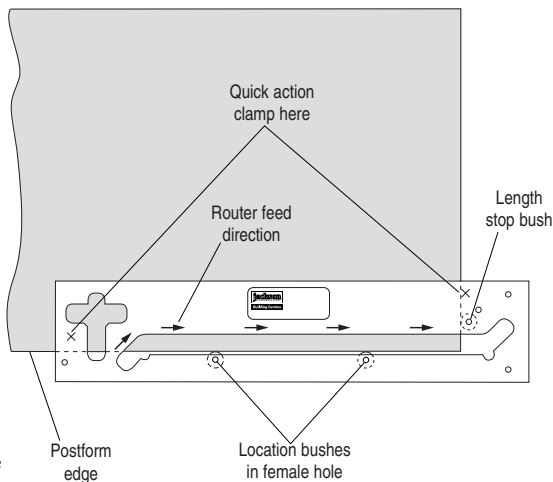


Female Joint



- Fit two location bushes in female holes as shown. (The label must be uppermost.) Leave the length stop bush in position.
- Place the template onto the worktop to be cut, ensuring the location bushes are touching the worktop. Now clamp securely in position using two quick action clamps (with minimum of 100mm throat) ensuring they will not foul the router path.
- Set cutter depth.
- Plunge router and cut joint in a series of passes, feeding left to right. At end of each cut release plunge.

Routing the female part of the Joint



When cutting a joint, hold the router guide bush hard against the template and cut from left to right. It is recommended that the depth stops of the router are used to set the depths of cut. Several shallow passes of the router should be made and it is not necessary to lean heavily on the router or the jig. Allow the weight of the router to rest on the part of the template which is resting on the worktop. Ensure router remains parallel and upright at all times.



Release plunge on router at end of each cut.



The edge of the jig slot that is not used is notched to act as a visual guide.



Ensure the router base will slide freely over the label. The label can be removed if necessary.

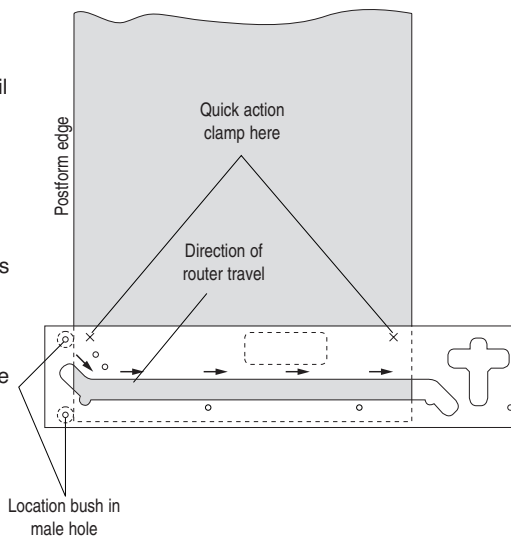
Male Joint

Depending on accessibility lay female worktop into position on units. Lay male worktop on top and support other end. Using a pencil draw round the female cut onto the male from underside. If inaccessible lay female onto male. Depending on a right or left hand joint, the pencil line may need to be transferred on to the other side. Due to the difference between the cutter and the guide bush diameters, the cutter path will be 8.5mm over from the edge of the template, therefore either measure 8.5mm or use a packing piece of this size to offset the template by this amount to ensure the cutter cuts along the pencil line.

The postformed edge of the worktop must always be in contact with the location bushes, this means that to cut a male right hand joint, the worktop must be inverted. Remembering to cut into the postformed edge.

- Insert two location bushes into male holes as shown, label facing down.
- Place template across the width of the worktop and clamp securely to worktop.
- Set cutter depth. Plunge router and cut the male joint before finally cutting the work-top to length. A series of passes should be made feeding from left to right. At end of each cut release plunge.

Routing the male part of the Joint



Ensure the router base plate will not foul the clamp.



Test fit the joints together, abrasive paper may be required to clean up the chipboard core.

Cutting the Bolt Recesses

When the joint has been tested, proceed as follows to cut the recess for panel butt connectors bolt on the underside of the worktop. The same cutter and guide bush are retained and used with the integral bolt recess slots in the jig to produce the recesses for the panel butt connectors. The bolt recess position can be gauged approximately 150mm from the edge of the postform edge, or where access is possible with kitchen units. Mark with pencil both positions on the underside of the worktop. Insert the location bushes into the bolt recess holes as shown.

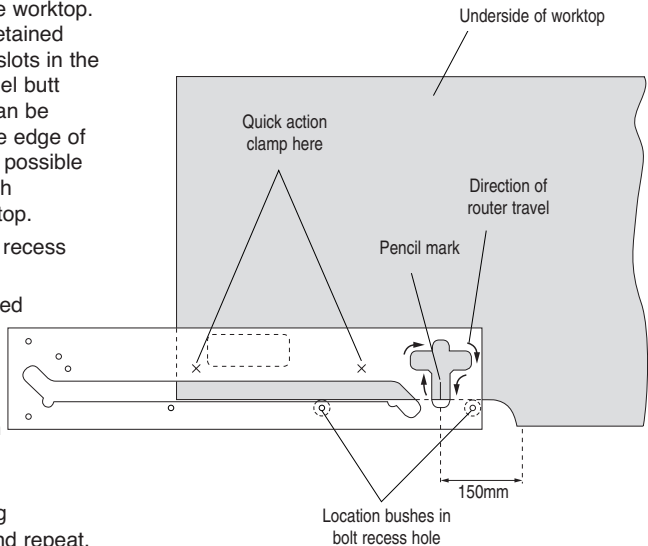
- The template may need to be inverted when cutting some bolt recesses.
- Securely clamp jig to worktop.
- The bolt recesses should be approximately 20mm deep although this will depend upon the thickness of worktop.
- Once one bolt recess is cut move jig over to the remaining pencil lines and repeat.
- Repeat the procedure for the male joint.

Worktop Thickness	Recess Depth
30	22mm
40	28mm

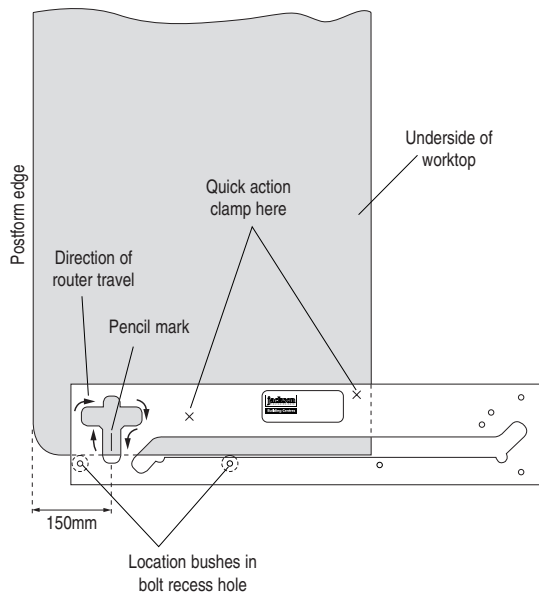


Best results are achieved when the centre line of the bolt corresponds to the centre line of the worktop. Clamp jig securely to worktop.

Routing the bolt recess in the female part of the joint



Routing the bolt recess in the male part of the joint



Strengthening the Joint

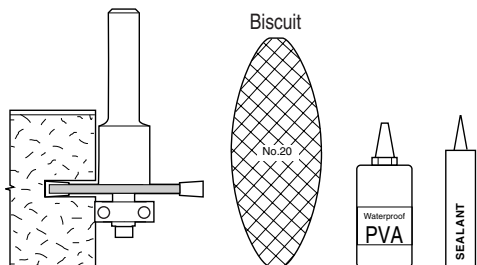
If the joint between the worktops is not supported underneath, after some time the joint may 'sag' and become misaligned; to reduce this the joint should be reinforced with a loose tongue or biscuit dowels. The biscuit jointing cutter set can be used with a portable router. The size of biscuit used should be No. 20.

Ref. BSC/20/100 (100 biscuits)

A 600mm worktop should have at least 5 biscuits.

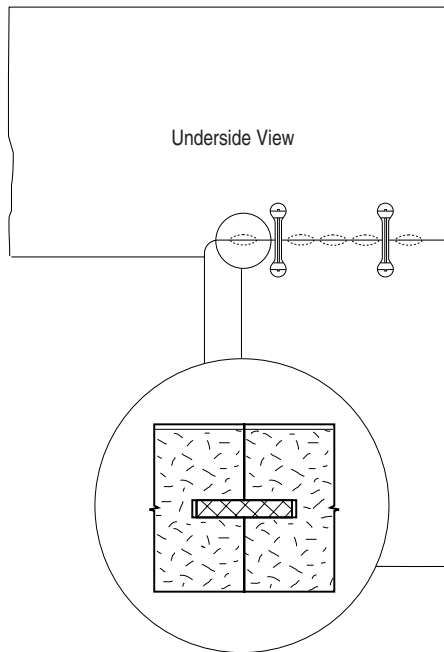
Sealing the Joint

The cut edges of the joint should be coated with a water-resistant adhesive, or sealant before assembly, to prevent moisture seeping into the core of the worktops, which would swell, and disfigure the worktop



SPARE PART

Replacement pack of three alloy location bushes.
Ref. JBC/KWJ/BPK



MAINTENANCE

The jig has been designed to operate over a long period of time with a minimum of maintenance. Continual satisfactory operation depends upon proper tool care and regular cleaning.

Cleaning

- Regularly clean the jig with a soft cloth.

Lubrication

- Your jig requires no additional lubrication.

ENVIRONMENTAL PROTECTION

Recycle raw materials instead of disposing as waste.

Packaging should be sorted for environmental-friendly recycling.

The product and its accessories at the end of their life should be sorted for environmental friendly recycling.

TROUBLE SHOOTING

Fault	Cause	Remedy
<p>■ Joint does not fit correctly at the radius.</p>	<p>Cutter or guide bush is the incorrect diameter or location bushes are not against worktop edge.</p>	<p>Check concentricity of cutter with guide bush. Cutter 12.7mm diameter with 30mm diameter guide bush. Ensure location bushes touch worktop.</p>
<p>■ The back edge of the joint does not line up.</p>	<p>Either the length stop or template was in the incorrect position, or the worktop has not pushed up against the length stop when the joint was cut.</p>	<p>Check position of length stop and re-cut joints.</p>
<p>■ When clamped together the joint has irregular gaps.</p>	<p>The guide bush has drifted away from the edge of the template whilst cutting either part of the joint, or wood chips in particle board have torn slightly.</p>	<p>Check with a straight edge which part of the joint is uneven and re-cut (this can only be done on the male cut) ensuring that the guide bush is kept against the template by machining from left to right. Use abrasive paper to remove torn wood chips.</p>
<p>■ Chipped laminate</p>	<p>Can be caused by a blunt cutter or removing too much material at one pass or exiting out of postform edge.</p>	<p>Always use sharp cutters and when cutting through the laminate cut 3–4mm of material. Maintain correct feed direction, to ensure cutter enters postform edge.</p>
<p>■ Jig slipping on material</p>	<p>Clamps not secure or too deep a cut being made or cutter is blunt.</p>	<p>Check clamps for wear. Clamp securely, take shallow passes, use a sharp cutter.</p>
<p>■ Cut joints not square</p>	<p>Router has tilted or operator has leaned heavily on router causing jig flex.</p>	<p>Ensure jig is supported and do not push hard on router taking shallow passes. Ensure weight of router is on supported part of jig and that the router is upright.</p>
<p>■ Assembled joint not flush or bowed</p>	<p>Worktop different thickness or worktop not flat (cupped).</p>	<p>Ensure worktop is same thickness and flat.</p>

GUARANTEE

1. This product has been manufactured to a high quality standard. It is guaranteed against faulty materials and workmanship for 12 months from purchase. Please retain your till receipt as proof of purchase.
2. If the product is found to be defective within the relevant time period, we will either replace all defective parts or, at our discretion, replace the unit free of charge with the same item or items of a greater value and/or specification.
3. This guarantee does not cover defects caused by or resulting from:
 - (a) Misuse, abuse or neglect
 - (b) Professional or hire use
 - (c) Or damage caused by foreign objects, substances or accident.
4. In the unlikely event that this product does develop a fault please contact the store that you purchased the jig from.
5. This guarantee is offered in addition to and does not effect your statutory rights, which may additionally enable you to cancel the contract. The warranty is only valid within the UK





www.jacksonbc.co.uk



RECYCLABLE

HEAD OFFICE
Pelham House, Canwick Road
Lincolnshire, LN5 8HG
Telephone 01522 511 115

KITCHEN WORKTOP JIG 600mm



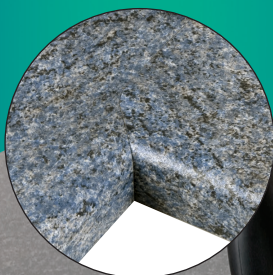
**FOR JOINING KITCHEN WORKTOPS
WITH A ROUTER**

INCLUDES:

- 3 x Setting Bushes
- 1 x Instruction Manual

REQUIRES:

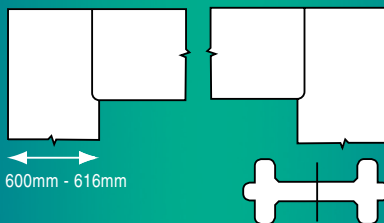
- 12.7mm (1/2") Collet Plunge Router
- 12.7mm (1/2") x 50mm TCT Router Cutter
Ref. 3/83DX1/2TC
- 30mm Guide Bush
Ref. GB30
- Universal Sub-base for Guide Bush
Ref. UNIBASE*
- Two 100mm (4") Throat Clamps Ref.
FC/200
- Panel Butt Connectors
Ref. PC/10/M



Made from durable
10mm thick phenolic.

WORKTOP WIDTH
600mm → 616mm

JOINT



JBC/KWJ600

5 027654 540879 >

www.jacksonbc.co.uk

*For certain makes & models of router

Router & worktop not included.