



**Adjustable Scoring System  
IT/9561**



**trend**  
routing technology

INST/IT/9561 v2.0

Please read carefully before use

**LEADER ADJUSTABLE SCORING SYSTEM**

**REF. IT/95610303 to IT/9561040Z**

Trend takes the guesswork out of adjusting and readjusting scoring sawblades.

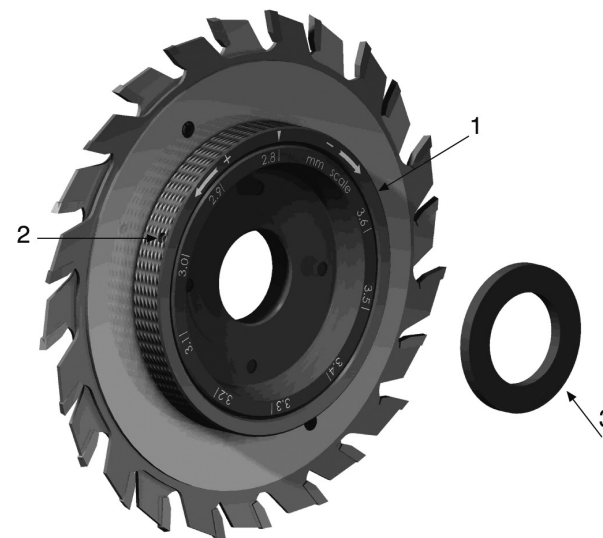
The **LEADER** system's patented adjustable scoring blades eliminate the need for spacers, endless measuring, reassembling, testing and adjusting to obtain the required width.

**HOW TO ADJUST THE SCORING WIDTH**

1. Release the locking screw (2) with the supplied Torx® key.
2. Turn the outer ring (1) anti-clockwise to increase the width of the scorer or clockwise to decrease it. Use the appropriate device to lock the saw spindle whilst adjusting the scorer.
3. Use the scorer's gauge to set the required cutting width.
4. Tighten the locking screw (2).
5. From time to time it is recommended that the scorer parts are cleaned with an air line.
6. Two washer rings (3) are available (Order Ref. IT/1963523 for 20mm spindles and Order Ref. IT/1963524 for 22mm spindles) for instances where the saw flange is too large to fit inside the **LEADER** scorer. The flange is left off and the spindle nut is tightened against the appropriate

washer ring.

7. Fitting rings are also available to adapt the **LEADER** scorer to smaller saw spindles. (For example – 15mm bore adapter for Altendorf machines. Order Ref. IT/19257001.)



**ENVIRONMENTAL PROTECTION**  
 Recycle raw materials instead of disposing as waste.

Packaging should be sorted for environmental-friendly recycling. The product and its accessories at the end of its life should be sorted for environmental-friendly recycling.

**GUARANTEE**

All Trend products are guaranteed against any defects in either workmanship or material, except products that have been damaged due to improper use or maintenance.

© Trend Machinery & Cutting Tools Ltd. 2007 E&OE  
 © All trademarks acknowledged

**Trend Machinery & Cutting Tools Ltd.**

Odhams Trading Estate St. Albans Road  
 Watford WD24 7TR England

Enquiries: \_\_\_\_\_ 0800 487363

Technical Support: \_0044 (0) 1923 224681

Fax: \_\_\_\_\_ 0044 (0) 1923 236879

Email: \_\_\_\_\_ enquiry@trendm.co.uk

Web: \_\_\_\_\_ www.trendmachinery.co.uk



RS 28982  
 Stockholding  
 & Supply

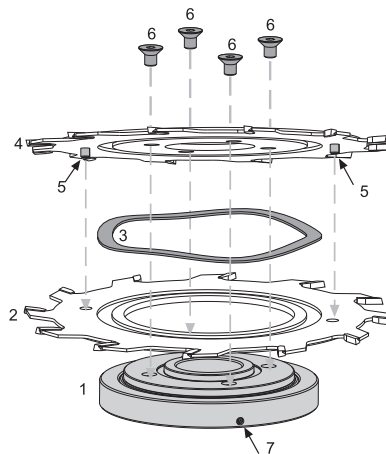


RECYCLABLE



**DISASSEMBLING AND ASSEMBLING INSTRUCTIONS FOR RE-SHARPENING**

1. Disassembling and assembling should be done when the outer ring is fully opened to the maximum width of 3.6mm.
2. Hold the upper sawblade (4) to prevent the spring ring (3) from jumping out.
3. Release the four hex screws (6).
4. Disassemble all the parts.
5. To assemble the tool, follow the order shown in the drawing.
6. Make sure that the locating pins (5) fit into the holes in the lower blade (2).
7. Check that the spring ring (3) is fitted into its' slot correctly and then tighten the four hex screws (6).

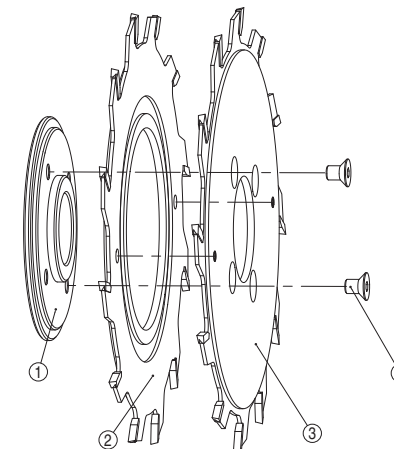


**PARTS SUPPLIED**

1. Base
2. Lower sawblade
3. Spring ring
4. Upper sawblade
5. Locating pins
6. Hex screws
7. Locking screw

**INSTRUCTIONS FOR RE-SHARPENING**

1. By using the necessary grinding attachment (Order Ref. IT/5510701) it is possible to grind both parts of the scorer together.
2. Follow the instructions for disassembling the scorer shown on the right.
3. Place the left (2) and right (3) sawblade together, making sure the locating pins fit into the holes in the opposite blade.
4. Screw the grinding fixture (1) to the two sawblades with the supplied hex screws (4). Ensure that the screws are placed into the holes as shown in the drawing.



Our policy of continuous improvements mean that specifications may change without notice. Trend Machinery & Cutting Tools Ltd. cannot be held liable for any material rendered unusable, or for any form of consequential loss.