

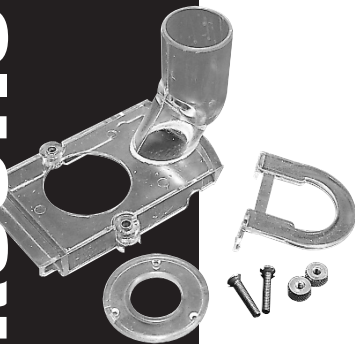
# Dust Extraction Kit E44191

# INSTRUCTIONS

**trend**<sup>®</sup>  
routing technology

INST/E44191 v2.0

Please  
read carefully  
before use

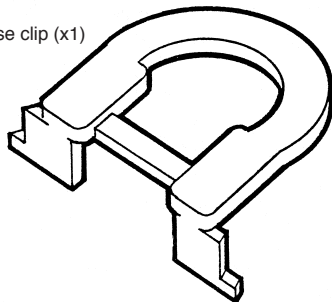


## DUST EXTRACTION KIT FOR ELU MOF 131 & 177 (E) ROUTERS REF. E44191

### Central Dust Hood Set

- For general routing operations.
- Fits Elu MOF 131 and 177(E).
- A three piece set which includes a central hood and a hose clip.
- A reducer ring is also supplied when smaller diameters cutters are used.
- Hood is fixed in position with two nuts and bolts.
- Hose not supplied.

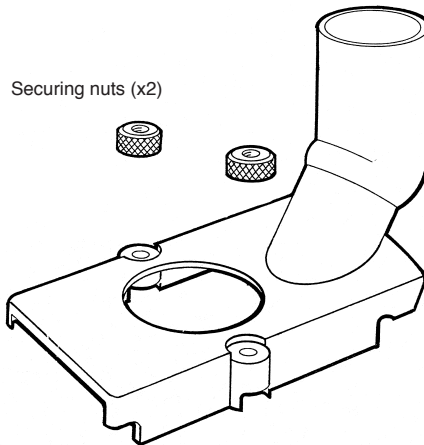
Hose clip (x1)



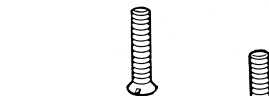
Reducing ring (x1)



Dust hood (x1)



Securing nuts (x2)



Hood fixing screws (x2)

© Trend Machinery & Cutting Tools Ltd 2000 E & OE

**Trend Machinery & Cutting Tools Ltd**  
Unit 6 Odhams Trading Estate  
Watford WD2 5TR  
Technical Support: 01923 224681  
Fax: 01923 236879  
Email: [mailserver@trendm.co.uk](mailto:mailserver@trendm.co.uk)  
WWW: [www.trendm.co.uk](http://www.trendm.co.uk)



RS 28982  
Stockholding  
& Supply



RECYCLABLE

