

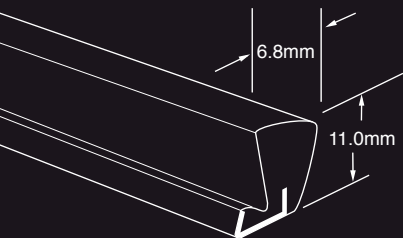
CASEMENT WINDOWS

WEATHERSEAL

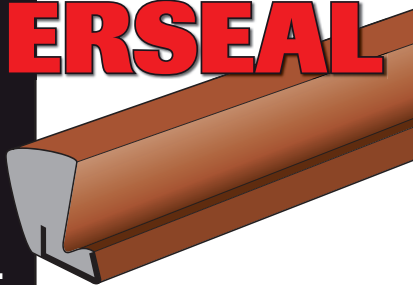
A resilient non-stretch, non-shrink cellular core weatherseal with low friction outer sheath, to help prevent the binding of windows.

- Insert retention leg enables fast & effective insertion.
- Low compression force helps ease window & door operation.
- Maintains weathering characteristics & resists compression set over a wide temperature range +70°C to - 30°C.
- Unaffected by paint, stains, rot, fungi, UV light & ozone.

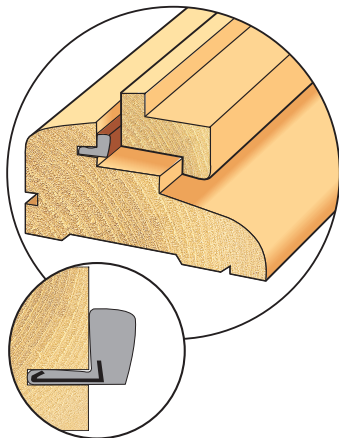
Performance BS 12365-12003
Classification W35560



trend[®]
routing technology



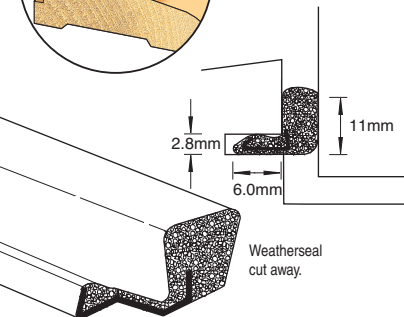
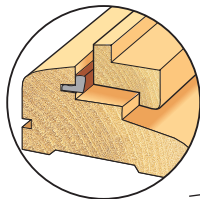
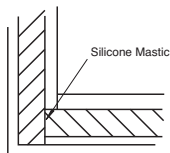
AQUA 109 & P11 STYLE



Colour	Approx. Length	Product Ref.
White	10 metres	AQ109/W/10
	25 metres	AQ109/W/25
	500 metre roll (2 x 250m)	AQ109/W/500
Brown	10 metres	AQ109/B/10
	25 metres	AQ109/B/25
	500 metre roll (2 x 250m)	AQ109/B/500

TYPICAL APPLICATION

The weatherseal is fitted into the frame rebate (head and jambs) in four cut lengths. It is important to create tight butt or notch joints to ensure high levels of window performance. Joints can be enhanced by the application of a small amount of silicone mastic. When fitted it is necessary to notch the seal end.



Product Ref. **HM/SHEAR**

For perfect snipping and mitre cuts of weatherseal, mouldings and beading.



Site Practice

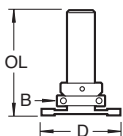
Weatherseals are unaffected by the application of paint and stain. Wet paint can be removed using a cloth moistened with a mild solvent i.e. white spirit.

Maintenance

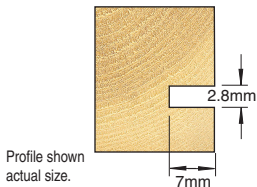
Weatherseals can be wiped clean with a damp cloth. Normally a cleansing agent will not be required.

TOOLING REQUIRED

The groove is routed in the frame using a 1/4" if access allows, or 1/2" shank capacity router and router cutter. The Ref. C212AX1/4TC cutter or Ref. C212X1/2TC cutter will cut a 2.8mm x 7mm groove to accommodate the seal.



Ref. C212A shown.



D mm	C mm	B mm	OL mm	Product Ref.
34.0	2.8	22.0	55.5	C212AX1/4TC
36.0	2.8	24.0	80.0	C212X1/2TC

Trend Machinery & Cutting Tools Ltd.

Tel: 0044(0)1923 249911
technical@trendm.co.uk
www.trend-uk.com

