

trend
routing technology



AIRSHIELD PRO

AIR CIRCULATING FACE SHIELD



**VISOR APPROVAL
Z87+ HIGH IMPACT**



Please read these instructions before use.

Dear Customer

Thank you for purchasing this Trend product, we hope you enjoy many years of creative and productive use.

Please remember to return your guarantee card within 28 days of purchase.

CONTENTS

INTRODUCTION _____ **2**
SUITABILITY FOR USE _____ **3**
APPROVALS _____ **4**
TECHNICAL DATA _____ **4**
ELECTRICAL SAFETY _____ **5 - 6**
ADDITIONAL PRECAUTIONS _____ **7**
ITEMS ENCLOSED _____ **7**
DESCRIPTION OF PARTS _____ **8**
ASSEMBLY, ADJUSTMENT & OPERATION
 - Battery Pack Charging and Installation _____ **9**
 - Visual Inspection _____ **10**
 - Functional Test _____ **10**
 - Low Battery Warning _____ **10**
 - Fitting Procedure _____ **11**
 - Removing Faceshield _____ **11**
 - Ear Defender Clips _____ **11**
ACCESSORIES _____ **12**
MAINTENANCE & CARE _____ **12**
 - Routine Checks _____ **13**
 - Storage _____ **13**
 - Transportation _____ **13**
REPLACEMENT SPARE PARTS _____ **14**
 - Battery Pack _____ **14**
 - Air Filter _____ **15**
 - Face Seal _____ **15**
 - Visor _____ **16**
 - Headband _____ **16**
 - Visor Overlay _____ **15**
 - Fan Motor Unit _____ **17**
 - Electronics Unit/Switch Housing _____ **17**
ENVIRONMENTAL PROTECTION _____ **17**
GUARANTEE _____ **18**
SPARE PARTS
 - Spare Parts List _____ **18**
 - Spare Parts Diagram _____ **19**

For Technical Support
Email: technical@trend-usa.com

INTRODUCTION

The Airshield Pro (AIR/PRO) is a lightweight powered unit intended for full eye and face protection from solid dust, impact and chemical liquid splash.

The Airshield Pro protects the users eyes and face from small debris such as wood particles or wood shavings.


The Airshield Pro is powered by a rechargeable battery pack held inside the unit. Air is filtered through the unit to provide a constant flow of clean air over the face. A face seal ensures that positive pressure is maintained within the unit.


The Airshield Pro has an adjustable headband and concussion cradle, ensuring a comfortable fit for most head sizes.

Wide range of applications including - woodworking, pottery, craft design and technology, DIY and building maintenance, food preparation and processing, fitting and application of insulation, dental laboratories, horticulture and pest control.

Read this manual before using the Airshield Pro. It must be fitted and used in accordance with this manual to obtain the design performance. Use as part of your maintenance program.

The following symbols are used throughout this manual:

 Denotes risk of personal injury, loss of life or damage to the tool in case of non-observance of the instructions in this manual.

 Denotes risk of electric shock.

Caution

Carefully read through this entire instruction Manual and the entire router Operator's Manual before using your new AIR/PRO. Pay close attention to the Safety section and the Safety Symbols. If you use your AIR/PRO properly and only for what it is intended, you will enjoy years of safe, reliable service.

SUITABILITY FOR USE

This visor must be used strictly in accordance with these instructions. Do not use the AIR/PRO visor for protection against unknown atmospheric contaminants or when concentrations of contaminants are unknown or immediately dangerous to life or health, or in atmospheres likely to be deficient in oxygen.

Only use this AIR/PRO with the parts and accessories listed in these instructions.

The AIR/PRO is only for use by trained, competent personnel. In the power-off state little or no respiratory protection is to be expected, and this is considered to be an abnormal situation.

In the power-off state there will be a rapid build up of carbon dioxide and depletion of oxygen may occur.

Without the face seal fitted no respiratory protection is to be expected. At very high work rates and peak inhalation the pressure flow in the device may become negative.

Ophthalmic spectacles may transmit impacts from high-speed particles, thus creating a hazard to the wearer.

Leave the contaminated area immediately if any of the following conditions apply:

- The buzzer sounds.
- Any part of the AIR/PRO becomes damaged.
- Airflow into the AIR/PRO decreases or stops.
- Breathing becomes difficult.
- Dizziness or other physical distress or irritation occurs.
- The user tastes or smells contaminants.

Never modify or alter this product, except as directed in the service tasks contained in these instructions.

Some fabric parts of the AIR/PRO which may come into contact with the wearer's skin could cause allergic reactions to susceptible individuals.

Head Protection: This is **NOT** an industrial safety helmet.

Warning

The TREND AIRSHIELD PRO is not a RESPIRATOR nor a NIOSH approved device. Using the power visor against harmful substances may result in sickness or death. This filter will not protect your lungs against harmful vapors or toxic fumes. Misuse may result in sickness or death. For proper use, read instruction manual.

Use for:

Relief from the bothersome effects of the common nuisance dusts. Provides limited eye and face protection. Users must evaluate their specific eye and face hazards and choose appropriate protective equipment such as safety glasses.

Do not use for:

Protection from harmful dusts, mists, fumes or vapours. Professional/occupational applications where NIOSH approved respiratory protection is required.

Transportation

For transportation purposes use the carry bag provided and protect the unit from physical or chemical damage.



Please read the operating instructions carefully and keep them together with the AIR/PRO.



Before use fully charge the battery for 24 hours.



Not to be used if the contaminate is potentially explosive or highly flammable.

APPROVALS

The Trend Airshield Pro has been tested to ANSI Z87.1 by ICS Laboratories, 1072 Industrial Parkway, Brunswick, Ohio 44212.

The visor, when fitted to the unit gives protection as detailed below:-
ANSI Z87+ HIGH IMPACT

Note that contact of the visor with your skin will not cause allergic reactions under normal conditions. It is unlikely that any contact will occur in normal conditions of use.

The frame is marked:-
Trend Routing Technology
Airshield
ANSI Z87+ HIGH IMPACT
Size range 6 - 3/8" - 7-3/4"
Year of manufacture

Respiratory Protection (Reference Only):
BS EN 12941:1999, respiratory devices, powered filtering devices class TH2P. For use against solid particulates only.

Eye Protection:
ANSI Z87+ HIGH IMPACT.

TECHNICAL DATA

Type: Powered AIR/PRO.
This unit does not carry any respiratory approvals in North America. Record keeping should be in accordance with OSHA.

Voltage	12V
Head size	20 1/2" to 24 1/2"
Protection factor	Assigned (APF) 20
Motor sound level	70db
Weight	2.21 lbs nominal
Temperature range	Charging +41°F to +104°F Use -23°F to +104°F Storage +41°F to +104°F
Airflow	Initial 7.06 cf/min (clean filter, fully charged battery) Minimum 5.6 cf/min
Humidity	0-90% storage and use (Store out of direct sunlight)
Pressure	Storage 80Kpa to 130Kpa Use 80Kpa to 130Kpa
Battery	
Type:	Ni-MH
Voltage	3 Cell, nominal 3.6V
Capacity	3.5Ah
Life	8 hours (fully charged battery pack fitted)
Charging method/rate	Mains Charger 14 hours from fully discharged.
Weight	0.42lbs
Charger	
Mains voltage	120V
Consumption	4W nominal
No load output	12VDC
Nominal output	4.2V 300mA
IP20	Indoor use only EN 60335-1, 60335-2-29
Weight	0.44 lbs

ELECTRICAL SAFETY 

Power Supply

The charger has been designed for one voltage only. Always check that the power supply corresponds to the voltage on the rating plate.



The charger is double insulated.



Never connect to a light socket. Never connect the live (L) or neutral (N) wires to the earth pin marked E or ⚡.

Safety Instructions for Battery Charger 

Before using charger, read all instructions and cautionary marking on charger, battery pack, and AIR/PRO. Only charge your batteries indoors as the charger is designed for indoor use only.



120 volts present at charging terminal. Do not probe with conductive objects. There is a danger of electric shock.



If battery pack case is cracked or damaged, do not insert into charger. There is a danger of electric shock.

- The charger and battery pack is specially designed to work together. DO NOT attempt to charge the battery pack with any other chargers.
- Do not expose charger to rain or snow.
- The charger is not intended for any uses other than charging AIR/PRO rechargeable batteries. Any other uses may result in risk of fire, electric shock or electrocution.

- To reduce risk of damage to the charger, pull by charger body rather than cord when disconnecting charger from power supply.
- Make sure cord is located so that it will not be stepped on, tripped over, or otherwise subjected to damage or stress.
- An extension cord should not be used.
- The charger is ventilated through slots in the housing. Do not place any object on charger that might block the ventilation slots and result in excessive internal heat. Place the charger in a position away from any heat source.
- Do not operate charger with damaged cord or plug - have them replaced immediately.
- Do not operate charger if it has received a sharp blow, been dropped, or otherwise damaged in any way.
- Do not disassemble charger. Incorrect reassembly may result in a risk of electric shock, electrocution or fire.
- To reduce risk of electric shock, unplug charger from outlet before attempting any cleaning. Removing the battery pack will not reduce this risk.
- **NEVER** attempt to connect two chargers together.
- **DO NOT** store or use the tool and battery pack in locations where the temperature may reach or exceed 104°F (such as outside sheds or metal buildings in summer).
- The charger is designed to operate on standard household electrical power. Do not attempt to use it on any other voltage!

Safety Instructions for Battery Packs 

- The battery pack is not fully charged when first purchased. First read the safety instructions below, then follow charging notes and procedures.
- Do not incinerate the battery pack even if it is severely damaged or is completely worn out. The battery pack can explode in a fire.

- A small leakage of liquid from the battery pack cells may occur under extreme usage or temperature conditions. This does not indicate a failure. However, if the outer seal is broken and this leakage gets on your skin:
 - a. Wash quickly with soap and water.
 - b. Neutralize with a mild acid such as lemon juice or vinegar.
 - c. If battery liquid gets into your eyes, flush them with clean water for a minimum of 10 minutes and seek immediate medical attention.
- Never attempt to open the battery pack for any reason. If the plastic housing of the battery pack breaks or cracks, immediately discontinue use and do not recharge it.
- Do not carry extra battery packs in aprons, pockets, or toolboxes along with metal objects. Battery pack could be short-circuited causing damage to the battery pack and possibly causing severe burns or fire.
- Charge the battery packs only in a Trend AIR/PRO charger.
- Do not charge the tool in a damp or wet environment.
- Longest life and best performance can be obtained if the battery pack is charged when the air temperature is between 64.5°F and 75°F. DO NOT charge the battery pack in an air temperature below 41°F, or above 104°F. This is important and will prevent serious damage to the battery pack.
- The charger and battery pack may become warm to touch while charging. This is a normal condition, and does not indicate a problem.
- To prevent overheating, do not cover the charger and do not charge battery packs in direct sunlight or near heat sources.
- If the battery pack does not charge properly:-
 1. Check the main supply socket by plugging in a lamp or other appliance.
 2. Move charger and battery pack to a location where the surrounding air temperature is approximately 64.5°F and 75°F.

3. If charging problems persist, take or send the tool, battery pack and charger to your dealer.
 - DO NOT CONTINUE to use if the battery pack does not charge properly.
 - Always unplug the charger from the power supply when there is no battery pack fitted. Unplug charger before attempting to clean.
 - Do not freeze or immerse charger in water or any other liquid.



Do not allow any liquid to get inside charger. Electric shock may result. To facilitate the cooling of the battery pack after use, avoid placing the charger or battery pack in a warm environment such as in a metal shed, or an un-insulated trailer.



Never attempt to open the battery pack for any reason. If the plastic housing of the battery pack breaks or cracks, do not use it.



Read all of the instructions in the battery charger section of this manual before attempting to charge the battery pack for the AIR/PRO.

- Always use correct battery pack (pack supplied with tool or exact replacement pack). Never install any other battery pack as it will damage the AIR/PRO and may create a hazardous condition.

ADDITIONAL SAFETY PRECAUTIONS FOR AIR/PRO



- Protective Equipment should be stored in a cool dry place.
- For adequate protection the AIR/PRO must fit or be adjusted to the size of the head.
- DO NOT clean with proprietary cleaning media or solvents, follow the instruction in manual.
- DO NOT apply paint, solvents, adhesives or self-adhesive labels which are not approved by Trend.
- DO NOT use AIR/PRO without filters fitted, with damaged seals and/or damaged visor.
- DO NOT use replacement parts except those supplied by Trend.
- To maintain the full efficiency of the AIR/PRO, there must be no alteration to the structure or it's component parts.
- Toxic Dusts on the AIR/PRO or filters from usage should be handled in a safe manner in accordance with your chemical or material suppliers instructions. Used filters to be disposed of safely in the same manner.

If further information is required with regards to the AIR/PRO, please contact Trend.



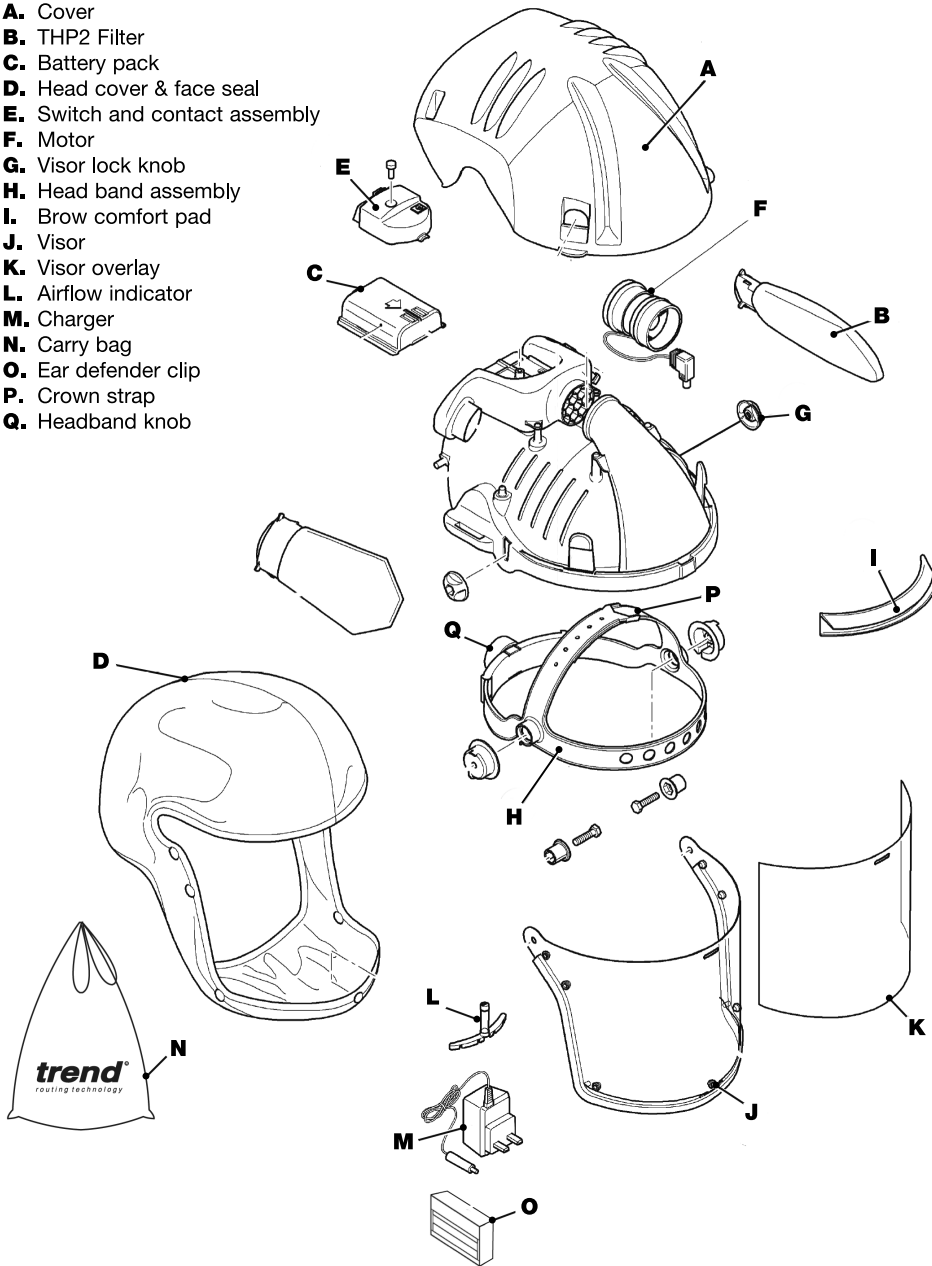
Charge the battery pack before use. Ensure the AIR/PRO is correctly assembled with the filter and a fully charged battery pack.

ITEMS ENCLOSED

- 1 x Airshield Pro complete
- 1 x Airflow indicator
- 1 x Pair THP2 filters
- 1 x 8 Hour rechargeable battery
- 1 x Disposable visor overlay - clear (may be already fitted)
- 1 x Battery charger
- 1 x Pair ear defender clips (for Trend accessory Ref. AIR/P/6 only)
- 1 x Carry bag
- 1 x Instruction manual
- 1 x Guarantee card

DESCRIPTION OF PARTS

- A. Cover
- B. THP2 Filter
- C. Battery pack
- D. Head cover & face seal
- E. Switch and contact assembly
- F. Motor
- G. Visor lock knob
- H. Head band assembly
- I. Brow comfort pad
- J. Visor
- K. Visor overlay
- L. Airflow indicator
- M. Charger
- N. Carry bag
- O. Ear defender clip
- P. Crown strap
- Q. Headband knob



ASSEMBLY, ADJUSTMENT & OPERATION

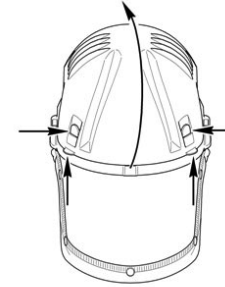
Battery Pack Installation

The AIR/PRO is supplied with one rechargeable battery pack for eight hours duration.

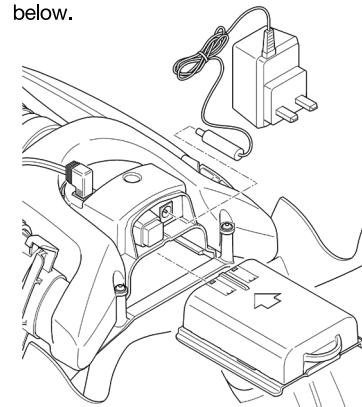
Battery pack must be initially charged for 24 hours.

Check that the voltage shown on the charger is suitable for the mains supply. A thermal fuse protects the charger against short circuiting and overloading.

- Lift the cover by pressing the forward side tabs inwards and rotating the cover rearwards as shown below:



- Slide the battery pack into its housing as shown below.



- Refit cover ensuring tabs lock the cover in position.

Battery Pack Charging

- Fit the battery charger connector into the rear of the electronics unit and connect the charger to a mains AC supply.
- After charging switch off the mains AC supply, remove the charger connector from the AIR/PRO.

Battery packs should be initially charged for 24 hours and 14 hours thereafter when fully discharged. Full working capacity of the battery will not be achieved until the battery has been through 3 or 4 complete charging cycles. Please note the light will not extinguish when a full charge has been achieved.

When plugged into a 'live' outlet, and no battery is connected the LED illuminates green to show a live circuit. When connected to a battery, in a helmet or battery cradle, the LED changes to red. When battery charging is complete, the LED remains red and the battery is on a trickle charge. When charging is complete unplug the battery from the charger (24h for the first charge and 14h for subsequent charges), a timer may be used to monitor the charge time

The AIR/PRO has a pre-use and low battery audio signal. Leave the contaminated area if the buzzer sounds.

Charger must be disconnected from the mains supply when not in use.

After the charging period, remove the charger from the AC supply socket. An accessory external remote battery charger cradle Ref. AIR/P/7 is also available.

Remote Battery Cradle Accessory Ref. AIR/P/7

- Remove battery pack from the AIR/PRO.
- Fit the charger connector into the socket in the remote battery cradle. Connect charger to a mains AC supply.
- Fit the battery into the cradle. The LED lights up to red. When charging completed LED will change to green.
- After charging of battery, switch off the mains AC supply, remove the battery from the cradle and remove charger connector from the cradle.

Visual Inspection

- Check the face seal material for damage.
- Check the face seal attachment to the AIR/PRO chassis and visor.
- Check the visor seal for damage.

Replace any damaged parts including scratched or damaged visors.

Functional Test

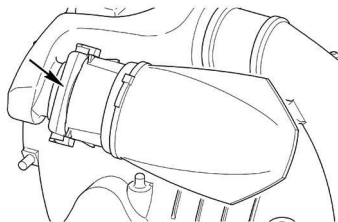
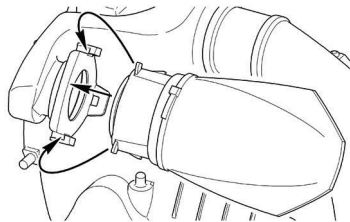
The purpose of this test is to ensure that the airflow through the AIR/PRO is in excess of the minimum design value of 5.6 cubic feet per minute.

Proceed as follows:

Ensure that the air filters have been installed correctly as shown.

To fit air filter

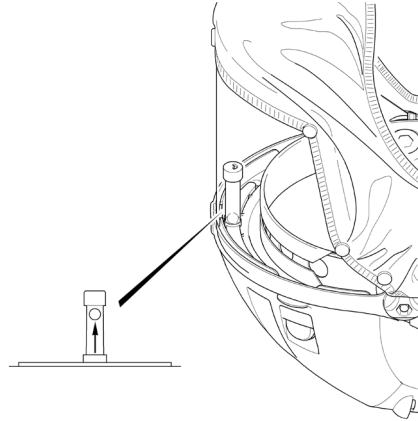
- Hold the neck of the fitted air filter and push firmly toward sealing face to release from securing tabs and lift filter upwards to remove. Discard appropriately.



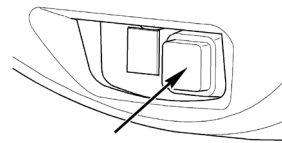
- Locate new air filter against sealing face. Push firmly toward sealing face and downwards. Filter will click in securing tabs.
- Repeat for other filter.
- Refit cover.



Hold plastic neck of air filter to fit and remove. Do not pull on filter.



To check the airflow turn the AIR/PRO upside down and locate the airflow indicator on the four slots at the front of the AIR/PRO.



Press the red on/off switch to operate the fan. The red ball is raised to the top of the indicator tube if the system is operating correctly.

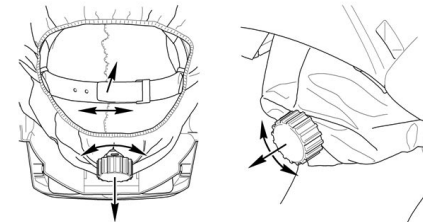
If the red ball is raised to less than half the height of the tube then either the battery charge is low or the filters are blocked and need replacing.

Low Battery Warning

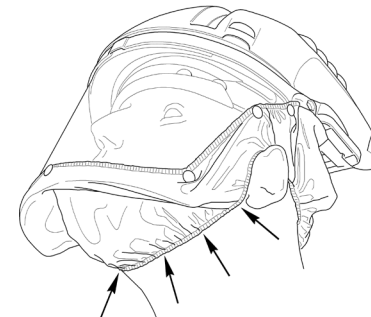
If an audible regular intermittent tone sounds, recharge or replace the battery pack.

Fitting Procedure

- The crown strap has a soft pad that needs to be removed before adjustment. Adjust the crown strap length on the headband so that the headband rests against brow.
- Crown strap adjustment is made by pulling the tab out of the strap and placing the pin into the next suitable hole, once set replace pad.
- Adjust headband diameter by pulling out knob and rotating for head size, push the knob in to secure as shown.



- Ensure face seal is above the ears. Check that the face seal is taut so that there are no gaps between mask and face as shown.



- Switch on the fan/motor by operating the red on/off switch.
- Adjusting the height will affect the fit around the chin.
- Adjusting the face seal will affect the fit at the sides.



Ensure face seal is above the ears.

- Ensure that the face seal around the chin and sides is pulled away from the frame and visor and not towards it.
- Check the fit of the face seal in a mirror and/or run a finger around the line of the face seal to ensure contact.



At very high work rates, the pressure within the AIR/PRO may momentarily become negative at peak inhalation.



Vacate the contaminated area immediately if the airflow is reduced or stops, or the low battery warning buzzer sounds.



If protective clothing is worn, ensure the bottom of the visor is not obstructed.



Removing Procedure



Vacate from the contaminated area before removing the AIR/PRO.

- Raise the visor and switch the fan motor off.
- Pull out the knob to release headband and lift the AIR/PRO from the head.
- After finishing using the AIR/PRO follow the maintenance procedure.



Ear Defender Clips

Please refer to instructions supplied with accessory ref. AIR/P/6 for fitting defender clips and ear defenders to the AIR/PRO.

ACCESSORIES

Please use only Trend original accessories.

- Ref. AIR/P/1** THP2 filter pack (pair)
- Ref. AIR/P/3C** Visor overlay - clear (pack of ten)
- Ref. AIR/P/4** 8 hour battery
- Ref. AIR/P/5/L/USA** 120V charger
- Ref. AIR/P/6** Ear defenders (pair)
- Ref. AIR/P/7** Remote battery charger cradle
- Ref. AIR/WIPE** Airwipes (100 wipes)
- Ref. WP-AIR/05/USA** Sweatband available for users with smaller craniums.

MAINTENANCE AND CARE

AIR/PRO Cleaning

After using the AIR/PRO follow the procedure below:



AIR/PRO should not be cleaned with compressed air, solvents, sterilising by heat or autoclaving, as this will cause damage.

Precautions are to be taken to prevent inhalation of harmful dust or contaminant on the surface or retained on the filters.

- Carefully remove bulk contamination from the AIR/PRO and wipe down with a damp cloth containing a mild detergent solution.
- Clean and sterilise all parts by wiping down the visor, face seal and headband with visor wipes (ref. AIR/WIPE) (Sodium Hypochlorite or Ethylene Oxide Gas have also been proved effective).

- Do not immerse the AIR/PRO in water or any other fluids.
- Do not use organic solvents or abusive cleaning agents on any part of the the equipment.
- After cleaning carry out the functional test.



Gamma sterilisation is effective but causes embrittlement of plastic components and is not recommended.

Replace if deficient after the following checks.

1. Excessive abrasion and scratches on the visor.
2. The face seal for its seal to the visor and for holes.
3. Fit and fastenings to the headband.



Scratched or damaged visor may not offer full protection and therefore should be replaced.

Specific Instructions for Cleaning and Disinfection of Visor

Clean with a damp cloth – do not use hydrocarbons, chemicals, cleaning fluids or solvents on the visor. If necessary, a mild solution of washing-up liquid and warm water may be used.

Charger Cleaning

- Dirt and grease may be removed from the exterior of the charger using a cloth or soft non-metallic brush. Do not use water or any cleaning solutions.



Disconnect the charger from the AC outlet before cleaning.

Lubrication

- Your AIR/PRO requires no additional lubrication.

Routine Checks

The expected life of the visor is approximately 3 years if well maintained and cleaned. (Care must be taken not to scratch the visor).

This manual contains relevant guidance on routine maintenance; however, you may wish to introduce additional checks as required by OSHA. The following table shows the frequency of these checks.

Operation	Frequency
Clean Internally and Externally	Daily
Visual Inspection	Daily
Charge Battery Pack/Packs	Daily
Functional Test*	Daily, Weekly and Monthly

* Remarks: Dust from wood, grain and cement may require more frequent replacement of the filter. No filter should be left in the hood/helmet for more than 1 month if in daily use or 3 months if used infrequently.

Storage

- The AIR/PRO should be placed in the carry bag, stored within a temperature range of 41°F to 104°F and out of direct sunlight.
- Replacement filters are to be left in air sealed bags and expiry dates to be checked regularly.

Transportation

- The complete AIR/PRO should be transported in the carry bag provided. Good quality commercial packing should be used.

Symptom	Cause	Remedy
Reduced Airflow	Cover air holes blocked	Clear air flows
	Filters clogged	Fit a new filter
	Battery flat	Recharge battery or fit recharged battery pack
No airflow	Unit switched OFF	Press switch to ON
	Switch faulty	Replace switch housing
	Battery pack not fitted	Fit a fully charged battery pack
	Battery pack discharged	Fit a fully charged battery pack
	Fan-motor unit failure	Fit a replacement fan-motor unit

REPLACEMENT OF SPARE PARTS



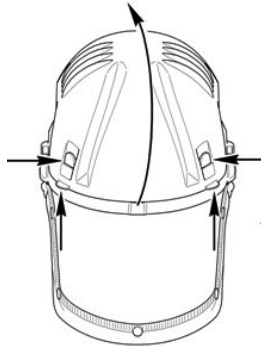
Replacement parts and accessories supplied by Trend should only be used. The use of accessories not supplied by Trend will not be guaranteed and invalidate such National approvals as held by Trend. Modifications to the AIR/PRO will make the approvals invalid and the use illegal under National Laws and Guidance.

Trend replacement parts and accessories, must only be used with the AIR/PRO.

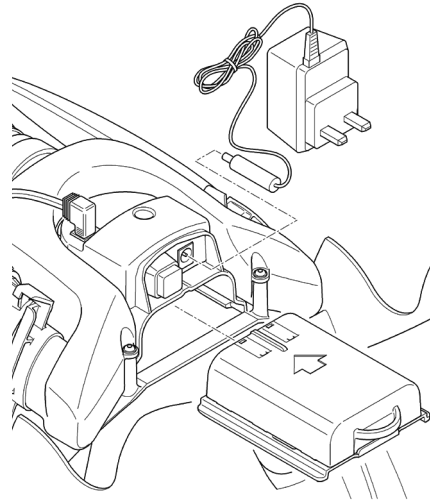
Battery Pack



- Lift the cover by pressing the forward side tabs inwards and rotating the cover rearwards as shown below.



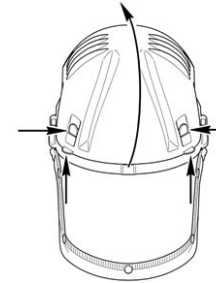
- Slide the battery pack out of its housing.
- Replace with new battery.
- Refit cover ensuring tabs lock the cover in position.



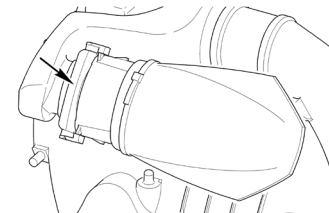
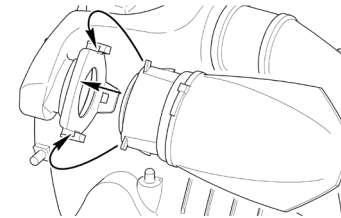
Air Filter



- To replace air filter, lift the cover as shown.



- Hold the neck of the fitted air filter and push firmly towards sealing face to release from securing tabs and lift filter upwards to remove. Discard appropriately.



- Locate new air filter against sealing face. Push firmly toward sealing face and downwards. Filter will click in securing tabs.
- Repeat for other filter.
- Refit cover

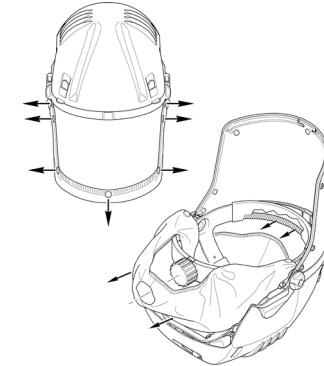


Precautions are to be taken to prevent inhalation of harmful dust or contaminant on the surface or retained on the filter and inside the cover.

Face Seal

Replace the face seal as shown.

- Starting from the center of the visor, pop up studs on face seal. Release from front of helmet.

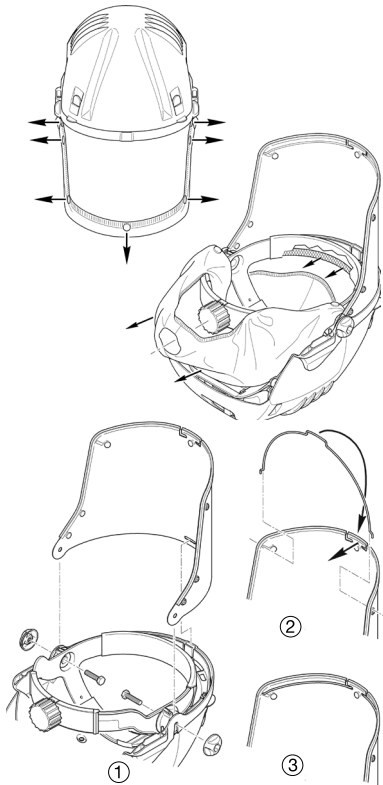


- Unfasten the crown strap on the headband and release elastic loops on each side.
- Pull face seal over the headband knob and remove face seal from AIR/PRO.
- Tuck edge strip of new face seal under headband and secure and close tape of AIR/PRO. Slip the elastic loops over headband knob and secure to visor pop studs.

Face seals should be stored out of direct sunlight and replaced at least every 5 years.

Visor 

- Remove the seven face seal pop studs from visor.
- Replace the old or damaged visor assembly as shown.

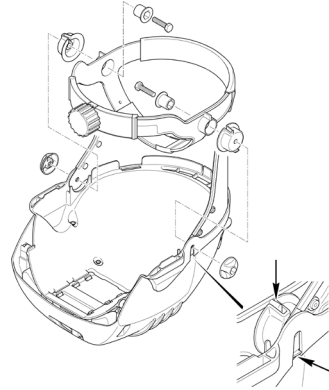


- Release nuts and push screws inwards, release the front tab and lift visor from the helmet.
- Fit replacement visor ensuring slot in visor locates on tab and bottom edge in grooves, secure with screws and nuts.
- Fit visor stiffener wire. Insert the wire ends into the outer slots provided and rotate to engage securely in the center slot.
- Visors should be stored out of direct sunlight and replaced at least every 5 years.

Headband 

Remove face seal and visor as shown.

Install a new headband assembly as shown.



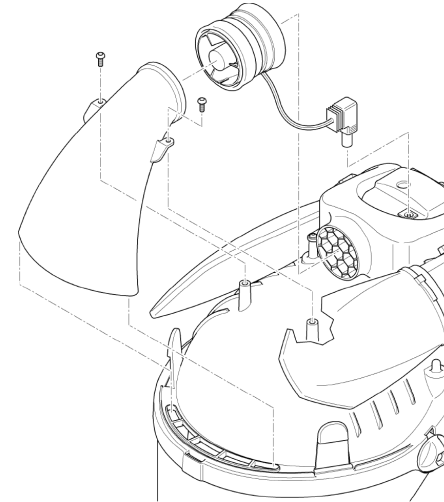
- Release nuts and screw and remove the headband from the helmet.
- Assemble anti-rotating cap and screw retainer to headband noting that anti-rotating caps are marked 'L' (left) and 'R' (right).
- Position the headband in the helmet ensuring that the tabs on the anti-rotating cap locate in the helmet.
- Fit screws through retainer, anti-rotating cap and visor secure with nuts.

Visor Overlay

- Peel away visor protector and ensure visor surface is clean.
- Peel the backing paper from adhesive strips on replacement visor protector. Position centrally onto visor surface, press down adhesive strips and remove protective paper.

Fan-Motor Unit 

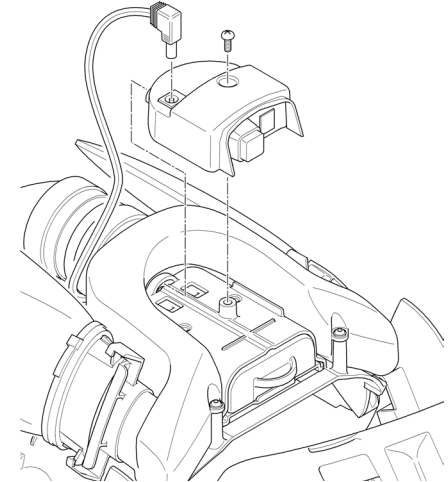
Lift the cover. Replace fan/motor assembly as shown below:



- Disconnect fan/motor electrical lead from the electronics unit.
- Remove the two screws securing the front air duct. Lift the air duct from locating lip and pull fan/motor from rear air duct. Separate fan/motor from front air duct.
- Fold back both seals on replacement fan/motor assembly. With electrical lead point downwards locate with front air duct and secure by unfolding seal over duct.
- Connect electrical lead to electronics unit.
- Locate front air duct in lip and fan/motor with rear air duct, tuck excess cable under fan/motor unit and unfold seal to secure. Secure air duct with screws.
- Ensure both seals are fully engaged with ducts and are fully unfolded, failure to do so may compromise the units performance.

Electronics Unit / Switch Housing 

Lift the cover and replace the electronics unit as shown below.



ENVIRONMENTAL PROTECTION 

Recycle raw materials instead of disposing as waste.

Accessories and packaging should be sorted for environmentally-friendly recycling.



Separate collection. This product must not be disposed of with normal household waste.

Rechargeable Batteries and the Environment



This unit uses Nickel-Metal Hydride (Ni-MH) batteries. When the battery pack needs replacing, we recommend the following:-

Discharge the energy from the batteries by running the batteries down completely, and then remove them from the AIR/PRO.

Ni-MH cells are recyclable.

DO NOT THROW THEM AWAY WITH YOUR HOUSEHOLD WASTE.

They may end up in an incinerator or landfill, which must be avoided.

Instead, take the batteries to a Trend Service Agent, your local distributor or a local recycling station. If necessary, contact your local municipality for disposal information. The collected batteries will be disposed of properly and/or used for recycling purposes.

Please use only Trend original spare parts.

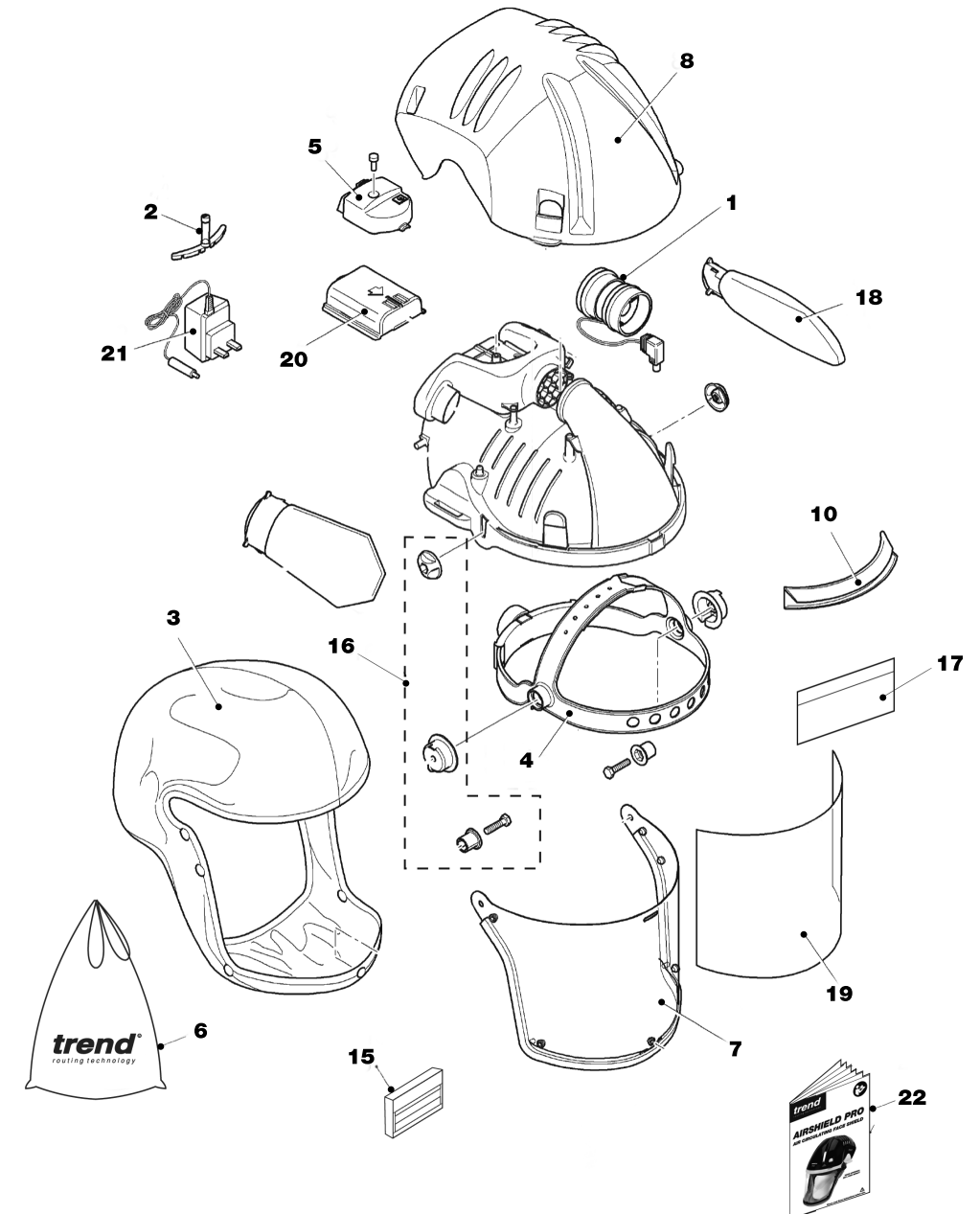
GUARANTEE

The unit carries a manufacturer's guarantee in accordance with the conditions on the enclosed guarantee registration card.

AIR/PRO USA - SPARE PARTS LIST			V4.0 11/2021
No.	Quantity	Description	Reference
1	1	Fan/Motor	WP-AIR/P/01
2	1	Airflow Indicator	WP-AIR/P/02
3	1	Head Cover & Face Seal	WP-AIR/P/03
4	1	Switch & Contact Assembly	WP-AIR/P/04
5	1	Head Band	WP-AIR/P/05
6	1	Switch & Contact Assembly	WP-AIR/P/06
7	1	Carry Bag	WP-AIR/P/07
8	1	Cover	WP-AIR/P/08
9	-	-	-
10	1	Headband Comfort Pad	WP-AIR/P/10
11	2	Pivot Pin Body	WP-AIR/P/11
12	2	Pivot Pin Bolt	WP-AIR/P/12
13	1	Anti-Rotating Caps (Pair)	WP-AIR/P/13
14	2	Knob	WP-AIR/P/14
15	1	Ear Defender Clip (Pair)	WP-AIR/P/15
16	1	Head Band Fixing Kit (Pair)	WP-AIR/P/16
17	1	Head Band Top Frame Comfort Pad	WP-AIR/P/17
18	1	THP2 Filter Pack (Pair)	AIR/P/1
19	10	Visor Overlay - Clear (Pack of 10)	AIR/P/3C
20	1	8 Hour Battery	AIR/P/4
21	1	Charger 120V USA	AIR/5L/USA
22	1	Manual USA	MANU/AIR/PRO/U

AIR/PRO USA - SPARE PARTS DIAGRAM

V4.0 11/2021





Trend Routing Technology Inc.
Toll Free: 1 877 918-7363
technical@trend-usa.com
www.trend-usa.com

© Trend Tool Technology Ltd. 2021.
® All trademarks acknowledged E&OE



RECYCLABLE

No part of this publication may be reproduced, stored or transmitted in any form without prior permission. Our policy of continuous improvement means that specifications may change without notice. Trend Tool Technology Ltd. cannot be held liable for any material rendered unusable, or for any for of consequential loss. E&OE.



MANU/AIR/PRO/U v4.0