

COMBINATION ROUTER BASE

A quick change, multi-functional router base. Fits most routers with 5/16" (8mm), 25/64" (10mm) and 15/32" (12mm) diameter rods at 3-1/16" to 5-1/8" centers.

- Multi-functional quick fit base.
- Improved accuracy and greater stability.
- Superior finish.

Product Reference:
U*CRB

7 FUNCTIONS:



1 Offset Base

For better control when edge routing.

Router, cutter, clamp guide and jig accessories not included.



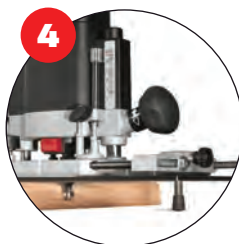
2 Router Compass

For routing circles of 3/4" (19mm) to 8-13/16" (224mm) radius.



3 Clamp Guide Adjustable Grooving

With 1-1/2" (40mm) micro adjustment.



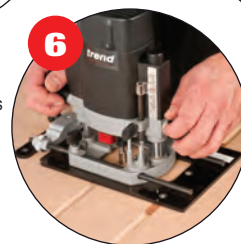
4 Anti-tilt Support

For stable edge work. Height range 5/16" (8mm) to 3-1/8" (80mm).



5 Offset Mortising

For timber thickness 2" (50mm) to 7-7/8" (200mm).



6 False Panel Groove Copier

For creating repeated grooves.



7 Varijig Frame System

Anti-tilt facility for panel cutting when used with the Varijig with accessory guide bush Ref. U*GB40/B.

4 more Functions with Accessories:

NEW

SIDE-FENCE

Made from 19/32" thick clear acrylic. Screws onto Combination Router Base. 10-5/8" long with facility to accept false fence.

Product Reference:
U*CRB/SF



CRANKED RODS

Pair of 9/32" diameter rods to allow more precise levelling of bridge when using different routers. Allows for greater range of rod centre routers of 2-3/8" to 6-27/32".

Product Reference:
U*CRB/CR



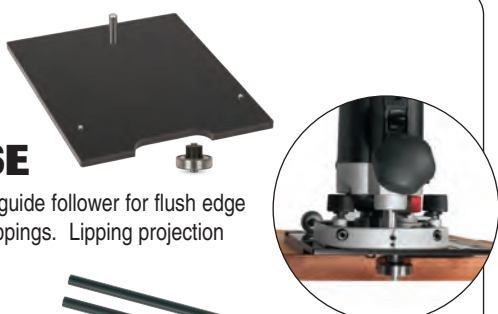
NEW

NEW

TRIM BASE

Trim Base with bearing guide follower for flush edge trimming of hardwood lippings. Lipping projection maximum 1/4".

Product Reference:
U*CRB/TB

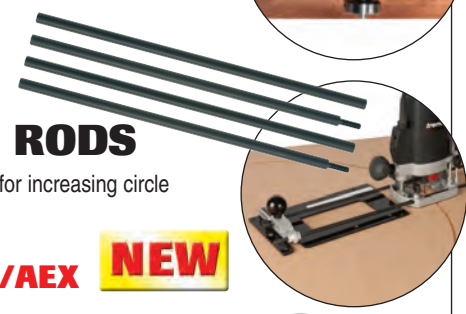


EXTENSION RODS

Two pairs of threaded rods for increasing circle radius by 22".

Product Reference:
U*N/COMPASS/AEX

NEW



Guide Bush

1-37/64" (40mm) with extra long 35/64" (14mm) spigot.

Product Reference:
U*GB40/B

