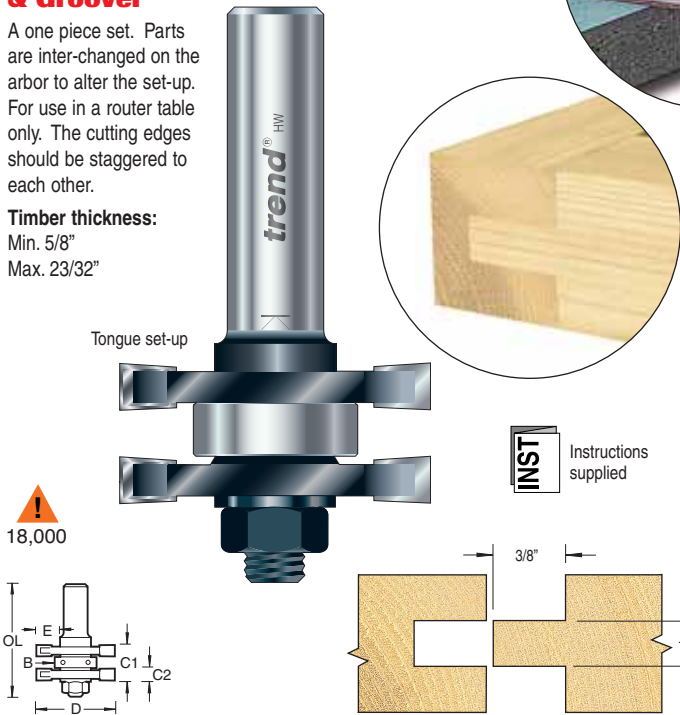


SLOTTING & GROOVING

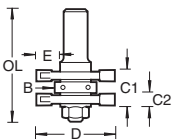
Guided Tongue & Groover

A one piece set. Parts are inter-changed on the arbor to alter the set-up. For use in a router table only. The cutting edges should be staggered to each other.

Timber thickness:
Min. 5/8"
Max. 23/32"



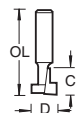
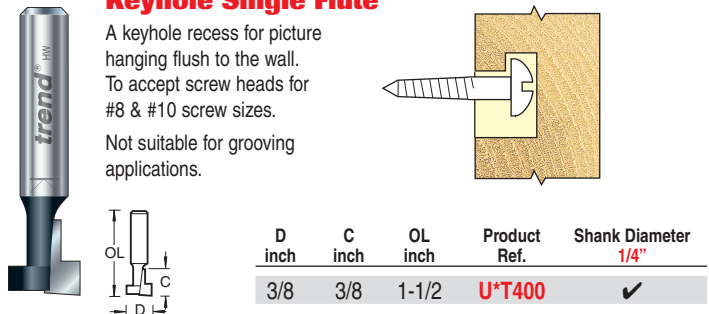
18,000



D inch	C1 inch	C2 inch	E inch	B inch	OL inch	Product Ref.	Shank Dia.
1-5/8	3/4	1/4	3/8	7/8	2-7/8	U*T380	1/2" ✓

Keyhole Single Flute

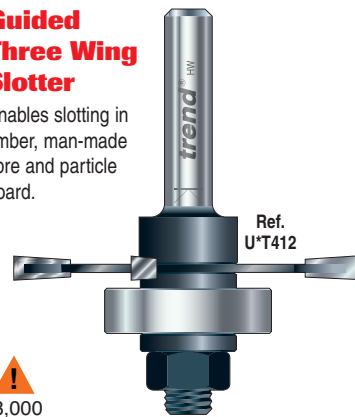
A keyhole recess for picture hanging flush to the wall. To accept screw heads for #8 & #10 screw sizes. Not suitable for grooving applications.



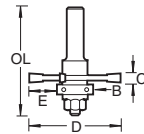
D inch	C inch	OL inch	Product Ref.	Shank Diameter
3/8	3/8	1-1/2	U*T400	1/4" ✓

Guided Three Wing Slotter

Enables slotting in timber, man-made fibre and particle board.



18,000

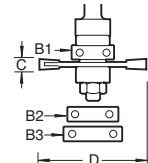
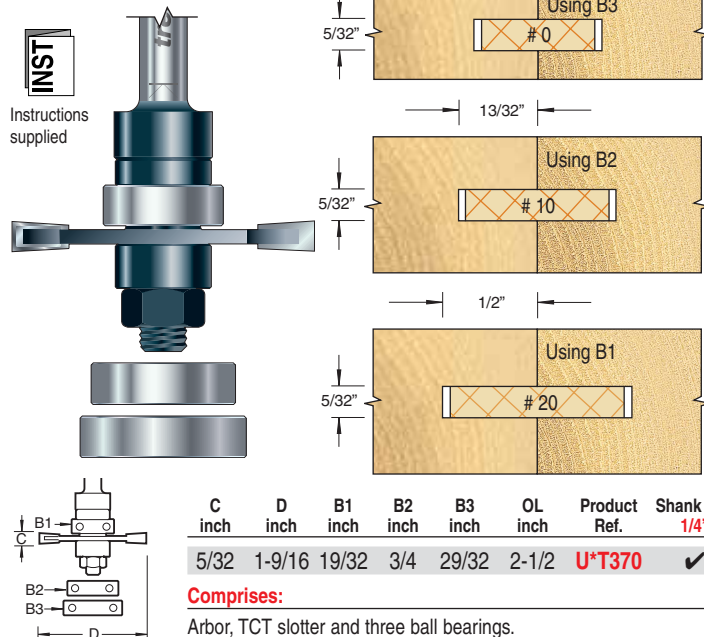


C inch	D inch	E inch	B inch	OL inch	Product Ref.	Shank Dia.
1/16	1-7/8	1/2	7/8	2-5/8	U*T410	1/4" ✓
1/8	1-7/8	1/2	7/8	2-5/8	U*T412	1/4" ✓
1/4	1-7/8	1/2	7/8	2-5/8	U*T414	1/4" ✓



Guided Biscuit Jointer

For biscuit jointing of timber, man-made fibre and particle board with the router. The set includes three sizes of bearing which set the correct depth of cut for the three sizes of biscuit available.



C inch	D inch	B1 inch	B2 inch	B3 inch	OL inch	Product Ref.	Shank Dia.
5/32	1-9/16	19/32	3/4	29/32	2-1/2	U*T370	1/4" ✓

Comprises:

Arbor, TCT slotter and three ball bearings.

30 Piece 1/4" shank ROUTER BIT SET

Set contains a range of bits including bearing guided tools for decorative woodworking.

- Tungsten Carbide tipped Chrome Molybdenum steel.
- Suitable for grooving, profiling and moulding.
- Use on softwoods, hardwoods, MDF and plywood.
- Lid flips back for easy access to bits.

Comprises:

- 6 x straight dia 3/16", 1/4", 3/8", 1/2", 5/8" & 3/4"
- 2 x dovetail dia 3/8" & 1/2"
- 3 x core box dia 1/4", 3/8" & 1/2"
- 1 x guided 60° bevel
- 1 x 85° bevel
- 1 x ogee radius 5/64"
- 1 x ovolo radius 5/32"
- 3 x 45° v groove dia 1/4", 3/8" & 1/2"
- 2 x guided trimmer 3/8" & 1/2"
- 1 x keyhole
- 1 x pierce & trim
- 3 x guided cove radius 1/8", 3/16" & 1/4"
- 1 x guided slotter 1/4"
- 1 x guided roman ogee R 5/32"
- 3 x guided round over radius 1/8", 3/16" & 1/4"



U*SET/SS30X1/4TC

! For stationary machines at recommended speeds as indicated.

www.trend-usa.com

trendTM
routing technology

PROFESSIONAL ROUTER BITS

CUTTER SET