

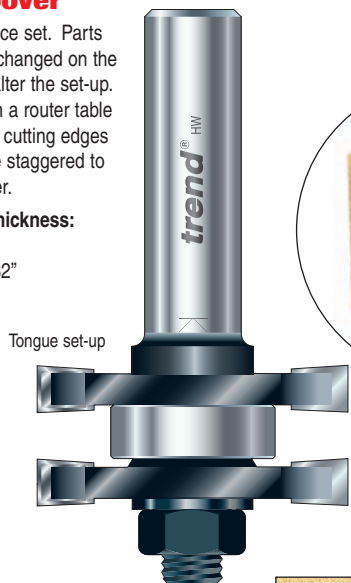
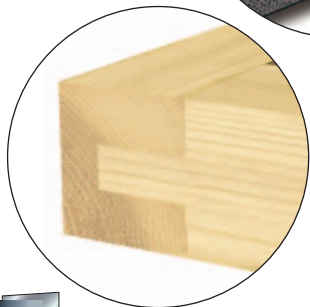
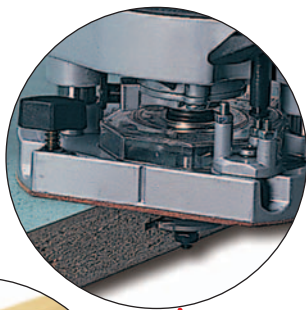
SLOTTING & GROOVING

Guided Tongue & Groover

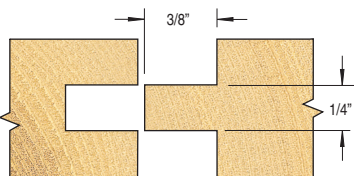
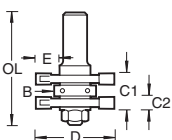
A one piece set. Parts are inter-changed on the arbor to alter the set-up. For use in a router table only. The cutting edges should be staggered to each other.

Timber thickness:

Min. 5/8"
Max. 23/32"



18,000

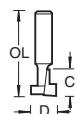
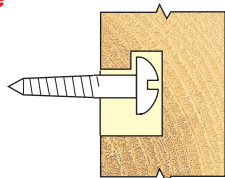


INST Instructions supplied

D inch	C1 inch	C2 inch	E inch	B inch	OL inch	Product Ref.	Shank Dia. 1/2"
1-5/8	3/4	1/4	3/8	7/8	2-7/8	U*T380	✓

Keyhole Single Flute

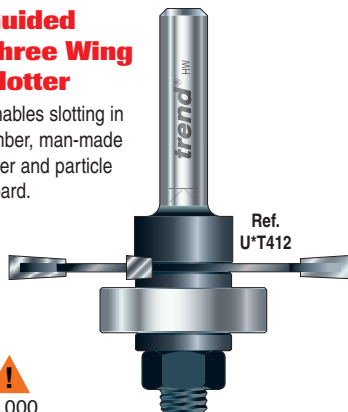
A keyhole recess for picture hanging flush to the wall. To accept screw heads for #8 & #10 screw sizes. Not suitable for grooving applications.



D inch	C inch	OL inch	Product Ref.	Shank Diameter 1/4"
3/8	3/8	1-1/2	U*T400	✓

Guided Three Wing Slotter

Enables slotting in timber, man-made fiber and particle board.

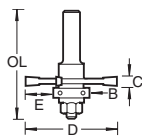


U*T410

U*T412

U*T414

18,000



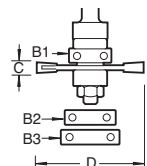
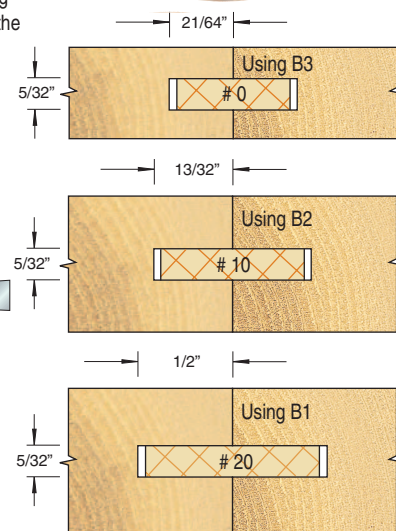
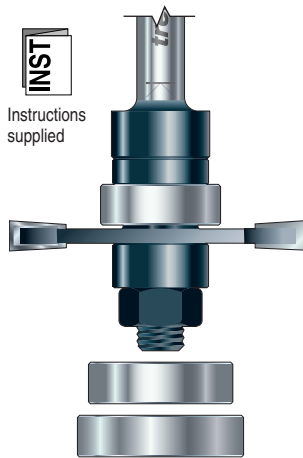
C inch	D inch	E inch	B inch	OL inch	Product Ref.	Shank Dia. 1/4"
1/16	1-7/8	1/2	7/8	2-5/8	U*T410	✓
1/8	1-7/8	1/2	7/8	2-5/8	U*T412	✓
1/4	1-7/8	1/2	7/8	2-5/8	U*T414	✓

Guided Biscuit Jointer

For biscuit jointing of timber, man-made fiber and particle board with the router. The set includes three sizes of bearing which set the correct depth of cut for the three sizes of biscuit available.



INST Instructions supplied



C inch	D inch	B1 inch	B2 inch	B3 inch	OL inch	Product Ref.	Shank Dia. 1/4"
5/32	1-9/16	19/32	3/4	29/32	2-1/2	U*T370	✓

Comprises:

Arbor, TCT slotter and three ball bearings.

ROUTER BIT SETS



NEW

12 Piece 1/4" Set

Tungsten Carbide tipped bits popular for general routing projects. Supplied in a plastic carry case.

U*SET/SS8X1/4TC



30 Piece 1/4" Set

Tungsten Carbide tipped chrome molybdenum, suitable for grooving, profiling and moulding. Use on softwoods, hardwoods, MDF and plywood. Lid flips back for easy access to bits.

U*SET/SS30X1/4TC

! For stationary routers at recommended speeds as indicated.

www.trend-usa.com

trend
routing technology

PROFESSIONAL ROUTER BITS

CUTTER SETS