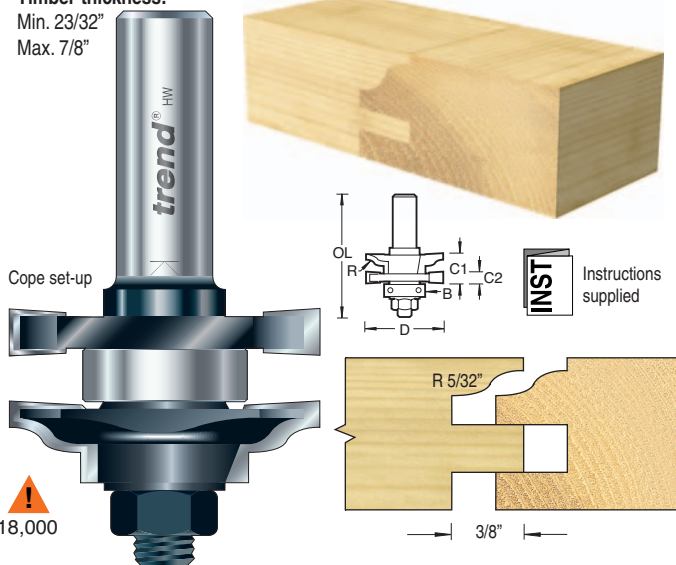


COPED RAIL & STILE

Guided Reversible Ogee Stile & Rail

Classic method of producing cabinet panelled door and drawer fronts. Two flute with ball bearing guide. The parts are re-arranged on the arbor to cut the profile on the stile or the cope on the rail. For use in a router table only. A workholding device (such as the Trend Coping Sled pushblock on page 31) should be used when cutting the cope on the rail ends. The cutting edges should be staggered to each other.

Timber thickness:
Min. 23/32"
Max. 7/8"

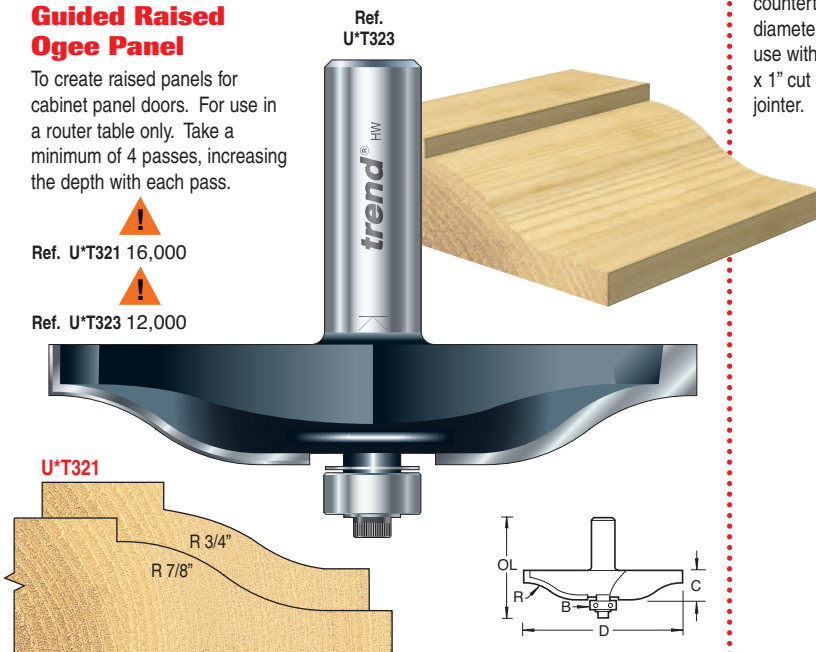


R inch	D inch	C1 inch	C2 inch	B inch	OL inch	Product Ref.	Shank Diameter
5/32	1-5/8	7/8	1/4	7/8	2-7/8	U*T300	1/2"

Guided Raised Ogee Panel

To create raised panels for cabinet panel doors. For use in a router table only. Take a minimum of 4 passes, increasing the depth with each pass.

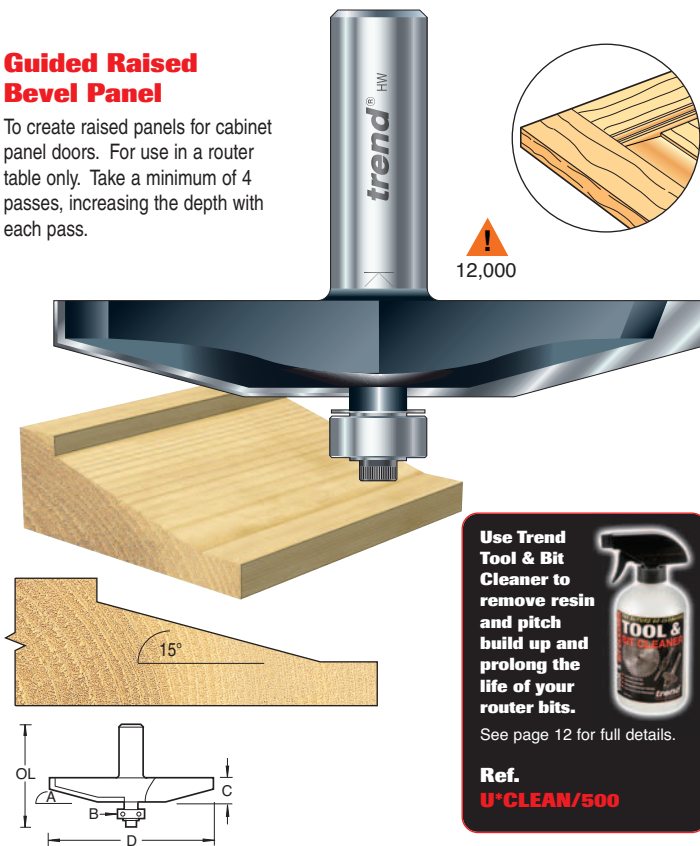
Ref. U*T321 16,000
Ref. U*T323 12,000



R inch	D inch	C inch	B inch	OL inch	Product Ref.	Shank Diameter
3/4	2-5/8	5/8	1/2	2-1/2	U*T321	1/2"
7/8	3-3/8	9/16	1/2	2-1/2	U*T323	1/2"

Guided Raised Bevel Panel

To create raised panels for cabinet panel doors. For use in a router table only. Take a minimum of 4 passes, increasing the depth with each pass.



A deg.	D inch	C inch	B inch	OL inch	Product Ref.	Shank Diameter
15°	3-3/8	1/2	1/2	2-15/32	U*T332	1/2"

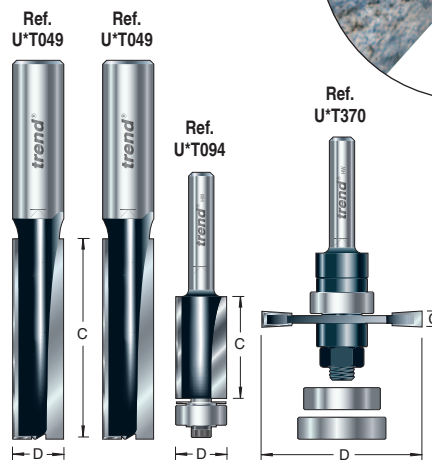
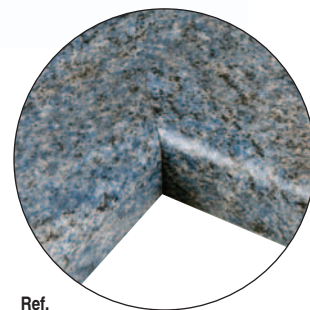
Use Trend Tool & Bit Cleaner to remove resin and pitch build up and prolong the life of your router bits.

See page 12 for full details.

Ref. U*CLEAN/500

KITCHEN FITTERS PACK

Pack of four bits aimed at kitchen countertop installers. Includes two 1/2" diameter x 2" cut length straight bits for use with countertop jigs, a 1/2" diameter x 1" cut laminate trimmer and a biscuit jointer.



Product Ref.		D inch	C inch	Shank Dia. inch	Product Ref.
4 piece		U*T/KFP/2A			
Comprises:					
2 x worktop bits		1/2	2	1/2	U*T049
1 x guided laminate trimmer		1/2	1	1/4	U*T094
1 x biscuit jointer		1-9/16	5/32	1/4	U*T370