



T12/T14

EN Original Instructions	P.8
DE Übersetzung Der Originalanleitung	P.21
FR Traduction Des Instructions Originales	P.35
NL Vertaling Van De Originele Instructies	P.49
SE Översättning Av De Ursprungliga Instruktionerna	P.63



Fig. A

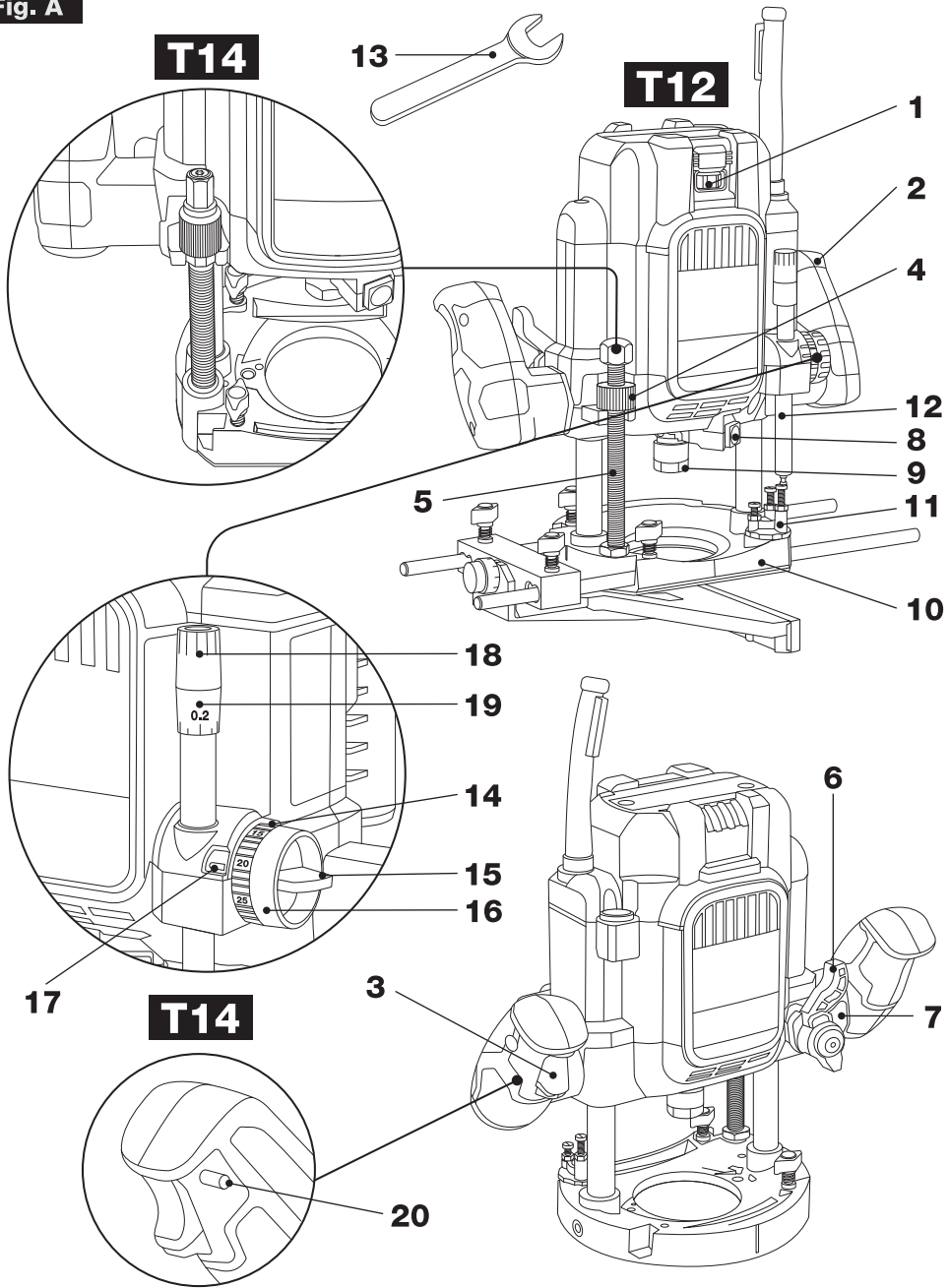


Fig. B1

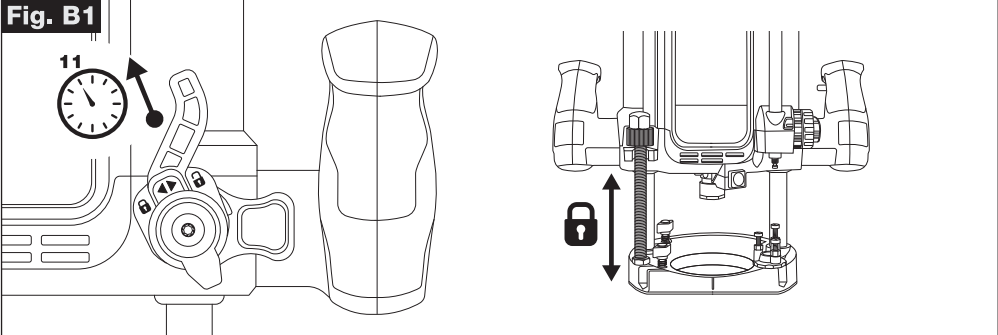


Fig. B2

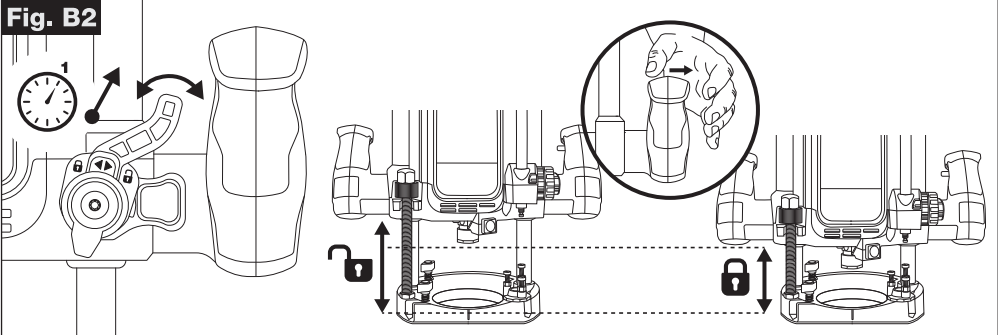


Fig. B3

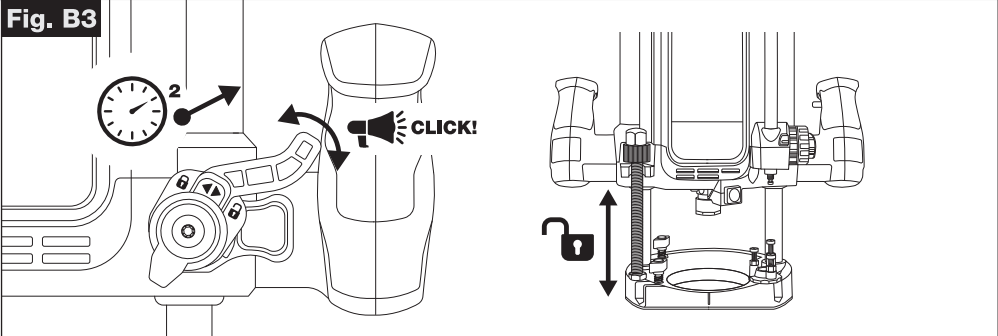
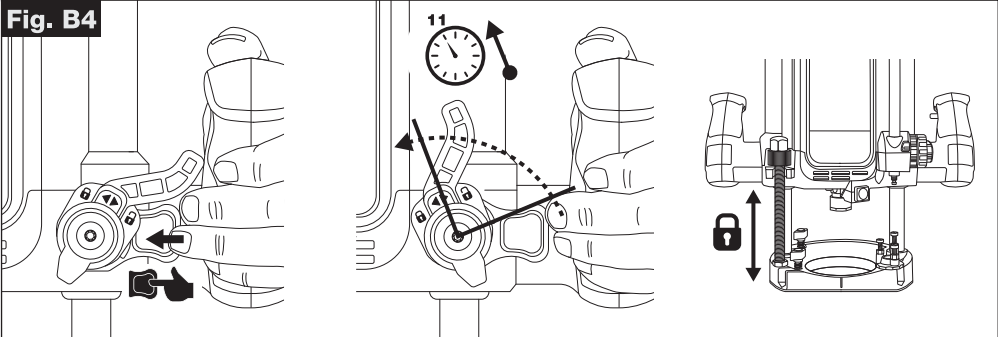
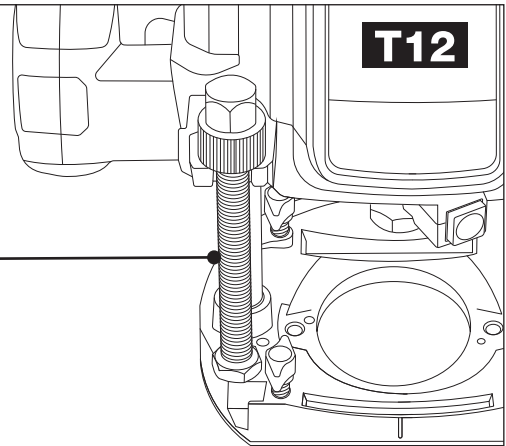
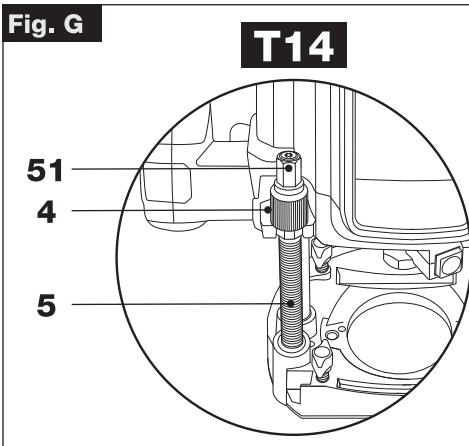
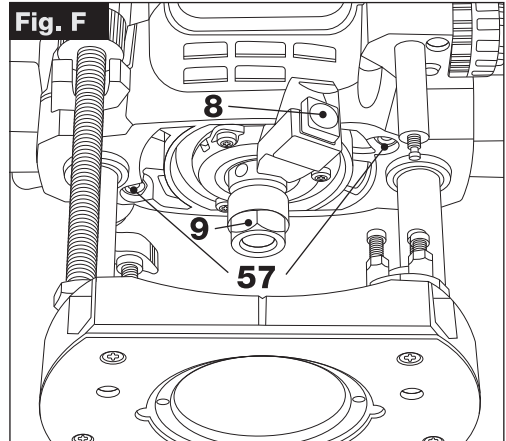
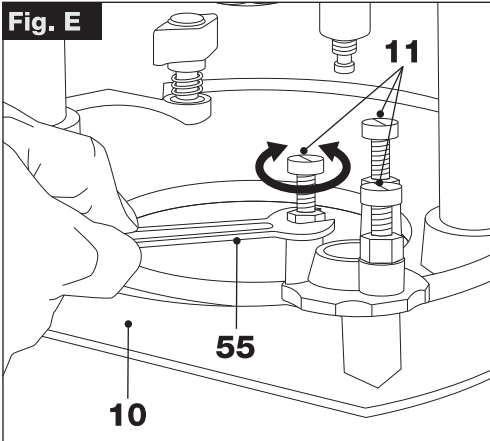
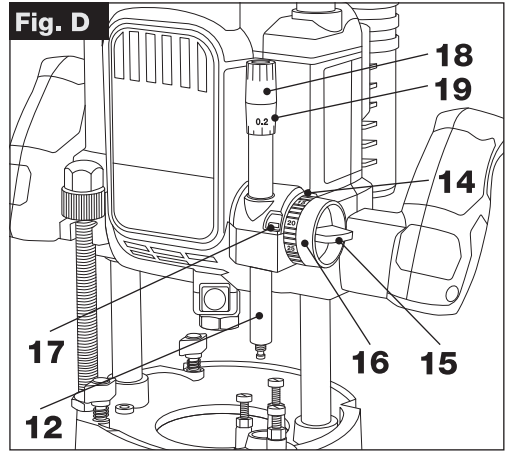
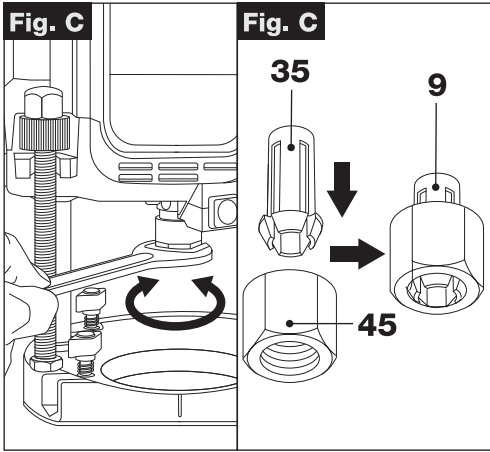


Fig. B4





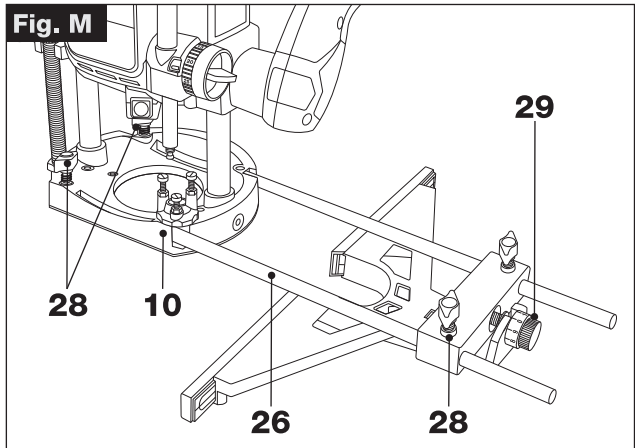
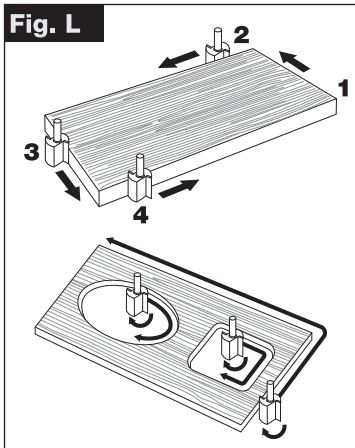
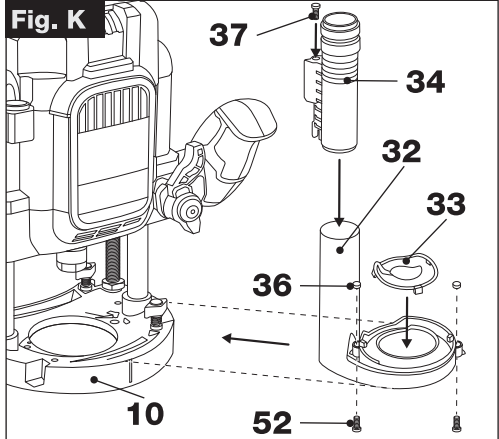
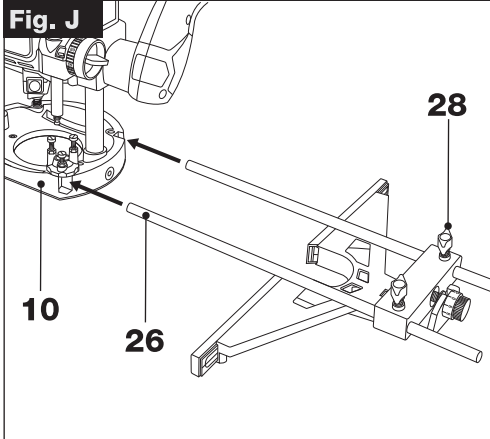
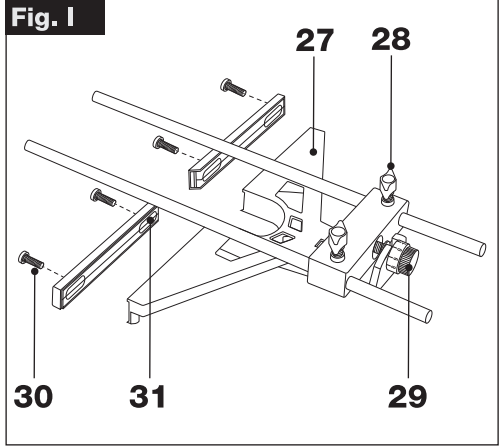
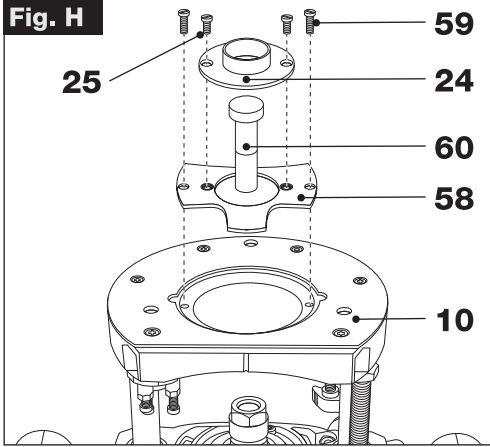


Fig. N

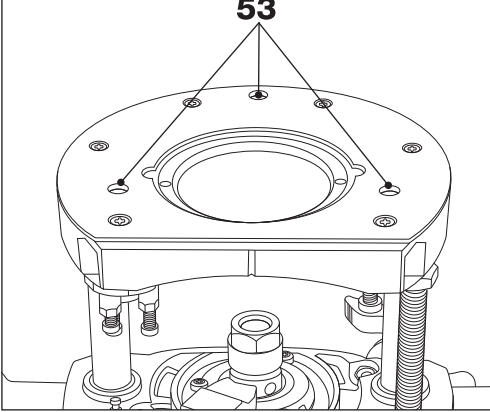


Fig. O

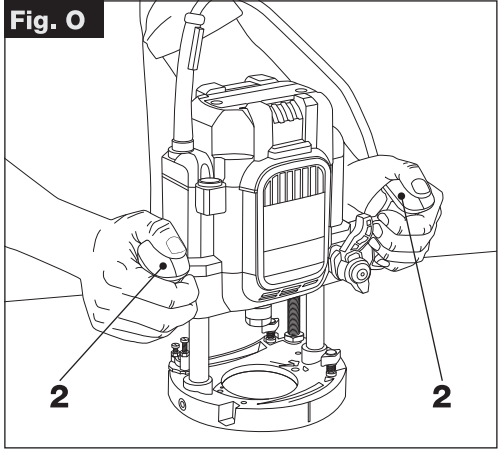


Fig. P

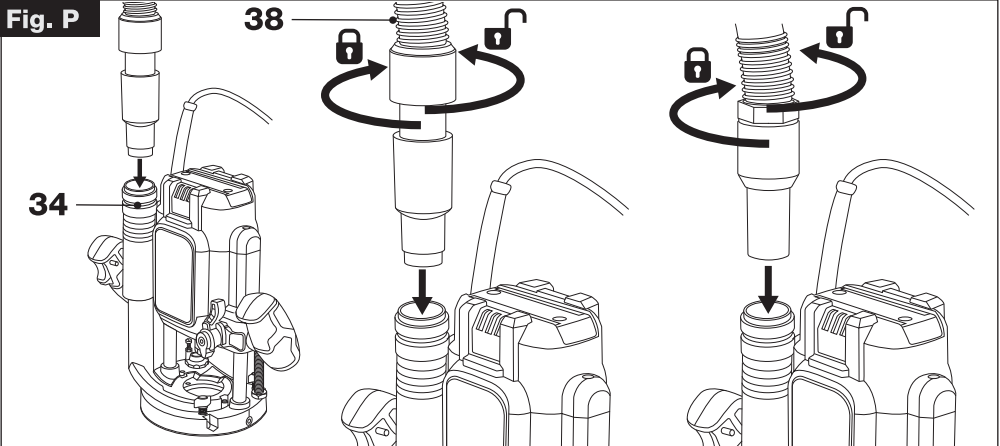


Fig. Q

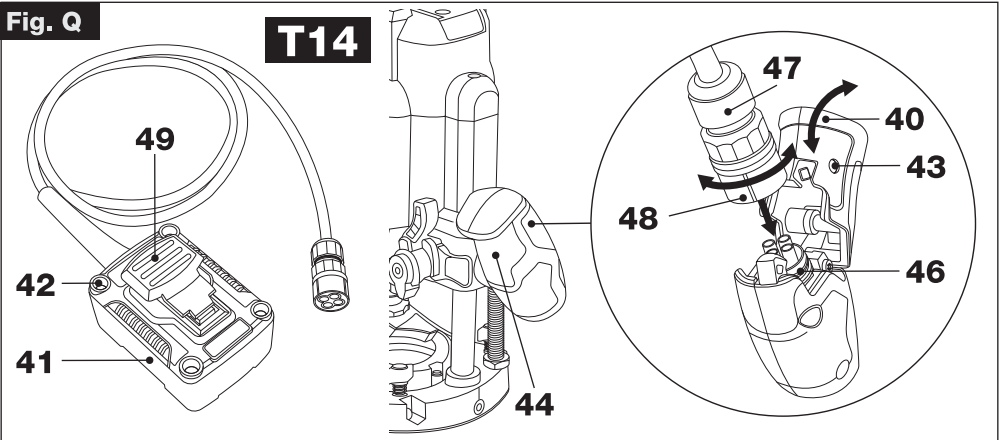


Fig. R

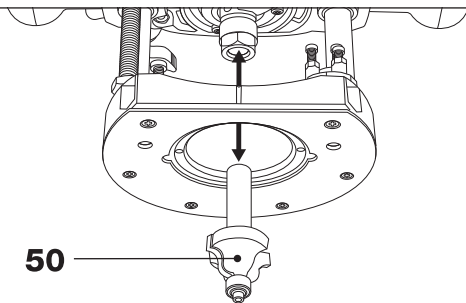


Fig. S1

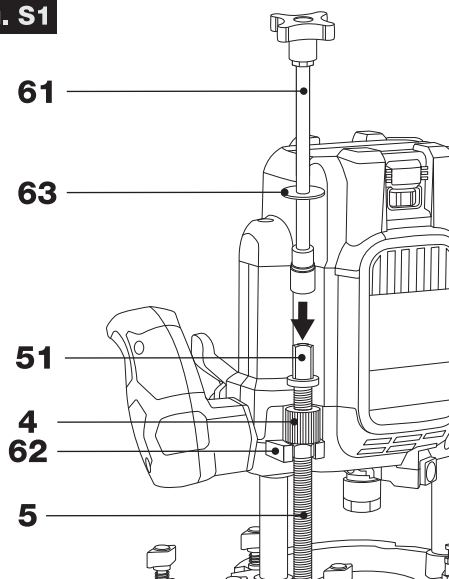


Fig. S2

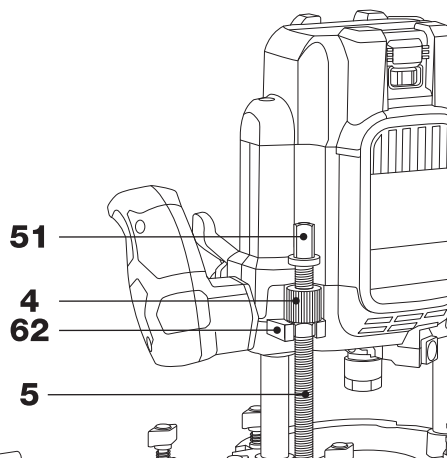
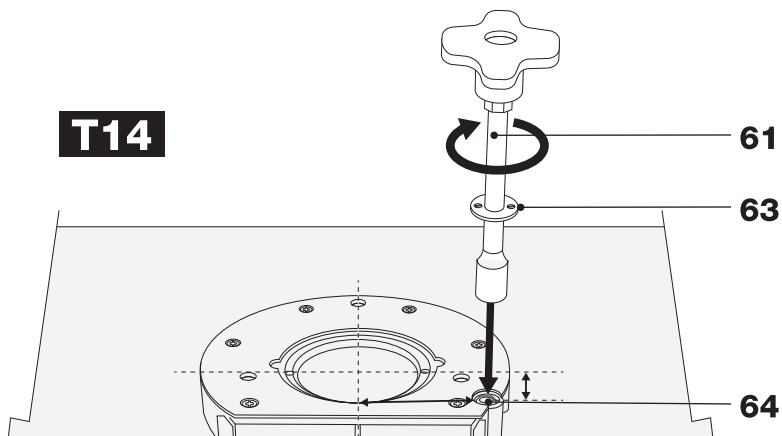


Fig. S3

T14



EN - T12 & T14

Thank you for purchasing this Trend product, we hope you enjoy many years of creative and productive use.

Please remember to return your guarantee card within 28 days of purchase.

TECHNICAL DATA

		T12EL	T12E	T14E
Voltage	V AC	115	230	230
Type		1	1	1
Power input	W	2100	2300	2300
No load speed	min 1	9000 22000	9000 22000	9000 22000
Router carriage	mm	2 column	2 column	2 column
Max cutter diameter (Portable Router)	mm	50	50	50
Max cutter diameter in table	mm	50	50	86
Collet size for Europe	mm	-	12	12
Collet size for UK and ROI	inch	1/2	1/2	1/2
Weight	kg	6.4	6.4	6.5
Noise values and vibration values (triax vector sum) according to EN62841 2 17:				
L _{PA} (emission sound pressure level)	dB(A)	94.2	95.1	95.1
L _{WA} (sound power level)	dB(A)	105.2	106.1	106.1
K (uncertainty for the given sound level)	dB(A)	2.5	2.5	2.5
Vibration emission value a _{h,v} =	m/s ²	4.1	3.1	3.1
Uncertainty K =	m/s ²	0.31	0.31	0.31

The vibration and/or noise emission level given in this information sheet has been measured in accordance with a standardised test given in EN62841 and may be used to compare one tool with another. It may be used for a preliminary assessment of exposure.



WARNING: The declared vibration and/or noise emission level represents the main applications of the tool. However if the tool is used for different applications, with different accessories or poorly maintained, the vibration and/or noise emission may differ. This may significantly increase the exposure level over the total working period.

An estimation of the level of exposure to vibration and/or noise should also take into account the times when the

tool is switched off or when it is running but not actually doing the job. This may significantly reduce the exposure level over the total working period.

Identify additional safety measures to protect the operator from the effects of vibration and/or noise such as: maintain the tool and the accessories, keep the hands warm (relevant for vibration), organisation of work patterns.

EC DECLARATION OF CONFORMITY MACHINERY DIRECTIVE



T12E & T14E

Plunge Router

Trend Tool Technology Ltd declares that these products described under Technical Data are in compliance with:

2006/42/EC, EN 62841-1:2015 + AC:2015; EN 62841-2-17:2017.

These products also comply with Directive 2014/30/EU and 2011/65/EU. For more information, please contact Trend Tool Technology Ltd at the following address or refer to the back of the manual.

The undersigned is responsible for compilation of the technical file and makes this declaration on behalf of Trend Tool Technology Ltd

Neil McMillan
Technical Director

Trend Tool Technology Ltd
Unit 6 Odhams Trading Estate
St Albans Road, Watford
Herts, WD24 7TR
United Kingdom

Technical File Contact
Trend Tool Technology Ltd
3rd Floor, Kilmore House,
Park Lane, Spencer Dock,
Dublin 1, Ireland

01/11/21

UK UK DECLARATION OF CA CONFORMITY

THE SUPPLY OF MACHINERY (SAFETY) REGULATIONS 2008

T12E & T14E Plunge Router

Trend Tool Technology Ltd declares that these products described under "technical data" are in compliance with:

The Supply of Machinery (Safety) Regulations, 2008, S.I. 2008/1597 (as amended), BS EN 62841-1:2015 + AC:2015; BS EN 62841- 2-17:2017.

These products conform to the following UK Regulations
Electromagnetic Compatibility Regulations, 2016,
S.I.2016/1091 (as amended),

The Restriction of the Use of Certain Hazardous
Substances in Electrical and Electronic Equipment
Regulations 2012, S.I. 2012/3032 (as amended),

For more information, please contact Trend Tool
Technology Ltd at the following address or refer to the
back of the manual.

The undersigned is responsible for compilation of the
technical file and makes this declaration on behalf of
Trend Tool Technology Ltd .



Neil McMillan
Technical Director

Trend Tool Technology Ltd
Unit 6 Odhams Trading Estate
St Albans Road, Watford
Herts, WD24 7TR
United Kingdom

01/11/21



WARNING: To reduce the risk of injury, read
the instruction manual.

Definitions: Safety Guidelines

The definitions below describe the level of severity
for each signal word. Please read the manual and pay
attention to these symbols.



DANGER: Indicates an imminently hazardous
situation which, if not avoided, **will** result in **death or
serious injury**.



WARNING: Indicates a potentially hazardous
situation which, if not avoided, **could** result in **death or
serious injury**.



CAUTION: Indicates a potentially hazardous
situation which, if not avoided, **may** result in **minor or
moderate injury**.



NOTICE: Indicates a practice **not related
to personal injury** which, if not avoided, **may** result in
property damage.



Denotes risk of electric shock.



Denotes risk of fire.



GENERAL POWER TOOL SAFETY WARNINGS



WARNING: Read all safety warnings,
instructions, illustrations and specifications
provided with this power tool. Failure to follow all
instructions listed below may result in electric shock, fire
and/or serious injury.

SAVE ALL WARNINGS AND INSTRUCTIONS FOR FUTURE REFERENCE

The term “power tool” in the warnings refers to your
mains- operated (corded) power tool or battery-operated
(cordless) power tool.

1) Work Area Safety

a) Keep work area clean and well lit. Cluttered or
dark areas invite accidents.

**b) Do not operate power tools in explosive
atmospheres, such as in the presence of
flammable liquids, gases or dust.** Power tools create
sparks which may ignite the dust or fumes.

**c) Keep children and bystanders away while
operating a power tool.** Distractions can cause you to
lose control.

2) Electrical Safety

**a) Power tool plugs must match the outlet. Never
modify the plug in any way. Do not use any
adapter plugs with earthed (grounded) power
tools.** Unmodified plugs and matching outlets will
reduce risk of electric shock.

**b) Avoid body contact with earthed or grounded
surfaces such as pipes, radiators, ranges and
refrigerators.** There is an increased risk of electric
shock if your body is earthed or grounded.

**c) Do not expose power tools to rain or wet
conditions.** Water entering a power tool will increase
the risk of electric shock.

**d) Do not abuse the cord. Never use the cord for
carrying, pulling or unplugging the power tool.
Keep cord away from heat, oil, sharp edges or
moving parts.** Damaged or entangled cords increase
the risk of electric shock.

**e) When operating a power tool outdoors, use an
extension cord suitable for outdoor use.** Use of a
cord suitable for outdoor use reduces the risk of electric
shock.

f) If operating a power tool in a damp location is unavoidable, use a residual current device (RCD) protected supply. Use of an RCD reduces the risk of electric shock.

3) Personal Safety

a) Stay alert, watch what you are doing and use common sense when operating a power tool. Do not use a power tool while you are tired or under the influence of drugs, alcohol or medication. A moment of inattention while operating power tools may result in serious personal injury.

b) Use personal protective equipment. Always wear eye protection. Protective equipment such as dust mask, non-skid safety shoes, hard hat or hearing protection used for appropriate conditions will reduce personal injuries.

c) Prevent unintentional starting. Ensure the switch is in the off-position before connecting to power source and/or battery pack, picking up or carrying the tool. Carrying power tools with your finger on the switch or energising power tools that have the switch on invites accidents.

d) Remove any adjusting key or wrench before turning the power tool on. A wrench or a key left attached to a rotating part of the power tool may result in personal injury.

e) Do not overreach. Keep proper footing and balance at all times. This enables better control of the power tool in unexpected situations.

f) Dress properly. Do not wear loose clothing or jewellery. Keep your hair and clothing away from moving parts. Loose clothes, jewellery or long hair can be caught in moving parts.

g) If devices are provided for the connection of dust extraction and collection facilities, ensure these are connected and properly used. Use of dust collection can reduce dust-related hazards.

h) Do not let familiarity gained from frequent use of tools allow you to become complacent and ignore tool safety principles. A careless action can cause severe injury within a fraction of a second.

4) Power Tool Use and Care

a) Do not force the power tool. Use the correct power tool for your application. The correct power tool will do the job better and safer at the rate for which it was designed.

b) Do not use the power tool if the switch does not turn it on and off. Any power tool that cannot be controlled with the switch is dangerous and must be repaired.

c) Disconnect the plug from the power source and/or the battery pack, if detachable, from the power tool before making any adjustments, changing

accessories, or storing power tools. Such preventive safety measures reduce the risk of starting the power tool accidentally.

d) Store idle power tools out of the reach of children and do not allow persons unfamiliar with the power tool or these instructions to operate the power tool. Power tools are dangerous in the hands of untrained users.

e) Maintain power tools and accessories. Check for misalignment or binding of moving parts, breakage of parts and any other condition that may affect the power tool's operation. If damaged, have the power tool repaired before use. Many accidents are caused by poorly maintained power tools.

f) Keep cutting tools sharp and clean. Properly maintained cutting tools with sharp cutting edges are less likely to bind and are easier to control.

g) Use the power tool, accessories and tool bits, etc. in accordance with these instructions, taking into account the working conditions and the work to be performed. Use of the power tool for operations different from those intended could result in a hazardous situation.

h) Keep handles and grasping surfaces dry, clean and free from oil and grease. Slippery handles and grasping surfaces do not allow for safe handling and control of the tool in unexpected situations.

5) Service

a) Have your power tool serviced by a qualified repair person using only identical replacement parts. This will ensure that the safety of the power tool is maintained.

Safety Instructions for Routers

a) Hold the power tool by insulated gripping surfaces only, because the cutter may contact its own cord. Cutting a "live" wire may make exposed metal parts of the power tool "live" and could give the operator an electrical shock.

b) Use clamps or another practical way to secure and support the workpiece to a stable platform. Holding the work by your hand or against the body leaves it unstable and may lead to loss of control.

c) Keep handles dry, clean and free from oil and grease. This will enable better control of the tool.

d) Maintain a firm grip with both hands on the tool to resist starting torque. Maintain a firm grip on the tool at all times while operating.

e) Keep hands away from cutting area above and below the base. Never reach under the workpiece for any reason. Keep the router base firmly in contact with the workpiece when cutting.

f) Never touch the bit immediately after use. It may be extremely hot.

g) Be sure that the motor has stopped completely before you lay the router down. If the bit is still spinning when the tool is laid down, it could cause injury or damage.

h) Be sure that the router bit is clear of the workpiece before starting the motor. If the bit is in contact with the workpiece when the motor starts, it could make the router jump, causing damage or injury.


i) The permitted speed of the cutting bit must be at least equal to the maximum speed marked on the power tool. If cutting bits run faster than their rated speed, they may break and fly off.

j) Always follow the bit manufacturer's speed recommendations as some bit designs require specific speeds for safety or performance. If you are unsure of the proper speed or are experiencing any type of problem, contact the bit manufacturer.

k) Do not use cutters larger than 50 mm (2") unless the router is fitted in a router table.

Do not use cutters larger than 86 mm (3 3/8") in this tool.

RESIDUAL RISKS

 **WARNING: We recommend the use of a residual current device with a residual current rating of 30mA or less.**

In spite of the application of the relevant safety regulations and the implementation of safety devices, certain residual risks cannot be avoided. These are:

- Impairment of hearing.
- Risk of personal injury due to flying particles.
- Risk of burns due to accessories becoming hot during operation.
- Risk of personal injury due to prolonged use.

SAVE THESE INSTRUCTIONS

 **Electrical Safety**

The electric motor has been designed for one voltage only. Always check that the power supply corresponds to the voltage on the rating plate.



Your tool is double insulated in accordance with EN62841; therefore no earth wire is required.

115V machines are intended to be used with a safety transformer manufactured to BS EN 61558 and BS 4343. Never work without this transformer in place.

If the supply cord is damaged, it must be replaced only by Trend Tool Technology Ltd or an authorised service organisation.

Mains Plug Replacement (U.K. & Ireland Only)

If a new mains plug needs to be fitted:

- Safely dispose of the old plug.
- Connect the brown lead to the live terminal in the plug.
- Connect the blue lead to the neutral terminal.



WARNING: No connection is to be made to the earth terminal. Follow the fitting instructions supplied with good quality plugs. Recommended fuse for 230V U.K. plug: 13 A.

Fitting a Mains Plug to 115 V Units (U.K. and Ireland Only)

- The plug fitted should comply with BS EN 60309 (BS4343), 32 Amps.



WARNING: Always ensure that the cable clamp is correctly and securely fitted to the sheath of the cable.



Using an Extension Cable

An extension cord should not be used unless absolutely if an extension cable is required, use an approved 3-core extension cable suitable for the power input of this tool (see **Technical Data**). The minimum conductor size is 1,5 mm²; the maximum length is 30m.

When using a cable reel, always unwind the cable completely.

PACKAGE CONTENT

- 1 x Router
- 1 x Collet 1/2" UK & ROI (12mm EU)
- 1 x Parallel fence
- 2 x Guide rods
- 1 x Guide bush (30mm)
- 1 x 22 mm wrench
- 1 x SA Dust extraction tube
- 1 x Remote Switch Box (T14 only)
- 1 x Instruction manual
- 1 x Fine height adjuster (T14 only)

- Check for damage to the tool, parts or accessories which may have occurred during transport.
- Take the time to thoroughly read and understand this manual prior to operation.

MARKINGS ON TOOL

The following pictograms are shown on the tool:



Read instruction manual before use.



Wear ear protection.



Wear eye protection.



Visible radiation. Do not stare into light.

Date Code Position - (Fig. A)

The date code (56) , which also includes the year of manufacture, is printed into the housing.

Example:

2021 XX XX

Year and Week of Manufacture

Description - (Fig. A)



WARNING: Never modify the power tool or any part of it. Damage or personal injury could result.

1. Speed control wheel
2. Main handles
3. On/off trigger switch
4. Thumb wheel
5. Height stop rod
6. Plunge lock lever
7. Quick release button
8. Spindle lock button
9. Collet assembly
10. Base plate
11. Multiple position turret stop
12. Depth stop bar
13. 22 mm wrench
14. Quick zero reset ring
15. Quick height adjuster lock
16. Quick height adjuster
17. Pointer
18. Fine adjuster
19. Fine zero reset ring
20. Lock on button switch

Intended Use

The T12 and T14 routers have been designed for professional heavy duty routing of wood, wood based materials and plastics.

These routers are intended for routing grooves, edges, profiles and slots as well as copy routing.

DO NOT use under wet conditions or in the presence of flammable liquids or gases.

The T12 and T14 are professional power tools.

The T14 is designed so that it can be installed into a router table. The router may only be installed in tables that meet the legal safety requirements for router tables.

DO NOT let children come into contact with the tool. Supervision is required when inexperienced operators use this tool.

• **Young children and the infirm.** This appliance is not intended for use by young children or infirm persons without supervision.

• This product is not intended for use by persons (including children) suffering from diminished physical, sensory or mental abilities; lack of experience, knowledge or skills unless they are supervised by a person responsible for their safety. Children should never be left alone with this product.



CAUTION: Before operating any of the controls, read the following sections.

Auto-Lock Plunge Lever (Fig. B1-B4)

1. Lever (6) Position 0 (11 o'clock)

Plunge setting is Auto-locked and cannot move.

2. Lever (6) Position 1 (1 o'clock)

Auto-lock is temporarily disengaged whilst the lever is held in this position, and router can plunge. When the lever is released, the plunge position will be locked.

Perfect for fast repositioning and surface registration when used with a jig.

3. Lever (6) Position 2 (2 o'clock)

Turn lever until you hear a "click". Auto-lock is now turned off and the router is in "free plunge" mode allowing the user to fully control the plunge position.

Perfect for accurate repositioning and depth post setting.

4. Reset Paddle (7)

Re-engages auto-lock and returns the lever to position 0.

The plunge lever self-tightens, so vibration caused by heavy loads will not affect the accuracy of the depth setting.

Collets - (Fig. C)



WARNING: Projectile hazard. Only use bits with shanks that match the installed collet. Smaller shank bits will not be secure and could become loose during operation.



CAUTION: Never tighten the collet without first installing a router bit in it. Tightening an empty collet, even by hand, can damage the collet.

A collet is included with this router.

- 12 mm: Europe
- 1/2": UK & Eire

1. To change collets (35), unscrew the collet assembly (9)

- Sharply pull the old collet out of the collet nut (45) and insert the new collet (35).
- Push firmly so that the new collet snaps past the retainer spring in the collet nut.

Multiple Position Turret Stop - (Fig. E)



WARNING: Do not change the turret stop while the router is running. This will place your hands too near the cutter head.

The turret stop (11) limits the downward distance that the tool can be plunged. It consists of three screws of different lengths that serve to define the depth of cut by limiting the travel of the depth stop bar (12).

- Routing depth can be set by selecting the screw of the appropriate length on the turret.
- The turret is rotatable with detent stops to properly align the screws.
- It is the interaction of the depth stop bar and the turret stop that determine the routing depth.
- If none of the provided screws seems close to the desired height each can be adjusted by loosening the hex nut at the bottom and then turning the screw either in or out to make it the proper length. After adjusting this screw be sure to tighten the hex nut at the bottom with the an 8 mm wrench (55).
- Refer to section Setting the Routing Depth for instructions on how to use the turret stop in an actual operation.

Height Stop Rod and Height Stop Thumb Wheel - (Fig. G & Ga)

T12 Height Stop Rod and Height Stop Thumb Wheel (Fig. G)

The height stop rod (5) and thumb wheel (4) limit how high the unit can travel up the rails. The system is adjustable to limit the rise of the plunge regardless of the position of the plunge release lever to full up where the bottom of the collet is 80 mm (3 5/32") above the workpiece.

NOTE: It is easier to move the height stop thumb wheel UP if the plunge release lever is locked and easier to move the thumb wheel down if the unit is first moved down by releasing the plunge release lever and then tightening it.

ASSEMBLY AND ADJUSTMENTS



WARNING: To reduce the risk of serious personal injury, turn tool off and disconnect tool from power source before making any adjustments or removing/ installing attachments or accessories. An accidental start-up can cause injury.

Installing and Removing a Cutter - (Fig. C, F)



WARNING: Do not tighten the collet without a cutter fitted.



WARNING: Always use cutters with shanks which match the diameter of the collet.



WARNING: Do not use cutters larger than 50 mm (2") unless the router is fitted in a router table.



CAUTION: Care should be taken when removing cutter to avoid cuts to fingers.

Installing a Cutter

- Insert at least three fourths of the shank length of the cutter into the collet assembly (9).
- Press the spindle lock (8) forward until the router spindle is locked.

NOTE: You may need to turn the spindle slightly to engage it.

- Turn the collet nut (45) counter clockwise with the supplied 22 mm wrench (13) to tighten it.

Removing a Cutter

- Press the spindle lock button (8) forward until the router spindle is lock.
- Turn the collet nut (9) clockwise with the supplied 22 mm wrench (13) to loosen.
- Keep turning the wrench until the collet nut tightens and then loosens again. This is the fail safe mechanism releasing the collet.
- The cutter should now slide out.

NOTE: Each time you finish using a cutter, remove it and store it in a safe place.

Fine Height Adjuster - (Fig. A, D, E)



CAUTION: Ensure that the plunge locking lever is unlocked. Never use unnecessary force to rotate the fine height adjuster mechanism.



CAUTION: DO NOT remove the screw on hex nuts.

The fine height adjuster can be used in portable mode or when the router is held inside a table.

Adjusting the Depth of Cut - (Fig. A, D, E)

Your router is equipped with a high precision depth adjustment system including a zero reset ring for both the quick height adjuster and the fine height adjuster.

Quick adjustment Using the graduation with Zero Reset Ring

1. Loosen the depth stop quick height adjuster lock **(15)**.
2. Unlock the plunge limiter by pushing the release lever **(6)** down.
3. Lower the router carriage until the cutter is in contact with the workpiece.
4. Press the quick locking button **(7)**.
5. Set the quick height adjuster **(16)** to zero and reset the fine adjust reset ring **(19)** to zero. The depth stop bar **(12)** must be in contact with the turret stop **(11)**.
6. Adjust the depth of cut using the quick height adjuster **(16)** and the corresponding graduation. The adjusted depth of cut is indicated by the pointer **(17)**.
7. Tighten the quick height adjuster lock **(15)**.

Fine Adjustment

When not using a depth template, or if the depth of cut needs readjustment, it is recommended to use the fine height adjuster **(18)**.

1. Adjust the depth of cut as described in Adjusting the Depth of Cut.
2. Set the fine height adjuster to zero using the fine zero reset ring **(19)**.
3. Rotate the fine height adjuster **(18)** to the required position: one turn corresponds to approximately 1 mm and 1 mark to 0.1 mm.

Fitting Template Guide Bush and Inner Plate - (Fig. H)

The routers have a unique built-in line up system for the template guide bush. This system ensures that the guide bush is exactly concentric to the router cutter to ensure accurate work.

1. Turn the router upside down.
2. Fit inner plate **(58)** into the recess in the router base plate **(10)**. For T12 the bushes on the inner plate must be towards the router motor. For T14 the raised side of the inner plate must be away from router base. Loosely fit the two pan head machine screws **(59)** through the inner plate and into the tapped holes. **DO NOT TIGHTEN SCREWS.**
3. Fit the 30mm template guide bush **(24)** to the inner plate **(58)**. Fit guide bush with the two M5 countersink machine screws **(25)**. Tighten these screws.

4. The line-up pin **(60)** is stepped for 12mm and 1/2" collet **(9)** sizes. (For the 1/2" collet simply push the line-up pin further down into the 1/2" collet).

5. Fit line up pin **(60)** into the 1/2" collet **(9)** (or 12mm depending on the size fitted) in the router, lightly tighten collet nut to hold the line up pin **(60)**.

6. Release plunge lever and gently depress base until line up pin **(60)** projects through the 30mm guide bush **(24)**.

7. Once in line, tighten the pan head machine screws **(59)** with a flat screwdriver.

Fitting the Parallel Fence - (Fig. I, J)

1. Fit the guide rod **(26)** to the router base **(10)**.
2. Slide the parallel fence **(27)** over the rods.
3. Tighten the wing bolts **(28)** temporarily.

Adjusting the Parallel Fence - - (Fig. A, I, J)

1. Draw a cutting line on the material.
2. Lower the router carriage until the cutter is in contact with the workpiece.
3. Push quick release button **(7)** and limit the carriage return using the thumb wheel **(4)**.
4. Position the router on the cutting line.
5. Slide the parallel fence **(27)** against the workpiece and tighten the wing bolts **(28)**.
6. Adjust the parallel fence using the fine adjustment knob **(29)**. The outer cutting edge of the cutter must coincide with the cutting line.
7. If required, loosen the screws **(30)** and adjust the strips **(31)** to obtain the desired guiding length.

Dust Extraction - (Fig. A, K, P)

Dust from materials such as lead containing coatings and some wood types, can be harmful to one's health. Breathing in the dust can cause allergic reactions and/or lead to respiratory infections of the user or bystanders.

Certain dust, such as oak or beech dust, is considered carcinogenic, especially in connection with wood treatment additives.

Observe the relevant regulations in your country for the materials to be worked.

The vacuum cleaner must be suitable for the material being worked.

When vacuuming dry dust that is especially detrimental to health or carcinogenic, use dust class M vacuum cleaner.

Connecting Dust Extraction Adaptor - (Fig. K)

The dust extraction adaptor consists of a main section (32), a cover (33), an extraction tube adaptor (34), one extraction tube screw (37), two base screws (52) and two nuts (36).

1. Slide the cover (33) onto the main section (32) until it clicks into place.
2. Place the main section (32) on the base and secure with two screws (52) and nuts (36).
3. Remove screw (37) from the top of the router and use this screw to assemble the extraction tube adaptor (34) to the router.

Connecting Dust Extractor Hose - (Fig. P)



WARNING: Risk of dust inhalation. To reduce the risk of personal injury, **ALWAYS** wear an approved dust mask.



WARNING: ALWAYS use a vacuum extractor designed in compliance with the applicable directives regarding dust emission when sawing wood. Vacuum hoses of most common vacuum cleaners will fit directly into the dust extraction outlet.

Connect a dust extractor hose (38) to the extraction tube adaptor (34).

A dust extraction tube adaptor (34) is supplied with your tool. Vacuum hoses on most vacuum extractors will fit directly into the dust extraction spout.

NOTE: When using dust extraction, be sure that the dust extractor is out of the way and secure so that it will not tip over or interfere with the router or workpiece. The dust extractor hose and power cord must also be positioned so that they do not interfere with the router or workpiece. If the dust extractor or dust extractor hose cannot be positioned properly, it should be removed.

OPERATION



Instructions for Use



WARNING: Always observe the safety instructions and applicable regulations.



WARNING: To reduce the risk of serious personal injury, turn tool off and disconnect tool from power source before making any adjustments or removing/ installing attachments or accessories. An accidental start-up can cause injury.

Proper Hand Position - (Fig. O)



WARNING: To reduce the risk of serious personal injury,

ALWAYS use proper hand position as shown



WARNING: To reduce the risk of serious personal injury,

ALWAYS hold securely in anticipation of a sudden reaction.

Proper hand position requires both hands on the main handles (2).

Using the Router - (Fig. A, L)



CAUTION: Turn the router on before plunging the cutter head into the workpiece.



CAUTION:

- Excessive cutting may cause overload of the motor or difficulty in controlling the tool, the depth of cut should not be more than 15 mm (19/32") at a pass when cutting grooves with a 8 mm (5/16") diameter bit.
- When cutting grooves with a 20 mm (25/32") diameter bit, the depth of cut should not be more than 5 mm (3/16") at a pass.
- For extra deep grooving, make two or three passes with progressively deeper bit settings.



CAUTION: After long periods of working at low speeds, allow the machine to cool down by running it for three minutes at maximum speed, with no load.

All common routing tasks can be performed with the plunge cut router on all types of wood and plastic:

- Grooving
- Rebating
- Recessing
- Veining
- Profiling

To prevent overload of the tool by using the wrong speed selection, follow the recommended settings below:

MATERIAL	CUTTER DIAMETER		
	10 – 30 mm	30 – 50 mm	50 – 86* mm
SPEED SELECTION			
Hardwood	7 - 5	6 - 2	5 - 2
Softwood	7 - 6	7 - 5	5 - 2
Chipboard Faced	7 - 6	7 - 4	n / a
Plastic	7 - 5	7 - 4	n / a

* Do not use cutters larger than 50 mm (2") unless the router is fitted in a router table.

NOTE: Only carbide tipped cutters should be used on panels faced with plastic laminates. The hard laminates will quickly dull steel cutters.

NOTE: For better plunge sliding movement, frequently clean the columns of dust or debris. If the plunging movement is not moving as smooth as desired, lubricate the columns with a dry Teflon lubricant.

1. After setting the cutting depth as described, locate the router such that the bit is directly over the place you will be cutting.
2. With the router running, lower the unit smoothly down into the workpiece. **DO NOT JAM THE ROUTER DOWN.**
3. When the tool reaches the pre set depth, push the quick release button **(7)** to lock.
4. When you have finished routing, push the plunge lock lever **(6)** to unlock and let the spring lift the router directly out of the workpiece.
5. Always feed the router opposite to the direction in which the cutter is rotating. Refer to Fig. L.

On/Off Trigger Switch - (Fig. A)



WARNING: To reduce the risk of serious personal injury, turn unit off and disconnect it from power source before making any adjustments or removing/ installing attachments or accessories. An accidental start-up can cause injury.

1. To turn the unit on, squeeze the on/off trigger switch **(3)**. Continue to squeeze the trigger switch or press the lock on button switch **(20)** for continuous running.
2. To turn the unit off:
 - a. If lock on trigger is engage, release the lock on button by squeezing and releasing trigger.
 - b. If the lock on switch is not engaged, fully release the trigger.

Variable Speed Dial - (Fig. A)



WARNING: If the speed control ceases to operate, or is intermittent, stop using the tool immediately. Please contact Trend Tool Technology Ltd or authorized service facility for repair.

NOTICE: The router is equipped with electronics to monitor and maintain the speed of the tool while cutting. In low and medium speed operation, the speed control prevents the motor speed from decreasing. If you expect to hear a speed change and continue to load the motor, you could damage the motor by overheating. Reduce the depth of cut and/or slow the feed rate to prevent tool damage.

Refer to the Speed Selection Chart to choose a router speed. Turn the speed dial **(1)** to control router speed. The speed is variable from 9000 to 22000 rpm using the speed dial **(1)**.

1. Turn the speed dial to the required position. The dial is numbered from 1 –7 and corresponds to router speeds of 9000 rpm to 22000 rpm.
2. Use the slower settings for large diameter cutters and the faster settings for small diameter cutters.
3. The correct setting will also depend on the density of the material, depth of cut and feed speed of the router.

NOTE: A noticeable loss of motor rpm means motor overload

SPEED SELECTION CHART	
DIAL SETTING	APPROXIMATE RPM
1	9000
2	11000
3	13000
4	15000
5	18000
6	20000
7	22000

The speeds in this chart are approximate and are for reference only. Your router may not produce the exact speed listed for the dial setting.



WARNING: Always follow the bit manufacturer's speed recommendations as some bit designs require specific speeds for safety or performance.

If you are unsure of the proper speed or are experiencing any type of problem, contact the bit manufacturer.

LED Worklight - (Fig. F)



CAUTION: Do not stare into worklight.

Serious eye injury could result.

Two LED worklights (57) are located next to the collet assembly (9).

1. The worklights (57) will constantly illuminate when the router is connected to the mains power supply.
2. To switch off the worklights the router must be disconnected from mains power supply.

NOTE: The worklight is for lighting the immediate work surface and is not intended to be used as a flashlight.

Moulding Natural Timbers



WARNING: When routing always lock the plunge locking lever.

When edge moulding natural timbers, always mould the end grain first, followed by the long grain. This ensures that if there is breakout, it will be removed when the long grain is routed.

Setting the Routing Depth - (Fig. D, E)

1. Place the router with cutter fitted on to the workpiece.
2. Set the multiple position turret stop (11) as required.
3. Loosen the knob quick adjustment (15) securing the depth stop (12).
4. Push down the plunging lock lever (6) to start plunging.
5. Lower the router slowly until the cutter touches the workpiece and secure it in place by pushing quick release button (7).
6. Rotate the quick height adjuster (16) until the depth stop bar (12) touches multiple turret stop (13). Secure in position by tightening the quick height adjuster lock (15).
7. If the depth of cut needs re adjustment, it is recommended to use quick depth adjuster (16) for gross settings, or the fine height adjuster for accurate settings.
8. Adjust the depth of cut using the fine height adjuster (18)

NOTE: : One turn of the fine height adjuster (18) corresponds to 1 mm (3/64"), one turn of the quick height adjuster (15) corresponds to 40 mm (1 1/2")

9. Read the depth of cut using the quick zero reset ring (14) and fine zero reset ring (19).
10. The distance between the top of the revolving depth stop and the bottom of the depth stop is the required depth of cut.

11. The rotating turret stop screws (11) can be used for setting up to three depths of cut. The height can be adjusted using a flat screwdriver and a 8mm (5/16") wrench.

NOTE: By rotating the turret stop, three depth settings can be quickly made.

Fine Height Adjuster - (Fig. D)

This router has a built in fine height adjuster. This should be used when fine height adjustment of the cutter is required. This is especially recommended when using dovetail jigs or router tables.

Direction Of Feed - (Fig. L)



WARNING: Avoid climb-cutting (cutting in direction opposite than shown in Fig. L). Climb-cutting increases the chance for loss of control resulting in possible injury. When climb-cutting is required (backing around a corner), exercise extreme caution to maintain control of router. Make smaller cuts and remove minimal material with each pass.

The direction of feed is very important when routing and can make the difference between a successful job and a ruined project. Fig. L show proper direction of feed for most cuts.

1. When routing along an edge, the direction of the router travel should be against that of the rotation of the cutter. This will create the correct cutting action and prevent the cutter from snatching. It will also pull the router towards the workpiece and the side fence or guide bearing will be less likely to wander from the edge of the workpiece.

Feed Speed

The speed at which the cutter is fed into the wood must not be too fast that the motor slows down, or too slow that the cutter leaves burn marks on the face of the wood.

NOTE: Practice judging the speed by listening to the sound of the motor when routing.

Sequence of Plunging



WARNING: When routing always lock the plunge locking lever.

1. Plunge down and lock the motor carriage, by pushing quick release button (7).
2. Perform the desired routing operation.
3. Push down the plunge lock lever (6) and the motor carriage returns to the normal position.

Using a Side Fence - (Fig. M)



CAUTION: Ensure working position is comfortable and at a suitable working height.

1. Ensure the wing bolts **(28)** are fully released. Slide the guide rods **(26)** into the routing base **(10)** and tighten the wing bolts.
2. Adjust the fence fine adjustment knob **(29)** to the required distance and clamp in place with the wing bolts **(28)**.
3. Then lower the cutter height until the cutter is just above the workpiece.
4. Fine adjustments are possible by loosening the wing bolt **(28)** and adjusting the side fence fine adjustment knob **(29)**.
5. Tighten the wing bolt **(28)** to secure the position.

NOTE: One revolution of the side fence fine adjustment knob **(29)** equals 3/64" (1.0 mm) of side feed.

6. Lower the cutter onto the workpiece and set the cutter height by to the required distance. Refer to Setting the Router Depth.

7. Switch the router on and after the cutter reaches full speed, gently lower the cutter into the workpiece and lock the plunge.

8. Feed along the workpiece, keeping sideways pressure to ensure the side fence does not wander away from the workpiece edge and downward pressure on the inside hand to prevent the router from tipping.

9. When finished, raise the router, secure with the plunge locking lever **(6)** and switch the router off.

NOTE: When starting the cut, keep the pressure on the front cheek until the back cheek contacts the workpiece edge.

NOTE: At the end of the cut, keep pressure on the back cheek until the cut is finished. This will prevent the router cutter swinging in at the end of the workpiece and nipping the corner.

Side Fence Routing - (Fig. I, J)

The side fence is used to guide the router when moulding, edge profiling or rebating the edge of a workpiece or when routing grooves and slots in the center of the workpiece, parallel to the edge.

The edge of the workpiece must be straight and true.

The strips **(31)** are adjustable and should be set ideally with a 1/8" (3 mm) gap each side of the cutter.

Guiding Off a Batten

Where an edge guide cannot be used, it is also possible to guide the router along a batten clamped across the workpiece (with an overhang at both ends).

Freehand Routing



WARNING: Make shallow cuts only! Use cutters with a max. diameter of 12mm.

Your router can also be used without any sort of guide, e.g. for signwriting or creative work.

Table Mode - (Fig. Q)

(T14 ONLY)



WARNING: Before T14 is installed into the router table, check that the router table meets all of the legal safety requirements for router tables. Read all safety warnings, instructions, and specifications provided with the router table.

Failure to follow all instructions and safety rules may result in electric shock, fire and/or serious injury.



WARNING: To reduce the risk of serious personal injury, turn unit off and disconnect it from power source before making any adjustments or removing/ installing attachments or accessories. An accidental start-up can cause injury.



WARNING: Do not use the T14EK as a handheld router if the power switch box is connected.



CAUTION: If there is dust inside the power switch socket, clean it out before using the power switch box.

1. To connect the power switch box **(41)** to the router, disconnect the tool from its power source.

2. Attach the power switch box **(41)** to the workbench in a position easily accessible by hand and where unintentional switching on is prevented.

NOTE: The external switch can be secured to the router table with the four mounting holes **(42)**.

3. The cable must be installed and fastened in such a way that it cannot be squeezed or touch sharp edges.

4. Push in on the lock button **(43)** located on the left side handle **(44)** with a blunt instrument to unlock the handle cap **(40)**.

NOTE: If there is dust inside the power switch socket, clean it out before using the power switch box.

5. Keep pushing the lock button **(43)** in and rotate the handle cap **(40)** to access the power switch socket **(46)**.

6. Ensure the paddle switch of the power switch box is in the off position before connecting to the power switch socket.

7. Connect power switch box plug (47) to the power switch socket (46).
8. Thread the ring nut (48) of power switch box plug (47) to the power switch socket (46) to lock it securely in place.
9. Attach the plunge router under the workbench, as required per your application or the instruction for the router table switch box (41).
10. Plug the tool back into its power source. The router can now switched on and off by acting on paddle (49) on the power
11. Pull out the paddle (49) to start the tool and push in the paddle to switch it off.

Fitting the T14 Fine Height Adjuster - (Fig. S1)

The fine height adjuster (Quick Raiser) (61) for the T14 can be used portably or when the router is held inverted in a table. If a suitable size access hole is drilled into the router table top, the height adjustment can also be adjusted from above the table top.

To set up for fine height adjustment:

1. Plunge router and lock lever down.
2. Rotate the knurled nut (4) down the stud until it is close to the router casting forks (62).
3. Align the base of the knurled nut (4) so that it will locate in the forks (62).
4. Release plunge locking lever.



CAUTION: DO NOT use a powered drill to drive the T14 Quick Raiser assembly. Only use the supplied handle. Ensure that the plunge locking lever is unlocked. Never use unnecessary force to rotate the Quick Raiser mechanism. Do not undo Torx® screw on hex nuts.

Using the T14 Without Fine Height Adjuster - (Fig. S2)

In portable use the knurled nut (4) should be wound to the top of the stud and hand tightened against the hex cap. The base of the knurled nut (4) should be aligned with the forks (62) in the router casing.



CAUTION: In normal plunge mode, ensure the base of the knurled nut is aligned correctly with the forks of the lower motor housing. This will enable the cutter to retract into the base safely.

For Portable Use:

1. Place the fine height adjuster handle (61) onto the top threaded spindle hex nut (51).

2. Rotate handle clockwise to raise motor body and reduce cutter depth.
3. Rotate handle anti-clockwise to lower motor body and increase cutter depth.

For Router Table Use - (Fig. S3)

1. Ensure router is fitted into the router table, see opposite page.
2. Place fine height adjuster handle (61) through router table cutter hole onto bottom threaded spindle hex nut (64).
3. Rotate handle clockwise to raise motor body and raise cutter height.
4. Rotate handle anti-clockwise to lower motor body and lower cutter height.

One revolution corresponds to 1,5mm. The height adjuster handle dial (63) can be reset to zero.

Prior to Operation

1. Check that the cutter is correctly installed in the collet.
2. Set the cutting depth.
3. Connect a dust extractor.
4. Make sure the plunge limiter is always locked before switching on.

Routing with Pilot Cutters - (Fig. R)

Where a parallel guide or guide bush are inappropriate, it is possible to use pilot cutters (50) for cutting shaped edges.

These include collets (6 – 12.7 mm), a height adjusting tool and router table for use in inverted position, finger jointing tools for dovetail and finger jointing jigs, dovetail jointing templates, adjustable guide bush holder and guide bushes and guide rails in various lengths.

Base Mounting Points for Accessories - (Fig. N)

This router has three threaded holes (53) built into the base that allows it to attach to other accessories.



MAINTENANCE
Your power tool has been designed to operate over a long period of time with a minimum of maintenance. Continuous satisfactory operation depends upon proper tool care and regular cleaning.



WARNING: To reduce the risk of serious personal injury, turn tool off and disconnect tool from power source before making any adjustments or removing/ installing attachments or accessories. An accidental start-up can cause injury.

Repairs



WARNING: To assure product SAFETY and RELIABILITY, repairs, maintenance and adjustment (including power cord repairs, and brush inspection and replacement, when applicable) should be performed by a Trend service center or a Trend authorized service center. Always use identical replacement parts.

Lubrication

- Your power tool requires no additional lubrication.

Cleaning



WARNING: Blow dirt and dust out of the main housing with dry air as often as dirt is seen collecting in and around the air vents. Wear approved eye protection and approved dust mask when performing this procedure.



WARNING: Never use solvents or other harsh chemicals for cleaning the non-metallic parts of the tool. These chemicals may weaken the materials used in these parts. Use a cloth dampened only with water and mild soap. Never let any liquid get inside the tool; never immerse any part of the tool into a liquid.

Optional Accessories



WARNING: Since accessories, other than those offered by Trend Tool Technology Ltd, have not been tested with this product, use of such accessories with this tool could be hazardous. To reduce the risk of injury, only Trend Tool Technology Ltd recommended accessories should be used with this product.

Consult your dealer for further information on the appropriate accessories.

Storage

- After use return the tool to its storage box.

ENVIRONMENTAL PROTECTION



Recycle raw materials instead of disposing as waste.

Accessories and packaging should be sorted for environmental-friendly recycling.

Separate collection. This product must not be disposed of with normal household waste.

Household User

Local regulations may provide for separate collection of electrical products from the household, at municipal waste sites or by retailer when you purchase a new product. Please call Trend Customer Services for advice as to how to dispose of unwanted Trend electrical products in an environmentally safe way or visit www.trend-uk.com

Business Users

Please call Trend Customer Services for disposal of unwanted Trend electrical products.

GUARANTEE

The unit carries a manufacturers guarantee in accordance with the conditions on the enclosed guarantee card.

For the location of your nearest Trend Service Agent, please call Trend Customer Services or see our stockist locator at www.trend-uk.com

DE - T12 & T14

Vielen Dank für den Kauf dieses Trend Tool Technology Ltd - Produkts. Wir hoffen, Sie werden das Produkt viele Jahre kreativ und produktiv nutzen.

Bitte schicken Sie die Garantiekarte innerhalb von 28 Tagen nach Kauf des Produkts zurück.

TECHNISCHE DATEN

		T12E	T14E
Spannung	V AC	230	230
Typ		1	1
Leistungsaufnahme	W	2300	2300
Leerlaufdrehzahl	min 1	9000 22000	9000 22000
Fräskorb	mm	2 column	2 column
Fräskorbhub (Tragbaren Modus)	mm	50	50
Max. Fräsdurchmesser (Tischmodus)	mm	50	86
Spannzangengröße für Europa	mm	12	12
anzhangengröße für UK und ROI	inch	1/2	1/2
Gewicht	kg	6.4	6.5
Lärmwerte und/oder Vibrationswerte (Triax-Vektorsumme) gemäß EN62841 2 17			
L _{PA} (Emissions Schalldruckpegel)	dB(A)	95.1	95.1
L _{WA} (Schallleistungspegel)	dB(A)	106.1	106.1
K (Unsicherheitsfaktor für den angegebenen Schallpegel)	dB(A)	2.5	2.5
Vibrationsemissionswert a _{h,hv} =	m/s ²	3.1	3.1
Messungenauigkeit K =	m/s ²	0.31	0.31

Der in diesem Informationsblatt angegebene Vibrations- und/oder Geräuschemissionswert wurde gemäß einem standardisierten Test laut EN62841 gemessen und kann für einen Vergleich zwischen zwei Geräten verwendet werden. Er kann zu einer vorläufigen Einschätzung der Exposition verwendet werden.



WARNUNG: Der angegebene Vibrations- und/ oder Geräuschemissionswert bezieht sich auf die Hauptanwendung des Geräts. Wenn das Gerät jedoch für andere Anwendungen, mit anderem Zubehör oder schlecht gewartet eingesetzt wird, kann die Vibrations- und/oder Geräuschemission verschieden sein. Dies

kann den Expositionsgrad über die Gesamtbetriebszeit erheblich erhöhen.

Eine Schätzung der Vibrations- und/oder Geräuschstärke sollte auch berücksichtigen, wie oft das Gerät ausgeschaltet wird oder über welche Zeit es zwar läuft, aber nicht wirklich in Betrieb ist. Dies kann die Exposition über die Gesamtbetriebszeit erheblich mindern.

Identifizieren Sie zusätzliche Sicherheitsmaßnahmen, um den Bediener vor den Vibrations- und/oder Geräuschauswirkungen zu schützen, wie: Erhalt des Werkzeugs und Zubehörs, Hände warm halten (wichtig in Bezug auf Vibrationen), Organisation von Arbeitsmustern.

EG-Konformitätserklärung

Maschinenrichtlinie



T12E & T14E

Tauchfräse

Trend Tool Technology Ltd erklärt hiermit, dass diese unter Technische Daten beschriebenen Produkte die folgenden Vorschriften erfüllen: 2006/42/EC, EN 62841-1:2015 + AC:2015; EN 62841-2-17:2017

Diese Produkte erfüllen auch die Richtlinie 2014/30/EU und 2011/65/EU. Weitere Informationen erhalten Sie von Trend Tool Technology Ltd unter der folgenden Adresse. Diese befindet sich auch auf der Rückseite dieser Anleitung.

Der Unterzeichnete ist verantwortlich für die Zusammenstellung der technischen Daten und gibt diese Erklärung im Namen von Trend Tool Technology Ltd

Neil McMillan
Technical Director

Trend Tool Technology Ltd
Unit 6 Odhams Trading Estate
St Albans Road, Watford
Herts, WD24 7TR
United Kingdom

01/11/21

Ansprechpartner Technische Datei

Trend Tool Technology Ltd
3rd Floor, Kilmore House,
Park Lane, Spencer Dock,
Dublin 1, Ireland



WARNUNG: Zur Reduzierung der Verletzungsgefahr bitte die Bedienungsanleitung lesen.

Definitionen: Sicherheitsrichtlinien

Im Folgenden wird die Relevanz der einzelnen Warnhinweise erklärt. Bitte lesen Sie das Handbuch und achten Sie auf diese Symbole.



GEFAHR: Weist auf eine potenziell gefährliche Situation hin, die, wenn sie nicht vermieden wird, **zum Tod oder zu schweren Verletzungen führt.**



WARNUNG: Weist auf eine möglicherweise gefährliche Situation hin, die, sofern nicht vermieden, zu tödlichen oder **schweren Verletzungen führen kann.**



VORSICHT: Weist auf eine möglicherweise gefährliche Situation hin, die, sofern nicht vermieden, u. U. zu leichten oder mittelschweren Verletzungen führen kann.



HINWEIS: Weist auf ein Verhalten hin, das **nichts mit Verletzungen zu tun hat**, aber, wenn es **nicht vermieden wird, zu Sachschäden führen kann.**



Weist auf ein Stromschlagrisiko hin.



Weist auf eine Brandgefahr hin.



ALLGEMEINE SICHERHEITSHINWEISE FÜR ELEKTROWERKZEUGE



WARNUNG: Beachten Sie alle Sicherheitshinweise, Anweisungen, Darstellungen und Daten, die Sie mit dem Gerät erhalten. Wenn Sie die folgenden Anweisungen nicht beachten, kann es zu elektrischem Schlag, Feuer und/oder schweren Verletzungen kommen.

BEWAHREN SIE ALLE WARNHINWEISE UND ANWEISUNGEN ZUM SPÄTEREN NACHSCHLAGEN AUF

Der Begriff „Elektrowerkzeug“ in den Warnhinweisen bezieht sich auf Ihr netzbetriebenes Elektrowerkzeug (mit Kabel) oder auf Ihr akkubetriebenes (kabelloses) Elektrowerkzeug.

1) Sicherheit im Arbeitsbereich

a) Halten Sie den Arbeitsbereich sauber und gut ausgeleuchtet. Unaufgeräumte oder dunkle Bereiche begünstigen Unfälle.

b) Betreiben Sie das Elektrowerkzeug nicht in explosionsgefährdeten Umgebungen, in denen sich z. B. brennbare Flüssigkeiten, Gase oder Staub befinden. Elektrowerkzeuge erzeugen

Funken, die den Staub oder die Dämpfe entzünden können.

c) Halten Sie Kinder und Zuschauer fern, während Sie ein Elektrogerät betreiben. Ablenkung kann dazu führen, dass Sie die Kontrolle über das Gerät verlieren.

2) Elektrische Sicherheit

a) Der Stecker des Elektrogerätes muss in die Steckdose passen. Ändern Sie niemals den Stecker in irgendeiner Form. Verwenden Sie keinerlei Adapterstecker an geerdeten Elektrogeräten. Unveränderte Stecker und passende Steckdosen mindern die Gefahr eines elektrischen Schlages.

b) Vermeiden Sie Körperkontakt mit geerdeten Flächen, wie Rohre, Radiatoren, Herde und Kühlgeräte. Es besteht eine erhöhte Gefahr für einen elektrischen Schlag, wenn Ihr Körper geerdet ist.

c) Setzen Sie Elektrogeräte keinem Regen oder feuchter Umgebung aus. Wenn Wasser in das Elektrogerät eindringt, erhöht sich die Gefahr eines elektrischen Schlages.

d) Überlasten Sie das Kabel nicht. Verwenden Sie niemals das Kabel, um das Elektrogerät zu tragen oder durch Ziehen vom Netz zu trennen. Halten Sie das Kabel fern von Hitze, Öl, scharfen Kanten oder beweglichen Teilen. Beschädigte oder verhedderte Kabel erhöhen die Gefahr eines elektrischen Schlages.

e) Wenn Sie ein Elektrogerät im Freien betreiben, verwenden Sie ein für den Außeneinsatz geeignetes Verlängerungskabel. Die Verwendung von für den

f) Wenn der Betrieb des Elektrowerkzeuges in feuchter Umgebung nicht vermeidbar ist, verwenden Sie einen Fehlerstromschutzschalter. Der Einsatz eines Fehlerstromschutzschalters vermindert das Risiko eines elektrischen Schlages.

3) Sicherheit von Personen

a) Seien Sie aufmerksam, achten Sie darauf, was Sie tun, und gehen Sie mit Vernunft an die Arbeit mit einem Elektrowerkzeug. Benutzen Sie kein Elektrowerkzeug, wenn Sie müde sind oder unter dem Einfluss von Drogen, Alkohol oder Medikamenten stehen. Ein Moment der Unachtsamkeit beim Betrieb eines Elektrogerätes kann zu schweren Verletzungen führen.

b) Tragen Sie persönliche Schutzausrüstung und immer eine Schutzbrille. Das Tragen persönlicher Schutzausrüstung, wie Staubmaske, rutschfeste Sicherheitsschuhe, Schutzhelm oder Gehörschutz, je nach Art und Einsatz des Elektrowerkzeuges, verringert das Risiko von Verletzungen.

c) Vermeiden Sie unbeabsichtigtes Starten.

Vergewissern Sie sich, dass der Schalter in der AUS-Position ist, bevor Sie das Gerät an die Stromversorgung und/oder an den Akku anschließen oder wenn Sie das Gerät aufnehmen oder tragen. Wenn Sie beim Tragen des Elektrowerkzeuges den Finger am Schalter haben oder das Gerät eingeschaltet an die Stromversorgung anschließen, kann dies zu Unfällen führen.

d) Entfernen Sie alle Einstellschlüssel oder Werkzeuge, bevor Sie das Elektrogerät einschalten.

Werkzeuge oder Schlüssel, die an rotierenden Teilen des Elektrogerätes angebracht sind, können zu Verletzungen führen.

e) Vermeiden Sie eine abnormale Körperhaltung.

Sorgen Sie für einen sicheren Stand und halten Sie jederzeit das Gleichgewicht. Dadurch können Sie das Elektrowerkzeug in unerwarteten Situationen besser kontrollieren.

f) Tragen Sie geeignete Kleidung. Tragen Sie keine weite Kleidung und keinen Schmuck. Halten Sie Ihre Haare, Kleidung und Handschuhe von beweglichen Teilen fern.

Lose sitzende Kleidung, Schmuck oder lange Haare können sich in den beweglichen Teilen verfangen.

g) Wenn Geräte für den Anschluss an eine Staubabsaugung und Staubsammlung vorgesehen sind, vergewissern Sie sich, dass diese richtig angeschlossen sind und verwendet werden.

Der Einsatz von Staubsaugern kann staubbedingte Gefahren mindern.

h) Vermeiden Sie, durch die häufige Nutzung des Werkzeugs in einen Trott zu verfallen und Prinzipien für die Werkzeugsicherheit zu ignorieren. Eine, unachtsame Aktion kann im Bruchteil einer Sekunde zu schweren Verletzungen führen.

4) Verwendung und Pflege des Elektrogerätes

a) Überlasten Sie das Elektrogerät nicht.

Verwenden Sie das für Ihre Arbeit passende Elektrogerät. Das richtige Gerät wird die Aufgabe besser und sicherer erledigen, wenn es bestimmungsgemäß verwendet wird.

b) Benutzen Sie kein Elektrowerkzeug, dessen Schalter defekt ist. Ein Elektrowerkzeug, das sich nicht mehr ein- oder ausschalten lässt, ist gefährlich und muss repariert werden.

c) Trennen Sie den Stecker vom Netz und/oder den Akku (sofern abnehmbar) vom Elektrowerkzeug, bevor Sie Einstellungen am Gerät vornehmen, Zubehör wechseln oder es aufbewahren. Diese Vorbeugemaßnahmen mindern die Gefahr, dass das Elektrogerät unbeabsichtigt startet.

d) Bewahren Sie nicht verwendete Elektrogeräte für Kinder unerreichbar auf und lassen Sie nicht zu, dass Personen ohne Erfahrung mit dem

Elektrogerät oder mit diesen Anweisungen das Elektrogerät bedienen. Elektrogeräte sind in den Händen nicht geschulter Personen gefährlich.

e) Warten Sie die Elektrogeräte. Prüfen Sie, ob bewegliche Teile verzogen oder ausgeschlagen, ob Teile gebrochen oder in einem Zustand sind, der den Betrieb des Elektrogerätes beeinträchtigen kann. Bei Beschädigungen lassen Sie das Elektrogerät reparieren, bevor Sie es verwenden. Viele Unfälle entstehen wegen mangelnder Wartung der Elektrogeräte.

f) Halten Sie Schneidwerkzeuge scharf und sauber. Richtig gewartete Schneidwerkzeuge mit scharfen Klingen blockieren seltener und sind leichter unter Kontrolle zu halten.

g) Verwenden Sie Elektrogeräte, Zubehör und Einsätze (Bits) usw. gemäß diesen Anweisungen und unter Berücksichtigung der Arbeitsbedingungen und der Aufgabe. Wenn Sie das Elektrogerät für Aufgaben verwenden, die nicht bestimmungsgemäß sind, kann dies zu gefährlichen Situationen führen.

h) Halten Sie die Griffe trocken, sauber und frei von Öl und Fett. Rutschige Griffe und Oberflächen unterbinden die sichere Bedienbarkeit und Kontrolle über das Werkzeug in unerwarteten Situationen.

5) Service

a) Lassen Sie Ihr Elektrowerkzeug nur von qualifiziertem Fachpersonal und nur mit Original-Ersatzteilen reparieren. Damit wird sichergestellt, dass die Sicherheit des Gerätes erhalten bleibt.

Sicherheitshinweise für Oberfräsen

a) Halten Sie das Elektrowerkzeug nur an den isolierten Griffflächen, da das Werkzeug die eigene Anschlussleitung berühren könnte. Der Kontakt mit stromführenden Leitungen kann auch offen liegende Metallteile am Gerät unter Strom setzen und zu einem Stromschlag führen.

b) Sichern Sie das Werkstück zum Beispiel mit Einspannvorrichtungen auf einer stabilen Plattform. Das Werkstück ist instabil, wenn es mit der Hand oder dem Körper abgestützt wird, was zum Verlust der Kontrolle führen kann.

c) Achten Sie darauf, dass die Griffe trocken, sauber sowie frei von Öl und Fett sind. Hierdurch haben Sie bessere Kontrolle über das Werkzeug.

d) Halten Sie das Werkzeug mit beiden Händen sicher fest, um Kontrolle über Reaktionsmomente beim Hochlauf zu haben. Halten Sie das Werkzeug während des Betriebs immer gut fest.

e) Halten Sie Ihre Hände vom Schneidbereich oberhalb und unterhalb des Sockels fern. Greifen Sie niemals und unter keinen Umständen unter das Werkstück. Halten Sie den Fräskorb bei der Arbeit immer in Kontakt mit dem Werkstück.

f) Berühren Sie das Bit niemals direkt nach der Verwendung. Es kann extrem heiß sein.

g) Stellen Sie sicher, dass das Werkzeug vollständig ausgelaufen ist, bevor sie es ablegen. Wenn das Bit sich noch dreht, wenn das Werkzeug abgelegt wird, kann dies zu Verletzungen oder Beschädigungen führen.

h) Stellen Sie sicher, dass das Fräser-Bit vor dem Starten des Motors vom Werkstück weg gehalten wird. Wenn der Fräser das Werkstück berührt, wenn der Motor gestartet wird, kann der Fräser springen, was zu Verletzungen oder Beschädigungen führt.

i) Die zulässige Drehzahl des Fräasers muss mindestens so hoch sein wie die auf dem Elektrowerkzeug angegebene Höchstdrehzahl. Ein Fräser, der sich schneller als zulässig dreht, kann zerbrechen und umherfliegen.

j) Befolgen Sie immer die Geschwindigkeitsempfehlungen des Bit-Herstellers, da einige Bit-Designs aus Sicherheits- oder Leistungsgründen bestimmte Geschwindigkeiten erfordern. Wenden Sie sich an den Bit-Hersteller, wenn Sie sich nicht sicher sind, ob die Geschwindigkeit korrekt ist, oder wenn Sie Probleme haben.

k) Verwenden Sie keine Fräser, die größer als 50 mm (2") sind, es sei denn, die Oberfräse ist in einen Oberfrästisch eingebaut

Verwenden Sie Fräser-Bits mit einem maximalen Durchmesser von 86 mm (3 3/8").

RESTRISIKEN



WARNUNG: Wir empfehlen die Verwendung einer Fehlerstromschutzeinrichtung mit einem Nennfehlerstrom von maximal 30mA.

Trotz Beachtung der geltenden Sicherheitsvorschriften und des Einsatzes von Schutzvorrichtungen können bestimmte Risiken nicht vermieden werden. Diese sind:

- Beeinträchtigung des Gehörs.
- Verletzungsgefahr durch umherfliegende Teilchen.
- Verbrennungsgefahr durch während des Betriebes heiß werdende Zubehörteile.
- Verletzungsgefahr durch andauernden Gebrauch.

BEWAHREN SIE DIESE ANWEISUNGEN AUF



Elektrische Sicherheit

Der Elektromotor wurde für eine einzige Spannung konstruiert. Überprüfen Sie immer, dass die Stromversorgung der Spannung auf dem Typenschild entspricht.



Ihr Trend Tool Technology Ltd Werkzeug ist gemäß EN62841 doppelt isoliert, daher ist kein Erdungsdraht erforderlich.

Das Modell (115V) ist zur Verwendung mit einem Sicherheitstransformator nach BS EN61558 und BS 4343 konzipiert. Betreiben Sie das Gerät nur, wenn der Transformator vorhanden ist

Wenn das Stromversorgungskabel beschädigt ist, muss es durch ein speziell ausgestattetes Kabel ersetzt werden, dass bei der Trend Kundendienstorganisation erhältlich ist.

Verwendung eines Verlängerungskabels

Wenn ein Verlängerungskabel erforderlich ist, verwenden Sie ein zugelassenes, dreiadriges Verlängerungskabel, das für den Eingang dieses Werkzeugs geeignet ist (siehe **Technische Daten**). Der Mindestquerschnitt der Adern beträgt 1,5 mm²; die maximale Länge beträgt 30 m.

Wenn Sie eine Kabeltrommel verwenden, wickeln Sie das Kabel vollständig ab.

PACKUNGSINHALT

- 1 x Oberfräse
- 1 x Spannzange 1/2" UK & ROI (12mm EU)
- 1 x Parallelanschlag
- 2 x Führungsstangen
- 1 x Führungshülse (30 mm)
- 1 x 22 mm Schlüssel
- 1 x SA Spanabsaugschlauch
- 1 x Fernschaltkasten (nur T14)
- 1 x Betriebsanleitung
- 1 x Griff für die Höhen-Feineinstellung (nur T14)

- Prüfen Sie das Gerät, die Teile oder Zubehörteile auf Beschädigungen, die beim Transport entstanden sein könnten.
- Nehmen Sie sich Zeit, die Betriebsanleitung vor Inbetriebnahme sorgfältig zu lesen.

BILDZEICHEN AM WERKZEUG

Die folgenden Bildzeichen sind am Gerät sichtbar angebracht:



Vor der Verwendung die Betriebsanleitung lesen.



Tragen Sie Gehörschutz.



Tragen Sie Augenschutz.



Sichtbare Strahlung. Nicht in den Lichtstrahl schauen.

Lage des Datumscodes - (Fig. A)

Der Datumscode (**56**), der auch das Herstelljahr enthält, ist in das Gehäuse geprägt.

Beispiel:

2021 XX XX
Herstelljahr

Description - (Fig. A)



WARNUNG: Nehmen Sie niemals Änderungen am Elektrowerkzeug oder dessen Teilen vor. Dies könnte zu Schäden oder Verletzungen führen.

1. Geschwindigkeitsregler
2. Haupthandgriffe
3. Ein-/Aus Schalter
4. Einstellrad
5. Höhenanschlagstange
6. Taucharretierhebel
7. Schnelllösetaste
8. Spindelarrretierung
9. Spannzangenbaugruppe
10. Basisplatte
11. Mehrstufiger Revolveranschlag
12. Tiefenanschlagstange
13. 22 mm Schlüssel
14. Ring für die schnelle Nullstellung
15. Verriegelung der Höhenschnelleinstellung
16. Höhenschnelleinstellung
17. Zeiger
18. Feineinstellung
19. Ring für die feine Nullstellung
20. Verriegelungsschalter

Verwendungszweck

Die Oberfräsen T12 und T14 wurden für professionelle Fräsarbeiten von Holz, holzbasierten Materialien und Kunststoffen unter hohen Ansprüchen entwickelt. Diese Oberfräsen sind für das Fräsen von Nuten, Kanten, Profilen und Schlitzten sowie für das Kopierfräsen bestimmt.

NICHT in nasser Umgebung oder in der Nähe von entflammaren Flüssigkeiten oder Gasen verwenden. Die Modelle T12 und T14 sind professionelle Elektrowerkzeuge. Die T14 ist so konzipiert, dass sie in einen Oberfrästisch eingebaut werden kann.

Die Oberfräse darf nur in Tische eingebaut werden, die den gesetzlichen Sicherheitsanforderungen für Oberfrästische entsprechen

Lassen **SIE NICHT** zu, dass Kinder in Kontakt mit dem Werkzeug kommen. Wenn unerfahrene Personen dieses Gerät verwenden, sind diese zu beaufsichtigen.

- **Kleine Kinder und behinderte Personen.** Dieses Gerät ist nicht zur Verwendung durch kleine Kinder oder behinderte Personen ohne Aufsicht gedacht.
- Dieses Gerät darf nicht von Personen (einschließlich Kindern) mit eingeschränkten physischen, sensorischen oder mentalen Fähigkeiten oder ohne ausreichende Erfahrung oder Kenntnisse verwendet werden, außer wenn diese Personen von einer Person, die für ihre Sicherheit verantwortlich ist, bei der Verwendung des Geräts beaufsichtigt werden. Lassen Sie nicht zu, dass Kinder mit diesem Produkt allein gelassen werden



VORSICHT: Lesen Sie die folgenden Abschnitte, bevor Sie eines der Bedienelemente verwenden.

Automatische Verriegelung für Eintauchhebel (Fig. B1-B4)

1. Hebel (**6**) Stellung 0 (11 Uhr)

Die Einstellung „Eintauchen“ ist automatisch verriegelt und kann nicht verstellt werden.

2. Hebel (**6**) Stellung 1 (1 Uhr)

Solange der Hebel in dieser Stellung gehalten wird, ist die automatische Verriegelung vorübergehend deaktiviert, und die Oberfräse kann eintauchen. Wenn der Hebel losgelassen wird, wird die Eintauchposition verriegelt.

Perfekt für die schnelle Neupositionierung und Oberflächenerfassung in Verbindung mit einer Vorrichtung.

3. Hebel (**6**) Stellung 2 (2 Uhr)

Drehen Sie den Hebel, bis Sie ein „Klicken“ hören. Die automatische Verriegelung ist jetzt ausgeschaltet und die Oberfräse befindet sich im Modus „Frei Eintauchen“, so dass der Benutzer die Eintauchposition vollständig steuern kann.

Perfekt für die genaue Repositionierung und die Einstellung von Tiefennuten.

4. Hebel zurückstellen (**7**)

Schaltet die automatische Verriegelung wieder ein und bringt den Hebel in die Stellung 0 zurück.

Der Eintauchhebel ist selbstspannend, so dass Vibrationen, die durch schwere Belastung verursacht werden, die Genauigkeit der Tiefeeneinstellung nicht beeinträchtigen.

Spannzangen - (Fig. C)



WARNUNG: Gefahr von umherfliegenden Teilen. Nur Bits verwenden, deren Schaft zu der angebrachten Spannzange passt. Kleinere Bit-Schäfte sind nicht sicher und könnten sich während des Betriebs lösen.



VORSICHT: Ziehen Sie die Spannzange nie an, ohne zuerst einen Fräseinsatz eingesetzt zu haben. Das Festziehen einer leeren Spannzange, auch wenn dies von Hand geschieht, kann die Spannzange beschädigen.

Im Lieferumfang der Oberfräse ist eine Spannzange enthalten.

- 12 mm: Europa
- 1/2": Großbritannien

1. Zum Austauschen von Spannzangen (35) schrauben Sie die Spannzangenbaugruppe (9) ab.

2. Ziehen Sie die alte Spannzange vorsichtig aus der Spannzangenmutter (45) und setzen Sie dann die neue Spannzange (35) ein.

3. Drücken Sie fest auf die neue Spannzange, so dass sie an der Haltefeder in der Spannzangenmutter vorbeischnappt.

Mehrstufiger Revolveranschlag - (Fig. E)



WARNUNG: Betätigen Sie nicht den Revolveranschlag, während der Fräser läuft. Hierdurch würden sich Ihre Hände zu nah am Fräskopf befinden. Der Revolveranschlag (11) begrenzt den Weg, den das Werkzeug nach unten eintauchen kann. Er besteht aus drei unterschiedlich langen Schrauben, die dazu dienen, die Schnitttiefe festzulegen, indem sie den Weg der Tiefenanschlagstange (12) begrenzen.

1. Die Frästiefe kann durch Auswahl der Schraube mit der entsprechenden Länge am Revolver eingestellt werden.
2. Der Revolver ist drehbar und verfügt über Anschläge, um die Schrauben richtig auszurichten.
3. Die Frästiefe wird durch das Zusammenspiel von Tiefenanschlagstange und Revolveranschlag bestimmt.
4. Wenn keine der mitgelieferten Schrauben der gewünschten Höhe nahe kommt, kann jede der Schrauben durch Lösen der Sechskantmutter an der Unterseite und anschließendes Hinein- oder Herausdrehen der Schraube auf die richtige Länge angepasst werden. Ziehen Sie nach dem Einstellen dieser Schraube unbedingt die Sechskantmutter am unteren Ende mit einem 8 mm Schlüssel (55) wieder fest.

5. Der Abschnitt Festlegen der Frästiefe informiert über die Verwendung des Revolveranschlags im praktischen Einsatz.

Höhenanschlagstange und Einstellrad für den Höhenanschlag - (Fig. G)

Die Höhenanschlagstange (5) und das Einstellrad (4) begrenzen, wie hoch die Einheit sich auf den Schienen bewegen kann. Das System ist von ganz unten, wo das Gerät sich unabhängig von der Position des Tauchfreigabehebels nicht mehr höher bewegen kann, bis ganz oben, wo das Unterteil der Spannzange 80 mm (3 5/32") über dem Werkstück liegt, einstellbar.

HINWEIS: Das Einstellrad für den Höhenanschlag lässt sich leichter nach oben bewegen, wenn der Hebel für die Tauchfreigabehebel verriegelt ist, und es lässt sich leichter nach unten bewegen, wenn das Gerät zunächst nach unten bewegt wird, indem der Tauchfreigabehebel losgelassen und dann festgezogen wird.

ZUSAMMENBAU UND EINSTELLUNGEN



WARNUNG: Um die Gefahr schwerer Verletzungen zu mindern, schalten Sie das Gerät aus und trennen Sie es vom Netz, bevor Sie Einstellungen vornehmen oder Anbaugeräte oder Zubehör anbringen oder entfernen. Ein unbeabsichtigtes Starten kann zu Verletzungen führen.

Einsetzen und Entfernen eines Fräasers - (Fig. C, F)



WARNUNG: Ziehen Sie die Spannzange nicht ohneingesetzten Fräser an.



WARNUNG: Verwenden Sie immer Fräser mit einem Schaft, der dem Durchmesser der Spannzange entspricht.



WARNUNG: Verwenden Sie keine Fräser, die größer als 50 mm (2") sind, es sei denn, die Oberfräse ist in einen Oberfrästisch eingebaut



VORSICHT: Seien Sie beim Entfernen des Fräasers vorsichtig, um Schnittverletzungen an den Fingern zu vermeiden.

Einsetzen eines Fräasers

1. Führen Sie mindestens drei Viertel der Schaftlänge des Fräasers in die Spannzange (9) ein.
2. Drücken Sie die Spindelarretierung (8) nach vorne, bis die Spindel der Oberfräse arretiert ist.

HINWEIS: Möglicherweise müssen Sie die Spindel etwas drehen, damit sie einrastet.

3. Drehen Sie die Spannzangenmutter (45) zum Anziehen mit dem mitgelieferten 22 mm Schlüssel (13) gegen den Uhrzeigersinn.

Entfernen eines Fräasers

1. Drücken Sie die Spindelarretierungstaste (8) nach vorne, bis die Spindel der Oberfräse arretiert ist.

2. Drehen Sie die Spannzangenmutter (9) zum Lösen mit dem mitgelieferten 22 mm Schlüssel (13) im Uhrzeigersinn.

3. Drehen Sie den Schraubenschlüssel weiter, bis die Spannzangenmutter fest angezogen ist und sich dann wieder lockert. Dabei handelt es sich um den Sicherheitsmechanismus, der die Spannzange freigibt.

4. Der Fräser sollte nun herausgleiten.

HINWEIS: Wenn Sie einen Fräser nicht mehr benutzen, nehmen Sie ihn heraus und bewahren Sie ihn an einem sicheren Ort auf.

Höhenfeineinstellung - (Fig. A, D, E)



VORSICHT: Vergewissern Sie sich, dass der Taucharretierhebel entriegelt ist. Wenden Sie niemals unnötige Kraft an, um den Mechanismus der Höhenfeineinstellung zu drehen.



VORSICHT: Die aufgeschraubten Sechskantmuttern dürfen nicht entfernt werden.

Die Höhenfeineinstellung kann im tragbaren Modus verwendet werden oder wenn die Oberfräse in einem Tisch montiert ist.

Einstellen der Frästiefe - (Fig. A, D, E)

Ihre Oberfräse ist mit einem hochpräzisen Tiefeneinstellungssystem ausgestattet, das sowohl für die Höhenschnelleinstellung als auch für die Höhenfeineinstellung einen Nullstellring enthält.

Schnelleinstellung mit Hilfe der Einteilung mit Nullstellring

1. Lockern Sie die Verriegelung der Höhenschnelleinstellung für den Tiefenanschlag (15).

2. Lösen Sie die Taucharretierung, indem Sie den Freigabehebel (6) nach unten drücken.

3. Senken Sie die Oberfräse, bis der Fräser das Werkstück berührt.

4. Drücken Sie die Schnellverriegelungstaste (7).

5. Stellen Sie die Höhenschnelleinstellung (16) auf Null und setzen Sie den Feineinstellungsring (19) auf Null

zurück. Die Tiefenanschlagstange (12) muss mit dem Revolveranschlag (11) in Kontakt sein.

6. Stellen Sie die Frästiefe mit Hilfe der Höhenschnelleinstellung (16) und der entsprechenden Einteilung ein. Die Frästiefe wird durch den Zeiger (17) angegeben.

7. Ziehen Sie die Verriegelung der Höhenschnelleinstellung (15) fest

Feineinstellung

Wenn Sie nicht mit einer Tiefenschablone arbeiten, oder wenn die Frästiefe neu eingestellt werden muss, ist es empfehlenswert, dafür die Höhenfeineinstellung (18) zu verwenden.

1. Stellen Sie die Frästiefe wie unter **Einstellen der Frästiefe** beschrieben ein.

2. Setzen Sie die Höhenfeineinstellung mit dem Ring für die feine Nullstellung (19) auf Null.

3. Drehen Sie die Höhenfeineinstellung (18) in die gewünschte Position: eine Umdrehung entspricht ca. 1 mm und 1 Markierung entspricht 0,1 mm

Montieren einer Führungshülse - (Fig. H)

Die Fräser haben ein einzigartiges integriertes Ausrichtungssystem für die Schablonen-Führungsbuchse. Dieses System stellt sicher, dass die Führungsbuchse genau konzentrisch zum Fräser ist, um ein genaues Arbeiten zu gewährleisten.

1. Kippen Sie die Oberfräse so, dass die Fräsesseite nach oben zeigt.

2. Setzen Sie die Innenplatte (58) in die Aussparung in der Grundplatte des Fräasers (10) ein. Am T12 müssen die Buchsen auf der Innenplatte in Richtung des Fräsmotors zeigen. Am T14 muss die erhöhte Seite der Innenplatte von der Grundplatte des Fräasers entfernt sein. Die beiden Flachkopf-Maschinenschrauben (59) durch die Innenplatte und in die Gewindebohrungen einsetzen und handfest anschrauben **SCHRAUBEN NICHT ANZIEHEN**

3. Setzen Sie die 30mm Schablonen-Führungsbuchse (24) auf die Innenplatte (58). Führungsbuchse mit den beiden M5-Senkopf-Maschinenschrauben (25) befestigen. Ziehen Sie diese Schrauben fest.

4. Der Ausrichtungsstift (60) ist für 12mm und ½" Spannzangengrößen (9) gekennzeichnet. (Für die ½" Spannzangen den Ausrichtungsstift einfach weiter nach unten in die ½" Spannzange drücken).

5. Setzen Sie den Ausrichtungsstift (60) in die ½" Spannzange (9) (oder 12mm, je nach Größe) in die Oberfräse ein, und ziehen Sie die Spannzange leicht an, um den Ausrichtungsstift (60) zu klemmen.

6. Lassen Sie den Eintauchhebel los und drücken Sie die Grundplatte vorsichtig nach unten, bis der Ausrichtungsstift (60) durch die 30mm lange Führungsbuchse (24) ragt.

7. Sobald diese ausgerichtet sind, ziehen Sie die Flachkopf-Maschinenschrauben (59) mit einem Schlitz-Schraubenzieher fest.

Montieren des Parallelanschlags - (Fig. I, J)

1. Montieren Sie die Führungsstange (26) an den Fräskorb (10).
2. Schieben Sie den Parallelanslag (27) über die Führungsstangen
3. Ziehen Sie die Flügelschrauben (28) vorübergehend an.

Einstellen des Parallelanschlags - (Fig. A, I, J)

1. Zeichnen Sie eine Fräslinie auf dem Material.
2. Senken Sie die Oberfräse, bis der Fräser das Werkstück berührt.
3. Drücken Sie auf die Schnelllösetaste (7) und begrenzen Sie den Fräserrücklauf mit dem Einstellrad (4).
4. Positionieren Sie die Oberfräse auf der Fräslinie.
5. Schieben Sie den Parallelanslag (27) gegen das Werkstück und ziehen Sie die Flügelschrauben (28) an.
6. Justieren Sie den Parallelanslag mit Hilfe des Feineinstellungsknopfes (29). Die äußere Schneidkante der Fräse muss mit der Fräslinie fluchten.
7. Bei Bedarf lockern Sie die Schrauben (30) und justieren Sie die Führungstreifen (31), um die gewünschte Führungslänge zu erhalten.

Staubabsaugung - (Fig. A, K, P)

Staub von Materialien wie bleihaltigen Beschichtungen und einigen Holzarten kann gesundheitsschädlich sein. Das Einatmen von Staub kann allergische Reaktionen hervorrufen und/oder zu Atemwegsinfektionen des Benutzers und anderer Personen führen.

Bestimmte Staubpartikel, beispielsweise von Eiche oder Buche, werden als krebserregend betrachtet, besonders in Verbindung mit einer Holzbehandlung.

Beachten Sie die geltenden Vorschriften in Ihrem Land für die zu bearbeitenden Materialien.

Die Staubabsaugvorrichtung muss für das zu bearbeitende Material geeignet sein.

Zum Absaugen von trockenem Staub, der besonders gesundheitsschädlich oder krebserregend ist, sollte eine Staubabsaugvorrichtung der Klasse M verwendet werden.

Anschließen eines Spanabsauganschlusses - (Fig. K)

Der Spanabsauganschluss besteht aus einem Hauptteil (32), einem Deckel (33), einem Adapter für einen Absaugschlauch (34), einer Schraube für den Absaugschlauch (37), zwei Schrauben für das Unterteil (52) und zwei Muttern (36).

1. Schieben Sie den Deckel (33) auf den Hauptteil (32) und lassen Sie ihn einrasten.
2. Setzen den Hauptteil (32) auf das Unterteil und befestigen Sie ihn mit zwei Schrauben (52) und Muttern (36).
3. Entfernen Sie die Schraube (37) von der Oberseite der Oberfräse und verwenden Sie sie, um den Spanabsauganschluss (34) an der Oberfräse zu montieren.

Anschließen des Absaugschlauchs - (Fig. P)



WARNUNG: Gefahr Staub einzuatmen. Um das Risiko von Verletzungen zu reduzieren, tragen Sie **IMMER** eine zugelassene Staubschutzmaske.



WARNUNG: VERWENDEN SIE IMMER eine Spanabsaugung, die den gültigen Richtlinien für das Sägen von Holz entspricht. Der Absaugschlauch der meisten handelsüblichen Staubsauger kann direkt an den Spanauswurf angeschlossen werden.

Verbinden Sie einen Absaugschlauch (38) mit Hilfe des mit dem Spanabsauganschluss (34).

Ihr Werkzeug ist mit einem Spanabsauganschluss (34) ausgestattet. Der Absaugschlauch der meisten Staubsauger kann direkt an den Spanauswurf angeschlossen werden.

HINWEIS: Achten Sie bei der Spanabsaugung darauf, dass der Staubsauger nicht im Weg steht und so gesichert ist, dass er nicht umkippen oder mit der Oberfräse oder dem Werkstück kollidieren kann. Auch der Staubsaugerschlauch und das Netzkabel müssen so verlegt werden, dass sie weder die Oberfräse noch das Werkstück beeinträchtigen. Wenn der Staubsauger oder der Staubsaugerschlauch nicht richtig aufgestellt werden kann, sollte er wieder entfernt werden.


BETRIEB



Betriebsanweisungen




WARNUNG: Beachten Sie immer die Sicherheitsanweisungen und die geltenden Vorschriften.

 **WARNUNG:** Um die Gefahr schwerer Verletzungen zu mindern, schalten Sie das Gerät aus und trennen Sie es vom Netz, bevor Sie Einstellungen vornehmen oder Anbaugeräte oder Zubehör anbringen oder entfernen. Ein unbeabsichtigtes Starten kann zu Verletzungen führen.

Richtige Haltung der Hände - (Fig. O)

 **WARNUNG:** Zur Reduzierung des Risikos schwerer Verletzungen muss **IMMER** die richtige Handstellung eingehalten werden, wie in der Abbildung gezeigt

 **WARNUNG:** Zur Reduzierung des Risikos schwerer Verletzungen muss das Gerät **IMMER** fest in den Händen gehalten werden, damit jederzeit richtig reagiert werden kann.

Bei der korrekten Handposition liegen beide Hände auf den Haupthandgriffen (2).

Verwendung der Fräse - (Fig. A, L)

 **VORSICHT:** Schalten Sie die Fräser ein, bevor Sie den Fräskopf in das Werkstück eintauchen.

 **VORSICHT:**

- Eine zu große Frästiefe kann zu einer Überlastung des Motors oder zu Schwierigkeiten bei der Kontrolle des Werkzeugs führen. Die Frästiefe sollte bei einem Durchgang nicht mehr als 15 mm (19/32") betragen, wenn mit einem Bohrer mit einem Durchmesser von 8 mm (5/16") Nuten gefräst werden.
- Beim Fräsen von Nuten mit einem Bohrer mit 20 mm (25/32") Durchmesser sollte die Frästiefe bei einem Durchgang nicht mehr als 5 mm (3/16") betragen.
- Für besonders tiefe Nuten machen Sie zwei oder drei Durchgänge mit jeweils tieferen Bit Einstellungen.

 **VORSICHT:** Lassen Sie die Maschine nach längerem Betrieb mit niedriger Drehzahl drei Minuten lang bei maximaler Drehzahl und ohne Last abkühlen.

Mit der Tauchfräse können alle gängigen Fräsarbeiten in allen Holz- und Kunststoffarten durchgeführt werden:

- Nutenschneiden
- Fälzen
- Aussparungen
- Äderungen
- Profile

Um eine Überlastung des Werkzeugs durch eine falsche Geschwindigkeitsauswahl zu vermeiden, sollten Sie die folgenden Empfehlungen beachten:

MATERIAL	FRÄSERDURCHMESSER		
	10 – 30 mm	30 – 50 mm	50 – 86* mm
GESCHWINDIGKEITS-AUSWAHL			
Hartholz	7 - 5	6 - 2	5 - 2
Weichholz	7 - 6	7 - 5	5 - 2
Spanplatte beschichtet	7 - 6	7 - 4	n / a
Kunststoff	7 - 5	7 - 4	n / a

* Verwenden Sie keine Fräser, die größer als 50 mm (2") sind, es sei denn, die Oberfräse ist in einen Oberfrästisch eingebaut

HINWEIS: Für Platten, die mit Kunststofflaminaten beschichtet sind, sollten nur hartmetallbestückte Fräser verwendet werden. Harte Lamine lassen Stahlfräser schnell abstumpfen.

HINWEIS: Reinigen Sie die Säulen regelmäßig von Staub und Ablagerungen, um eine bessere Eintauchbewegung zu gewährleisten. Wenn die Eintauchbewegung nicht so leichtgängig ist wie gewünscht, schmieren Sie die Säulen mit einem trockenen Teflonschmiermittel.

1. Nachdem die Frästiefe wie beschrieben eingestellt wurde, positionieren Sie die Oberfräse so, dass sich der Fräser direct über der Stelle befindet, an der Sie fräsen wollen.
2. Senken Sie das Gerät bei laufender Oberfräse gleichmäßig in das Werkstück ab. **FRÄSE NICHTINDER UNTERENPOSITIONBLOCKIEREN.**
3. Wenn das Werkzeug die voreingestellte Tiefe erreicht hat, drücken Sie zum Verriegeln die Schnelllösetaste (7) .
4. Wenn Sie mit dem Fräsen fertig sind, drücken Sie zum Entriegeln den Taucharretierhebel (6) und lassen Sie die Feder die Oberfräse direkt aus dem Werkstück heben.
5. Bewegen Sie das Werkzeug immer entgegen der Drehrichtung des Fräskopfes. Siehe dazu Abbildung L.

Ein-/Ausshalter - (Fig. A)

WARNUNG: Um die Gefahr von schweren Verletzungen zu verringern, schalten Sie das Gerät aus und trennen es von der Stromquelle, bevor Sie Einstellungen vornehmen oder Anbaugeräte oder Zubehör entfernen/anbringen. Ungewolltes Anlaufen kann Verletzungen verursachen.

1. Um das Werkzeug einzuschalten, drücken Sie den Ein-/ Aus Schalter (3) ein. Drücken Sie den Auslöseschalter weiterhin oder drücken Sie für den Dauerbetrieb den Verriegelungsschalter (20).

2. Ausschalten des Geräts:

- a. Wenn der Verriegelungsknopf eingerastet ist, lösen Sie ihn, indem Sie ihn eindrücken und wieder loslassen.
- b. Wenn der Verriegelungsschalter nicht eingerastet ist, lassen Sie ihn vollständig los.

Geschwindigkeitswahlrad (Fig. A)



WARNUNG: Wenn der Geschwindigkeitsregler nicht mehr oder nur noch gelegentlich funktioniert, stellen Sie die Verwendung des Werkzeugs sofort ein. Bringen Sie das Gerät zur Reparatur zu einem Trend Tool Technology Ltd Werk oder einem autorisierten Kundendienst.

HINWEIS: Die Oberfräse ist mit einer Elektronik ausgestattet, die Drehzahl des Werkzeugs beim Fräsen überwachen und einhalten. Bei geringer und mittlerer Drehzahl hindert der Drehzahlregler den Motor daran, seine Drehzahl zu verringern. Wenn Sie erwarten, eine Drehzahländerung hören zu können und den Motor weiter belasten, können Sie den Motor durch Überhitzung beschädigen. Reduzieren Sie die Frästiefe und/oder verringern Sie die Zufuhr rate, um Beschädigungen am Gerät zu vermeiden.

1. Siehe **Drehzahlauswahltabelle** zur Auswahl einer Fräserdrehzahl. Drehen Sie den Drehzahlregler **(1)**, um die Drehzahl einzustellen. Die Drehzahl lässt sich mit dem Drehzahlregler **(1)** von 9000 bis 22000 U/min einstellen.

2. Drehen Sie den Drehzahlregler in die gewünschte Position. Der Regler ist von 1 bis 7 nummeriert und entspricht den Geschwindigkeiten der Oberfräse von 9000 bis 22000 U/ min.

3. Verwenden Sie die langsameren Einstellungen für Fräser mit großem Durchmesser und die schnelleren Einstellungen für Fräser mit kleinem Durchmesser.

4. Die richtige Einstellung hängt auch von der Dichte des Materials, der Frästiefe und der Zufuhrgeschwindigkeit der Oberfräse ab..

HINWEIS: Ein deutlicher Drehzahlabfall des Motors bedeutet eine Überlastung des Motors.

DREHZAHLAUSWAHLTABELLE	
REGLEREINSTELLUNG	UNGEFÄHRE DREHZAHL
1	9000
2	11000
3	13000
4	15000
5	18000
6	20000
7	22000

Die Drehzahlen in dieser Tabelle sind Richtwerte und dienen nur als Referenz. Ihr Fräs Werkzeug erzeugt möglicherweise nicht genau die Drehzahl, die für die Reglereinstellung aufgeführt ist..



WARNUNG: Befolgen Sie immer die Geschwindigkeitsempfehlungen des Bit Herstellers, da einige Bit Designs aus Sicherheits- oder Leistungsgründen bestimmte Geschwindigkeiten erfordern.

Wenden Sie sich an den Bit Hersteller, wenn Sie sich nicht sicher sind, ob die Geschwindigkeit korrekt ist, oder wenn Sie Probleme haben.

LED-Arbeitsleuchte - (Fig. F)



VORSICHT: Blicken Sie nicht in den Strahl der Arbeitsleuchte. Dies könnte zu schweren Augenverletzungen führen.

Es gibt zwei LED Arbeitsleuchten **(57)**, die sich neben der Spannzangenbaugruppe **(9)** befinden.

1. Die Arbeitsleuchten **(57)** leuchten dauerhaft, wenn die Oberfräse mit dem Stromnetz verbunden ist.

2. Zum Ausschalten der Arbeitsleuchten muss die Oberfräse vom Stromnetz getrennt werden.

HINWEIS: Die Arbeitsleuchte soll die unmittelbare Arbeitsfläche ausleuchten und ist nicht dazu bestimmt, als Taschenlampe zu fungieren.

Formung von Naturhölzern



WARNUNG: Beim Fräsen immer den Taucharretierhebel verriegeln.

Bei der Kantenformung von Naturhölzern werden immer zuerst die Stirnholzseiten und dann die Längsholzflächen bearbeitet. Dadurch wird sichergestellt, dass beim Fräsen der Längsholzflächen eventuelle Ausbrüche beseitigt werden.

1. Setzen Sie die Oberfräse mit montiertem Fräser auf das Werkstück.
 2. Stellen Sie den mehrstufigen Revolveranschlag (11) wie erforderlich ein.
 3. Lösen Sie den Knopf für die Schnelleinstellung (15), der den Tiefenanschlag (12) sichert.
 4. Drücken Sie den Taucharretierhebel (6) nach unten, um mit dem Eintauchvorgang zu beginnen.
 5. Senken Sie die Oberfräse langsam ab, bis der Fräser das Werkstück berührt, und sichern Sie sie durch Drücken der Schnelllösetaste (7).
 6. Drehen Sie die Höhengsnelleinstellung (16), bis die Tiefenanschlagstange (12) den mehrstufigen Revolveranschlag (13) berührt. Sichern Sie diese Position, indem Sie die Verriegelung der Höhengsnelleinstellung (15) anziehen.
 7. Wenn die Frästiefe neu eingestellt werden muss, empfiehlt sich die Verwendung einer Tiefenschnelleinstellung (16) für grobe Einstellungen oder der Höhenfeineinstellung für genaue Einstellungen.
 8. Stellen Sie die Frästiefe mit Hilfe der Höhenfeineinstellung (18)
- HINWEIS:** Eine Umdrehung der Höhenfeineinstellung (18) entspricht 1 mm (3/64"), eine Umdrehung der Höhengsnelleinstellung (15) entspricht 40 mm (1-1/2")
9. Lesen Sie die Frästiefe mit Hilfe des Rings für die schnelle Nullstellung (14) und des Rings für die feine Nullstellung (19) ab.
 10. Der Abstand zwischen der Oberseite des Revolvertiefenanschlags und der Unterseite des Tiefenanschlags ist die eingestellte Frästiefe.
 11. Die drehbaren Revolveranschlagschrauben (11) können zur Einstellung von bis zu drei Frästiefen verwendet werden. Die Höhe kann mit einem flachen Schraubenzieher und einem 8 mm Schlüssel (5/16") eingestellt werden.

HINWEIS: Durch Drehen des Revolveranschlags können schnell drei Tiefeneinstellungen vorgenommen werden.

Höhenfeineinstellung - (Fig. D)

Diese Oberfräse besitzt eine eingebaute Höhenfeineinstellung. Diese sollte verwendet werden, wenn eine Feineinstellung der Fräserhöhe erforderlich ist. Dies empfiehlt sich insbesondere bei der Verwendung von Schwalbenschwanzvorrichtungen oder Oberfrästischen.

Zufuhrriechung - (Fig. L)

 **WARNUNG:** Vermeiden Sie das „Gleichlaufräsen“ (Fräsen in entgegengesetzter Richtung als in Fig. L gezeigt). Beim Gleichlaufräsen erhöht sich die Gefahr eines Kontrollverlusts, was zu Verletzungen

führen kann. Wenn „Gleichlaufräsen“ notwendig ist, (Arbeiten um eine Ecke herum), seien Sie extrem vorsichtig, um die Kontrolle über den Fräser zu behalten. Führen Sie kleinere Schritte durch und entfernen Sie bei jedem nur wenig Material.

Die Zufuhrriechung ist beim Fräsen sehr wichtig und kann den Unterschied zwischen erfolgreicher Arbeit und einem ruinierten Projekt ausmachen. Fig. L zeigt für die meisten Schnitte die richtige Zufuhrriechung an.

Beim Fräsen entlang einer Kante sollte die Bewegungsrichtung der Oberfräse gegen die Rotationsrichtung des Fräsers gerichtet sein. Dies sorgt für die richtige Schnittbewegung und verhindert, dass der Fräser reißt. Außerdem wird die Oberfräse in Richtung des Werkstücks gezogen, so dass der Seitenanschlag oder das Führungslager weniger wahrscheinlich von der Werkstückkante abweicht

Zufuhrgeschwindigkeit

Die Geschwindigkeit, mit welcher der Fräser in das Holz eingeführt wird, darf nicht so hoch sein, dass der Motor langsamer wird, oder so niedrig, dass der Fräser Brandspuren auf der Holzoberfläche hinterlässt.

HINWEIS: Üben Sie, die Geschwindigkeit zu beurteilen, indem Sie während des Fräsens auf das Geräusch des Motors achten.

Reihenfolge beim Eintauchen



WARNUNG: Beim Fräsen immer den Taucharretierhebel verriegeln.

1. Das Absenken und Verriegeln des Motorschlittens erfolgt durch Drücken der Schnelllösetaste (7).
2. Führen Sie die gewünschten Fräsarbeiten durch.
3. Wenn Sie den Taucharretierhebel (6) nach unten drücken, kehrt der Motorschlitten in die normale Position zurück

Verwenden eines Parallelanschlags - (Fig. M)



VORSICHT: Achten Sie auf eine bequeme Arbeitsposition und auf eine geeignete Arbeitshöhe

1. Vergewissern Sie sich, dass die Flügelschrauben (28) vollständig gelöst sind. Schieben Sie die Führungsstangen (26) in den Fräsersockel (10) und ziehen Sie die Flügelschrauben an.
2. Stellen Sie den Feineinstellungsknopf des Anschlags (29) auf den gewünschten Abstand ein und klemmen Sie ihn mit den Flügelschrauben (28) fest
3. Verringern Sie dann die Fräserhöhe, bis sich der Fräser knapp über dem Werkstück befindet.

4. Feineinstellungen sind durch Lösen der Flügelschraube (28) und Anpassen des Feineinstellungsknopfes für den Seitenanschlag (29) möglich.

5. Ziehen Sie die Flügelschraube (28) fest, um diese Position zu sichern.

HINWEIS: Eine Umdrehung des Feineinstellungsknopfes für den Seitenanschlag (29) entspricht einem Seitenvorschub von 1,0 mm (3/64").

6. Senken Sie den Fräser auf das Werkstück und stellen Sie die Fräserhöhe auf den gewünschten Abstand ein. Siehe Festlegen der Frästiefe.

7. Schalten Sie die Oberfräse ein, und nachdem der Fräser seine volle Drehzahl erreicht hat, senken Sie den Fräser vorsichtig in das Werkstück ab und verriegeln die Eintauchbewegung.

8. Führen Sie das Werkstück mit seitlichem Druck an der Fräse entlang, um sicherzustellen, dass der Seitenanschlag nicht von der Werkstückkante abweicht. Drücken Sie es dabei mit der Innenhand nach unten, um ein Kippen der Oberfräse zu verhindern.

9. Wenn Sie fertig sind, heben Sie die Oberfräse an, sichern Sie sie mit dem Taucharretierhebel (6) und schalten Sie sie aus.

HINWEIS: Zu Beginn des Schnitts halten Sie den Druck auf die Vorderwange aufrecht, bis die Hinterwange die Werkstückkante berührt.

HINWEIS: Halten Sie am Ende des Schnitts den Druck auf die Hinterwange aufrecht, bis der Schnitt ganz beendet ist. Dadurch wird verhindert, dass der Fräser am Ende des Werkstücks einschwingt und die Ecke einklemmt.

Fräsen mit Seitenanschlag - (Fig. I, J)

Der Seitenanschlag dient zur Führung der Oberfräse beim Fräsen, Kantenprofilieren oder Fälzen der Kante eines Werkstücks oder beim Fräsen von Nuten und Schlitzlen in der Mitte des Werkstücks, parallel zur Kante.

Die Kante des Werkstücks muss gerade und eben sein.

Die Streifen (31) sind einstellbar und sollten idealerweise auf jeder Seite des Fräasers mit einem Abstand von 3 mm (1/8") eingestellt werden.

Führung entlang einer Latte

Dort wo keine Kantenführung möglich ist, können Sie auch eine auf dem Werkstück festgeklemmte Latte als Führung verwenden. (Dabei sollte die Latte an beiden Enden über das Werkstück hinausragen).

Fräsen ohne Führungsanschlag



WARNUNG: Arbeiten Sie nur mit geringen Schnitttiefen! Verwenden Sie Fräser mit einem maximalen Durchmesser von 12mm.

Ihre Oberfräse kann auch ohne jegliche Führung, z.B. für Schriftzüge oder kreative Werkstücke, betrieben werden.

Tischmodus (Fig. Q)

(NUR T14E)



WARNUNG: Bevor T14EK in den Oberfrästisch eingebaut wird, überprüfen Sie, ob der Oberfrästisch allen gesetzlichen Sicherheitsanforderungen für Oberfrästische entspricht.

Beachten Sie alle Sicherheitshinweise, Anweisungen und Daten, die Sie mit dem Oberfrästisch erhalten. Wenn Sie nicht alle Anweisungen und Sicherheitshinweise beachten, kann es zu elektrischem Schlag, Feuer und/oder schweren Verletzungen kommen.



WARNUNG: Um die Gefahr von schweren Verletzungen zu verringern, schalten Sie das Gerät aus und trennen es von der Stromquelle, bevor Sie Einstellungen vornehmen oder Anbaugeräte oder Zubehör entfernen/anbringen. Ungewolltes Anlaufen kann Verletzungen verursachen.



WARNUNG: Verwenden Sie die T14EK nicht als handgeführte Fräse, wenn der Stromschaltkasten angeschlossen ist.



VORSICHT: Wenn sich Staub in der Steckdose befindet, reinigen Sie sie, bevor Sie den Schaltkasten benutzen.

1. Um den Stromschaltkasten (41) an die Oberfräse anzuschließen, trennen Sie zuerst das Gerät von der Stromquelle.

2. Befestigen Sie den Stromschaltkasten (41) an der Werkbank an einer Stelle, die von Hand leicht zugänglich ist und ein unbeabsichtigtes Einschalten verhindert.

HINWEIS: Der externe Schalter kann mit Hilfe der vier Befestigungslöcher am Oberfrästisch befestigt werden (42).

3. Das Kabel muss so verlegt und befestigt werden, dass es nicht eingeklemmt werden kann und keine scharfen Kanten berührt.

4. Drücken Sie mit einem stumpfen Gegenstand auf den Verriegelungsknopf (43) am linken Seitengriff (44), um die Griffkappe (40) zu entriegeln.

HINWEIS: Wenn sich Staub in der Steckdose befindet, reinigen Sie sie, bevor Sie den Schaltkasten benutzen.

5. Drücken Sie den Verriegelungsknopf (43) weiter hinein und drehen Sie die Griffkappe (40), um an die Steckdose (46) zu gelangen.

6. Vergewissern Sie sich, dass der Wippschalter des Schaltkastens ausgeschaltet ist, bevor Sie das Gerät an die Steckdose anschließen.

7. Verbinden Sie den Stecker des Stromschaltkastens (47) mit der Steckdose (46).

8. Drehen Sie die Ringmutter (48) des Steckers des Stromschaltkastens (47) auf die Steckdose (46), um ihn sicher zu befestigen.

9. Befestigen Sie die Tauchfräse unter der Werkbank, wie es für Ihre Anwendung oder laut Anleitung des Oberfrästisches erforderlich ist (41).

10. Schließen Sie das Gerät wieder an die Stromquelle an. Die Oberfräse kann nun durch Betätigung des Wippschalters (49) am Stromschaltkasten (42) ein- und ausgeschaltet werden.


11. Ziehen Sie den Wippschalter (49) heraus, um das Gerät zu starten, und drücken Sie ihn hinein, um es auszuschalten.

Anbringen der Höhen-Feineinstellung am T14 - (Fig. S1)

Die Höhen-Feineinstellung (Schnellanhebung) (61) für den T14 kann portabel oder wenn der Fräser in einem Frästisch sitzt, verwendet werden. Wenn ein Zugangslot geeigneter Größe in die Tischplatte des Frästisches gebohrt wird, kann die Höhenverstellung auch von oberhalb der Tischplatte erfolgen.

Einrichtung der Höhen-Feineinstellung:

1. Eintauch- und Arretierhebel nach unten drücken.
2. Drehen Sie den Gewindeeinsatz (4) auf der Gewindestange nach unten, bis er sich nahe an den Handgriffen (62) des Fräasers befindet.
3. Richten Sie den Vierkant des Gewindeeinsatzes (4) so aus, dass er im Einsatz am Handgriff (62) sitzt.
4. Lösen Sie die Arretierung des Eintauchhebels.

 **VORSICHT:** Verwenden Sie keine Bohrmaschine oder Akkuschrauber, um die Schnellhebevorrichtung am T14 zu drehen! Verwenden Sie nur den mitgelieferten Drehgriff. Stellen Sie sicher, dass der Eintauchhebel nicht arretiert ist. Drehen Sie die Schnellhebevorrichtung niemals gewaltsam. Lösen Sie keine Torx®-Schrauben auf Sechskantmuttern.

Verwenden des T14 ohne Feinhöhenversteller - (Fig. S2)

Bei tragbarer Verwendung sollte die Rändelmutter (4) oben auf den Bolzen gewickelt und handfest gegen die Sechskantkappe angezogen werden. Die Basis der Rändelmutter (4) sollte mit den Gabeln (62) im Fräsergehäuse ausgerichtet sein.



VORSICHT: Stellen Sie im normalen Tauchmodus sicher, dass die Basis der Rändelmutter korrekt mit den Gabeln des unteren Motorgehäuses ausgerichtet ist. Dadurch kann der Fräser sicher in die Basis eingefahren werden.

Für den mobilen Einsatz

1. Setzen Sie den Drehgriff der Höhen-Feineinstellung (61) auf das obere Sechskantprofil der Gewindespindel (51).
2. Drehen Sie den Drehgriff im Uhrzeigersinn, um das Motorgehäuse anzuheben und die Frästiefe zu verringern.
3. Drehen Sie den Drehgriff gegen den Uhrzeigersinn, um das Motorgehäuse zu senken und die Frästiefe zu erhöhen.

Für die Verwendung in einem Frästisch - (Fig. S3)

1. Stellen Sie sicher, dass der Fräser im Frästisch eingebaut ist; siehe nebenstehende Seite.
2. Setzen Sie den Drehgriff der Höhen-Feineinstellung (61) durch das Fräserloch des Frästisches auf das untere Sechskantprofil (64) der Gewindespindel.
3. Drehen Sie den Drehgriff im Uhrzeigersinn, um das Motorgehäuse und die Frästiefe anzuheben.
4. Drehen Sie den Drehgriff gegen den Uhrzeigersinn, um das Motorgehäuse und die Frästiefe abzusenken

Eine Umdrehung entspricht einer Höhe von 1,5mm. Die Skala (63) am Drehgriff der Höhen-Feineinstellung kann auf Null zurückgestellt werden

Vor dem Betrieb

1. Kontrollieren Sie, dass der Fräser korrekt in der Spannzange montiert wurde.
2. Stellen Sie die Frästiefe ein.
3. Schließen Sie einen Staubabsauger an.
4. Überzeugen Sie sich davon, dass die Taucharretierung verriegelt ist, bevor Sie das Gerät einschalten.

Fräsen mit Anlaufzapfen - (Fig.R)

Wo eine Parallelführung oder Führungshülse ungeeignet ist, können zum Konturfräsen Anlaufzapfen (50) benutzt werden. Hierzu gehören Spannzangen (12 – 12,7 mm), eine Höheneinstellung und Frästisch für Betrieb in Untertischmontage, Zinkenfräsgeräte für Schwalbenschwanz und Finger-Zinken, Dübelschablonen, einstellbare Führungshülshalter und Führungshülsen sowie Führungsschienen in verschiedenen Längen.

Befestigungspunkte für Zubehör am Sockel - (Fig. N)

Diese Oberfräse besitzt am Sockel drei Gewindelöcher (53), welche die Befestigung an anderen Zubehöriteilen ermöglichen.



WARTUNG: Ihr Elektrowerkzeug wurde für langfristigen Betrieb mit minimalem Wartungsaufwand konstruiert. Ein kontinuierlicher, zufriedenstellender Betrieb hängt von der geeigneten Pflege des Elektrowerkzeugs und seiner regelmäßiger Reinigung ab.



WARTUNG: Um die Gefahr schwerer Verletzungen zu mindern, schalten Sie das Gerät aus und trennen Sie es vom Netz, bevor Sie Einstellungen vornehmen oder Anbaugeräte oder Zubehör anbringen oder entfernen. Ein unbeabsichtigtes Starten kann zu Verletzungen führen.

Reparaturen



WARTUNG: Um die SICHERHEIT und ZUVERLÄSSIGKEIT des Produkts zu gewährleisten, müssen Reparaturen, Wartung und Einstellung (einschließlich Reparaturen des

Stromkabels und Inspektion und Austausch der Bürsten, falls zutreffend) von einem Werkskundendienst von Trend Tool Technology Ltd oder von einem autorisierten Kundendienst von

Trend Tool Technology Ltd durchgeführt werden. Verwenden Sie immer identische Ersatzteile.

Schmierung

Ihr Elektrogerät benötigt keine zusätzliche Schmierung.

Reinigung



WARTUNG: Blasen Sie mit Trockenluft immer dann Schmutz und Staub aus dem Hauptgehäuse, wenn sich Schmutz sichtbar in und um die Lüftungsschlitze

ansammelt. Tragen Sie bei diesen Arbeiten zugelassenen Augenschutz und eine zugelassene Staubmaske.



WARTUNG: Verwenden Sie niemals Lösungsmittel oder andere scharfe Chemikalien für die Reinigung der nicht-metallischen Teile des Gerätes. Diese Chemikalien können das in diesen Teilen verwendete Material aufweichen. Verwenden Sie ein nur mit Wasser und einer milden Seife befeuchtetes Tuch. Achten Sie darauf, dass niemals Flüssigkeiten in das Gerät eindringen. Tauchen Sie niemals irgendein Teil des Gerätes in eine Flüssigkeit.

Optionales Zubehör



WARTUNG: Da Zubehöriteile, die nicht von Trend Tool Technology Ltd angeboten werden, nicht mit diesem Produkt getestet wurden, kann die Verwendung solcher Zubehöriteile mit diesem Gerät gefährlich sein. Zur Verringerung von Verletzungsgefahren sollten nur von Trend Tool Technology Ltd empfohlene Zubehöriteile zusammen mit diesem Produkt verwendet werden.

Fragen Sie Ihren Händler nach weiteren Informationen zu geeignetem Zubehör.

Lagerung

- Nach der Nutzung verwahren Sie das Werkzeug wieder in der Verpackung.

UMWELTSCHUTZ



Geben Sie Rohstoffe zur Wiederverwertung und entsorgen Sie sie nicht als Abfall..

Zubehöriteile und Verpackung sollten zur umweltfreundlichen Wiederverwertung aussortiert werden.

Getrennte Sammlung. Dieses Produkt darf nicht im normalen Haushaltsabfall entsorgt werden.

Private Nutzer

Lokale Verordnungen geben Auskunft über getrennte Entsorgung von elektrischen Haushaltsprodukten auf örtlichen Mülldeponien oder bei Einzelhändlern bei Kauf eines neuen Produkts. Bitte rufen Sie den Trend Kundenservice an, um sich über die umweltfreundliche und sichere Entsorgung von nicht mehr benötigten elektrischen Produkten von Trend beraten zu lassen oder besuchen Sie die website www.trend-uk.com

Gewerbliche Nutzer

Bitte setzen Sie sich wegen der Entsorgung von nicht mehr benötigten elektrischen Produkten von Trend telefonisch mit dem Kundendienst in Verbindung.

GEWÄHRLEISTUNG

Das Gerät besitzt eine Herstellergarantie gemäß den Bedingungen auf der beiliegenden Garantiekarte.

Um den Standort Ihres nächsten Trend-Servicemitarbeiters zu erfahren, rufen Sie bitte den Trend-Kundenservice an oder kontaktieren Sie den nächsten Fachhändler unter www.trend-uk.com

FR - T12/T14

Merci d'avoir acheté ce produit Trend Tool Technology Ltd, nous espérons qu'il vous procurera de nombreuses années d'usage créatif et productif.

N'oubliez pas de renvoyer votre carte de garantie dans les 28 jours de votre achat.

TECHNICAL DATA

		T12E	T14E
Tension	V AC	230	230
Type		1	1
Puissance absorbée	W	2300	2300
Vitesse à vide	min 1	9000 22000	9000 22000
Chariot de guidage de la défonceuse	mm	2 column	2 column
Course du chariot de guidage de la défonceuse (en mode Portatif)	mm	50	50
Diamètre de coupe mxi (Mode Plateau)	mm	50	86
Taille du mandrin pour l'Europe	mm	12	12
Taille du mandrin pour le Royaume Uni et République d'Irlande	inch	1/2	1/2
Poids	kg	6.4	6.5
Valeurs sonores et/ou valeurs des vibrations (somme vectorielle triaxiale) selon la norme EN62841 2 17			
L _{PA} (niveau de pression sonore émis)	dB(A)	95.1	95.1
L _{WA} (niveau de puissance sonore)	dB(A)	106.1	106.1
K (incertitude pour le niveau sonore donné)	dB(A)	2.5	2.5
Valeur des vibrations émises a _{h,hv} =	m/s ²	3.1	3.1
Incertitude K =	m/s ²	0.31	0.31

Le niveau sonore et/ou de vibrations émis indiqué dans ce feuillet d'informations a été mesuré conformément à une méthode de test normalisée établie dans par les normes EN62841 et il peut être utilisé pour comparer un outil à un autre. Il peut également être utilisé pour effectuer une évaluation préliminaire de l'exposition.

AVERTISSEMENT: Le niveau sonore et/ou de vibrations émis déclaré correspond aux applications principales de l'outil. Cependant, si l'outil est utilisé pour des applications différentes, avec des accessoires

différents ou qu'il est mal entretenu, le niveau sonore et/ ou de vibrations émis peut varier. Ces éléments peuvent augmenter considérablement le niveau d'exposition sur la durée totale de travail.

Toute estimation du degré d'exposition aux vibrations et/ ou au bruit doit également prendre en compte les heures où l'outil est éteint ou lorsqu'il est en marche sans effectuer aucune tâche. Ces éléments peuvent sensiblement réduire le niveau d'exposition sur la durée totale de travail.

Identifiez et déterminez les mesures de sécurité supplémentaires pouvant protéger l'utilisateur des effets des vibrations et/ou du bruit, comme par exemple l'entretien de l'outil et des accessoires, le fait de conserver les mains au chaud (pertinent pour les vibrations) et d'organiser les méthodes de travail.

DÉCLARATION DE CONFORMITÉ CE

À LA DIRECTIVE MACHINE



T12E & T14E

Défonceuse Plongeante

Trend Tool Technology Ltd certifient que les produits présentés dans la section Caractéristiques techniques sont conformes aux normes : 2006/42/EC, EN 62841-1:2015 + AC:2015; EN 62841-2-17:2017.

Ces produits sont également conformes aux directives 2014/30/ UE et 2011/65/UE. Pour obtenir plus de précisions, contactez Trend Tool Technology Ltd à l'adresse qui suit ou consultez la dernière page de la notice.

Le soussigné est responsable de la compilation du dossier technique et il fait cette déclaration au nom de Trend Tool Technology Ltd.

Neil McMillan
Technical Director

Trend Tool Technology Ltd
Unit 6 Odhams Trading Estate
St Albans Road, Watford
Herts, WD24 7TR
United Kingdom

01/11/21

Contacter la fiche technique

Trend Tool Technology Ltd
3rd Floor, Kilmore House,
Park Lane, Spencer Dock,
Dublin 1, Ireland



AVERTISSEMENT: afin de réduire le risque de blessure, lisez le manuel d'instruction.

Définitions: consignes de sécurité

Les définitions ci dessous décrivent le niveau de gravité de chaque mot signalétique. Lisez le manuel de l'utilisateur et soyez attentif à ces symboles.



DANGER: indique une situation dangereuse imminente qui, si elle n'est pas évitée, **entraînera des blessures graves ou mortelles.**



AVERTISSEMENT: indique une situation dangereuse potentielle qui, **si elle n'est pas évitée,** pourrait entraîner **des blessures graves ou mortelles.**



ATTENTION: indique une situation dangereuse potentielle qui, **si elle n'est pas évitée,** pourrait entraîner **des blessures minimales** ou modérées.



AVIS: indique une pratique ne **posant aucun risque de dommages corporels,** mais qui par contre, si rien n'est fait pour l'éviter, **pourrait** poser des **risques de dommages matériels.**



Indique un risque d'électrocution.



Indique un risque d'incendie.



CONSIGNES DE SÉCURITÉ GÉNÉRALES PROPRES AUX OUTILS ÉLECTRIQUES



AVERTISSEMENT: veuillez lire tous les avertissements de sécurité, toutes les instructions, illustrations et spécifications fournies avec cet outil électrique. Le non respect des instructions listées ci dessous peut conduire à des chocs électriques, des incendies et/ou de graves blessures.

CONSERVER TOUTES CES DIRECTIVES ET CONSIGNES À TITRE DE RÉFÉRENCE

Le terme « outil électrique » mentionné dans les avertissements ci après se rapporte aux outils alimentés sur secteur (avec fil) ou par piles (sans fil).

1) Sécurité électrique

a) Maintenez la zone de travail propre et bien éclairée. Cluttered or dark areas invite accidents.

b) Ne pas utiliser un outil électrique dans un milieu déflagrant, comme en présence de liquides, gaz ou poussières inflammables. Les outils électriques peuvent produire des étincelles qui pourraient enflammer toute émanation ou poussière ambiante.

c) Maintenir à l'écart les enfants, ou toute autre personne, lors de l'utilisation d'un outil électrique. Toute distraction pourrait faire perdre la maîtrise de l'appareil.

2) Sécurité – Électricité

a) La fiche électrique de l'outil doit correspondre à la prise murale. Ne modifier la fiche en aucune façon. Ne pas utiliser de fiche d'adaptation avec un outil électrique mis à la terre (masse). L'utilisation de fiches d'origine et de prises appropriées réduira tout risque de décharges électriques.

b) Éviter tout contact corporel avec des éléments mis à la terre comme : tuyaux, radiateurs, cuisinières ou réfrigérateurs. Les risques de décharges électriques augmentent lorsque le corps est mis à la terre.

c) Ne pas exposer les outils électriques à la pluie ou à l'humidité. Tout contact d'un outil électrique avec un liquide augmente les risques de décharges électriques.

d) Ne pas utiliser le cordon de façon abusive. Ne jamais utiliser le cordon pour transporter, tirer ou débrancher un outil électrique. Protéger le cordon de toute source de chaleur, de l'huile, et de tout bord tranchant ou pièce mobile. Les cordons endommagés ou emmêlés augmentent les risques de décharges électriques.

e) En cas d'utilisation d'un outil électrique à l'extérieur, utiliser systématiquement une rallonge conçue à cet effet. Cela diminuera tout risque de décharges électriques.

f) Si on ne peut éviter d'utiliser un outil électrique en milieu humide, utiliser un circuit protégé par un dispositif de courant résiduel (RCD). Cela réduira tout risque de décharges électriques.

3) Sécurité Individuelle

a) Rester systématiquement vigilant et faire preuve de jugement lorsqu'on utilise un outil électrique. Ne pas utiliser d'outil électrique en cas de fatigue ou sous l'influence de drogues, d'alcool ou de médicaments. Tout moment d'inattention pendant l'utilisation d'un outil électrique comporte des risques de dommages corporels graves.

b) Porter un équipement de protection individuel. Porter systématiquement un dispositif de protection oculaire. Le fait de porter un masque anti poussières, des chaussures antidérapantes, un casque de sécurité ou un dispositif de protection auditive,

lorsque la situation le requiert, réduira les risques de dommages corporels.

c) Prévenir tout démarrage accidentel. S'assurer que l'interrupteur est en position d'arrêt avant de brancher l'outil sur le secteur et/ou à la batterie, ou de le ramasser ou le transporter. Transporter un outil le doigt sur l'interrupteur ou brancher un outil électrique alors que l'interrupteur est en position de marche invite les accidents.

d) Retirer toute clé de réglage avant de démarrer l'outil. Une clé laissée sur une pièce rotative d'un outil électrique comporte des risques de dommages corporels.

e) Adopter une position stable. Maintenir les pieds bien ancrés au sol et conserver son équilibre en permanence. Cela permettra de mieux maîtriser l'outil électrique en cas de situations imprévues.

f) Porter des vêtements appropriés. Ne porter aucun vêtement ample ou bijou. Maintenir cheveux, vêtements et gants à l'écart des pièces mobiles, car ils pourraient s'y faire prendre.

g) Lorsqu'un dispositif de connexion à un système de dé poussiérage ou d'élimination est fourni, s'assurer qu'il est branché et utilisé correctement. L'utilisation de ces dispositifs peut réduire les risques engendrés par les poussières.

h) Ne pensez pas être à ce point familiarisé avec l'outil après l'avoir utilisé à de nombreuses reprises, au point de ne plus rester vigilant et d'en oublier les consignes de sécurité. Toute action imprudente peut engendrer de graves blessures en une fraction de seconde.

4) Utilisation et Entretien des Outils Électriques

a) Ne forcez pas sur l'outil électrique. Utilisez l'outil électrique adapté à votre application. L'outil électrique correct fera un meilleur travail et de manière plus sûre à la vitesse pour laquelle il a été conçu.

b) Ne pas utiliser un outil électrique dont l'interrupteur est défectueux. Tout appareil dont l'interrupteur est défectueux est dangereux et doit être réparé.

c) Débranchez la prise du secteur et/ou retirez le bloc batterie, s'il est amovible, de l'outil électrique avant d'effectuer tout réglage, de changer un accessoire ou de ranger l'outil électrique. Ces mesures de sécurité préventives réduisent le risque de démarrage accidentel de l'outil électrique.

d) Après utilisation, ranger les outils électriques hors de portée des enfants et ne permettre à aucune personne non familière avec son fonctionnement (ou sa notice d'instructions) de l'utiliser. Les outils peuvent être dangereux entre des mains inexpérimentées.

e) Entretenir les outils électriques. Vérifier les pièces mobiles pour s'assurer qu'elles sont bien alignées et tournent librement, qu'elles sont en bon état et ne sont affectées d'aucune condition susceptible de nuire au bon fonctionnement de l'outil. En cas de dommage, faire réparer l'outil électrique avant toute nouvelle utilisation. De nombreux accidents sont causés par des outils mal entretenus.

f) Maintenir tout organe de coupe propre et bien affûté. Les outils de coupe bien entretenus et affûtés sont moins susceptibles de se coincer et sont plus faciles à contrôler.

g) Utiliser un outil électrique, ses accessoires, mèches, etc., conformément aux présentes directives et suivant la manière prévue pour ce type particulier d'outil électrique, en tenant compte des conditions de travail et de la tâche à effectuer. L'utilisation d'un outil électrique à des fins autres que celles prévues est potentiellement dangereuse.

h) Maintenez toutes les poignées et surfaces de préhension sèches, propres et exemptes d'huile et de graisse. Des poignées et des surfaces de préhension glissantes ne permettent pas de manipuler et de contrôler l'outil correctement en cas de situations inattendues.

5) Réparation Faire entretenir les outils électriques par un réparateur qualifié en n'utilisant que des pièces de rechange identiques. Cela permettra de préserver l'intégrité de l'outil électrique et la sécurité de l'utilisateur.

Consignes de sécurité propres aux défonceuses

a) Veillez à toujours tenir l'outil électrique par ses surfaces de préhension isolées car il existe un risque que la fraise entre en contact avec le cordon de l'outil. Toucher un fil sous tension peut mettre les parties métalliques exposées de l'outil sous tension et provoquer une décharge électrique à l'utilisateur.

b) Utilisez des pinces ou tout autre moyen pratique pour fixer et soutenir l'ouvrage sur une plateforme stable. Tenir l'ouvrage dans votre main ou contre votre corps le rend instable et peut conduire à une perte de contrôle.

c) Veillez à garder les poignées sèches et propres, exemptes d'huile ou de graisse. Cela permet de mieux maîtriser l'outil.

d) Tenez fermement l'outil à deux mains afin de pouvoir résister au couple de démarrage. Maintenez toujours fermement l'outil quand vous l'utilisez.

e) **Tenez vos mains à l'écart de la zone de découpe au dessus et au dessous de la base. Ne placez jamais, sous aucun prétexte, vos mains sous l'ouvrage.** Maintenez la base de la défonceuse fermement en contact avec l'ouvrage pendant la découpe.

f) **Ne touchez jamais la fraise immédiatement après l'utilisation. Elle peut être très chaude.**

g) **Assurez vous de l'arrêt complet du moteur avant de reposer la défonceuse.** Si la fraise tourne toujours au moment où l'outil est reposé, cela peut engendrer des blessures ou des dommages.

h) **Assurez vous que la fraise de la défonceuse est loin de l'ouvrage avant de démarrer le moteur.** Si la fraise est en contact avec l'ouvrage au démarrage du moteur, la défonceuse peut tressauter et provoquer des dommages ou des blessures.

i) **La vitesse autorisée pour la fraise doit être au moins équivalente à la vitesse maximum indiquée sur l'outil électrique.** Les fraises qui fonctionnent plus vite que leur vitesse nominale peuvent rompre et voler en éclats.

j) **Veillez à toujours respecter les recommandations du fabricant de la fraise pour la vitesse car certaines fraises nécessitent des vitesses spécifiques pour fonctionner en toute sécurité et pour offrir le niveau de performance prévu.** Si vous n'êtes pas sûr(e) de la vitesse à adopter ou si vous rencontrez un problème quel qu'il soit, contactez le fabricant de la fraise.

k) **n'utilisez pas de fraises d'une largeur supérieure à 50 mm(2") à moins que la défonceuse soit installée sur un plateau pour défonceuse.**

Avec cet outil, n'utilisez pas de fraises de défonceuse dont le diamètre dépasse 86 mm (3 3/8").

RISQUES RÉSIDUELS



AVERTISSEMENT: nous recommandons l'utilisation d'un disjoncteur différentiel avec un seuil de déclenchement de 30mA ou moins.

Malgré l'application de la réglementation de sécurité applicable et la mise en oeuvre des dispositifs de sécurité, certains risques résiduels ne peuvent pas être évités. À savoir:

- Diminution de l'acuité auditive.
- Risques de dommages corporels dus à la projection de particules.
- Risques de brûlures provoquées par des accessoires chauffant pendant leur utilisation.
- Risques de dommages corporels dus à un usage prolongé.

CONSERVEZ CES INSTRUCTIONS



Sécurité électrique

Le moteur électrique a été conçu pour fonctionner à une tension unique. Assurez vous toujours que l'alimentation électrique correspond à la tension mentionnée sur la plaque signalétique.



Votre outil Trend Tool Technology Ltd est doublement isolé conformément aux normes EN62841. Il n'a donc pas besoin d'être relié à la terre.

Le modèle T12/T14 (115V) est destiné à être utilisé avec un transfo de sécurité répondant aux normes BS EN61558 et BS 4343. Ne travaillez jamais sans que le transformateur ne soit en place.

Si le cordon d'alimentation est endommagé, il ne peut être remplacé que par Trend Tool Technology Ltd ou l'un de leurs prestataires de service agréés

Utiliser une rallonge

Si une rallonge est nécessaire, utilisez une rallonge à trois conducteurs adaptée à la puissance absorbée de cet outil (consultez les **Caractéristiques techniques**). La taille minimum du conducteur doit être de 1,5 mm² ; la longueur maximum est de 30 m.

Si vous utilisez un enrouleur de câble, déroulez toujours le câble complètement.

CONTENU DE L'EMBALLAGE

L'emballage contient :

- 1 x défonceuse
- 1 x Mandrin 1/2" RU et Rep. d'Irlande (12mm EU)
- 1 x Garde parallèle
- 2 x Tiges de guidage
- 1 x Douille de guidage (30 mm)
- 1 x Clé de 22 mm
- 1 x Tube pour l'extraction des poussières SA
- 1 x Boîtier de commutation amovible (T14 uniquement)
- 1 x Notice d'utilisation
- 1 x Poignée de réglage fin en hauteur (T14 seulement)

- Vérifiez que l'outil et ses pièces ou accessoires n'ont pas été endommagés pendant le transport.
- Prenez le temps de lire intégralement cette notice et de parfaitement la comprendre avant d'utiliser l'outil.

ÉTIQUETTES SUR L'APPAREIL

On trouve les diagrammes suivants sur l'outil:



Lire le manuel d'instructions avant l'utilisation.



Porter un dispositif de protection auditive.



Porter un dispositif de protection oculaire.



Rayonnement visible. Ne pas exposer à la lumière.

Emplacement du code date - (Fig. A)

Le code date **(56)**, qui inclut également l'année de fabrication, est imprimé sur le corps de l'outil.

Exemple:

2021 XX XX

Année de fabrication

Descriptif - (Fig. A)



AVERTISSEMENT: ne modifiez jamais l'outil électrique ni aucune de ses pièces. Il existe sinon un risque de blessures ou de dommages.

1. Molette de contrôle de la vitesse
2. Poignées principales
3. Interrupteur Marche/Arrêt à gâchette
4. Molette
5. Tige de butée en hauteur
6. Levier de verrouillage de plongée
7. Bouton de libération rapide
8. Bouton de verrouillage de l'arbre
9. Ensemble Mandrin
10. Plaque de base
11. Butée de tourelle multi position
12. Barre de butée de profondeur
13. Clé 22 mm
14. Bague de remise à zéro du réglage rapide
15. Verrouillage du système de réglage rapide de la hauteur
16. Système de réglage rapide de la hauteur
17. Pointeur
18. Système de réglage de précision
19. Bague de remise à zéro du réglage de
20. Bouton de verrouillage de l'interrupteur

Utilisation prévue

Les défonceuses T12 et T14 ont été conçues pour le travail professionnel intensif du bois, des matériaux à base de bois et des plastiques.

Ces défonceuses ont été conçues pour le façonnage de rainures, de bordures, de profilés et de fentes ainsi que la copie de façonnage.

NE L'UTILISEZ PAS dans des environnements humides ou en présence de liquides ou de gaz inflammables.

les modèles T12 et T14 sont des outils électriques professionnels.

Le modèle T14 a été conçu pour pouvoir être installé sur un plateau de défonceuse. La défonceuse ne

peut être installée que sur des plateaux qui répondent aux prescriptions légales concernant les plateaux de défonceuses.

NE LAISSEZ PAS les enfants toucher l'outil. Les utilisateurs inexpérimentés doivent être supervisés quand ils utilisent cet outil.

- **Jeunes enfants et personnes infirmes.** Cet appareil n'est pas destiné à être utilisé par de jeunes enfants ou des personnes infirmes sans surveillance.
- Ce produit n'est pas destiné à être utilisé par des personnes (y compris les enfants) aux capacités physiques, sensorielles ou intellectuelles réduites ou qui manquent d'expérience, de connaissances ou d'aptitudes, à moins qu'elles ne soient surveillées par une personne responsable de leur sécurité. Ne laissez jamais les enfants seuls avec ce produit.



ATTENTION: avant d'utiliser n'importe quelle commande, veuillez à lire la section qui suit.

Levier de plongée à verrouillage automatique (Fig. B1-B4)

1. Position 0 du levier **(6)** (11 heures)

Le réglage de plongée est à verrouillage automatique et n'est plus modifiable.

2. Position 1 du levier **(6)** (1 heure)

Le verrouillage automatique est temporairement désactivé tant que le levier est maintenu dans cette position, et la défonceuse peut plonger. Au relâchement du levier, la position de plongée est verrouillée.

Idéal pour repositionnement rapide et calage en surface en cas d'utilisation avec un gabarit.

3. Position 2 du levier **(6)** (2 heures)

Tournez le levier jusqu'au "déclat". Le verrouillage automatique est maintenant désactivé et la défonceuse est en mode "plongée libre" qui permet à l'utilisateur de contrôler complètement la position de plongée.

Idéal pour le repositionnement exact et le réglage du guide de profondeur.

4. Palette de remise à zéro **(7)**

Réactive le verrouillage automatique et ramène le levier en position 0.

Le levier de plongée est autoserrant, donc les vibrations causées par des charges élevées n'affectent pas la précision du réglage de profondeur.

Mandrins - (Fig. C)



AVERTISSEMENT: risque de projections. Veuillez à n'utiliser que des outils dont la tige correspond au mandrin installé. Des outils avec une tige plus petite

ne pourraient pas être correctement retenus et ils pourraient se desserrer.



ATTENTION: ne serrez jamais le mandrin sans y avoir d'abord installé un outil de travail. Le fait de serrer un mandrin vide, même à la main, peut endommager le mandrin.

La défonceuse est livrée avec un mandrin.

- 12 mm: Europe
- 1/2": Grande Bretagne

1. Pour remplacer le mandrin (35), dévissez l'ensemble Mandrin (9).

2. Retirez l'ancien mandrin hors de l'écrou du mandrin d'un mouvement sec (45) et insérez le nouveau mandrin (35).

3. Poussez fermement pour que le nouveau mandrin s'enclenche derrière le ressort de retenue dans l'écrou du mandrin.

Butée de tourelle multi position - (Fig. E)



AVERTISSEMENT: veillez à ne jamais modifier la butée de la tourelle quand la défonceuse est en marche. Vos mains seraient sinon trop près de la tête de la fraise.

La butée de la tourelle (11) permet de limiter la distance à laquelle l'outil peut plonger. Elle est composée de trois vis de différentes longueurs qui permettent de définir la profondeur de coupe en limitant la course de la barre de butée de profondeur (12).

1. La profondeur de travail peut être définie en choisissant la vis de la longueur correspondante sur la tourelle.
2. La tourelle tourne et elle est présente des butées de détente qui permettent de correctement aligner les vis.
3. C'est l'interaction entre la barre de butée de profondeur et la butée de la tourelle qui détermine la profondeur de travail.
4. Si aucune des vis fournies ne correspond à la hauteur voulue, chacune d'entre elles peut être réglée en desserrant l'écrou à six pans du bas et en tournant la vis dans un sens ou dans l'autre pour qu'elle atteigne la bonne taille. Après avoir réglé cette vis, veillez à bien resserrer l'écrou à six pans du bas à l'aide de la clé de 8 mm (55).
5. Consultez la section Régler la profondeur de travail pour savoir comment utiliser la butée de la tourelle concrètement.

Tige de butée en hauteur et molette de butée en hauteur - (Fig. G)

La tige de butée en hauteur (5) et la molette (4) permettent de limiter la hauteur à laquelle la machine peut remonter sur les rails. Le système peut être réglé du plus bas niveau, là où la machine ne peut pas du tout être relevée, peu importe la position du levier de débrayage de la défonceuse, au niveau le plus haut, là où le bas du mandrin atteint 80 mm (3 5/32") au dessus de l'ouvrage.

REMARQUE: Il est plus facile de déplacer la molette de butée en hauteur vers le **HAUT** si le levier de libération de la plongée est verrouillé et il est plus facile de déplacer la molette vers le bas si la machine est d'abord abaissée en relâchant puis en resserrant le levier de libération de la plongée.

MONTAGE ET RÉGLAGES



AVERTISSEMENT: pour réduire tout risque de dommages corporels graves, arrêter et débrancher l'outil avant tout réglage ou avant de retirer ou installer toute pièce ou tout accessoire. Tout démarrage accidentel pourrait causer des dommages corporels.

Installer et retirer une fraise - (Fig. C, F)



AVERTISSEMENT: ne serrez jamais le mandrin sans qu'un outil de travail y soit installé.



AVERTISSEMENT: veillez à toujours utiliser des outils de travail dont les tiges correspondent au diamètre du mandrin.



AVERTISSEMENT: n'utilisez pas de fraises d'une largeur supérieure à 50 mm (2") à moins que la défonceuse soit installée sur un plateau pour défonceuse.



ATTENTION: soyez vigilant en retirant les fraises pour ne pas vous couper.

Installer une fraise

1. Insérez au moins les trois quarts de la tige de la fraise dans l'ensemble Mandrin (9).
2. Enfoncez le bouton de verrouillage de l'arbre (8) vers l'avant jusqu'à ce que l'arbre de la défonceuse soit bien verrouillé.

REMARQUE: Il se peut que vous ayez à tourner légèrement l'arbre pour qu'il soit bien engagé.


3. Tournez l'écrou du mandrin (**45**) dans le sens inverse des aiguilles d'une montre à l'aide de la clé de 22 mm fournie (**13**) pour serrer.

Retirer une fraise

1. Enfoncez le bouton de verrouillage de l'arbre (**8**) vers l'avant jusqu'à ce que l'arbre de la défonceuse soit bien verrouillé.
2. Tournez l'écrou du mandrin (**9**) dans le sens des aiguilles d'une montre à l'aide de la clé de 22 mm fournie (**13**) pour desserrer.
3. Continuez à tourner la clé jusqu'à ce que l'écrou du mandrin soit serré avant de desserrer de nouveau. Il s'agit d'un mécanisme à sécurité intégrée qui permet de libérer le mandrin.
4. La fraise doit alors pouvoir être glissée hors du mandrin.

REMARQUE: Chaque fois que vous avez fini d'utiliser une fraise, retirez-la et rangez-la dans un endroit sûr.

Système de réglage de précision de la hauteur - (Fig. A, D, E)

 **ATTENTION:** veillez à ce que le levier de verrouillage de plongée soit déverrouillé. N'utilisez jamais trop de force pour faire tourner le mécanisme de réglage de précision de la hauteur.

 **ATTENTION:** ne retirez pas la vis ou les écrous à six pans.

Le système de réglage de précision de la hauteur peut servir en mode Portatif ou si la défonceuse est maintenue à l'intérieur d'un plateau.

Régler la profondeur de coupe - (Fig. A, D, E)

Votre défonceuse est équipée d'un système de réglage de précision de la profondeur qui inclut une bague de remise à zéro pour le système de réglage rapide et une bague de remise à zéro pour le système de réglage de précision.

Réglage rapide à l'aide de l'échelle de graduation avec bague de remise à zéro

1. Desserrez le système de réglage rapide de la hauteur de la butée de profondeur (**15**).
2. Déverrouillez le limiteur de plongée en abaissant le levier de libération (**6**).
3. Abaissez le chariot de la défonceuse jusqu'à ce que la fraise entre en contact avec l'ouvrage.
4. Appuyez sur le bouton de verrouillage rapide (**7**).

5. Réglez le système de réglage rapide de la hauteur (**16**) sur zéro et ramenez la bague de remise à zéro du réglage de précision (**19**) sur zéro. La barre de butée en profondeur (**12**) doit toucher la butée de la tourelle (**11**).

6. Réglez la profondeur de coupe à l'aide du système de réglage rapide (**16**) et de la graduation correspondante. La profondeur de coupe est indiquée par le pointeur (**17**).

7. Serrez le système de réglage rapide de la hauteur (**15**).

Réglage de précision

Si vous n'utilisez pas de gabarit pour la profondeur ou si vous devez corriger la profondeur de coupe, il est conseillé d'utiliser le système de réglage de précision de la hauteur (**18**).

1. Réglez la profondeur de coupe, comme décrit dans la section Régler la profondeur de coupe.
2. Placez le système de réglage de précision de la hauteur sur zéro à l'aide de la bague de remise à zéro pour le réglage de précision (**19**).
3. Tournez le système de réglage de précision de la hauteur (**18**) jusqu'à la position voulue : un tour équivaut environ à 1 mm et 1 repère à 0,1 mm.

Pose de la bague guide de gabarit et de la plaque intérieure - (Fig.H)

Les défonceuses ont un système d'alignement intégré exclusif pour la bague guide de gabarit. Ce système permet d'assurer une concentricité parfaite de la bague guide avec la fraise de la défonceuse pour un travail précis.

1. Retournez la défonceuse.
2. Posez la plaque intérieure (**58**) dans le logement de la plaque de socle de la défonceuse (**10**). Pour le modèle T12 les bagues de la plaque intérieure doivent être orientées vers le moteur de la défonceuse. Pour le modèle T14 le côté en relief de la plaque intérieure doit être à l'opposé du socle de la défonceuse. Posez sans les serrer les deux vis à métaux à tête bombée (**59**) à travers la plaque intérieure et dans les trous taraudés **NE SERREZ PAS LES VIS**.
3. Posez la bague guide (**24**) pour gabarit de 30mm sur la plaque intérieure (**58**). Posez la bague guide avec les deux vis à métaux à tête fraisée M5 (**25**). Serrez ces vis.
4. La goupille d'alignement (**60**) est épaulée pour les dimensions de mandrin (**9**) 12mm et ½". (Pour le mandrin de ½" il suffit de pousser la goupille d'alignement pour l'enfoncer un peu plus dans le mandrin de ½").
5. Posez une goupille d'alignement (**60**) dans le mandrin de ½" (**9**) (ou 12mm selon la dimension utilisée) dans la défonceuse, serrez légèrement l'écrou de mandrin pour maintenir la goupille d'alignement (**60**).

6. Libérez le levier de plongée et appuyez doucement sur le socle jusqu'à faire dépasser la goupille d'alignement (60) à travers la bague guide de 30mm (24).

7. Une fois alignées, serrez les vis à métaux à tête bombée (59) avec un tournevis plat.

Installez le guide parallèle - (Fig. I, J)

1. Installez la tige de guide (26) sur la base de la toupie (10).

2. Faites glisser le guide parallèle (27) sur les tiges.

3. Serrez les boulons papillon (28) temporairement.

Ajustez le guide parallèle - (Fig. A, I, J)

1. Tracez une ligne de coupe sur le matériau.

2. Baissez le chariot de la toupie jusqu'à ce que le couteau entre en contact avec la pièce de travail.

3. Poussez le bouton de déblocage rapide (7) et limitez le retour de chariot à l'aide de la molette (4).

4. Positionnez la toupie sur la ligne de coupe.

5. Faites glisser le guide parallèle (27) contre la pièce de travail et serrez les boulons papillon (28).

6. Ajustez le guide parallèle à l'aide du bouton de réglage fin (29). Le bord de coupe extérieur du couteau coïncide avec la lame de coupe.

7. Au besoin, desserrez les vis (30) et ajustez les bandes (31) pour obtenir la longueur de guide voulue.

Extraction des poussières - (Fig. A, K, P)

Certaines poussières comme celles des revêtements au plomb ou de certains types de bois peuvent être nocives pour la santé. Inhaler les poussières peut occasionner des réactions allergiques et/ou des problèmes respiratoires aux utilisateurs, comme aux personnes à proximité.

Certaines poussières, comme celles du chêne ou du hêtre, sont considérées comme étant cancérigènes et notamment lorsqu'elles sont associées à des additifs pour le traitement du bois.

Veillez à respecter la réglementation en vigueur dans votre pays, concernant les matières sur lesquelles vous travaillez.

L'aspirateur doit être adapté en fonction des matières sur lesquelles vous travaillez.

Pour aspirer les poussières particulièrement nocives pour la santé ou cancérigènes, utilisez un aspirateur de classe M.

Raccorder l'adaptateur pour l'extraction des poussières - (Fig. K)

L'adaptateur pour l'extraction des poussières est composé d'une partie principale (32), d'un cache (33), d'un adaptateur de tuyau (34), d'une vis pour le tuyau d'aspiration (37), de deux vis pour la base (52) et de deux écrous (36).

1. Glissez le cache (33) sur la partie principale (32) jusqu'à ce qu'il s'enclenche en place.

2. Positionnez la partie principale (32) sur la base et fixez-la à l'aide des deux vis (52) et des deux écrous (36).

3. Retirez la vis (37) en haut de la défonceuse et utilisez la pour fixer l'adaptateur de tuyau (34) sur la défonceuse.

Raccorder le tuyau d'extraction des poussières - (Fig. P)



AVERTISSEMENT: risque d'inhalation de la poussière. Afin de réduire le risque de blessures, veillez à **TOUJOURS** porter un masque anti-poussière homologué.

Votre outil est livré avec un adaptateur de tuyau pour l'extraction des poussières (34).

La plupart des tuyaux d'extracteurs s'adaptent directement sur le raccord pour l'extraction des poussières.

REMARQUE: Quand vous utilisez un système d'extraction des poussières, veillez à ce que l'extracteur soit hors de votre chemin et bien sécurisé pour qu'il ne bascule pas et qu'il n'interfère pas avec la défonceuse ou l'ouvrage. Le tuyau de l'extracteur et le cordon d'alimentation doivent également être positionnés de sorte qu'ils n'interfèrent pas avec la défonceuse ou l'ouvrage. Si l'extracteur ou son tuyau ne peuvent pas être correctement positionnés, retirez les.

FONCTIONNEMENT



Instructions pour l'utilisation



AVERTISSEMENT: respectez toujours les consignes de sécurité et la réglementation applicable.



AVERTISSEMENT: pour réduire tout risque de dommages corporels graves, arrêter et débrancher l'outil avant tout réglage ou avant de retirer ou installer toute pièce ou tout accessoire. Tout démarrage accidentel pourrait causer des dommages corporels

Position correcte des mains - (Fig. O)



AVERTISSEMENT: afin de réduire le risque de blessure corporelle grave, utilisez **TOUJOURS** la position des mains appropriée comme illustré.



AVERTISSEMENT: afin de réduire le risque de blessure grave, tenez **TOUJOURS** fermement l'outil en prévision d'une réaction soudaine.

Une position des mains appropriée nécessite les deux main sur les poignées (2).

Utiliser la défonceuse - (Fig. A, L)



ATTENTION: allumez la défonceuse avant de plonger la fraise dans l'ouvrage.



ATTENTION:

- Une découpe trop appuyée peut surcharger le moteur ou compliquer la maîtrise de l'outil, la profondeur de coupe ne doit pas dépasser 15 mm (19/32") par passe pour le façonnage de rainures avec un embout de 8 mm (5/16") de diamètre.
- Pour la découpe de rainures avec un embout de 20 mm (25/32") de diamètre, la profondeur de coupe ne doit pas dépasser 5 mm (3/16") par passe.
- Pour des rainures très profondes, effectuez deux ou trois passes avec des réglages de profondeur progressivement plus importants.



ATTENTION: Après de longues périodes de travail à faible vitesse, laissez la machine refroidir en la laissant tourner trois minutes à vide, au régime minimum.

Toutes les tâches de détournage les plus courantes peuvent être réalisées à l'aide de la défonceuse pour coupes plongeantes sur tous les types de bois et de plastiques :

- Encoches
- Rainures
- Niches
- Nervures
- Profilés

Afin de ne pas surcharger l'outil en utilisant un mauvais réglage de la vitesse, respectez les recommandations qui suivent:

MATIÈRE	DIAMÈTRE DE LA FRAISE		
	10 - 30 mm	30 - 50 mm	50 - 86* mm
RÉGLAGE DE LA VITESSE			
Bois dur	7 - 5	6 - 2	5 - 2
Bois tendre	7 - 6	7 - 5	5 - 2
Aggloméré revêtu	7 - 6	7 - 4	n / a
Plastique	7 - 5	7 - 4	n / a

* n'utilisez pas de fraises d'une largeur supérieure à 50 mm(2") à moins que la défonceuse soit installée sur un plateau pour défonceuse.

REMARQUE: Veillez à n'utiliser que des fraises en carbure sur les panneaux avec stratifié en plastique. Les stratifiés durs émoussent rapidement les fraises en acier.

REMARQUE: Pour un meilleur coulisage en plongée, supprimez régulièrement les colonnes des poussières et des débris. Si le coulisage en plongée n'est pas suffisamment fluide, lubrifiez les colonnes à l'aide d'un lubrifiant sec au téflon.

1. Après avoir réglé la profondeur de coupe comme décrit, placez la défonceuse de sorte que l'embout se retrouve directement au dessus de l'endroit où la découpe aura lieu.

2. Avec la défonceuse en marche, abaissez progressivement la machine dans l'ouvrage.

NE BLOQUEZ PAS LA DÉFONCEUSE EN POSITION BASSE.

3. Dès que l'outil atteint la profondeur définie, enfoncez le bouton de libération rapide (7) pour le verrouiller.

4. Une fois le détournage terminé, enfoncez le levier de verrouillage de plongée (6) pour déverrouiller et laissez le ressort faire ressortir la défonceuse de l'ouvrage directement.

5. Faites toujours avancer la défonceuse dans le sens opposé au sens de rotation de la fraise. Consultez la Fig. L.

Bouton Marche/Arrêt de la gâchette - (Fig. A)



AVERTISSEMENT: afin de réduire le risque de blessure corporelle, éteignez et débranchez le de la source d'alimentation **avant d'effectuer tout ajustement ou de retirer/installer des pièces ou des accessoires.** Un démarrage accidentel peut causer des blessures.

1. Pour mettre l'appareil en marche, appuyez sur le bouton marche/arrêt de la gâchette (3) . Continuez à appuyer sur la gâchette ou sur le bouton de blocage (20) pour un fonctionnement en continu.

2. Éteignez l'appareil:

a. Si la gâchette de blocage est engagée, relâchez le bouton de blocage en appuyant sur la gâchette et en la relâchant.

b. Si le bouton de blocage n'est pas engagé, relâchez complètement la gâchette.



AVERTISSEMENT: si la commande de la vitesse ne fonctionne plus ou fonctionne de façon intermittente, cessez immédiatement d'utiliser l'outil. Retournez le dans une usine Trend Tool Technology Ltd ou un centre d'assistance agréé pour le faire réparer.

AVIS: la défonceuse est équipée d'un système électronique qui permet de surveiller et conserver la vitesse de l'outil pendant la découpe. Pendant les opérations à petite et moyenne vitesses, la commande de la vitesse empêche la chute du régime du moteur. Si vous percevez un changement dans la vitesse et que vous continuez à solliciter le moteur, vous pouvez endommager le moteur en le faisant surchauffer. Réduisez la profondeur de la coupe et/ou ralentissez la cadence pour ne pas endommager l'outil.

Consultez la section **Tableau de sélection de la vitesse pour choisir la vitesse de la défonceuse.** Tournez la molette variateur de vitesse **(1)** pour contrôler la vitesse de la défonceuse. La vitesse peut être réglée de 9000 à 22000 tr/min grâce à la molette variateur de vitesse **(1)**.

1. Tournez le variateur de vitesse dans la position désirée. La molette est numérotée de 1 à 7, ce qui correspond aux vitesses 9000 tr/min à 22000 tr/min de la défonceuse.
2. Utilisez les niveaux de réglage plus petits pour les fraises de grand diamètre et les niveaux de réglage plus grands pour les fraises de plus petit diamètre.
3. Le bon réglage dépend également de la densité de la matière travaillée, de la profondeur de découpe et de la vitesse d'avancement de la défonceuse.

REMARQUE : Toute perte notable de régime moteur indique que le moteur est en surcharge.

TABLEAU DE CHOIX DE VITESSE

RÉGLAGE DE LA MOLETTE	RPM APPROXIMATIFS
1	9000
2	11000
3	13000
4	15000
5	18000
6	20000
7	22000

Les vitesses indiquées dans ce tableau sont approximatives et elles ne sont qu'indicatives. Il se peut que votre défonceuse ne produise pas exactement la vitesse mentionnée pour un réglage de la molette donné.



AVERTISSEMENT: veillez à toujours respecter les recommandations du fabricant de la fraise utilisée pour la vitesse car certaines fraises nécessitent des vitesses spécifiques pour fonctionner en toute sécurité et pour offrir le niveau de performance prévu.

Si vous n'êtes pas sûr(e) de la vitesse à adopter ou si vous rencontrez un problème quel qu'il soit, contactez le fabricant de la fraise.

Éclairage de travail à LED - (Fig. F)



ATTENTION: Ne regardez pas directement la lumière. De graves lésions oculaires pourraient en résulter.

Deux lampes de travail à LED **(57)** se trouvent près de l'ensemble Mandrin **(9)**.

1. L'éclairage de travail **(57)** reste allumé lorsque la défonceuse est branchée sur le secteur.
2. Pour éteindre l'éclairage de travail, il faut que la défonceuse soit débranchée du secteur.

REMARQUE: L'éclairage de travail sert à éclairer la surface de travail immédiate et il ne doit pas être utilisé comme lampe torche.

Moulure en bois naturel



AVERTISSEMENT: bloquez toujours le levier de blocage de la lame d'entaille lorsque vous utilisez la toupe.

Pour la moulure de bordures en bois naturel, commencez toujours par le grain d'extrémité, suivi du grain long. Cela assure qu'une éventuelle rupture puisse être éliminée lorsque le grain long est utilisé.

Régler la profondeur de travail

- (Fig. D, E)

1. Positionnez la défonceuse avec la fraise sur l'ouvrage.
2. Réglez la butée de la tourelle multi position **(11)** comme voulu.
3. Desserrez le bouton de réglage rapide **(15)** qui fixe la butée de profondeur **(12)**.
4. Enfoncez le levier de verrouillage de plongée **(6)** pour commencer le détournage.
5. Abaissez doucement la défonceuse jusqu'à ce que la fraise touche l'ouvrage et fixez l'ensemble en poussant le bouton de libération rapide **(7)**.
6. Tournez le système de réglage rapide de la hauteur **(16)** jusqu'à ce que la barre de butée en profondeur **(12)** touche la butée de la tourelle multi position **(13)**. Fixez le tout en place en serrant le système de réglage rapide de la hauteur **(15)**.
7. Si la profondeur de coupe doit être de nouveau réglée, il est recommandé d'utiliser le système de réglage rapide de la profondeur **(16)** pour les réglages courants ou le système de réglage de précision de la hauteur pour des réglages plus précis.

8. Régler la profondeur de coupe à l'aide du système de réglage de précision de la hauteur **(18)**.

REMARQUE: Entour du système de réglage de précision de la hauteur **(18)** correspond à 1 mm (3/64"), un tour du système de réglage rapide **(15)** correspond à 40 mm (1 1/2")

9. Mesurer la profondeur de coupe à l'aide de la bague de remise à zéro rapide **(14)** et de la bague de remise à zéro de précision **(19)**.
10. La distance entre le haut de la butée de profondeur rotative et le bas de la butée de profondeur représente la profondeur de coupe nécessaire.
11. Les vis de butée de la tourelle rotative **(11)** peuvent être utilisées pour régler jusqu'à trois profondeurs de coupe. La hauteur peut être réglée à l'aide d'un tournevis plat et d'une clé de 8 mm (5/16").

REMARQUE: Il est possible de régler trois profondeurs rapidement en tournant la butée de la tourelle.

Réglage fin en hauteur - (Fig. D)

Cette toupie est dotée d'un réglage fin en hauteur. Il doit être utilisé lorsque qu'un réglage fin en hauteur de la lame est nécessaire. Il est particulièrement recommandé lorsque vous utilisez des gabarits en queue d'aronde ou des tables de toupie.

Sens de l'avance - (Fig. L)



AVERTISSEMENT: évitez la coupe ascendante (coupe dans le sens opposé à celui illustré

à la Fig. L). La coupe ascendante augmente le risque de perdre le contrôle entraînant une possible blessure. Lorsqu'une coupe ascendante est requise (contourner un coin), soyez très prudent pour maintenir le contrôle de la toupie. Faites des coupes plus petites et retirez une quantité minimale de matériau lors de chaque passage.

Le sens d'avance est très important en utilisant la toupie et peut faire la différence entre un travail réussi et un projet ruiné. La Fig. L indique le sens correct pour l'avance de la plupart des coupes.

1. Lorsque la toupie avance le long d'une bordure, le sens de sa course doit être à l'inverse de la rotation de la lame. Cela crée une action de coupe correcte et évite que la toupie ne se dérobe. Cela tire également la toupie vers la pièce de travail et le guide latéral ou le roulement de guide est moins susceptible de s'écarter de la bordure de la pièce de travail.

Vitesse d'avance

La vitesse à laquelle la lame avance dans le bois ne doit pas être trop rapide au point de ralentir le moteur, ni trop lente au point que la lame laisse des marques de brûlure sur le bois.

REMARQUE: Pratiquez le jugement de la vitesse en écoutant le bruit du moteur lorsque la toupie fonctio

Séquence de coupe d'entaille



AVERTISSEMENT: bloquez toujours le levier de blocage de la lame d'entaille lorsque vous utilisez la toupie.

1. Entaillez vers le bas et bloquez le chariot du moteur en poussant le bouton de déblocage rapide **(7)**.
2. Effectuez le travail de toupie voulu.
3. Poussez le levier de blocage de la lame d'entaille vers le bas **(6)** pour que le chariot du moteur revienne en position normale.

Utilisation d'un guide latéral

- (Fig. M)



ATTENTION: vérifiez que la position de travail est confortable et à une hauteur adaptée.

1. Vérifiez que les boulons papillon **(28)** sont complètement desserrés. Glissez les tiges de guidage **(26)** dans la base de la toupie **(10)** et serrez les boulons papillon.
2. Ajustez le bouton de réglage fin **(29)** à la distance requise et fixez le en place avec les boulons papillon **(28)**.
3. Abaissez ensuite la hauteur de la lame jusqu'à ce qu'elle se trouve au dessus de la pièce de travail.

4. Des réglages fins sont possibles en desserrant le boulon papillon (28) et en réglant le bouton de réglage fin du guide latéral (29).

5. Serrez le boulon papillon (28) pour bloquer la position.

REMARQUE: Un tour du bouton de réglage fin du guide latéral (29) est égal à 1,0 mm (3/64 po) d'avancée latérale.

6. Abaissez la lame sur la pièce de travail et réglez sa hauteur sur la distance voulue. Reportez vous à la section Régler la profondeur de la toupie.

7. Mettez la toupie en marche et, lorsque la lame a atteint sa pleine vitesse, abaissez la doucement dans la pièce de travail et bloquez la lame d'entaille.

8. Avancez le long de la pièce de travail, en maintenant une pression latérale pour assurer que le guide latéral ne s'écarte pas du bord de la pièce de travail et une pression vers le bas sur la main intérieure pour empêcher la toupie de basculer.

9. Lorsque vous avez terminé, relevez la toupie, fixez la avec le levier de blocage de lame d'entaille (6) et éteignez la toupie.

REMARQUE: En commençant la coupe, maintenez la pression sur la joue avant jusqu'à ce que la joue arrière soit en contact avec le bord de la pièce de travail.

REMARQUE: À la fin de la coupe, maintenez la pression sur la joue arrière jusqu'à ce que la coupe soit terminée. Cela empêche la lame de la toupie d'osciller à l'extrémité de la pièce de travail et de l'écorner.

Toupie à guide latéral - (Fig. I, J)

Le guide latéral sert à guider la toupie pour la moulure, le profilage de bordure ou la feuillure en bordure ou encore pour les rainures et encoches au centre de la pièce de travail, parallèles à la bordure.

Le bord de la pièce de travail doit être parfaitement rectiligne.

Les bandes (31) sont réglables et doivent idéalement être réglées avec un espace de 3 mm (1/8 po) de chaque côté de la lame.

Guidage avec règle

Quand l'utilisation d'un guide parallèle est exclue, il est possible de guider la défonceuse au moyen d'une règle fixée solidement sur la pièce à usiner (dépassant à ses deux extrémités).

Défonçage à la volée



AVERTISSEMENT: N'effectuez que des découpes superficielles ! Utilisez des fraises ayant un diamètre maxi de 12mm.

Votre défonceuse peut également être utilisée sans aucun système de guidage, pour les travaux créatifs ou d'écriture par exemple

Mode Plateau - (Fig. Q)

(T14E UNIQUEMENT)



AVERTISSEMENT: avant d'installer la T14 dans un plateau pour défonceuse, contrôlez que le plateau répond à toutes les exigences légales propres aux plateaux pour défonceuses. Veillez à lire tous les avertissements de sécurité, toutes les instructions et toutes les spécifications fournies avec le plateau pour défonceuse. Le non respect de toutes les instructions et de toutes les consignes de sécurité peut entraîner des décharges électriques, des incendies et/ou de graves blessures.



AVERTISSEMENT: afin de réduire le risque de grave blessure, éteignez la machine et débranchez la machine de la source d'alimentation électrique avant toute opération de réglage ou de retrait/ installation des équipements et des accessoires. Tout démarrage accidentel peut occasionner des blessures.



AVERTISSEMENT: n'utilisez pas la DWE627 comme un outil portatif lorsqu'elle est raccordée au boîtier de commutation électrique.



ATTENTION: supprimez toute la poussière présente dans la prise de l'interrupteur avant d'utiliser le boîtier de commutation électrique.

1. Pour raccorder le boîtier de commutation électrique (41) à la défonceuse, débranchez l'outil de sa source d'alimentation électrique.

2. Fixez le boîtier de commutation électrique (41) sur l'établi pour qu'il soit facilement accessible à la main mais qu'il ne puisse pas être actionné de façon accidentelle.

REMARQUE: Il est possible de fixer l'interrupteur externe sur le plateau pour défonceuse grâce aux quatre trous de fixation (42).

3. Le câble doit être installé et fixé de sorte qu'il ne puisse pas être écrasé et qu'il ne touche aucun bord tranchant.

4. Enfoncez le bouton de verrouillage (43) sur la poignée de gauche (44) avec un instrument non tranchant pour déverrouiller le capuchon de la poignée (40).

REMARQUE: Supprimez toute la poussière présente dans la prise de l'interrupteur avant d'utiliser le boîtier de commutation électrique.

5. Gardez le bouton de verrouillage (43) enfoncé et tournez le cache de la poignée (40) pour pouvoir accéder à la prise de l'interrupteur (46).

6. Veillez à ce que le l'interrupteur à palette du boîtier de commutation soit sur la position Arrêt avant de raccorder la prise de l'interrupteur.

7. Raccordez la fiche du boîtier de commutation (47) à la prise de l'interrupteur (46).

8. issez l'écrou (48) de la fiche du boîtier de commutation (47) dans la prise de l'interrupteur (46) pour la verrouiller en place.

9. Fixez le défonceuse sous l'établi, tel que nécessaire pour votre application ou tel que décrit dans la notice du plateau de la défonceuse (41).

10. Rebranchez l'outil à sa source d'alimentation électrique. Il est maintenant possible d'allumer ou d'éteindre la défonceuse en actionnant l'interrupteur (49) sur le boîtier de commutation électrique (42).


11. Tirez l'interrupteur (49) pour démarrer l'outil et enfoncez le pour l'éteindre.

Pose du réglage fin en hauteur pour le modèle T11 - (Fig. S1)

Le réglage fin en hauteur (remontée rapide) (61) pour le modèle T14 peut être utilisé en version portable ou quand la défonceuse est maintenue à l'envers sur une table. Si vous percez un trou d'accès de dimension appropriée dans le haut de la table de défonceuse, le réglage en hauteur est aussi possible par le dessus de la table.

Pour configurer le réglage fin en hauteur:

1. Faites plonger la défonceuse et verrouillez le levier vers le bas.
2. Faites pivoter l'écrou moleté (4) vers le bas jusqu'à l'approche du goujon avec les fourches de coulée de la défonceuse (62).
3. Alignez le socle de l'écrou moleté (4) de façon à l'engager dans les fourches (62).
4. Relâchez le levier de verrouillage de plongée.

 **ATTENTION:** N'utilisez pas de visseuse à moteur pour entraîner l'ensemble de remontée rapide T14. N'utilisez que la poignée fournie. Assurez-vous que le levier de verrouillage de plongée est déverrouillé. Ne forcez jamais pour faire pivoter le mécanisme de remontée rapide. Ne dévissez pas les vis Torx® sur les écrous hexagonaux.

Utilisation du T14 sans réglage fin de la hauteur - (Fig. S2)

Lors d'une utilisation portable, l'écrou moleté (4) doit être enroulé au sommet du goujon et serré à la main contre le capuchon hexagonal. La base de l'écrou moleté (4) doit être alignée avec les fourches (62) dans le boîtier de la toupie.



ATTENTION: En mode de plongée normal, assurez-vous que la base de l'écrou moleté est correctement alignée avec les fourches du carter moteur inférieur. Cela permettra au couteau de se rétracter dans la base en toute sécurité.

Pour utilisation portable

1. Placez la poignée de réglage fin en hauteur (61) sur l'écrou hexagonal supérieur de broche fileté (51).
2. Pivotez la poignée en sens horaire pour monter le corps du moteur et réduire la profondeur de la fraise.
3. Pivotez la poignée en sens antihoraire pour abaisser le corps du moteur et augmenter la profondeur de la fraise.

Pour utilisation sur une table à défonceuse - (Fig. S3)

1. Assurez-vous que la défonceuse est montée sur la table; voir page opposée.
2. Faites passer la poignée de réglage fin en hauteur (61) à travers le trou de fraise de la table de défonceuse sur l'écrou hexagonal inférieur de broche fileté (64).
3. Tournez la poignée en sens horaire pour relever le corps du moteur et la hauteur de la fraise.
4. Tournez la poignée en sens antihoraire pour abaisser le corps du moteur et la hauteur de la fraise.

Un tour correspond à 1,5mm. La molette de la poignée de réglage en hauteur (63) peut être remise à zéro.

Avant tout utilisation

1. Vérifier que la fraise est montée correctement dans la pince.
2. Régler la profondeur de coupe.
3. Raccorder un aspirateur de poussière.
4. Vérifier que le limiteur de plongée est bloqué avant de mettre la défonceuse en marche.

Utiliser la défonceuse avec des fraises pilotes - (Fig. R)

Lorsque la garde parallèle ou la douille de guidage ne sont pas adaptées, il est possible d'utiliser des fraises pilotes (50) pour façonner des bords.


Il s'agit notamment de mandrins (12 – 12,7 mm), d'un outil de réglage de la hauteur et d'un plateau pour utiliser la défonceuse à l'envers, d'outils pour l'aboutage ou l'assemblage à queue d'aronde, de gabarits pour l'assemblage à queue d'aronde, de supports de douille de guidage réglables et de douilles et de rails de guidage de différentes longueurs.

Points de montage de la base pour les accessoires - (Fig. N)

Cette toupie comporte trois trous filetés (53) intégrés dans la base, qui permettent de fixer les autres accessoires.

MAINTENANCE

Votre outil électrique a été conçu pour fonctionner longtemps avec un minimum de maintenance. Le fonctionnement continu et satisfaisant de l'outil dépendra d'une maintenance adéquate et d'un nettoyage régulier.

 **AVERTISSEMENT:** pour réduire tout risque de dommages corporels graves, arrêter et débrancher l'outil avant tout réglage ou avant de retirer ou installer toute pièce ou tout accessoire. Tout démarrage accidentel pourrait causer des dommages corporels.


Réparations


 **AVERTISSEMENT:** afin de garantir la SÛRETÉ et la FIABILITÉ du produit, les réparations, la maintenance et les réglages (et notamment, entre autres la réparation du cordon électrique et l'inspection et le remplacement des balais le cas échéant) ne doivent être réalisés que par le service après vente d'usine de Trend Tool Technology Ltd ou par un centre d'assistance agréé Trend Tool Technology Ltd. Veuillez à toujours utiliser des pièces détachées d'origine.

Lubrification

Votre outil électrique ne requiert aucune lubrification additionnelle.

Entretien

 **AVERTISSEMENT:** éliminer poussière et saleté du boîtier principal à l'aide d'air comprimé chaque fois que les orifices d'aération semblent s'encrasser. Porter systématiquement des lunettes de protection et un masque anti poussières homologués au cours de cette procédure.

 **AVERTISSEMENT:** ne jamais utiliser de solvants ou tout autre produit chimique décapant pour nettoyer les parties non métalliques de l'outil. Ces produits chimiques pourraient attaquer les matériaux utilisés. Utiliser un chiffon humidifié avec de l'eau et un savon doux. Protéger l'outil de tout liquide et n'immerger aucune de ses pièces dans aucun liquide.

Accessoires en option

 **AVERTISSEMENT:** les accessoires, autres que ceux proposés par Trend Tool Technology Ltd, n'ayant pas été testés avec ce produit, leur utilisation avec cet outil pourrait être dangereuse. Afin de réduire les risques de blessure, n'utilisez que les accessoires, Trend Tool Technology Ltd recommandés avec ce produit.

Contactez votre revendeur pour obtenir plus de précisions sur les accessoires appropriés.

Stockage

- Remettez l'outil dans son carton de rangement après usage.

PROTECTION DE L'ENVIRONNEMENT



Recyclez les matières premières plutôt que d'éliminer l'appareil comme déchet.

Les accessoires et l'emballage doivent être triés pour un recyclage respectueux de l'environnement.

Tri séparé. Ce produit ne doit pas être éliminé avec les ordures ménagères.

Utilisateur particulier

Les règlements locaux peuvent proposer une collecte séparée des produits électriques domestiques, en déchetteries ou chez le revendeur lors de l'achat d'un produit neuf. Appelez le service clientèle Trend pour obtenir des conseils sur la manière d'éliminer les produits électriques Trend qui ne servent plus dans le respect de l'environnement, ou visitez www.trend-uk.com

Utilisateurs professionnels

Appelez le service clientèle Trend pour l'élimination des produits électriques Trend qui ne servent plus.

GARANTIE

L'appareil est garanti par le constructeur conformément aux conditions de la carte de garantie jointe.

Pour connaître l'adresse de votre agent de service après-vente Trend le plus proche, appelez le service clientèle Trend ou consultez notre outil de recherche de revendeur à l'adresse www.trend-uk.com

NL - T12 & T14

Bedankt voor de aankoop van dit Trend Tool Technology Ltd product. Wij hopen dat u het vele jaren creatief en productief gaat gebruiken.

Gelieve de garantiekaart binnen 28 dagen na aankoop in te sturen.

TECHNISCHE GEGEVENS

		T12E	T14E
Spanning	V AC	230	230
Type		1	1
Opgenomen vermogen	W	2300	2300
Onbelaste snelheid	min 1	9000 22000	9000 22000
Bovenfreeswagen	mm	2 column	2 column
Slag bovenfreeswagen (in de draagbare stand)	mm	50	50
Max. freesdiameter (Stand freestafel)	mm	50	86
Spantangformaat voor Europa	mm	12	12
Spantang voor UK en ROI	inch	1/2	1/2
Gewicht	kg	6.4	6.5
Geluidswaarden en/of vibratiewaarden (triax-vectorsom) volgen EN62841 2 17.			
L _{PA} (emissie geluidsdrukniveau)	dB(A)	95,1	95,1
L _{WA} (geluidsvermogensniveau)	dB(A)	106,1	106,1
K (onzekerheid voor het gegeven geluidsniveau)	dB(A)	2,5	2,5
Trillingsemisiewaarde a _{h,hv} =	m/s ²	3,1	3,1
Onzekerheid K =	m/s ²	0,31	0,31

Het vibratie-en/of lawaai emissieniveau dat in dit informatieblad wordt gegeven, is gemeten in overeenstemming met een gestandaardiseerde test die wordt gegeven in EN62841 en u kunt ermee het ene gereedschap met het andere vergelijken. Het kan worden gebruikt voor een eerste inschatting van blootstelling.



WAARSCHUWING: Het verklaarde vibratie- en/of lawaai emissieniveau geldt voor de hoofdtoepassingen van het gereedschap. Als het gereedschap echter voor andere toepassingen wordt gebruikt, dan wel met andere accessoires of slecht wordt onderhouden, kan de vibratie- en/of lawaai emissie verschillen. Dit kan het blootstellingsniveau aanzienlijk verhogen gedurende de totale werkperiode.

Een inschatting van het blootstellingsniveau aan vibratie en/of lawaai moet ook worden overwogen wanneer het gereedschap wordt uitgeschakeld of als het aan staat maar geen daadwerkelijke werkzaamheden uitvoert. Dit kan het blootstellingsniveau aanzienlijk verminderen gedurende de totale arbeidsduur. Kijk naar aanvullende veiligheidsmaatregelen voor het beschermen van de gebruiker tegen de effecten of vibratie en/of lawaai, zoals: onderhoud het gereedschap en de accessoires goed, houd de handen warm (relevant voor vibraties), organisatie van werkpatronen.

EG CONFORMITEITSVERKLARING

MACHINERICHTLIJN



T12E & T14E

Invalfreesmachine

Trend Tool Technology Ltd verklaren dat de producten die worden beschreven onder Technische Gegevens voldoen aan: 2006/42/EC, EN 62841-1:2015 + AC:2015; EN 62841-2-17:2017.

Deze producten voldoen ook aan Richtlijn 2014/30/EU en 2011/65/EU. Neem voor meer informatie contact op met Trend Tool Technology Ltd op het volgende adres, of kijk op de achterzijde van deze handleiding.

Ondergetekende is verantwoordelijk voor de compilatie van het technische bestand en doet deze verklaring namens Trend Tool Technology Ltd.

Neil McMillan
Technical Director

Trend Tool Technology Ltd
Unit 6 Odhams Trading Estate
St Albans Road, Watford
Herts, WD24 7TR
United Kingdom

01/11/21

Technisch dossier

Contact

Trend Tool Technology Ltd
3rd Floor, Kilmore House,
Park Lane, Spencer Dock,
Dublin 1, Ireland



WAARSCHUWING: Lees de handleiding om het risico op letsel te verminderen.

Definities: Veiligheidsrichtlijnen

De definities hieronder beschrijven de ernstgraad voor elk signaalwoord. Gelieve de handleiding te lezen en op deze symbolen te letten.



GEVAAR: Wijst op een dreigende gevaarlijke situatie die, indien niet vermeden, **zal leiden tot de dood of ernstige verwondingen.**



WAARSCHUWING: Wijst op een mogelijk gevaarlijke situatie die, indien niet vermeden, **zou kunnen leiden tot de dood of ernstige letsels.**



VOORZICHTIG: Wijst op een mogelijk gevaarlijke situatie die, indien niet vermeden, **kan leiden tot kleine of matige letsels.**



OPMERKING: Geeft een handeling aan waarbij geen persoonlijk letsel optreedt die, indien niet voorkomen, **schade aan goederen kan veroorzaken**



Wijst op risico van een elektrische schok.



Wijst op brandgevaar.



ALGEMENE VEILIGHEIDSWAARSCHUWINGEN VOOR ELEKTRISCH GEREEDSCHAP



WAARSCHUWING: Lees alle veiligheidswaarschuwingen, gebruiksaanwijzingen, illustraties en specificaties die met deze machine zijn meegeleverd. Het niet opvolgen van onderstaande aanwijzingen kan leiden tot elektrische schokken, brand en/of ernstig letsel.

BEWAAR ALLE WAARSCHUWINGEN EN INSTRUCTIES ALS TOEKOMSTIG REFERENTIEMATERIAAL.

De term „elektrisch gereedschap“ in de waarschuwingen verwijst naar uw (met een snoer) op de netspanning aangesloten elektrische gereedschap of naar (draadloos) elektrisch gereedschap met een accu.

beheersing van het gereedschap in onverwachte situaties onmogelijk.

1) Veiligheid Werkplaats

a) Houd het werkgebied schoon en goed verlicht. Rommelige of donkere gebieden zorgen voor ongelukken.

b) Bedien elektrische gereedschappen niet in een explosieve omgeving, zoals in de nabijheid

van ontvlambare vloeistoffen, gassen of stof.

Elektrische gereedschappen veroorzaken vonken die het stof of de dampen kunnen doen ontbranden.

c) Houd kinderen en omstanders op een afstand terwijl u een elektrisch gereedschap bedient. Als u wordt afgeleid kunt u de controle over het gereedschap verliezen.

2) Elektrische Veiligheid

a) Stekkers van elektrisch gereedschap moeten in het stopcontact passen. Pas de stekker nooit op enige manier aan. Gebruik geen adapterstekkers samen met geaard elektrisch gereedschap.

Niet aangepaste stekkers en passende contactdozen verminderen het risico op een elektrische schok.

b) Vermijd lichamelijk contact met geaarde oppervlaktes zoals buizen, radiatoren, fornuizen en ijskasten. Er bestaat een verhoogd risico op een elektrische schok als uw lichaam geaard is.

c) Stel elektrisch gereedschap niet bloot aan regen of natte omstandigheden. Als er water in een elektrisch gereedschap terecht komt, verhoogt dit het risico op een elektrische schok.

d) Behandel het stroomsnoer voorzichtig. Gebruik het stroomsnoer nooit om het elektrische gereedschap te dragen of te trekken, of de stekker uit het stopcontact te halen. Houd het snoer uit de buurt van warmte, olie, scherpe randen, of bewegende onderdelen. Beschadigde snoeren of snoeren die in de war zijn verhogen het risico op een elektrische schok.

e) Als u een elektrisch gereedschap buitenshuis gebruikt, gebruikt u een verlengsnoer dat geschikt is voor gebruik buitenshuis. Het gebruik van een verlengsnoer dat geschikt is voor buitenshuis, vermindert het risico op een elektrische schok.

f) Als het gebruik van een elektrisch gereedschap op een vochtige locatie onvermijdelijk is, gebruikt u een stroomvoorziening die beveiligd is met een aardlekschakelaar. Het gebruik van een aardlekschakelaar vermindert het risico op een elektrische schok.

3) Persoonlijke Veiligheid

a) Blijf alert, kijk wat u doet en gebruik uw gezonde verstand als u een elektrisch gereedschap bedient. Gebruik het gereedschap niet als u vermoeid bent of onder de invloed van drugs, alcohol of medicatie bent. Een moment van onoplettendheid tijdens het bedienen van elektrische gereedschappen kan leiden tot ernstig persoonlijk letsel.

b) Gebruik een beschermende uitrusting. Draag altijd oogbescherming. Beschermende uitrusting zoals een stofmasker, antislip veiligheidsschoenen, een helm, of gehoorbescherming gebruikt in de juiste

omstandigheden zal het risico op persoonlijk letsel verminderen.

c) Vermijd onbedoeld starten. Zorg ervoor dat de schakelaar in de ,off' (uit) stand staat voordat u het gereedschap aansluit op de stroombron en/of accu, het oppakt of ronddraagt. Het rondragen van elektrische gereedschappen met uw vinger op de schakelaar of het aanzetten van elektrische gereedschappen waarvan de schakelaar aan staat, zorgt voor ongelukken.

d) Verwijder alle stelsleutels of moersleutels voordat u het elektrische gereedschap aan zet. Een moersleutel of stelsleutel die in een ronddraaiend onderdeel van het elektrische gereedschap is achtergelaten kan leiden tot persoonlijk letsel.

e) Rek u niet te ver uit. Blijf altijd stevig en in balans op de grond staan. Dit zorgt voor betere controle van het elektrische gereedschap in onverwachte situaties.

f) Draag geschikte kleding. Draag geen loszittende kleding of sieraden. Houd uw haar, kleding en handschoenen uit de buurt van bewegende onderdelen. Loszittende kleding, sieraden of lang haar kunnen door bewegende delen worden gegrepen.

g) Als er in apparaten wordt voorzien voor het aansluiten van stofverwijdering of verzamelapparatuur, zorg er dan voor dat deze correct worden aangesloten en gebruikt. Het gebruik van een stofverzamelaar kan aan stof gerelateerde gevaren verminderen.

h) Denk niet dat u, doordat u het gereedschap veel hebt gebruikt, het allemaal wel weet en dat u de veiligheidsbeginselen kunt negeren. Een onvoorzichtige actie kan in een fractie van een seconde ernstig letsel tot gevolg hebben.

4) Gebruik en Verzorging van Elektrisch Gereedschap

a) Forceer het gereedschap niet. Gebruik het juiste elektrische gereedschap voor uw toepassing. Het juiste elektrische gereedschap voert de werkzaamheden beter en veiliger uit waarvoor het is ontworpen.

b) Gebruik het gereedschap niet als de schakelaar het niet aan en uit kan zetten. Ieder gereedschap dat niet met de schakelaar kan worden bediend is gevaarlijk en moet worden gerepareerd.

c) Trek de stekker uit het stopcontact en/of neem de accu, als deze kan worden losgenomen, uit het elektrisch gereedschap en voer daarna pas aanpassingen uit, wissel daarna pas accessoires of berg daarna pas het gereedschap op. Dergelijke preventieve veiligheidsmaatregelen verminderen het risico dat het elektrisch gereedschap per ongeluk opstart.

d) Bewaar gereedschap dat niet wordt gebruikt buiten het bereik van kinderen en laat niet toe dat personen die onbekend zijn met het elektrische gereedschap of deze instructies het gereedschap bedienen. Elektrische gereedschappen zijn gevaarlijk in handen van ongetrainde gebruikers.

e) Onderhoud elektrische gereedschappen. Controleer op verkeerde uitlijning en het grijpen van bewegende onderdelen, breuk van onderdelen en andere omstandigheden die de werking van het gereedschap nadelig kunnen beïnvloeden. Zorg dat het gereedschap voor gebruik wordt gerepareerd als het beschadigd is. Veel ongelukken worden veroorzaakt door slecht onderhouden gereedschap.

f) Houd snijgereedschap scherp en schoon. Correct onderhouden snijgereedschappen met scherpe snijdranden lopen minder snel vast en zijn gemakkelijker te beheersen.

g) Gebruik het elektrische gereedschap, de accessoires en gereedschapsonderdelen enz. in overeenstemming met deze instructies, waarbij u rekening houdt met de werkomstandigheden en de werkzaamheden die dienen te worden uitgevoerd. Gebruik van het elektrische gereedschap voor werkzaamheden die anders zijn dan het bedoelde gebruik, kunnen leiden tot een gevaarlijke situatie.

h) Houd de handgrepen en oppervlakken die u beet pakt, droog, schoon en vrij van olie en vet. Door gladde handgrepen en oppervlakken die u beet pakt, kan veilig werken en bedienen van het gereedschap in onverwachte situaties onmogelijk worden.

5) Service

a) Zorg dat u gereedschap wordt onderhouden door een erkende reparateur die uitsluitend identieke vervangende onderdelen gebruikt. Dit zorgt ervoor dat de veiligheid van het gereedschap blijft gegarandeerd.

Veiligheidsinstructies voor freesmachines

a) Houd het elektrisch gereedschap uitsluitend vast bij de geïsoleerde handgrepen, omdat de schaaft het eigen snoer kan raken. Het beschadigen van een draad waar spanning op staat, kan onafgeschermd delen van het elektrisch gereedschap onder stroom zetten en de gebruiker een elektrische schok geven.

b) Zet het werkstuk met klemmen of op een andere praktische manier vast en ondersteun het op een stabiele ondergrond. Wanneer u het werkstuk vasthoudt met de hand of tegen het lichaam gedrukt houdt, kan het instabiel worden en kunt u de controle verliezen.

c) Houd de handvatten droog, schoon en vrij van olie en vet. U heeft dan een betere controle over het gereedschap.

d) Houd het gereedschap met beide handen in een stevige greep zodat u weerstand kunnen bieden aan de krachten aan het begin van het werk.

Houd te allen tijde het gereedschap in een stevige greep tijdens de werkzaamheden.

e) Houd uw handen verwijderd van het werkgebied boven en onder de grondplaat. Reik nooit om welke reden dan ook onder het werkstuk. Houd tijdens het frezen de grondplaat van de bovenfrees stevig in contact met het werkstuk.

f) Raak de beitel nooit aan direct na gebruik. Deze kan heel erg heet zijn.

g) Controleer dat de motor volledig tot stilstand is gekomen voordat u de frees neerlegt. Als de beitel nog draait wanneer het gereedschap wordt neergelegd, kan dat leiden tot letsel of schade.

h) Zorg ervoor dat de beitel het werkstuk niet aanraakt voordat u de motor start. Als de freesbit het werkstuk raakt wanneer de motor start, kan dat de bovenfrees doen wegspringen, wat materiële schade en letsel kan veroorzaken.

i) Het toegestane toerental van het freesbit moet tenminste gelijk zijn aan het maximale toerental dat op het gereedschap staat vermeld. Als freesbits sneller draaien dan hun nominale toerental, dan kunnen ze in stukken breken en deze stukken kunnen worden weggeslingerd.

j) Volg altijd de aanbevelingen voor de snelheid van de fabrikant, sommige freesbits zijn ontworpen voor een bepaalde snelheid, voor uw veiligheid of optimale prestaties. Neem contact op met de fabrikant van de freesbit, als u niet precies weet wat de juiste snelheid is of als u op een probleem stuit.

k) Gebruik geen freesbits die groter zijn dan 50 mm (2"), tenzij de freesmachine is gemonteerd op een freestafel.

Gebruik in dit gereedschap geen freesbits met een diameter van meer dan 86mm (3 3/8").

OVERIGE RISICO'S



WAARSCHUWING: Wij adviseren een aardlekschakelaar met een reststroomwaarde van 30mA of minder te gebruiken.

Ondanks het toepassen van de relevante veiligheidsvoorschriften en het toepassen van veiligheidsapparaten kunnen sommige overige risico's niet worden vermeden. Dit zijn:

- Gehoorbeschadiging .
- Risico op persoonlijk letsel door rondvliegende deeltjes.

• Risico van brandwonden omdat accessoires tijdens het gebruik heet worden.

• Risico van persoonlijk letsel als gevolg van langdurig gebruik.

BEWAAR DEZE GEBRUIKSAANWIJZING



Elektrische veiligheid

De elektrische motor is slechts voor één voltage ontworpen. Controleer altijd dat de stroomvoorziening overeenkomt met de aanduiding van de spanning op het typeplaatje.



De elektrische motor is slechts voor één voltage ontworpen. Controleer altijd dat de stroomvoorziening overeenkomt met de aanduiding van de spanning op het typeplaatje.

Dit gereedschap van Trend Tool Technology Ltd is dubbel geïsoleerd in overeenstemming met EN62841; daarom is een aardedraad niet vereist. Het is de bedoeling dat de T12 (115V) wordt gebruikt met een veiligheidstransformator die is vervaardigd volgens BS EN61558 en BS 4343. Werk nooit als deze transformator niet is geplaatst.

Als het netsnoer is beschadigd mag het alleen worden vervangen door Trend Tool Technology Ltd of een erkende service organisatie.

Een verlengsnoer gebruiken

Gebruik, als een verlengsnoer nodig is, een goedgekeurd 3 adrig verlengsnoer dat geschikt is voor de stroomvoorziening van dit gereedschap (zie Technische Gegevens). Het minimale formaat van de geleider is 1,5 mm²; de maximale lengte is 30 m.

Rol het snoer altijd volledig af, wanneer u een haspel gebruikt.

Inhoud van de verpakking

De verpakking bevat:

- 1 x Freesmachine
- 1 x Spantang 1/2" UK & ROI (12mm EU)
- 1 x Parallele langsgleiding
- 2 x Geleidestangen
- 1 x Geleidebus (30 mm)
- 1 x 22 mm steeksleutel
- 1 x Buis voor stofafzuiging
- 1 x Schakelkast op afstand (alleen T14)
- 1 x Instructiehandleiding
- 1 x Knop van de precisie diepte-instelling (Alleen T14)

• Controleer het gereedschap, de onderdelen of accessoires op eventuele beschadiging tijdens het transport.

- Neem de tijd om deze handleiding grondig door te lezen en te begrijpen voor u het gereedschap in gebruik neemt

Markering op het gereedschap

De volgende pictogrammen staan op het gereedschap vermeld:



Lees gebruiksaanwijzing voor gebruik.



Draag gehoorbescherming.



Draag oogbescherming.



Zichtbare straling. Staar niet in het licht.

Positie Datumcode - (Fig. A)

De datumcode (**56**), die ook het jaar van fabricage omvat, is in de behuizing afgedrukt.

Voorbeeld:

2021 XX XX

Productiejaar en -week

Beschrijving - (Fig. A)



WAARSCHUWING: Pas het gereedschap of een onderdeel ervan nooit aan. Dit kan schade of persoonlijk letsel tot gevolg hebben.

1. Snelheidsregelwiel
2. Hoofdhandgrepen
3. Aan/Uit schakelaar
4. Duimwiel
5. Hoogtestopstang
6. Hendel vergrendeling invalfreesen
7. Snelvrijgaveknop
8. Asvergrendelingsknop
9. Spantang
10. Grondplaat
11. Revolverkopstop met meerdere posities
12. Diepteaanslagbalk
13. Steeksleutel 22mm
14. Ring voor reset naar nul
15. Vergrendeling snelle hoogteaanpassing
16. Snelle hoogteaanpassing
17. Aanwijzer
18. Fijnafstelling
19. Ring voor reset naar nul
20. Schakelaar knop vergrendeling in de aan stand

Bedoeld gebruik

De bovenfreesen van het type T12 en T14 zijn ontworpen voor zware toepassingen op het gebied van professioneel frezen van hout, houtproducten en kunststoffen.

Deze freesmachines zijn bedoeld voor het frezen van groeven, randen, profielen en sleuven maar ook voor het kopiëren van freeswerk.

NIET te gebruiken onder natte omstandigheden of op een plaats waar brandbare vloeistoffen of gasen zijn.

De T12 en T14 zijn professioneel elektrisch gereedschap.

De T14 is zo ontworpen dat de machine in een freestafel kan worden geplaatst. De freesmachine mag alleen worden geplaatst in tafels die voldoen aan de wettelijke veiligheidseisen voor freestafels.

Laat **NIET** kinderen in contact met het gereedschap komen. Toezicht is vereist als onervaren gebruikers met dit gereedschap werken.

- **Jonge kinderen en personen met een zwakke gezondheid.** Dit apparaat is niet bedoeld voor gebruik door jonge kinderen en personen met een zwakke gezondheid, zonder toezicht.
- Dit product is niet bedoeld voor gebruik door personen (waaronder kinderen) die verminderde fysieke, zintuiglijke of psychische mogelijkheden hebben; wanneer sprake is van gebrek aan ervaring, kennis of vaardigheden is gebruik alleen toegestaan onder toezicht van een persoon die verantwoordelijk is voor de veiligheid van gebruikers. Laat nooit kinderen alleen met dit product.



VOORZICHTIG: Lees de volgende paragrafen voordat u één van de bedieningsfuncties gebruikt.

Automatische vergrendeling van de invalfunctie (Fig. B1-B4)

1. Hendel (**6**) in stand 0 (11 uur)

De invalfunctie is automatisch vergrendeld, de frees kan niet naar beneden bewegen.

2. Hendel (**6**) stand 1 (1 uur)

Als de hendel in deze stand wordt gehouden is de automatische vergrendeling tijdelijk uitgeschakeld. De frees kan naar beneden bewegen. Als de hendel wordt losgelaten wordt de huidige invaldiepte vergrendeld.

Dit is perfect voor het snel verplaatsen van de frees, en instellen op het oppervlak bij gebruik van een freesmal.

3. Hendel (**6**) in stand 2 (2 uur)

Verdraai de hendel tot u een klik hoort. De automatische vergrendeling is nu uitgeschakeld. De frees kan vrij naar boven en beneden bewegen, zo kunt u de invaldiepte naar wens instellen.

Dit is perfect voor het nauwkeurig positioneren van de frees, en het instellen van de diepteaanslag.

4. Resetknop (**7**)

Schakelt de automatische vergrendeling weer in, en stelt de hendel terug naar stand 0.

De hendel van de invalfunctie is zelfborgend: trilling door zware belasting is niet van invloed op de nauwkeurigheid van de dieptEinstelling.

Spantangen - (Fig. C)



WAARSCHUWING: Gevaar van wegslingeren. Gebruik alleen bits met een schacht die past bij de geplaatste spantang. Bits met een kleinere schacht zullen niet goed vast komen te zitten en kunnen losraken tijdens gebruik.



VOORZICHTIG: Zet nooit de spantang vast zonder er eerst een freesbit in te plaatsen. Wanneer u een lege spantang vastzet, kan de spantang beschadigd raken, zelfs als u dat met de hand doet.

Er worden een spantang bij de freesmachine geleverd.

- 12 mm: Europa
- 1/2": Groot Brittannië

1. U kunt spantangen vervangen (35) door de spantang als geheel (9) los te schroeven.
2. Trek de oude spantang met een stevige ruk uit de spantangoeder (36) en zet de nieuwe spantang (35) in.
3. Duw de nieuwe spantang stevig aan zodat deze voorbij de borgveer in de spantangoeder klikt.

Revolverkopstop met meerdere posities - (Fig. E)



WAARSCHUWING: Vervang de revolverkopstop niet terwijl de bovenfrees loopt. U komt dan met uw handen te dicht bij de freeskop.

De revolverkopstop (11) beperkt de afstand die het gereedschap in neerwaartse richting kan afleggen. De stop bestaat uit drie schroeven van verschillende lengte waarmee de freesdiepte kan worden bepaald doordat het bereik van de diepteaanslagbalk (12) wordt beperkt.

1. U kunt de freesdiepte instellen door de schroef van de juiste lengte op de revolverkop te selecteren.
2. De revolverkop kan worden gedraaid met vaste posities, zodat de schroeven goed kunnen worden uitgelijnd.
3. Het is de onderlinge werking van de diepteaanslagbalk en de revolverkopstop die de freesdiepte bepaalt.
4. Als geen van de geleverde schroeven in de buurt van de gewenste hoogte lijkt te zijn, kunt u elk ervan afstellen door de zeskantmoer aan de onderzijde los te draaien en de schroef in-of uit te draaien naar de juiste lengte. Denk er wel aan de zeskantmoer aan de onderzijde vast te zetten met de 8 mm steeksleutel (55) nadat u deze schroef hebt afgesteld.

5. Zie het gedeelte De freesdiepte instellen voor instructies voor het gebruik van de revolverkopstop in een concrete werksituatie.

Hoogtestopstang en hoogtestop duimwiel - (Fig. G)

De hoogtestopstang (5) en het duimwiel (4) beperken de hoogte tot waar de unit kan komen op de rails. U kunt het systeem afstellen van geheel omlaag waar de unit niet omhoog kan komen ongeacht de positie van de hendel vrijgave invalfreesen, tot volledig omhoog waar de onderzijde van de spantang zich 80 mm boven het werkstuk bevindt.

OPMERKING: Het is gemakkelijker het hoogtestop duimwiel **OMHOOG** te verplaatsen als de hendel vrijgave invalfreesen is vergrendeld, en het is gemakkelijker het duimwiel omlaag te verplaatsen als de unit eerst met de hendel vrijgave invalfreesen is losgezet, waarna u deze weer vastzet.

MONTAGE EN AANPASSINGEN



WAARSCHUWING: Om het gevaar op ernstig persoonlijk letsel te verminderen, zet u het gereedschap uit en ontkoppelt u het van de stroomvoorziening, voordat u enige aanpassing maakt of hulpstukken of accessoires verwijdert/installeert. Het onbedoeld opstarten kan letsel veroorzaken.

Een frees plaatsen en uitnemen - (Fig. C, F)



WAARSCHUWING: Zet de spantang niet vast zonder dat er een freesbit inzit.



WAARSCHUWING: Gebruik altijd freesbits met een schacht die overeenkomt met de diameter van de spantang.



WAARSCHUWING: Gebruik geen freesbits die groter zijn dan 50 mm (2"), tenzij de freesmachine is gemonteerd op een freestafel.



VOORZICHTIG: Ga voorzichtig te werk wanneer u een freesbit uitneemt, zodat u niet uw vingers verwondt.

Een freesbit plaatsen

1. Steek ten minste driekwart van de lengte van de schacht van de freesbit in de spantang (9).
2. Druk de asvergrendeling (8) naar voren tot de as van de freesmachine is vergrendeld.

OPMERKING: Misschien moet u de as wat draaien zodat deze inklikt.

3. Draai de spantangmoer **(45)** naar links vast met de meegeleverde steeksleutel van 22mm **(13)**.

De freesbit uitnemen

1. Druk de knop van de asvergrendeling **(8)** naar voren tot de as van de freesmachine is vergrendeld.

2. Draai de spantangmoer **(9)** naar rechts los met de meegeleverde steeksleutel van 22 mm **(13)**.

3. Blijf draaien tot de moer van de spantang vastzit en dan weer loskomt. Dit is het veilige mechanisme voor het losmaken van de spantang.

4. De freesbit moet nu uit de spantang glijden.

OPMERKING: Verwijder een freesbit steeds na gebruik en berg de bit op een veilige plaats op.

Fijnafstelling van de hoogte - (Fig. A, D, E)



VOORZICHTIG: Controleer dat de hendel vergrendeling invalfreesen is ontgrendeld. Gebruik nooit te veel kracht voor het draaien van het mechanisme van de fijnafstelling van de hoogte.



VOORZICHTIG: Verwijder niet de schroef uit de zeskantmoeren.

De fijnafstelling van de hoogte kan worden gebruikt in de draagbare stand maar ook wanneer de freesmachine in een tafel is gemonteerd.

De freesdiepte aanpassen - (Fig. A, D, E)

De freesmachine is voorzien van een zeer nauwkeurig systeem voor de diepteafstelling, dat onder meer een ring voor reset naar nul voor zowel de snelafstelling als voor de fijnafstelling van de hoogte omvat.

Snelafstelling met gradering met de ring voor reset naar nul

1. Maak de vergrendeling **(15)** voor snelafstelling van de hoogte los.

2. Ontgrendel de begrenzing voor invalfreesen door de hendel vergrendeling invalfreesen **(6)** omlaag te duwen.

3. Breng de bovenfreeswagen omlaag tot de frees het werkstuk raakt.

4. Druk op de snelvergrendelknop **(7)**.

5. Zet de snelle hoogtafstelling **(16)** op nul en reset de ring voor de fijnafstelling **(19)** naar nul. De diepteaanslagbalk **(12)** moet contact maken met de revolverkopstap **(11)**.

6. Stel de freesdiepte af met de snelle hoogtafstelling **(16)** en de bijbehorende gradering. De afgestelde freesdiepte wordt aangeduid met de aanwijzer **(17)**.

7. Maak de vergrendeling **(15)** voor snelafstelling van de hoogte vast.

Fijnafstelling

Wanneer u niet een dieptesjabloon gebruikt of als de freesdiepte weer moet worden aangepast, kunt u het beste de fijnafstelling gebruiken **(18)**.

1. Stel de freesdiepte af volgens de beschrijving in De freesdiepte afstellen.

2. Zet de fijnafstelling voor de hoogte op nul met de ring voor reset naar nul **(19)**

3. Draai de fijnafstelling voor de hoogte **(18)** naar de gevraagde positie: één keer draaien komt ongeveer overeen met 1 mm en 1 merkteken met 0,1 mm.

Monteren van de kopieerring en de binnenplaat - (Fig. H)

Deze bovenfreesen hebben een uniek systeem voor het uitlijnen van de kopieerring. Dit verzekert dat de kopieerring perfect concentrisch is met de frees en nauwkeurig werk verzekerd is.

1. Keer de bovenfrees om.

2. Monteer de binnenplaat **(58)** in de inkeping in de voetplaat van de bovenfrees **(10)**. T12: de busen van de binnenplaat moeten naar de freesmotor toe wijzen. T14: de verhoogde rand van de binnenplaat moet van de voetplaat af wijzen. Schroef de twee schroeven met cilinderkop **(59)** losjes door de binnenplaat en in de taggaten. **DRAAI DE SCHROEVEN NOG NIET AAN.**

3. Monteer de 30mm kopieerring **(24)** op de binnenplaat **(58)**. Bevestig de kopieerring met de twee M5 schroeven met verzonken kop **(25)**. Draai deze schroeven aan.

4. De uitlijnen **(60)** is getrapd, voor 12mm en ." **(9)** spantangen. (Bij een ." spantang duwt u de uitlijnen dieper in de ." spantang).

5. Plaats de uitlijnen **(60)** in de ." **(9)** of 12mm spantang van de bovenfrees. Draai de moer van de spantang dan licht aan om de uitlijnen **(60)** vast te houden.

6. Zet de vergrendeling los, en duw de voetplaat voorzichtig naar beneden tot de uitlijnen **(60)** door de 30mm kopieerring **(24)** heen steekt.

7. Als de kopieerring is uitgelijnd draait u de cilinderkopschroeven **(59)** aan met een schroevendraaier.

De Parallele Langsgeleiding monteren - (Fig. I, J)

1. Monteer de geleidestang **(26)** op de grondplaat van de bovenfrees **(10)**.

2. Schuif de parallelle langsgleiding (27) over de stangen.
3. Draai de vleugelbouten (28) tijdelijk aan.

De parallelle langsgleiding afstellen - (Fig. A, I, J)

1. Teken een zaaglijn op het materiaal.
2. Breng de bovenfreeswagen omlaag tot de frees het werkstuk raakt.
3. Duw op de snelvrijgaveknop (7) en beperk het retourbereik van de wagen met het duimwiel (4).
4. Plaats de bovenfrees op de zaaglijn.
5. Schuif de parallelle langsgleiding (27) tegen het werkstuk en zet de vleugelbouten (28) vast.
6. Stel de parallelle langsgleiding af met behulp van de fijnafstellingsknop (29). De buitenste zaagrand van de bovenfrees moet samenvallen met de zaaglijn.
7. Draai, als dat nodig is, de schroeven (30) los en stel de stroken (31) af op de gewenste geleidingslengte.

Stofafzuiging - (Fig. A, K, P)

Stof van materialen zoals verf met lood en sommige soorten hout zijn schadelijk voor uw gezondheid. Inademen van deze stoffen kan een allergische reactie veroorzaken en/of luchtweginfecties veroorzaken bij de gebruiker of omstanders.

Bepaald stof, zoals dat van eikenhout of beukenhout, wordt als kankerverwekkend beschouwd, vooral in combinatie met additieven voor houtbehandeling.

Neem de in uw land geldende voorschriften in acht voor de materialen waarmee u werkt.

De stofzuiger moet geschikt zijn voor het materiaal waarmee u werkt.

Gebruik een speciale klasse M stofzuiger wanneer u droog stof opzuigt dat erg schadelijk voor de gezondheid of kankerverwekkend is.

Adapter voor stofafzuiging - (Fig. K)

Het adapter voor de stofafzuiging bestaat uit een hoofdgedeelte (32), een afdekking (33), een adapter voor de buis voor stofafzuiging (34), één schroef (37) van de buis voor stofafzuiging, twee basisschroeven (52) en twee moeren (53).

1. Schuif de afdekking (33) op het hoofdgedeelte (32) tot deze op z'n plaats klikt.
2. Plaats het hoofdgedeelte (32) op de basis en zet deze vast met twee schroeven (52) en moeren (53).
3. Verwijder de schroef (37) van de bovenzijde van de freesmachine en zet met behulp van deze schroef het adapter van de buis voor stofafzuiging (34) op de freesmachine.

Stofafzuiging aansluiten - (Fig. P)



WAARSCHUWING: Risico van het inademen van stof. Beperk het risico van persoonlijk letsel, draag **ALTIJD** een goedgekeurd stofmasker.



WAARSCHUWING: Gebruik **ALTIJD** stofafzuiging die ontworpen is in overeenstemming met de van toepassing zijnde richtlijnen voor stofemissie bij het zagen van hout. Slangen van de meeste gewone stofzuigers passen rechtstreeks in de poort voor stofafzuiging.

Sluit een slang voor de stofafzuiging (38) aan op de stofafzuigingsadapter (34).

OPMERKING: Let er op dat, wanneer u een systeem voor stofafzuiging gebruikt, de stofzuiger niet in de weg staat, niet kan omvallen en niet de werking van de freesmachine of het werkstuk kan belemmeren. De slang voor stofafzuiging en het netsnoer moeten ook zo worden geplaatst dat zij de werking van de freesmachine of het werkstuk niet belemmeren. Als de stofzuiger of de slang voor de stofafzuiging niet goed kunnen worden geplaatst, moet u ze verwijderen.

BEDIENING



Instructies voor gebruik



WAARSCHUWING: Houd u altijd aan de veiligheidsinstructies en van toepassing zijnde voorschriften.



WAARSCHUWING: Om het gevaar op ernstig persoonlijk letsel te verminderen, zet u het gereedschap uit en ontkoppelt u het van de stroomvoorziening, voordat u enige aanpassing maakt of hulpstukken of accessoires verwijdt/installeert. Het onbedoeld opstarten kan letsel veroorzaken.

Juiste handpositie (Fig. O)



WAARSCHUWING: Beperk het risico op ernstig persoonlijk letsel, plaats **ALTIJD** uw handen in de juiste positie, zoals afgebeeld.



WAARSCHUWING: Beperk het risico op ernstig persoonlijk letsel, houd het gereedschap **ALTIJD** stevig vast, zodat u bent voorbereid op een plotselinge terugslag.

Voor de juiste handpositie zet u beide handen op de hoofdhandgrepen (2).

Using the Router - (Fig. A, L)



VOORZICHTIG: Schakel de bovenfrees in voordat u de freesbit in het werkstuk steekt.



CAUTION: Turn the router on before plunging the cutter head into the workpiece.



VOORZICHTIG:

- Al te zware freeswerkzaamheden kunnen de motor overbelasten of moeilijkheden geven bij het controleren van het gereedschap, de freesdiepte mag niet meer dan 15 mm zijn, wanneer u groeven freest met een freesbit met een diameter van 8 mm.
- Wanneer u groeven freest met een freesbit van 20 mm, mag de freesdiepte niet meer zijn dan 5 mm per bewerking.
- Voer twee of meer bewerkingen uit met steeds diepere instellingen voor de freesbit wanneer u extra diepe groeven wilt maken.



VOORZICHTIG: Laat, wanneer u langer achtereen bij lagere snelheden werkt, de machine afkoelen door deze drie minuten op maximale snelheid onbelast te laten werken.

Alle gewone freeswerkzaamheden kunnen met de dieptefrees worden uitgevoerd op alle soorten hout en kunststoffen:

- Groeven
- Rabatten
- Soevereinen
- Aderen
- Profileren

Houd u aan de aanbevolen instellingen hieronder, zodat overbelasting van het gereedschap doordat u de verkeerde snelheid kiest, wordt voorkomen:

MATERIAAL	FREESDIAMETER		
	10 – 30 mm	30 – 50 mm	50 – 86* mm
SELECTIE VAN DE SNELHEID			
Hardhout	7 - 5	6 - 2	5 - 2
Zachthout	7 - 6	7 - 5	5 - 2
Spaanplaat met toplaa	7 - 6	7 - 4	n / a
Kunststof	7 - 5	7 - 4	n / a

* Gebruik geen freesbits die groter zijn dan 50 mm (2"), tenzij de freesmachine is gemonteerd op een freestafel.

OPMERKING: Op panelen met een kunststof laag mogen alleen frezen met een carbide tip worden gebruikt. Door de harde kunststof laag zullen stalen frezen snel bot worden.

OPMERKING: De verplaatsing van de invalfrees zal beter verlopen als u vaak opeengehoopte stof- en vuilresten van de kolommen verwijdert. Als de verplaatsing van de invalfrees niet zo gelijkmatig verloopt als gewenst, kunt u de kolommen smeren met droog teflon smeermiddel.

1. Plaats, nadat u de freesdiepte hebt ingesteld, zoals wordt beschreven, de bovenfrees zo dat de freesbit vlak boven de plaats staat waar u wilt gaan frezen.
2. Breng, terwijl de bovenfrees loopt, de machine gelijkmatig omlaag in het werkstuk. **BRENGDE BOVENFREESNIETMETEENKLAP OMLAAG.**
3. Wanneer het gereedschap de vooraf ingestelde diepte bereikt, vergrendel de machine dan met een druk op de snelrijgaveknop (7) .
4. Duw, wanneer u het freeswerk hebt voltooid, op de hendel vergrendeling invalfreesen (6) , ontgrendel de machine en laat de veer de freesmachine direct uit het werkstuk lichten.
5. Voer de frees altijd in de tegenovergestelde richting in als de richting waarin de beitel draait. Zie Fig. L.

Aan/uit schakelaar - (Fig. A)



WAARSCHUWING: Beperk het risico van ernstig persoonlijk letsel, schakel het apparaat uit en verbreek de aansluiting op de stroomvoorziening voordat u aanpassingen uitvoert of hulpstukken of accessoires verwijdert/plaatst.

Per ongeluk starten kan letsel tot gevolg hebben.

1. Schakel het apparaat in door de aan/uit schakelaar in te knijpen (3) . Blijf de schakelaar inknijpen of laat het apparaat voortdurend werken door de knop (20) vergrendeling in de aan stand in te drukken.

2. Het apparaat uitschakelen:

a. Als de vergrendeling in de aan stand is ingeschakeld, kunt u de knop voor vergrendeling in de aan stand vrijgeven door erop te drukken en de aan/uit schakelaar los te laten.

b. Laat de aan/uit schakelaar los, als de schakelaar voor vergrendeling in de aan stand niet is ingedrukt.

Kiesschijf variabele snelheid - (Fig. A)



WAARSCHUWING: Als de snelheidsregeling niet meer werkt, of met horten en stoten, stop dan onmiddellijk met het gebruik van het gereedschap. Breng het ter reparatie naar een Trend Tool Technology Ltd Tool Technology Ltd fabriek of een geautoriseerd servicebedrijf.

OPMERKING: De bovenfrees is voorzien van elektronica om de snelheid van het gereedschap tijdens het frezen te bewaken en te handhaven. Bij een lage en gemiddelde snelheid zorgt de snelheidsregeling ervoor dat de snelheid van de motor niet afneemt. Als u een verandering in de snelheid hoort en doorgaat met de motor belasten, zou de motor beschadigd kunnen raken door oververhitting. Verminder de freesdiepte en/of verlaag de aanvoersnelheid en voorkom zo dat het gereedschap beschadigd raakt.

Zie de Selectietabel voor de snelheid voor het kiezen van de snelheid van de bovenfrees. U kunt de snelheid van de bovenfrees regelen door de kiesschijf voor de snelheid **(1)** te draaien. Bij gebruik van de kiesschijf **(1)** voor de snelheid kan de snelheid variëren van 9000 tot 22000 tpm.

1. Draai de kiesschijf voor de snelheid naar de gewenste positie. De kiesschijf is voorzien van de cijfers 1 -7 of en die komen overeen met de snelheden van de bovenfrees van 9000 tot 22000 tpm.
2. Gebruik de langzamere instellingen voor frezen met een grote diameter en de snellere instellingen voor frezen met een kleine diameter.
3. Wat de juiste instelling is, zal ook afhangen van de dichtheid van het materiaal, de freesdiepte en de aanvoersnelheid van de bovenfrees.

OPMERKING: Wanneer de motor merkbaar snelheid verliest, betekent dat dat de motor wordt overbelast.

SNELHEIDSELECTIETABEL	
STAND VAN DE KIESSCHIJF	TPM BIJ BENADERING
1	9000
2	11000
3	13000
4	15000
5	18000
6	20000
7	22000

De snelheden in deze tabel zijn een benadering van de juiste snelheden en dienen slechts ter referentie. Misschien zal de bovenfrees niet exact de snelheid leveren die voor de instelling van de kiesschijf wordt vermeld.



WAARSCHUWING: Volg altijd de aanbevelingen van de fabrikant voor de snelheden omdat bepaalde freesbit ontwerpen een bepaalde snelheid vragen ten behoeve van veiligheid of prestatie.

Neem contact op met de fabrikant van de freesbit, als u niet precies weet wat de juiste snelheid is of als u op een probleem stuit.

LED werklicht - (Fig. F)

LET OP: Kijk niet in het werklicht. Dit kan tot ernstig oogletsel leiden.

Er bevinden zich twee LED werklichten **(57)** naast de spantang **(9)**.

1. De werklichten **(57)** blijven branden zolang de freesmachine op de stroomvoorziening is aangesloten.
2. U kunt de werklichten uitschakelen door de aansluiting van de freesmachine van de stroomvoorziening los te koppelen.

OPMERKING: Het werklicht is bedoeld voor het verlichten van het werkoppervlak in de onmiddellijke nabijheid en het is niet de bedoeling dat u het licht gebruikt zoals u een zaklantaarn gebruikt.

Vormen in onbewerkt hout



WAARSCHUWING: Vergrendel tijdens het frezen altijd de hendel vergrendeling invalfrezen.

Wanneer u randen freest in onbewerkt hout, moet u altijd eerst de kopse kant vormen, gevolgd door de lange nerf. Zo zorgt u ervoor dat als het hout afbreekt, dat gedeelte wordt verwijderd wanneer u langs de lange nerf freest.

De freesdiepte instellen - (Fig. D, E)

1. Plaats de freesmachine met de frees erin op het werkstuk.
2. Stel de revolverkopstop met meerdere posities **(11)** als vereist.
3. Maak de snelafstellingsknop los **(15)** en zet de diepteaanslag vast **(12)**.
4. Duw de hendel **(6)** vergrendeling invalfrezen omlaag om te gaan frezen.
5. Breng de freesmachine langzaam omlaag tot de frees het werkstuk raakt en zet de frees op z'n plaats vast door op de snelvrijgaveknop **(7)** te duwen.
6. Draai de snelle hoogteaanpassing **(16)** tot de diepteaanslagbalk **(12)** de revolverkopstop met meerdere positie raakt **(13)**. Zet de positie vast door de vergrendeling snelle hoogteaanpassing vast te zetten **(15)**.
7. Als de freesdiepte opnieuw moet worden afgesteld, kunt u het beste de snelafstelling voor de diepte **(16)** gebruiken voor ruime instellingen, en de fijnafstelling voor de hoogte voor nauwkeurige instellingen.
8. Stel de freesdiepte af met de fijnafstelling voor de hoogte **(18)**.

OPMERKING: Één slag van de fijnaanpassing van de hoogte **(18)** komt overeen met 1 mm, één slag van de snelle hoogteaanpassing **(15)** komt overeen met 40 mm.

9. Lees de freesdiepte af met ring voor snelle reset naar nul **(14)** en de ring voor fijnafstelling op nul **(19)**.

10. De afstand tussen de bovenzijde van de revolverkopstop en de onderzijde van de diepteaanslag is de gewenste freesdiepte.

11. Met de schroeven **(11)** van de revolverkop kunt u drie freesdiepten instellen. U kunt de hoogte afstellen met een platte schroevendraaier en een steeksleutel 8 mm.

OPMERKING: U kunt snel drie diepteinstellingen kiezen door de revolverkopstop te draaien.

Fijnafstelling hoogte - (Fig. D)

Deze freesmachine heeft een ingebouwde fijnafstelling voor de hoogte. Gebruik deze wanneer de hoogte van de frees nauwkeurig moet worden afgesteld. Dit wordt vooral aanbevolen wanneer u zwaluwstaartmallen of freestafels gebruikt.

Richting van invoer (Fig. L)

 **WAARSCHUWING:** Vermijd omhoog lopen van de frees (frezen in de richting tegenovergesteld aan de richting die wordt getoond in Fig. L). Het omhoog lopen van de frees vergroot de kans dat u de controle verliest en u kunt zich dan verwonden. Wanneer omhoog lopen van de frees wordt gevraagd (om een hoek frezen) ga dan uiterst voorzichtig te werk zodat u de controle over de freesmachine behoudt. Frees kleinere hoeveelheden weg bij iedere beweging met het gereedschap.

De aanvoerrichting is zeer belangrijk bij het frezen en kan het verschil uitmaken tussen een geslaagd karwei en een mislukt project. Fig. L laat zien wat de juiste richting voor aanvoer is bij de meeste freeswerkzaamheden.

1. Wanneer u freest langs een rand, moet de richting van het bereik van de freesmachine tegengesteld zijn aan die van de rotatie van de frees. Zo ontstaat de juiste freeshandeling en wordt voorkomen dat de freesmachine vastloopt. De frees wordt ook naar het werkstuk getrokken en de zijgeleider of het geleidelager zal minder gauw weglopen van de rand van het werkstuk.

Aanvoersnelheid

De snelheid waarop de frees in het hout wordt gevoerd mag niet zo hoog zijn dat de motor langzamer gaat lopen, en ook niet zo langzaam dat de frees brandplekken op het hout achterlaat.

OPMERKING: Oefen het beoordelen van de snelheid door naar het geluid van de motor te luisteren tijdens het frezen.

Volgorde van werken bij invalfrezen

 **WAARSCHUWING:** Vergrendel tijdens het frezen altijd de hendel voor vergrendeling van invalfrezen.

1. Breng de frees omlaag en vergrendel de motorwagen door op de snelvrijgaveknop te duwen **(7)**.

2. Voer de gewenste freeshandeling uit.

3. Duw de hendel **(6)** vergrendeling invalfrezen omlaag en de motorwagen keert terug naar de normale positie.

Een zijgeleider gebruiken - (Fig. M)

 **VOORZICHTIG:** Het is belangrijk dat in een comfortabele positie en op een juiste hoogte kunt werken.

1. Controleren dat de vleugelbouten **(28)** geheel los gedraaid zijn. Schuif de geleidestangen **(26)** in de freesplaat **(10)** en zet de vleugelbouten vast.

2. Stel de fijnafstellingsknop van de geleider **(29)** af op de vereiste afstand en klem de geleider op z'n plaats vast met de vleugelbouten **(28)**.

3. Breng vervolgens de frees omlaag tot vlak boven het werkstuk.

4. Fijnafstellingen zijn mogelijk door de vleugelbouten **(28)** los te draaien en de stand van de knop **(29)** voor de fijnafstelling van de geleider aan te passen.

5. Zet de vleugelbout **(28)** met de geleider in deze positie vast.

OPMERKING: Een slag van de knop **(29)** voor de fijnafstelling van de zijgeleider is gelijk aan 3/64" (1,0 mm) aanvoer van opzij.

6. Laat de frees tot op het werkstuk zakken en stel de freeshoogte af op de gevraagde afstand. Zie de Diepte van de frees instellen.

7. Schakel de freesmachine in en laat, nadat de machine volledig op snelheid is gekomen, de frees in het werkstuk zakken en activeer de invalzaagvergrendeling.

8. Voer de frees langs het werkstuk en houd zijwaartse druk aan zodat de zijgeleider niet kan weglopen van de rand van het werkstuk en houd neerwaartse druk aan aan de binnenzijde zodat de frees niet kan omslaan.

9. Breng, wanneer de handeling is voltooid, de frees omhoog, zet deze vast met de hendel voor invalzaagvergrendeling **(6)** en schakel de freesmachine uit.

OPMERKING: Houd, wanneer u de freeshandeling start, de druk op de voorste wang aan tot de achterste wang de rand van het werkstuk bereikt.

OPMERKING: Houd aan het einde van de freeshandeling de druk op de achterste wang aan tot de zaagsnede is voltooid. Zo voorkomt u dat de freesbit

aan het einde van het werkstuk naar binnen zwaait en de hoek beschadigt.

Frezen met de zijgeleider - (Fig. I, J)

De zijgeleider wordt gebruikt voor het leiden van de freesmachine bij het maken van mallen, randprofielen en rabatten aan de rand van een werkstuk of bij het frezen van groeven en sleuven in het mede van het werkstuk, parallel aan de rand.

De rand van het werkstuk moet recht en strak zijn.

De strips (31) kunnen worden aangepast en kunnen het beste met een ruimte van 1/8" (3 mm) aan weerszijden van de frees worden geplaatst.

Geleiden langs een lat

Wanneer u niet een randgeleiding kunt gebruiken, is het ook mogelijk de bovenfrees te geleiden langs een lat die u op het werkstuk klemt (met een overhang aan beide uiteinden).

Frezen uit de losse hand



WAARSCHUWING: Maak alleen ondiepe zaagsneden! Gebruik frezen met een max. diameter van 12mm.

U kunt de bovenfrees ook zonder enige geleiding gebruiken, bijv. voor het maken van wegwijzers of voor creatieve werkstukken.

Stand freestafel (Fig. Q)

(alleen T14E)



WAARSCHUWING: Controleer voor u de DWE627 in een freestafel plaatst, dat de freestafel voldoet aan alle wettelijke veiligheidseisen voor freestafels. Lees alle veiligheidswaarschuwingen, instructies, illustraties en specificaties die bij de freestafel zijn meegeleverd. Het niet opvolgen van alle instructies en veiligheidsregels kan leiden tot een elektrische schok, brand en/of ernstig letsel.



WAARSCHUWING: Beperk het risico van ernstig persoonlijk letsel, schakel het apparaat uit en verbreek de aansluiting op de stroomvoorziening voordat u aanpassingen uitvoert of hulpstukken of accessoires verwijdert/plaatst. Wanneer het gereedschap per ongeluk wordt kan dat leiden tot letsel.



WAARSCHUWING: Gebruik de DWE627 niet als een hand freesmachine als de voedingsschakelkast is aangesloten.



VOORZICHTIG: Als er stof zit in de aansluiting van de voedingsschakelkast, gebruik de schakelkast dan pas weer wanneer u het stof hebt verwijderd.

1. Koppel het gereedschap los van de stroomvoorziening voor u de voedingsschakelkast (41) op de freesmachine aansluit.

2. Bevestig de schakelkast (41) op de werkbank op een plaats die u gemakkelijk met de hand kunt bereiken en waar u de kast niet onbedoeld kunt inschakelen.

OPMERKING: U kunt de externe schakelaar met de vier bevestigingsgaten op de freestafel vastzetten (42).

3. U moet de kabel zo plaatsen en vastzetten dat deze niet knel kan komen te zitten en geen scherpe randen raakt.

4. Druk de vergrendelknop (43) op de linkerhandgreep (44) in met een stomp voorwerp om de kap van de handgreep te ontgrendelen (40).

OPMERKING: Als er stof zit in de aansluiting van de voedingsschakelkast, gebruik de schakelkast dan pas weer wanneer u het stof hebt verwijderd.

5. Houd de vergrendelingsknop (43) ingedrukt en draai de kap (40) van de handgreep voor toegang tot de aansluiting (46) van de aan/uit schakelaar.

6. Controleer dat de kantelschakelaar van de voedingsschakelkast in de uit stand staat, voor u de aan/uit schakelaar aansluit.

7. Steek de stekker (47) van de voedingsschakelkast in de aansluiting (46) van de aan/uit schakelaar.

8. Schroef de ringmoer (48) van de stekker (47) van de schakelkast op de aansluiting (46) van de aan/uit schakelaar en zet deze stevig op z'n plaats vast.

9. Bevestig de invalfreesmachine onder de werkbank, afhankelijk van de toepassing of de instructie voor de freestafel.(41).

10. Steek de stekker van het gereedschap weer in het stopcontact. U kunt nu de freesmachine inschakelen en uitschakelen met de kantelschakelaar (49) op de voedingsschakelkast.

11. Trek de kantelschakelaar (49) uit als u het gereedschap wilt starten en duw de kantelschakelaar in wanneer u het wilt uitschakelen.

Monteren van de T14 precisie diepte-instelling - (Fig. S1)

De precisie diepte-instelling (snelhefvoorziening) (61) van de T14 kan zowel bij gebruik in de hand of met de bovenfrees onder een tafel gemonteerd toegepast worden. Als er een gat met de juiste doorsnede wordt geboord in het blad van de freestafel, dan kan de diepte-instelling ook van boven de tafel worden ingesteld.

Gebruik van de precisie diepte-instelling:

1. Duw de bovenfrees naar beneden en zet de klemhendel vast.
2. Draai de kartelmoer (4) naar beneden over de spindel totdat de kartelmoer dicht bij de vork (62) op het huis van de bovenfrees staat.
3. Lijn de onderkant van de kartelmoer (4) uit zodat deze in de vork (62) valt.
4. Zet de klemhendel los.



WAARSCHUWING: Verdraai de T14 snelhefvoorziening nooit met een boormachine. Gebruik alleen de meegeleverde knop. Verzekert dat de klemhendel los staat. Forceer de snelhefvoorziening nooit bij het verstellen. Maak de Torx® schroef van de zeskantschroeven nooit los.

De T14 gebruiken zonder fijnafstelling - (Fig. S2)

Bij draagbaar gebruik moet de kartelmoer (4) naar de bovenkant van de stijl worden gewonden en met de hand worden vastgedraaid tegen de zeskantkap. De basis van de kartelmoer (4) moet worden uitgelijnd met de vorken (62) in de routerbehuizing.



LET OP: Zorg er bij normale invalmodus voor dat de basis van de kartelmoer correct is uitgelijnd met de vorken van het onderste motorhuis. Hierdoor kan de snijplotter veilig terugtrekken in de basis.

Gebruik in de hand:

1. Zet de knop van de precisie diepte-instelling (61) op de zeskant van de spindel (51).
2. Draai de knop naar rechts (met de klok mee) om de freesmotor naar boven te verstellen en de freesdiepte te verkleinen.
3. Draai de knop naar links (tegen de klok in) om de freesmotor naar beneden te verstellen en de freesdiepte te vergroten.

Gebruik in een freestafel - (Fig. S3)

1. Verzekert dat de bovenfrees in de freestafel gemonteerd is (zie de tegenoverliggende pagina).
2. Teek de knop van de precisie diepte-instelling (61) door het gat in de freestafel, op de zeskant van de spindel (64).
3. Draai de knop naar rechts (met de klok mee) om de freesmotor naar boven te verstellen en de freesdiepte te vergroten.
4. Draai de knop naar links (tegen de klok in) om de freesmotor naar beneden te verstellen en de freesdiepte te verkleinen.

Eén omwenteling komt overeen met 1,5mm. De schaalverdeling (63) van de precisie diepte-instelling kan op nul worden gesteld.

Voor ingebruikneming

1. Controleer dat de frees goed in de spantang is geplaatst.
2. Stel de zaagdiepte in.
3. Sluit stofafzuiging aan.
4. Het is belangrijk dat de invalzaagbegrenzer altijd is varendeld voordat u inschakelt.

Werken met voorfreesen - (Fig. R)

Wanneer een parallelle geleiding of geleidingsbus niet geschikt zijn, is het mogelijk voorfreesen (50) te gebruiken voor het frezen van geprofileerde randen.

Deze omvatten spantangen (6– 12,7 mm), een instrument voor hoogteafstelling en een freestafel voor gebruik in omgekeerde positie, gereedschap voor zwaluwstaartverbindingen, sjablonen voor zwaluwstaartverbindingen, verstelbare geleidingsbushouder en geleidingsbussen en geleidingsrails in diverse lengten.

Punten voor montage van accessoires op de grondplaat - (Fig. N)

Deze freesmachine is op de grondplaat voorzien van drie gaten met schroefdraad (53) waarop u andere accessoires kunt bevestigen.



ONDERHOUD

Uw gereedschap op stroom is ontworpen om gedurende een lange tijdperiode te functioneren met een minimum aan onderhoud. Het continu naar bevrediging functioneren hangt af van de juiste zorg voor het gereedschap en regelmatig schoonmaken.



WAARSCHUWING: Om het gevaar op ernstig persoonlijk letsel te verminderen, zet u het gereedschap uit en ontkoppelt u het van de stroomvoorziening, voordat u enige aanpassing maakt of hulpstukken of accessoires verwijdert/installeert. Het onbedoeld opstarten kan letsel veroorzaken.

Reparaties



WAARSCHUWING: De VEILIGHEID en BETROUWBAARHEID kunnen alleen worden gegarandeerd wanneer reparaties, onderhoud en afstelling (waaronder reparaties aan het netsnoer en inspectie en vervanging van borstels, wanneer dat relevant is) worden uitgevoerd door een fabrieks

servicecentrum van Trend Tool Technology Ltd of een erkend servicecentrum van Trend Tool Technology Ltd. Gebruik altijd identieke vervangende onderdelen.

Smering

- Uw elektrische gereedschap heeft geen aanvullende smering nodig.

Reiniging



WAARSCHUWING: Blaas vuil en stof uit de hoofdbehuizing met droge lucht, zo vaak u ziet dat vuil zich in en rond de luchtopeningen ophoopt. Draag goedgekeurde oogbescherming en een goedgekeurd stofmasker als u deze procedure uitvoert.



WAARSCHUWING: Gebruik nooit oplosmiddelen of andere bijtende chemicaliën voor het reinigen van niet metalen onderdelen van het gereedschap. Deze chemicaliën kunnen het materiaal dat in deze onderdelen is gebruikt verzwakken. Gebruik een doek die uitsluitend met water en milde zeep is bevochtigd. Zorg dat er nooit enige vloeistof in het gereedschap komt; dompel nooit enig onderdeel van het gereedschap in een vloeistof.

Optionele accessoires



WAARSCHUWING: Omdat accessoires, anders dan die worden aangeboden door Trend Tool Technology Ltd, niet in combinatie met dit product werden getest, kan het gebruik van dergelijke accessoires in combinatie met dit product gevaarlijk zijn. Om het risico op letsel te beperken, dienen uitsluitend door Trend Tool Technology Ltd aanbevolen accessoires in combinatie met dit product gebruikt te worden. Vraag uw dealer om nadere informatie over de juiste accessoires.

Opbergen

- Plaats het gereedschap na gebruik in de doos.

MILIEUBESCHERMING



Gooi grondstoffen niet weg maar zorg voor recycling.

Accessoires en verpakking moeten worden gesorteerd voor milieuvriendelijke recycling.

Gescheiden afvoer. Dit product mag niet worden afgevoerd met huishoudelijk afval.

Huishoudelijke gebruikers

Plaatselijke regelgeving voorziet mogelijk in de aparte inzameling van elektrische producten, bij een gemeentelijk milieupunt, of bij de leverancier waar u een nieuw product koopt. Neem contact op met de klantenservice van Trend over advies over de milieuverantwoorde afvoer van overtollige elektrische Trend producten, of bezoek www.trend-uk.com

Bedrijfsmatige gebruikers

Neem contact op met de klantenservice van Trend over de afvoer van overtollige elektrische Trend producten.

GARANTIE

Dit product heeft fabrieksgarantie in overeenstemming met voorwaarden op de bijgesloten garantietafel.

Voor het adres van de dichtstbijzijnde Trend servicevertegenwoordiger kunt u de klantenservice van Trend bellen, of zie www.trend-uk.com

SV - T12 & T14

Grattis till din nya Trend Tool Technology Ltd-produkt. Vi hoppas att du kommer att få många års kreativ och produktiv användning.

Glöm inte att skicka in garantikortet inom 28 dagar efter inköpet.

TEKNISKA DATA

		T12E	T14E
Spänning	V AC	230	230
Typ		1	1
Ineffekt	W	2300	2300
Tomgångshastighet	min 1	9000 - 22000	9000 - 22000
Fråskorg	mm	2 column	2 column
Slaglängd fråskorg (Portabelt läge)	mm	50	50
Max. kapdiameter (Bordsläge)	mm	50	86
Spännhysstorlek för Europa	mm	12	12
Spännhysstorlek för Förenade kungariket och ROI	inch	1/2	1/2
Wikt	kg	6.4	6.5
Buller- och vibrationsvärden (triax vektorsumma) i enlighet med EN62841 2 17.			
L _{PA} (emissions-ljudtrycksnivå)	dB(A)	95.1	95.1
L _{WA} (ljudeffektnivå)	dB(A)	106.1	106.1
K (osäkerhet för angiven ljudnivå)	dB(A)	2.5	2.5
Vibrationsemissionsvärde a _{h,rv} =	m/s ²	3.1	3.1
Osäkerhet =	m/s ²	0,31	0,31

Vibrations-och/eller bullerutsläppet som anges i detta informationsblad har uppmätts i enlighet med ett standardiserat test som anges i EN62841 och kan användas för att jämföra ett verktyg med ett annat. Den kan användas för att få fram en preliminär uppskattning av exponering.



WARNING: Den deklarerade vibrations-och/eller bullerutsläppsnivån representerar huvudanvändningen av verktyget. Om verktyget används för andra arbetsuppgifter med andra tillbehör eller dåligt underhållet kan vibrations-och/eller bullerutsläppet variera. Detta kan avsevärt öka exponeringsnivån under hela dess arbetstid.

En uppskattning av exponeringsnivån av vibrationer och/ eller buller ska också tas med i beräkningen när verktyget stängs av eller när det körs men inte utför något arbete. Detta kan avsevärt minska exponeringsnivån under hela dess arbetstid.

Identifiera ytterligare säkerhetsåtgärder för att skydda operatören från effekterna av vibrationer och/eller buller såsom: underhålla verktyget och tillbehör, hålla händerna varma (på grund av vibrationer), organisera arbetsmönster.

EG FÖRSÄKRAN OM ÖVERENSSTÄMMELSE

MASKINDIREKTIV



T12E & T14E

Överhandsfräs

Trend Tool Technology Ltd intygar att dessa dessa produkter, beskrivna under Tekniska data uppfyller: 2006/42/EC, EN 62841-1:2015 + AC:2015; EN 62841-2-17:2017.

Dessa produkter uppfyller också direktiv 2014/30/EU och 2011/65/EU. Mer information får du genom att kontakta Trend Tool Technology Ltd på följande adress eller titta i slutet av bruksanvisningen

Undertecknad är ansvarig för sammanställningen av tekniska data och gör denna försäkran för Trend Tool Technology Ltd

Neil McMillan
Technical Director

Trend Tool Technology Ltd
Unit 6 Odhams Trading Estate
St Albans Road, Watford
Herts, WD24 7TR
United Kingdom

Technical File Contact
Trend Tool Technology Ltd
3rd Floor, Kilmore House,
Park Lane, Spencer Dock,
Dublin 1, Ireland

01/11/21



WARNING: För att minska risken för personskada, läs instruktionshandboken.

Definitioner: Säkerhetsriktlinjer

Nedanstående definitioner beskriver allvarighetsnivån för varje signalord. Var god läs handboken och uppmärksamma dessa symboler.



FARA: Indikerar en omedelbart riskfylld situation som, om den inte undviks, **kommer att resultera i dödsfall eller allvarlig personskada.**



WARNING: Indikerar en potentiellt riskfylld situation som, om den inte undviks, **skulle kunna resultera i dödsfall eller allvarlig personskada.**



SE UPP: Indikerar en potentiellt riskfylld situation som, om den inte undviks, **kan resultera i mindre eller medelmåttig personskada.**



OBSERVERA: Anger en praxis som **inte är relaterad till personskada** som, om den inte undviks, **skulle kunna resultera i egendomsskada.**



Anger risk för elektrisk stöt



Anger risk för eldsvåda.



SÄKERHETSVARNINGAR, ALLMÄNT ELVERKTYG



WARNING: Läs **alla säkerhetsvarningar, instruktioner, illustrationer och specifikationer som levereras med detta elverktyg.** Underlåtenhet att läsa alla instruktioner som listas här nedan kan resultera i elektrisk stöt, eldsvåda och/eller allvarlig personskada.

SPARA ALLA VARNINGAR OCH INSTRUKTIONER FÖR FRAMTIDA REFERENS

Termen "elverktyg" i varningarna syftar på ditt starkströmsdrivna (sladdanslutna) elverktyg eller batteridrivna (sladdlösa) elverktyg.

1) Säkerhet på Arbetsområdet

a) Håll arbetsområdet rent och ordentligt upplyst. Belamrade eller mörka områden inbjuder till olyckor.

b) Använd inte elektriska verktyg i explosiva atmosfärer, såsom i närvaron av lättantändliga vätskor, gaser eller damm. Elektriska verktyg ge upphov till gnistor som kan antända dammet eller ångorna.

c) Håll barn och åskådare borta meda du arbetar med ett elverktyg. Distractioner kan göra att du förlorar kontrollen.

2) Elektrisk Säkerhet

a) Kontakterna till elverktyget måste matcha uttaget. Modifiera aldrig kontakten på något sätt. Använd inte några adapterpluggar med jordanslutna (jordade) elektriska verktyg.

Omodifierade kontakter och matchande uttag minskar risken för elektrisk stöt. .

b) Undvik kroppskontakt med jordanslutna eller jordade ytor såsom rör, värmeelement, spisar och kylskåp. Det finns en ökad risk för elektrisk chock om din kropp är jordansluten eller jordad. .

c) Utsätt inte elektriska verktyg för regn eller våta förhållanden. Vatten som kommer in i ett elverktyg ökar risken för elektrisk stöt.

d) Missbruka inte sladden. Använd aldrig sladden till att bära, dra eller koppla bort elverktyget från strömmen. Håll sladden borta från värme, olja, skarpa kanter eller rörliga delar. Skadade eller tilltrasslade sladdar ökar risken för elektrisk stöt.

e) När du arbetar med ett elverktyg utomhus, använd en förlängningssladd som passar för utomhusanvändning. Användning av en sladd som passar för utomhusanvändning, minskar risken för elektrisk stöt.

f) Om arbete med ett elverktyg i en fuktig lokal är oundvikligt, använd ett uttag som är skyddat med jordfelsbrytare (RCD). Användning av en RCD minskar risken för elektrisk stöt.

3) Personlig Säkerhet

a) Var vaksam, ha koll på vad du gör och använd sunt förnuft när du arbetar med ett elverktyg. Använd inte ett elverktyg när du är trött eller påverkad av droger, alkohol eller medicinering. Ett ögonblicks ouppmärksamhet när du arbetar med elektriska verktyg kan resultera i allvarlig personskada.

b) Använd personlig skyddsutrustning. Bär alltid ögonskydd. Skyddsutrustning såsom dammfilterskydd, hals säkra säkerhetsskor, skyddshjälm eller hörselskydd som används för lämpliga förhållanden minskar personskadorna.

c) Förebygg oavsiktlig igångsättning. Se till att strömbrytaren är i frånläge innan du ansluter till strömkällan och/eller batteripaketet, plockar upp eller bär verktyget. Att bära elektriska verktyg med ditt finger på strömbrytaren eller att strömsätta elektriska verktyg som har strömbrytaren på är att invitera olyckor.

d) Avlägsna eventuell justeringsnyckel eller skiftnyckel innan du sätter på elverktyget. En skiftnyckel eller en nyckel som sitter kvar på en roterande del av elverktyget kan resultera i personskada.

e) Böj dig inte för långt. Bibehåll alltid ordentligt fotfäste och balans. Detta möjliggör bättre kontroll av elverktyget i oväntade situationer.

f) Klä dig ändamålsenligt. Bär inte lösa kläder eller smycken. Håll hår, beklädnad och handskar borta från delar i rörelse. Lösa kläder, smycken eller långt hår kan fastna i delar i rörelse.

g) Om det finns anordningar för anslutning av apparater för dammutrensning och insamling, se till att dessa är anslutna och används på ett korrekt sätt. Användning av dammuppsamling kan minska damm relaterade faror.

h) Bli inte vårdslös och ignorera inte säkerhetsprinciperna trots att du är van att använda verktyg. Vårdslöst handlande kan leda till allvarlig kroppsskada på en bråkdel av en sekund.

4) Användning och Skötsel av Elverktyg

a) Tvinga inte elverktyget. Använd det korrekta elverktyget för din tillämpning. Det korrekta elverktyget gör arbetet bättre och säkrare vid den hastighet för vilket det konstruerades.

b) Använd inte elverktyget om strömbrytaren inte sätter på och stänger av det. Ett elverktyg som inte kan kontrolleras med strömbrytaren är farligt och måste repareras.

c) Dra ur kontakten från strömkällan och/ eller batteripaketet, om det är lösttagbart, från elverktyget innan du gör några justeringar, byter tillbehör eller lägger elverktygen i förvaring. Sådana förebyggande säkerhetsåtgärder minskar risken att oavsiktligt starta elverktyget.

d) Förvara elektriska verktyg som inte används utom räckhåll för barn, och låt inte personer som är obekanta med elverktyget eller med dessa instruktioner använda elverktyget. Elektriska verktyg är farliga i händerna på utbildade användare.

e) Underhåll elektriska verktyg. Kontrollera för feljustering eller om rörliga delar har fastnat, bristning hos delar och andra eventuella förhållanden som kan komma att påverka elverktygets funktion. Om det är skadat, se till att elverktyget blir reparerat före användning. Många olyckor orsakas av dåligt underhållna elektriska verktyg.

f) Håll kapningsverktyg vassa och rena. Ordentligt underhållna kapningsverktyg med vassa sågkanter är mindre sannolika att fastna och är lättare att kontrollera.

g) Använd elverktyget, tillbehören och verktygssatserna, etc. i enlighet med dessa instruktioner, och ta hänsyn till arbetsförhållandena och det arbete som ska utföras. Användningen av elverktyget för andra verksamheter än de som det är avsett för skulle kunna resultera i en farlig situation.

h) Se till att handtagen och greppytorna är torra och fria från olja och fett. Hala handtag och greppytorna förhindrar säker hantering och kontroll av verktyget i oväntade situationer.

5) Service

a) Se till att ditt elverktyg får service av en kvalificerad reparatör, som endast använder identiska ersättningsdelar. Detta säkerställer att elverktygets säkerhet bibehålles.

Säkerhetsinstruktioner för fräs

a) Håll elverktyget i isolerade greppytor eftersom kniven kan komma i kontakt med sin egen sladd. Vid kapning av en strömförande ledning kan verktygets metalldelar bli strömförande och ge dig en elektrisk stöt.

b) Använd klämmor eller något annat praktiskt sätt att stödja arbetsstycket vid ett stabilt underlag. Om du håller fast arbetsstycket med handen eller trycker det mot kroppen blir det instabilt och du kan förlora kontrollen.

c) Håll handtagen torra, rena och fria från olja och fett. Därmed har du bättre kontroll över verktyget.

d) Behåll ett fast grepp med båda händerna på verktyget för att hålla emot startreaktionskraften. Ha ett fast grepp om verktyget hela tiden.

e) Håll händerna borta från sågområdet ovanför och nedanför basen. Sträck dig aldrig av någon anledning under arbetsstycket. Håll fräsbasen i kontakt med arbetsstycket under arbetet.

f) Vidrör inte bitsen direkt efter användning. Den kan vara mycket het.

g) Se till att motorn stannat helt och hållet innan du lägger ned fräsen. Om bitsen fortfarande snurrar när verktyget läggs ned kan det orsaka personskador eller annan skada.

h) Se till att fräsbitsen är fri från arbetsstycket innan motorn startas. Om bitsen är i kontakt med arbetsstycket när motorn startas, så kan det göra att fräsen hoppar och orsakar personskador eller andra skador.

i) Angiven hastighet för tillbehöret måste vara åtminstone lika med den maximala hastighet som elverktyget är märkt med. Bits som går snabbare än sin nominella hastighet kan gå sönder och splittras.

j) Följ alltid bitstillverkarens hastighetsrekommendationer då vissa bitsdesigner kräver specifika hastigheter för säkerhet och prestanda. Om du är osäker på korrekt hastighet eller om du upplever någon typ av problem, kontakta bitstillverkaren.

k) Använd inte fräshuvuden som är större än 50mm (2") om inte fräsen sitter fäst i ett fräsbord.

Använd inte fräsbits med en diameter som överstiger 86mm (3 3/8") på detta verktyg.

ÅTERSTÅENDE RISKER

VARNING: Vi rekommenderar användning av en jordfelsbrytare med en restström på 30mA eller mindre.


Trots tillämpning av de relevanta säkerhetsbestämmelserna och användning av säkerhetsapparater kan vissa återstående risker inte undvikas. De är:

- Hörselnedsättning.
- Risk för personskada på grund av flygande partiklar.
- Risk för brännskador på grund av att tillbehör blir heta under arbetet.
- Risk för personskada på grund av långvarig användning.

SPARA DESSA INSTRUKTIONER

Elektrisk säkerhet

Den elektriska motorn har konstruerats för endast en spänning. Kontrollera alltid att spänningen på nätet motsvarar den spänning som finns angiven på märkplåten.

 Ditt verktyg från är dubbelisolerat i enlighet med EN62841; därför behövs ingen jordledning.

T12 (115V) är avsedd att användas med en säkerhetstransformator tillverkad till BS EN61558 och BS 4343. Arbeta aldrig utan att denna transformator finns på plats.

Om nätsladden är skadad får den endast bytas ut av Trend Tool Technology Ltd eller en auktoriserad serviceorganisation.

Användning av förlängningsladd

Om en förlängningsladd krävs, använd en godkänd trekärnig sladd som är lämpligt för spänningsinmatningen för detta verktyg (**se Tekniska data**). Minimum ledarstorlek är 1,5mm²; maximal längd är 30m.

Om du använder en sladdvinda, linda alltid av sladden fullständigt.

FÖRPACKNINGENS INNEHÅLL

Förpackningen innehåller:

- 1 x Fräs
- 1 x Collet 1/2" UK & ROI (12mm EU)
- 1 x Parallellanslag
- 2 x Styrskenor
- 1 x Styrbussning (30mm)
- 1 x 22mm nyckel

- 1 x SA Dammutsugningsrör
- 1 x Fjärrkontrollbox (endast T14)
- 1 x bruksanvisning
- 1 x Inställningsdonhandtag för finjustering av höjd (Endast T14)

- Kontrollera om verktyget, delar eller tillbehör fått skador som kan tänkas ha uppstått under transporten.
- Ta dig tid att grundligt läsa igenom och förstå denna bruksanvisning innan den tas i bruk.

MÄRKNINGAR PÅ VERKTYG

Följande bildikoner visas på verktyget:



Läs instruktionshandbok före användning. .



Bär öronskydd.



Använd ögonskydd.



Synlig strålning. Titta inte in i ljuset.

Datumkodplacering - (Fig. A)

Datumkoden (**56**), vilken också inkluderar tillverkningsår, finns tryckt i kåpan.

Exempel:

2021 XX XX
Tillverkningsår

Beskrivning - (Fig. A)



VARNING: Modifiera aldrig elverket eller någon del av det. Skada eller personskada kan uppstå.

1. Ratt för varvtalsreglering
2. Huvudhandtag
3. På/av brytare
4. Inställningsratt
5. Höjdstoppstapp
6. Sänkningslåsopak
7. Snabbfrigeringsknapp
8. Spindellåsknapp
9. Spännhylsmontage
10. Basplatta
11. Revolverstopp med flera positioner
12. Djupstoppstycke
13. 22mm nyckel
14. Nollställningsring (snabbinställning)
15. Höjdsnabbjusteringslås
16. Höjdsnabbjustering
17. Pekmarkör
18. Finjustering
19. Nollställningsring (fininställning)
20. Låsknappsbytare

Avsedd användning

Fräsarna T12 och T14 har konstruerats för professionell industrifräsning av trä, träbaserade produkter och plast.

Dessa fräsar är avsedda att fräsa spår, kanter, profiler och falsar samt kopierings-fräsning.

Använd **INTE** under våta förhållanden eller i närheten av lättantändliga vätskor eller gaser.

T12 och T14 är professionella elverktyg.

T14 är utformad så att den kan installeras i ett fräsbord. Fräsen får endast installeras i bord som uppfyller lagstadgade säkerhetskrav för fräsbord.

Låt **INTE** barn komma i kontakt med verktyget. Övervakning krävs när oerfarna användare använder detta verktyg.

- **Små barn och fysiskt svaga personer.** Denna apparat är inte avsedd att användas av små barn eller fysiskt svaga personer utan övervakning.
- Denna produkt är inte avsedd att användas av personer (inklusive barn) med reducerad fysisk, sensorisk eller mental förmåga eller med begränsad erfarenhet eller kunskap såvida inte de är under uppsikt av en person som är ansvarig för deras säkerhet. Barn skall aldrig lämnas ensamma med denna produkt.

 **SE UPP:** Läs följande avsnitt innan ni använder någon av kontrollerna.

Fråshuvud med höjdsnabbjusterare (Fig. B1-B4)

1. Sänkningslås-spak (6) Läge 0 (klockan 11)

Fråshuvudets höjdställning är nu låst och kan inte justeras.

2. Sänkningslås-spak (6) Läge 1 (klockan 1)

Höjdstoppet åsidosätts tillfälligt när spaken hålls i denna position och överfräsen kan sänkas. När sänkningslås-spaken släpps kommer skärddjupet låsas i det läget.

Perfekt för att snabb ompositionering och registrering av ytor vid användning med en jigg.

3. Sänkningslås-spak (6) Läge 2 (klockan 2)

Vrid sänkningslås-spaken tills du hör ett "klick". Höjdstoppet är nu avstängt och överfräsen är i "friläge", vilket ger användaren full kontroll över fråshuvudets position.

Perfekt för noggrann ompositionering och inställning av fräsddjupet.

4. Snabbfrigöringsknapp (7)

Återställer sänkningslåset och återställer spaken till läge 0.

Höjdsnabbjusteraren är självåtdragande för att undvika att höjdstoppets noggrannhet påverkas av vibrationer som orsakas vid tung drift.

Spännhysor - (Fig. C)



WARNING: Projektilrisk. Använd endast bits med skaft som matchar den installerade spännhysan. Smalare bits kommer inte att sitta fast och kan lossna under arbetet.



SE UPP: Dra aldrig åt spännmuttern utan att först ha installerat en fräsbits i den. Åtdragning av tom hylsa, även för hand kan skada hylsan.

Två spännhysor medföljer fräsen.

- 12 mm: Europa
 - 1/2" Förenade kungariket
1. Byt spännhysor (35), genom att skruva loss spännhysmontaget (9)
 2. Dra ut den gamla spännhysan ur spännhysmuttern (36) och infoga den nya spännhysan (35).
 3. Tryck bestämt så att den nya spännhysan klickar på plats bakom hållarfjäders i spännhysmuttern.

Revolverstopp med flera positioner - (Fig. E)



WARNING: Hantera inte revolverstoppet medan fräsverktyget körs. I annat fall kommer dina händer för nära fråshuvudet

Revolverstoppet (11) begränsar det nedåtriktade avståndet som verktyget kan sänkas. Det består av tre skruvar i olika längd som definierar skärddjupet genom att begränsa hur djupt stoppstycket färdas (12).


1. Fräsddjupet kan ställas in genom att välja en skruv med lämplig längd i revolverstoppet.
2. Revolverstoppet går att rotera med spärrhakar så att skruvarna kan passas in korrekt.
3. Det är interaktionen mellan djupstoppstycket och revolverstoppet som avgör fräsddjupet.
4. Om ingen av de medföljande skruvarna verkar passa den önskade höjden så kan de justeras genom att muttern nedtill lossas och därefter skruvas skruven in eller ut för att få rätt längd. När skruven har justerats måste muttern dras åt igen med en 8 mm nyckel (55).
5. Se avsnittet **Val av fräsddjup** för anvisningar om hur ni kan använda revolverstoppet i drift.

Höjdstoppstapp och höjdstoppsinställningsratt - (Fig. G & Ga)


Höjdstoppstappen (5) och inställningsratten (4) begränsar hur högt enheten kan färdas på skenorna. Systemet är justerbart ända nedifrån där enheten inte kan höjas ända upp oavsett sänkningslås-spakens läge där nederdelen på spännhylsan är 80 mm (3 5/32") ovanför arbetsstycket.

NOTERA: Det är lättare att flytta höjdstoppsinställningsratten UPPÅT om sänkningslås-spaken är låst och lättare att flytta inställningsratten nedåt om enheten först flyttas nedåt genom att sänkningslås-spaken frigörs och sedan dras åt.


MONTERING OCH INSTÄLLNINGAR


 **VARNING:** För att minska risken för allvarlig personskada, stäng av verktyget och koppla bort det från strömkällan innan du gör några justeringar eller tar bort/installerar tillsatser eller tillbehör. En oavsiktlig igångsättning kan orsaka personskada.

Installation och borttagning av fräs - (Fig. C, F)

 **VARNING:** Dra aldrig åt spännhylsan utan att ett fråshuvud är monterat.

 **VARNING:** Använd alltid spännhylsor med skaft som matchar spännhylsdiаметern.

 **VARNING:** Använd inte fråshuvuden som är större än 50mm om inte fräsen sitter fäst i ett fräsbord.

 **SE UPP:** Var försiktiga när ni lossar fråshuvudet för att undvika skärskador i fingrarna.

Installation av fråshuvud

1. Infoga minst tre fjärdedelar av skaftlängden på fråshuvudet i spännhylsmontaget (9).
2. Tryck spindellåset (8) framåt till frässpindeln är låst.

NOTERA: Du kan behöva vrida spindeln något för att den ska fästa.

3. Vrid spännhylsmuttern (45) moturs med den medföljande 22 mm nyckeln (13) för att dra åt den.

Borttagning av fråshuvud

1. Tryck spindellåsknappen (8) framåt tills frässpindeln är låst.


2. Vrid spännhylsmuttern (9) moturs med den medföljande 22 mm nyckeln (13) för att lossa den.

3. Fortsätt vrida nyckeln tills spännhylsmuttern dras åt och sedan lossas igen. Det här är säkerhetsmekanismen som frigör spännhylsan.

4. Nu bör fråshuvudet glida ut.

NOTERA: Varje gång du är klar med fråshuvudet ska det tas loss och förvaras på en säker plats.

Finjustering av höjd - (Fig. A, D, E)

 **SE UPP:** Se till att sänkningslås-spaken är låst. Använd aldrig onödigt kraft för att rotera mekanismen för finjustering av höjd.

 **SE UPP:** Lossa inte skruvarna på muttrarna.

Finjusteringsmekanismen av höjden kan användas i portabelt läge eller när fräsen hålls inuti ett bord.

Justering av fräsdjupet - (Fig. A, D, E)

Fräsen är försedd med ett system för djupjustering med hög precision, inklusive en nollställningsring för både snabbjustering och finjustering av höjden.

Snabbjustering med gradförflyttning med nollställningsringen

1. Lossa höjdsnabbjusteringslåset för djupstoppet (15).
2. Släpp sänkbegränsaren genom att trycka ner frigöringsspaken (6).
3. Sänk fräskorgen tills verktyget vidrör arbetsstycket.
4. Tryck på snabbfrigöringsknappen (7).
5. Ställ in snabbhöjdjusteraren (16) till noll och återställ finjuste ringsåterställningsringen (19) till noll. Djupstoppsstycket (12) måste ha kontakt med revolverstoppet (11).
6. Justera skärdjupet med snabbhöjdjusteraren (16) och motsvarande gradförflyttning. Det justerade skärdjupet visas med pekmarkören (17).
7. Dra åt höjdsnabbjusteringslåset (15).

Finjustering

När du inte använder en djupmall, eller om fräsdjupet måste justeras så rekommenderar vi att du använder fininställning av höjden (18).

1. Justera fräsdjupet som det beskrivs i Justering av fräsdjupet.
2. Ställ in finjusteringen av höjden till noll med nollställningsknappen (19).

3. Roterar finjusteringen av höjden (**18**) till önskat läge: ett varv motsvarar cirka 1mm och 1 markering till 0,1 mm.

Montering styrbussning och inre platta - (Fig. H)

De fräsmaskinen har ett unikt inbyggt line-up-system för mallguiden. Detta system säkerställer att styrbussningen är exakt koncentrisk mot fräskäraren för att säkerställa korrekt arbete.

1. Vänd fräsen upp och ned.
2. Montera den inre plattan (**58**) i fördjupningen i fräsens basplatta (**10**). För T12 måste bussningarna på den inre plattan riktas mot fräsens motor. För T14 måste den upphöjda sidan av den inre plattan vara vänd bort från fräsens bas. Skruva de två maskinskruvorna med koniskt huvud (**59**) löst genom den inre plattan och in i de gängade hålen. **DRA INTE ÅT SKRUVARNA.**
3. Montera styrbussningen på 30mm (**24**) på den inre plattan (**58**). Montera styrbussningen med de två försänkta M5-maskinskruvorna (**25**). Dra åt skruvarna.
4. Inriktningstappen (**60**) är trappformad för hylsstorlekar (**9**) på 12mm och ½ tum. (För ½-tumshylsan trycker du helt enkelt inriktningstappen längre ner i ½-tumshylsan).
5. Montera inriktningstappen (**60**) i ½-tumshylsan (**9**) (eller 12mm beroende på monterad storlek) i fräsen, och dra åt hylsmuttern något för att hålla fast inriktningstappen (**60**).
6. Frigör inmatningsspaken och tryck försiktigt på basen tills inriktningstappen (**60**) projekteras genom styrbussningen på 30mm (**24**).
7. Dra åt maskinskruvorna med koniskt huvud (**59**) med en platt skruvmejsel när de är i linje.

Placering av parallellanslag - (Fig. I, J)

1. Fäst styrstängerna (**26**) vid fräsfoten (**10**).
2. Skjut parallellanslaget (**27**) över stängerna.
3. Dra åt ving muttrarna (**28**) tillfälligt.

Justera parallellanslaget - (Fig. A, I, J)

1. Drag en fräslinje på materialet.
2. Sänk fräskorgen tills verktyget vidrör arbetsstycket.
3. Tryck in snabbfrigöringsknappen (**7**) och begränsa korgreturen med hjälp av inställningsratten (**4**).
4. Placera fräsen på fräslinjen.
5. Skjut parallellanslaget (**27**) mot arbetsstycket och dra åt ving muttrarna (**28**).
6. Justera parallellanslaget med fininställningen (**29**). Fräsvärktygets ytterkant måste sammanfalla med fräslinjen.

7. Vid behov lossar ni skruvarna (**30**) och ställer in slingorna (**31**) för att få önskad styrlängd.

Dammutsugning - (Fig. A, K, P)

Damm från material såsom blyinnehållande beläggningar och vissa trätyper kan vara skadliga för hälsan. Inandning av dammet kan orsaka allergiska reaktioner och/eller leda till landningsinfektioner hos användaren eller åskådare.

Vissa typer av damm, såsom ek eller bokdamm anses vara cancerframkallande, speciellt i kombination med träbehandlingsmedel.

Notera de relevanta bestämmelser i ditt land för material som du arbetar med.

Dammugaren måste vara lämplig för det material som det arbetas med.

Vid dammsugning av torrt damm som är särskilt hälsovådligt eller cancerframkallande, använd en specialdammsugare klass M.

Anslutning av dammutsugningsadaptorn - (Fig. K)

Dammutsugningsadaptorn består av en huvudsektion (**32**), en kåpa (**33**), en adapter för dammsugarröret (**34**), en skruv för dammsugarröret (**37**), två basskruvar (**52**) och två muttrar (**36**).

1. Skjut upp locket (**33**) på huvudsektionen (**32**) tills det klickar på plats.
2. Placera huvudsektionen (**32**) på basen och fäst med två skruvar (**52**) och muttrar (**36**).
3. Ta bort skruven (**37**) från fräsens översida och använd samma skruv för att montera fast adaptorn till dammsugarröret (**34**) på fräsen.

Anslutning av dammutsugningsslangen - (Fig. P)



VARNING: Risk för inandning av damm. För att minska risken för personskador bär **ALLTID** godkänd dammask.



VARNING: Använd **ALLTID** en dammsugare som uppfyller gällande föreskrifter gällande dammutsläpp vid sågning av trä. Dammsugarslangar hos de flesta vanliga dammsugare passar direkt i dammutsugningsuttaget.

Anslut en dammutsugsslang (**38**) till adaptorn till dammsugarslangen (**34**).

En adapter för dammutsugröret (**34**) medföljer verktyget. Slangen på de flesta dammsugare passar direkt i dammutsugningsuttaget.

NOTERA: När dammsuget används måste dammsugaren hållas ur vägen och säkras så den inte välter eller stör fräsen eller arbetsstycket. Dammsugarslangen och strömladden måste också placeras så att de inte stör fräsen eller arbetsstycket. Om dammsugaren eller dammsugarslangen inte kan placeras korrekt bör den tas bort.

ANVÄNDNING



Bruksanvisning

! VARNING: Laktta alltid säkerhetsinstruktionerna och tillämpbara bestämmelser.

! VARNING: För att minska risken för allvarlig personskada, stäng av verktyget och koppla bort det från strömkällan innan du gör några justeringar eller tar bort/installerar tillsatser eller tillbehör. En oavsiktlig igångsättning kan orsaka personskada.

Korrekt handplacering - (Fig. O)

! VARNING: För att minska risken för allvarlig personskada, använd **ALLTID** korrekt handplacering såsom visas.

! VARNING: För att minska risken för allvarlig personskada, **HÅLL ALLTID** verktyget säkert, för att förekomma en plötslig reaktion.

Korrekt handplacering kräver att båda händerna hålls på huvudhandtagen (2).

Hur fräsen används - (Fig. A, L)

! SE UPP: Starta fräsen innan fråshuvudet sänks ned i arbetsstycket.

! SE UPP:

- För mycket fräsning kan överbelasta motorn eller ge problem med att styra verktyget, fräsdjupet får inte vara större än 15mm vid en passering när ni fräser spår med en 8mm bits.
- Vid fräsning av fåror med en 20mm bits får inte fräsdjupet vara större än 5mm vid en passering.
- Gör två eller tre passeringar för extra djupa fåror med progressivt djupare bitinställningar.

! SE UPP: Efter långa perioder av arbete vid låga hastigheter behöver maskinen svalna genom att den körs i 3 minuter på maxhastighet, utan last.

Alla vanliga fräsningar kan utföras med det sänkbara fråshuvudet i alla slags trä och plast:

- Räffling
- Falsning
- Försänkning
- Gravering
- Profilerung

För att förhindra överbelastning av verktyget genom att använda fel hastighetsval, följ de rekommenderade inställningarna nedan:

MATERIAL	FRÄSDIAMETER		
	10 – 30 mm	30 – 50 mm	50 – 86* mm
VAL AV HASTIGHET			
Lövträ	7 - 5	6 - 2	5 - 2
Mjukt trä	7 - 6	7 - 5	5 - 2
Spånskiva vänd	7 - 6	7 - 4	n / a
Plast	7 - 5	7 - 4	n / a

* Använd inte fråshuvuden som är större än 50mm om inte fräsen sitter fäst i ett fråsbord.

NOTERA: Endast karbidbelagda fräsar får användas på paneler klädda med plastlaminat. Det hårda laminatet nöter snabbt på stålfråshuvuden.

NOTERA: För att få en bättre rörelse vid glidsänkning ska pelarna regelbundet rengöras från skräp. Om sänkingsrörelsen inte är lika smidig som förväntat, ska pelarna smörjas med ett torrt teflonsmörjmedel.

1. När fräsdjupet har ställts in ska fräsen placeras så att bitsen är rakt över platsen där ni ska fräsa.
2. När fräsen körs sänks enheten smidigt ner på arbetsstycket. **TRYCKINTE NER FRÄSENSNABBT.**
3. När verktyget når det förinställda djupet ska snabbfrigöringsknappen tryckas in (7) för att låsa placeringen.
4. När fräsningen är klar trycker ni på sänkingslässpaken (6) för att låsa upp och låta fjädern lyfta fräsen rakt upp ur arbetsstycket.
5. Mata alltid fräsen i motsatt riktning mot fräsens rotationsriktning. Se Fig. L.

På/av brytare - (Fig. A)



WARNING: För att minska risken för allvarliga personskador, ska enheten stängas av och strömförsörjningen kopplas bort innan några justeringar görs eller tillbehör eller insatser tas bort/ installeras. En oavsiktlig start kan orsaka personskada.

1. Tryck på strömbrytaren för att starta enheten (3). Fortsätt trycka på brytaren eller tryck in låsknappbrytaren (20) för en kontinuerlig körning.

2. Stäng av enheten så här:

a. Om låsbrytaren är aktiverad ska låsknappen släppas genom att trycka på och släppa upp brytaren.

b. Om låsknappen inte är aktiverad ska brytaren släppas upp helt.

Variabel hastighetsratt - (Fig. A)



WARNING: Om hastighetsväljaren slutar fungera eller hamnar i ett friläge ska verktyget omedelbart stoppas. Ta med den till en Trend Tool Technology Ltd fabrik eller en behörig serviceanläggning för reparation.

OBSERVERA: Fräsen är utrustad med elektronik för övervakning och bibehållande av hastigheten hos verktyget under fräsningen. Vid arbete i låg och medelhastighet förhindrar hastighetskontrollen att motorhastigheten minskas. Om du förväntar dig att höra en hastighetsändring och fortsätter att belasta motorn kan du skada motorn genom överhettning. Minska fräsdjupet och/eller minska matningshastigheten för att förhindra att verktyget skadas.

Se Hastighetsvaltabellen för att välja fräshastighet. Vrid på hastighetsratten (1) för att styra fräshastigheten. Hastigheten varierar från 9000 till 22000 v/min med hastighetsratten (1).

1. Vrid på hastighetsratten till önskat läge. Ratten är numrerad från 1–7 och motsvarar fräshastigheter på 9000 v/min till 22000 v/min.

2. Använd de långsammare inställningarna för fräsningar med större diameter och de snabbare inställningarna för fräsningar med mindre diameter.

3. Korrekt inställning beror också på materialets densitet, fräsdjupet och fräsens matarhastighet.

NOTERA: En märkbar minskning av motorns varvtal betyder att motorn är överbelastad

HASTIGHETSVALSTABELL	
RATTINSTÄLLNING	UNGEFÄRLIGT varvtal
1	9000
2	11000
3	13000
4	15000
5	18000
6	20000
7	22000

Hastigheterna i denna tabell är ungefärliga och är endast till som referens. Din fräs kanske inte producerar exakt den hastighet som listas för rattinställningen.



WARNING: Följ alltid bitstillverkarens hastighetsrekommendationer då vissa bitsdesigner kräver specifika hastigheter för säkerhet och prestanda.

Om du är osäker på korrekt hastighet eller om du upplever någon typ av problem, kontakta bitstillverkaren.

LED arbetsbelysning - (Fig. F)



FÖRSIKTIGHET: Titta inte in i arbetsbelysningen. Allvarliga ögonskador kan bli följden.

Två LED arbetslampor (57) finns bredvid spännylsmontaget (9).

1. Arbetslamporna (57) lyser konstant när fräsen är ansluten till elnätet.

2. För att stänga av arbetslamporna måste fräsen vara fränkopplad från elnätet.

NOTERA: Arbetsbelysningen är till för att belysa det omedelbara arbetsområdet och är inte avsedd att användas som ficklampa.

Listfräsning av timmer



WARNING: Lås alltid sänkningslåssspaken vid fräsning.

När ni kantfräser timmer ska alltid kortsidan listfräsas först, följt av långsidan. På så vis säkerställer ni att eventuella flisor avlägsnas när ni fräser långsidan.

Val av fräsningsdjup - (Fig. D, E)

1. Placera fräsen med fräshuvudet mot arbetsstycket.

2. Ställ in revolverstoppet med flera lägen (11) efter behov.

- Lossa snabbjusteringsknappen **(15)** så att djupstoppet säkerställs **(12)**.
 - Tryck ned sänkningslässpaken **(6)** för att börja sänka.
 - Sänk sakta fräsen tills fråshuvudet vidrör arbetsstycket och säkra den på plats genom att trycka på snabbfrigöringsknappen **(7)**.
 - Rotera snabbhöjdjusteringen **(16)** tills djupstoppsstycket **(12)** vidrör revolverstoppet **(13)**. Säkra på plats genom att dra åt höjdsnabbjusteringslåset **(15)**.
 - Om fräsdjupet behöver justeras om, så rekommenderar vi att du använder snabbdjupsjusteringen **(16)** för grova inställningar, eller finjusteringen av höjd för exakta inställningar.
 - Justera fräsdjupet med finjusteringsmekanismen för höjd **(18)**
- NOTERA:** Ett varv på finjusteringen av höjden **(18)** motsvarar 1mm (3/64"), ett varv på snabbhöjdjusteraren **(15)** motsvarar 40mm (1 1/2").
- Läs ut fräsdjupet med hjälp av snabbåterställningsring **(14)** och finåterställningsring **(19)**.
 - Avståndet mellan överdelen på revolverdjupstoppet och nederdelen av fininställningen är det inställda fräsdjupet.
 - De roterande revolverstoppskruvarna **(11)** kan användas till att lägga upp tre fräsdjup. Höjden kan justeras med hjälp av en platt skruvmejsel och en 8mm nyckel.

NOTERA: Genom att rotera revolverstoppet kan du snabbt lägga upp tre djupinställningar.

Finjustering av höjd - (Fig. D)

Den här fräsmaskinen har en inbyggd finjustering av höjden. Den används när det är nödvändigt att finjustera fråshuvudets höjd. Detta rekommenderas i synnerhet vid användning av sänksågar eller fräsbord.

Matarriktning - (Fig. L)



WARNING: Undvik medfräsning (fräsning i motsatt riktning mot vad som visas i Bild L). Stigande fräsning ökar risken för förlorad kontroll vilket kan resultera i skador. När "stigande fräsning" krävs (backa runt ett hörn), var mycket uppmärksam för att bibehålla kontrollen av fräsverktyget. Gör små fräsningar och ta bort minimalt med material vid varje passering.

Matarriktningen är mycket viktigt vid fräsning och kan avgöra skillnaden mellan ett lyckat arbete och ett förstört projekt. Bild L visar rätt riktning på matningen för de flesta fräsningar.

- Vid fräsning längs en kant måste riktningen på fräsens förflyttning gå mot fråshuvudets rotation. På så vis erhålls en korrekt fräsning och det förhindrar

att fråshuvudet nyper. Det drar också fräsen mot arbetsstycket och sidanslaget eller styrriktningen kommer inte vandra från arbetsstyckets kant lika mycket.

Matningshastighet

Hastigheten som fråshuvudet matas in i träet med får inte vara för hög, då motorn kan sakta ner, eller för låg så att fråshuvudet ger brännmärken på träytan.

NOTERA: Träna på att bedöma hastigheten genom att lyssna på motorljudet vid fräsning.

Sänkningsfrekvens



WARNING: Lås alltid sänkningslässpaken vid fräsning.

- Sänk ned och lås motorkorgen genom att trycka på snabbfrigöringsknappen **(7)**.
- Utför önskad fräsåtgärd.
- Tryck ned sänkningslässpaken **(6)** så återvänder motorkorgen till normalt läge.

Användning av sidanslag - (Fig. M)



FÖRSIKTIGHET: Säkerställ att arbetsställningen är bekväm och att ni har en lämplig arbetshöjd.

- Se till att vingmuttrarna **(28)** frigörs helt. Skjut in styrskenorna **(26)** i fräsbasen 10 och dra åt vingmuttrarna.
- Justera anslagets finjusteringsknopp **(29)** till önskat avstånd och fäst på plats med vingmuttrarna **(28)**.
- Sänk sedan fråshuvudhöjden tills fråshuvudet befinner sig precis ovanför arbetsstycket.
- Det går att göra finjusteringar genom att lossa vingmuttern **(28)** och justera sidanslagets finjusteringsknopp **(29)**.
- Dra åt vingmuttern **(28)** för att säkra positionen.

NOTERA: Ett varv på sidanslagets finjusteringsknopp **(29)** är lika med 1mm av sidmatningen.

- Sänk fråshuvudet mot arbetsstycket och välj fråshuvudhöjd till önskat avstånd. Se Val av fräsdjupet.
- Starta fräsen och när fråshuvudet uppnått full hastighet sänker ni försiktigt fråshuvudet mot arbetsstycket och låser sänkningsknappen.
- Mata längs arbetsstycket, håll tryck från sidan för att säkerställa att sidanslaget inte rör sig bort från arbetsstyckets kant och nedåtryck på innerhanden för att hindra fräsen från att välta.
- När du är klar höjer du fräsen, säkrar den med sänkningslässpaken **(6)** och stänger av den.

NOTERA: När fräsningen startat ska trycket behållas på framdelen tills bakkdelen är i kontakt med arbetsstyckets kant.

NOTERA: I slutet av fräsningen ska trycket behållas på bakkdelen tills fräsningen är avslutad. Det här förhindrar att fräsen svänger i slutet av arbetsstycket och nyper i hörnet.

Fräsning med sidanslag - (Fig. I, J)

Sidanslaget används för att leda fräsen vid listfräsning, kantprofilering eller falsning av kanten på ett arbetsstycke eller vid fräsning av fåror och skåror i mitten av arbetsstycket, parallellt mot kanten.

Kanten på arbetsstycket måste vara rakt och plant.

Slingorna (31) kan justeras och ska idealiskt ställas in till 3mm mellanrum på varje sida om fråshuvudet.

Styrning längs en ribba

Där ett kantanslag inte kan användas, kan man även styra överfräsen längs en ribba som kläms över arbetsstycket (utstickande över båda ändarna).

Frihandsfräsning



VARNING: Gör endast grunda skär! Använd fräsar med en max. diameter på 12mm.

Den överfräs kan även användas utan någon form av styrning, t ex för skyltskrivning eller kreativa arbeten.

Bordsläge - (Fig. Q)

(ENDAST T14E)



VARNING: Innan T14 installeras i fräsbordet, kontrollera att fräsbordet uppfyller alla lagstadgade säkerhetskrav för fräsbord. Läs alla säkerhetsvarningar, instruktioner, illustrationer och specifikationer som levereras med fräsbordet. Underlåtenhet att läsa alla instruktioner och säkerhetsanvisningar kan resultera i elektrisk stöt, eldsvåda och/eller allvarlig personskada



VARNING: För att minska risken för allvarliga personskador, ska enheten stängas av och strömförsörjningen kopplas bort innan några justeringar görs eller tillbehör eller insatser tas bort/ installeras. En oavsiktlig start kan orsaka personskada.



VARNING: Använd inte T14 som en handhållen fräs om strömbrytarlådans är ansluten.



SE UPP: Om det finns damm inuti strömbrytarens uttag, rengör det innan du använder strömbrytarlådans.

1. För att ansluta strömbrytarlådans (41) till fräsen, koppla bort verktyget från dess strömkälla.
2. Fäst strömbrytarlådans (41) på arbetsbänken i ett läge som är lättillgängligt för hand och där oavsiktlig inkoppling förhindras.

NOTERA: Den externa brytaren kan fästas på fräsbordet med de fyra monteringshålarna (42).

3. Kabeln måste installeras och fästas på ett sådant sätt att den inte kan klämmas eller vidröra vassa kanter.
4. Tryck på låsknappen (43) placerad på handtagets vänstra sida (44) med ett trubbigt verktyg för att låsa upp handtagetslocket (40).

NOTERA: Om det finns damm inuti strömbrytarens uttag, rengör det innan du använder strömbrytarlådans.

5. Tryck in låsknappen (43) och vrid handtaget (40) för att komma åt strömbrytarens uttag (46).
6. Se till att strömbrytaren på strömbrytarlådans är avstängd innan du ansluter till strömbrytarens uttag.
7. Anslut strömbrytarlådans kontakt (47) till strömbrytarens uttag (46).
8. Trä ringmuttern (48) på strömbrytarlådans kontakt (47) på strömbrytarens uttag (46) för att låsa den ordentligt.
9. Fäst överhandsfräsen under arbetsbänken, enligt din applikation eller instruktionerna för fräsbordet (41).
10. Anslut verktyget till strömkällan igen. Fräsen kan nu slås på och av genom omkopplaren (49) på strömbrytarlådans (42).
11. Dra ut omkopplaren (49) för att starta verktyget och tryck in omkopplaren för att stänga av den.

Montera T14:s inställningsdon för finjustering av höjd - (Fig. S1)

Inställningsdonet för finjustering av höjd (snabbhöjning) (61) för T14 kan användas portabelt eller när fräsen monteras omvänd på ett bord. Om ett åtkomsthål i lämplig storlek borras i fräsbordets oavsida kan höjden även justeras från bordets oavsida.

Så här ställer du in för finjustering av höjd:

1. Tryck ner fräsen och låsspaken.
2. Vrid den räfflade muttern (4) nedåt i tappens tills den ligger nära fräsens gjutna gafflar (62).
3. Justera basen för den räfflade muttern (4) så att den placeras i gafflarna (62).
4. Frigör inmatningslås-spaken.



VAR FÖRSIKTIG: Använd inte en eldriven borrar för att driva T14:s snabbhöjningsenhet. Använd endast det medföljande handtaget. Kontrollera att inmatningslåsspaken har frigjorts. Använd aldrig onödigt kraft för att rotera snabbhöjningsmekanismen. Lossa inte Torx®-skruvens sexkantsmutterar.

Använda T14 utan fin höjdjusterare - (Fig. S2)

Vid bärbar användning ska den räfflade muttern (4) lindas på toppen av tappen och handspännas mot sexkåpan. Basen på den räfflade muttern (4) ska vara i linje med gafflarna (62) i routerhöljet.



FÖRSIKTIGHET: I normalt skjutläge, se till att den räfflade mutterns bas är korrekt i linje med gafflarna i det nedre motorhuset. Detta gör det möjligt för skäret att dra tillbaka i basen på ett säkert sätt.

För portabel användning:

1. Placera inställningsdonhandtaget för finjustering av höjd (61) på den övre skruvspindelns sexkantsmutter (51).
2. Vrid handtaget medurs för att höja motorn och minska fräsdjupet.
3. Vrid handtaget moturs för att sänka motorn och öka fräsdjupet.

För användning med fräsbord - (Fig. S3)

1. Kontrollera att fräsen har monterats i fräsbordet; se motsatt sida.
2. Montera inställningsdonhandtaget för finjustering av höjd (61) genom fräsbordets fräshål och på den nedre skruvspindelns sexkantsmutter (64).
3. Vrid handtaget medurs för att höja motorn och öka fräshöjden.
4. Vrid handtaget moturs för att sänka motorn och minska fräshöjden.

Ett varv motsvarar 1,5mm. Reglage för inställningsdonhandtag för finjustering av höjd (63) kan återställas till noll.

Före användning

1. Se till att verktyget är rätt monterat i spänntången.
2. Ställ in fräsdjupet.
3. Koppla till en dammsugare.
4. Se alltid till att slagbegränsaren är låst innan maskinen kopplas på.

Fräsning med självstyrande fräsar - (Fig. R)

Där ett parallellanslag eller en styrhylsa inte är lämpliga, kan man använda självstyrande fräsvärktyg (50) för fräsning av formade kanter.

Dessa omfattar spänntänger (6–12,7 mm), ett djupanslag och fräsbord för bruk i omvänd position, sinkfräsar för laxstjärt- och fingersinkningsmallar, dyvlingsmallar, inställbara styrhylshållare och styrhylshållare och ledarrälsar i olika längder.

UNDERHÅLL

Ditt elverktyg från har konstruerats för att arbeta över en lång tidsperiod med minimalt underhåll. Kontinuerlig tillfredsställande drift beror på ordentlig verktygsvård och regelbunden rengöring.



WARNING: För att minska risken för allvarlig personskada, stäng av verktyget och koppla bort det från strömkällan innan du gör några justeringar eller tar bort/installerar tillsatser eller tillbehör. En oavsiktlig igångsättning kan orsaka personskada.

Reparationer



WARNING: För att säkerställa produktens SÄKERHET och PÅLITLIGHET, ska reparationer, underhåll och justering (inklusive reparationer av nätsladden och inspektion och byte av borstar, om tillämpligt) utföras av Trend Tool Technology Ltd servicecenter eller ett Trend Tool Technology Ltd auktoriserat servicecenter.

Använd alltid identiska reservdelar.

Smörjning

- Ditt elverktyg behöver ingen ytterligare smörjning.

Rengöring



WARNING: Blås bort smuts och damm från huvudkåpan med torr luft varje gång du ser smuts samlas i och runt lufthålen. Bär godkända ögonskydd och godkänt dammfilterskydd när du utför denna procedur.



WARNING: Använd aldrig lösningsmedel eller andra skarpa kemikalier för att rengöra de icke metalliska delarna på verktyget. Dessa kemikalier kan försvaga de material som används i dessa delar. Använd en trasa som bara är fuktad med vatten och mild tvål. Låt aldrig någon vätska komma in i verktyget; sänk aldrig ner någon del av verktyget i en vätska.

Extra tillbehör



VARNING: Eftersom andra tillbehör än de som erbjuds av Trend Tool Technology Ltd, inte testats med den här produkten kan användning av sådana tillbehör med detta verktyg vara farlig. För att minska risken för skador bör endast rekommenderade tillbehör för Trend Tool Technology Ltd användas med denna produkt.

Rådfråga din återförsäljare för ytterligare information angående lämpliga tillbehör.

Monteringspunkter i basen för tillbehör - (Fig. N)

Den här fräsen har tre gängade hål (53) som är inbyggda i basen vilket gör att den kan fästas mot andra tillbehör.

Opbergen

- Plaats het gereedschap na gebruik in de doos.

MILIEUBESCHERMING



Gooi grondstoffen niet weg maar zorg voor recycling.

Accessoires en verpakking moeten worden gesorteerd voor milieuvriendelijke recycling.

Gescheiden afvoer. Dit product mag niet worden afgevoerd met huishoudelijk afval.

Huishoudelijke gebruikers

Plaatselijke regelgeving voorziet mogelijk in de aparte inzameling van elektrische producten, bij een gemeentelijk milieupunt, of bij de leverancier waar u een nieuw product koopt. Neem contact op met de klantenservice van Trend over advies over de milieuverantwoorde afvoer van overtollige elektrische Trend producten, of bezoek www.trend-uk.com

Bedrijfsmatige gebruikers

Neem contact op met de klantenservice van Trend over de afvoer van overtollige elektrische Trend producten.

GARANTIE

Dit product heeft fabrieksgarantie in overeenstemming met voorwaarden op de bijgesloten garantiekaart.

Voor het adres van de dichtstbijzijnde Trend servicevertegenwoordiger kunt u de klantenservice van Trend bellen, of zie www.trend-uk.com



Trend Tool Technology Ltd.
Watford, WD24 7TR, England
Tel: 0044(0)1923 249911
technical@trendm.co.uk
www.trend-uk.com

EU Importer:
Trend Tool Technology Ltd.
3rd Floor, Kilmore House, Park Lane, Spencer Dock,
Dublin 1, Ireland

© Trend Tool Technology Ltd. 2022.
® All trademarks acknowledged E&OE



RECYCLABLE

No part of this publication may be reproduced, stored or transmitted in any form without prior permission. Our policy of continuous improvement means that specifications may change without notice. Trend Tool Technology Ltd. cannot be held liable for any material rendered unusable, or for any part of consequential loss. E&OE.



MANU/T12/E V2.0