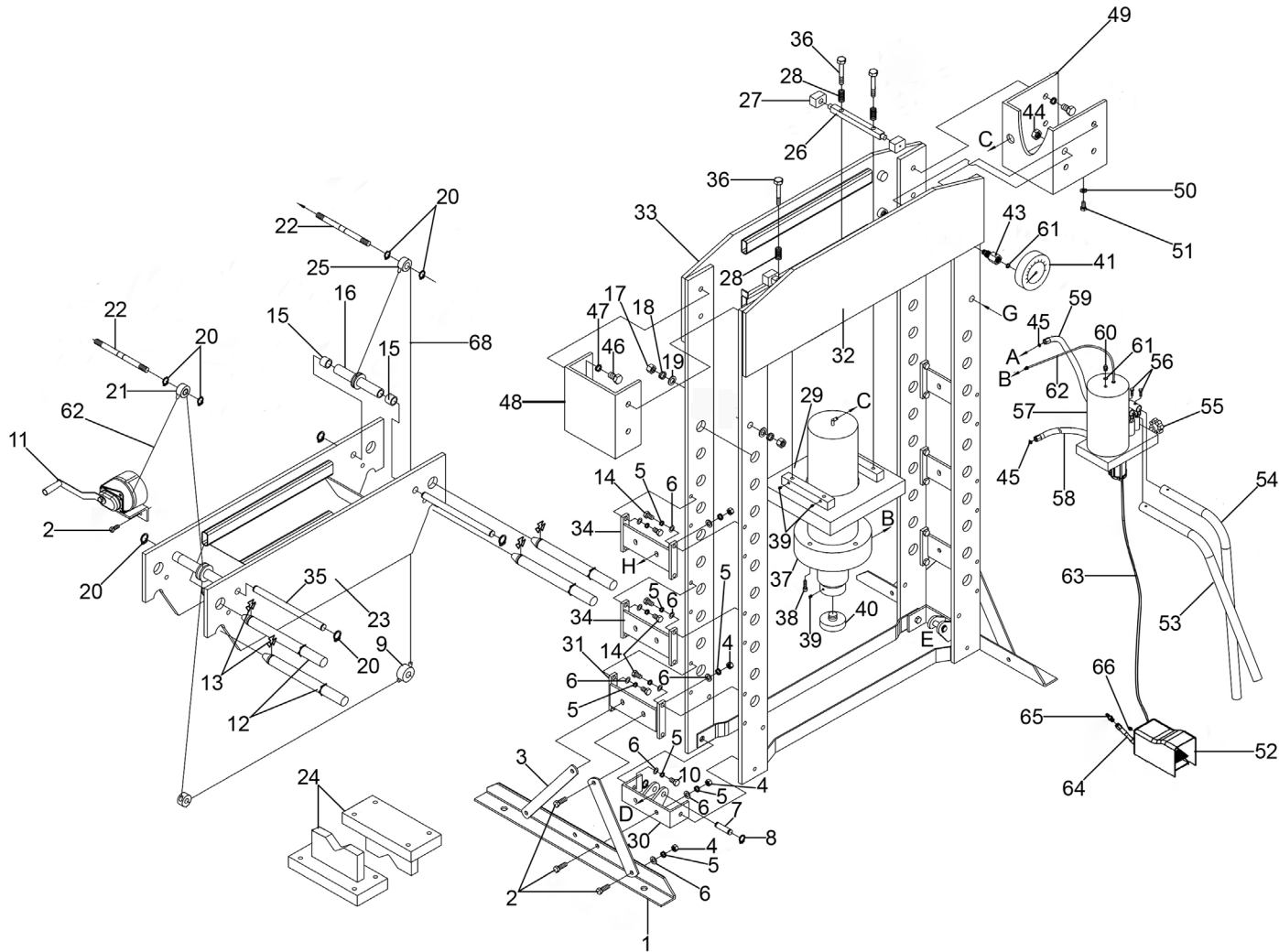




Parts Information:
Air/Hydraulic Press 75tonne Floor Type with Foot Pedal
Model No: YK759FAH



NOTE: It is our policy to continually improve products and as such we reserve the right to alter data, specifications and component parts without prior notice.

There may be alternative versions of this product, please contact us should you require this information.

IMPORTANT: No liability is accepted for incorrect use of product. Spare parts must be fitted by a competent person

WARRANTY: Guarantee is 12 months from purchase date, proof of which will be required for any claim.

Sealey Group, Kempson Way, Suffolk Business Park, Bury St Edmunds, Suffolk. IP32 7AR



01284 757500



sales@sealey.co.uk



www.sealey.co.uk



Parts Information:
**Air/Hydraulic Press 75tonne Floor Type
 with Foot Pedal**
Model No: YK759FAH

Item	Part No.	Description	Qty
1	YK759FAH.01	Base Section	2
2	SS1235.S	Hex Head Set Screw M12 x 35mm	14
3	YK759FAH.03	Support	4
4	SN12.S	Steel Nut M12	48
5	SWM12.S	Spring Washer M12	32
6	FWM12.S	Flat Washer M12	32
7	YK759FAH.07	Pin	2
8	600TR/27	External Circlip 14.5mm ID	4
9	YK759FAH.09	Roller	2
10	SS1225.S	Hex Head Set Screw M12 x 25mm	4
11	YK759FAH.11	Hand Winch	1
12	YK759FAH.12	Bed Frame Pin	4
13	YK759FAH.13	Retaining Clip	8
14	SS1230.S	Hex Head Set Screw M12 x 30mm	12
15	YK759FAH.15	Bush	2
16	YK759FAH.16	Shaft Wheel	1
17	SN20.S	Steel Nut M20	2
18	SWM20.S	Spring Washer M20	2
19	FWM20.S	Flat Washer M20	2
20	YK759FAH.20	External Circlip 18.3mm ID	4
21	YK759FAH.21	Roller	1
22	YK759F.22	Bolt	2
23	YK759FAH.23	Bed Frame	1
24	YK759F.24	V Block	2
25	YK759FAH.25	Roller	1
26	YK759FAH.26	Connecting Rod	2
27	B/6202ZZ	Bearing	4
28	YK759FAH.28	Spring Ø 16.9mm	4
29	YK759FAH.29	Under Plate	1
30	YK759FAH.30	Connecting Plate 1	1
31	YK759FAH.31	Connecting Plate 2	1
32	YK759FAH.32	Post 1	1
33	YK759FAH.33	Post 2	1
34	YK759FAH.34	Connecting Plate 3	4
35	YK759FAH.35	Pin	2
36	HHB10120.S	Hex Head Bolt M10 x 120mm	4
37	YK759FAH.37	Ram Assembly	1
38	SCB1035.SB	Socket Cap Bolt M10 x 35mm Black	4
39	GSM810.S	Grub Screw M8 x 10mm	4

Item	Part No.	Description	Qty
40	YK759FAH.40	Saddle, Serrated (M) Ø 78mm (Shaft Ø 25mm)	1
41	YK759FAH.41	Gauge, 120T, BTM Fitting Ø 110mm 1000KgF/cm ²	1
43	YK759FAH.43	Gauge Fitting	1
44	YK309FAH.24	Half Nut M20 x 1.5mm Fine Pitch	1
45	AK458DX.V4-20	O-Ring (8.84 x 5.28 x 1.78)	2
46	SS1630.S	Hex Head Set Screw M16 x 30mm	2
47	SWM14.S	Spring Washer M14	2
48	YK759FAH.48	Connecting Plate 4	1
49	YK759FAH.49	Connecting Plate 5	1
50	FWM10.S	Flat Washer M10	7
51	SS1020.S	Hex Head Set Screw M10 x 20mm	7
52	YK759FAH.52	Foot Pedal	1
53	YK759FAH.53	Handle 1	1
54	YK759FAH.54	Handle 2	1
55	YK759FAH.55	Release Valve	1
56	SS820.S	Hex Head Set Screw M8 x 20mm	2
57	YK759FAH.57	Pump Assembly	1
58	YK759FAH.58	Oil Hose, Short 740mm	1
59	YK759FAH.59	Oil Hose, Long 1420mm	1
60	YK509FAH.73	Oil Filler Nut	1
61	YK759FAH.61	Nylon Ring	2
62	YK759FAH.62	Oil Hose (4 x 7 x 2330)	1
63	YK759FAH.63	Air Hose 3/8" (1800mm)	1
64	YK759FAH.64	Air Hose (15 x 230)	1
65	YK759FAH.65	Quick Coupler, Male	1
66	YK759FAH.66	Screw	1
67	YK759FAH.67	Cable 1	1
68	YK759FAH.68	Cable 2	1
--	YK759FAH.P3	Plastic Roller Cover (Part 9) (Not Shown)	--
--	YK759FAH.P1	Plastic Roller Cover (Part 21) (Not Shown)	--
--	YK759FAH.P2	Plastic Roller Cover (Part 25) (Not Shown)	--
--	YK759FAH.69	Fixing Kit (Not Shown)	--
--	YK759FAH.CC	Cable Clamp (Not Shown)	--
--	YK759FAH.70	Pump Core (Not Shown)	--
--	YK759FAH.71	Pin, Pump Core (Not Shown)	--

NOTE: It is our policy to continually improve products and as such we reserve the right to alter data, specifications and component parts without prior notice. There may be alternative versions of this product, please contact us should you require this information.

IMPORTANT: No liability is accepted for incorrect use of product. Spare parts must be fitted by a competent person

WARRANTY: Guarantee is 12 months from purchase date, proof of which will be required for any claim.

Sealey Group, Kempson Way, Suffolk Business Park, Bury St Edmunds, Suffolk. IP32 7AR



01284 757500



sales@sealey.co.uk



www.sealey.co.uk