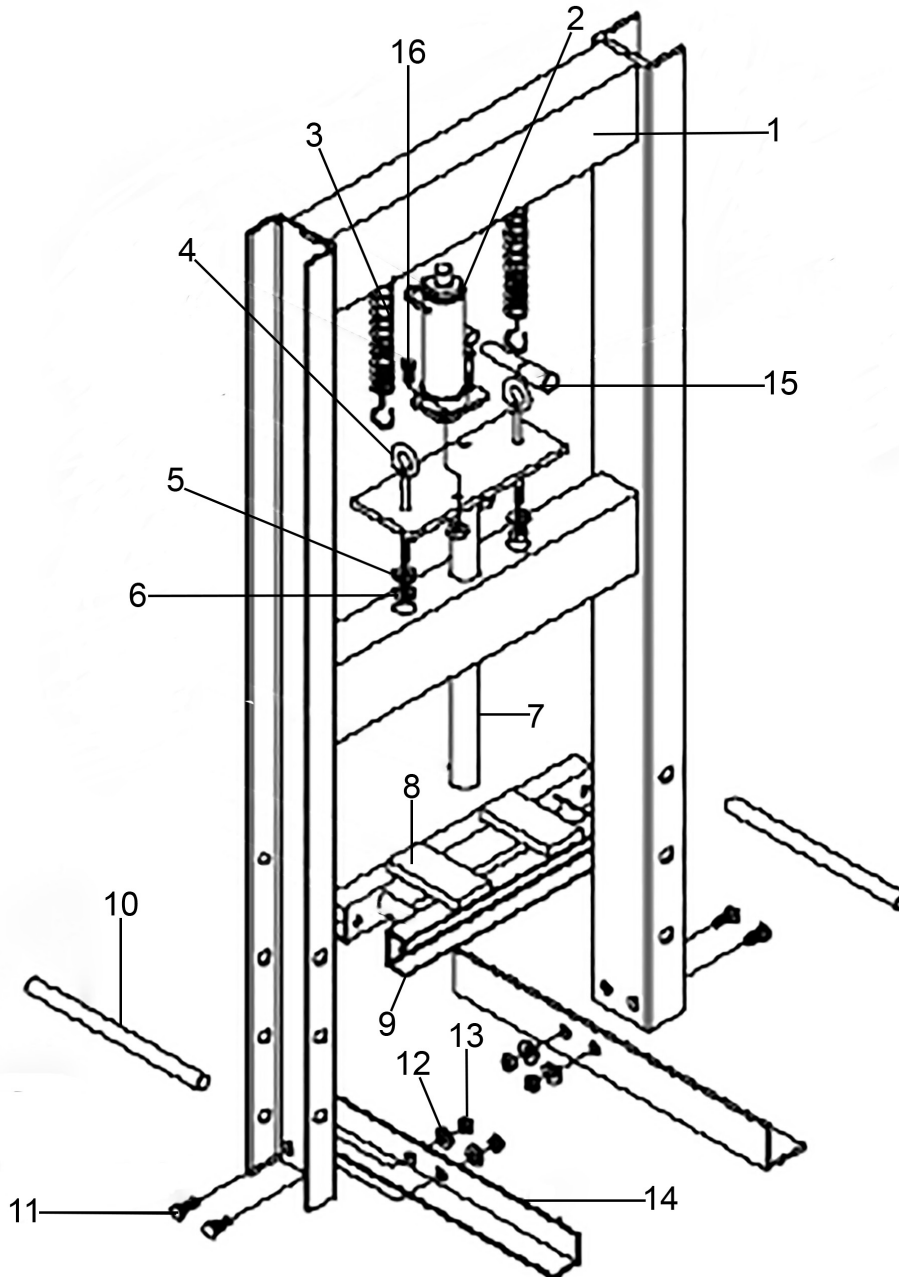


Parts Information:
Hydraulic Press 6tonne Economy Bench Type
Model No: YK6ECB



Item	Part No.	Description	Qty
1	YK6ECB.01	Upper Support	1
2	YK6ECB.02	Hydraulic Unit	1
3	YK6ECB.03	Spring Ø 20.4mm	2
4	YK10ECF.08	Hook Pin	2
5	YK6ECB.05	Washer	2
6	SN8.S	Steel Nut M8	2
7	YK6ECB.07	Middle Support	1
8	YK6ECB.08	Arbor Plate 155 x 65 x 18mm	2

Item	Part No.	Description	Qty
9	YK6ECB.09	Table	1
10	YK6ECB.10	Support Pin M12 x 80mm	2
11	YK6ECB.11	Hex Bolt M10 x 30mm	4
12	YK6ECB.12	Washer	4
13	SN10.S	Steel Nut M10	4
14	YK6ECB.14	Foot	2
15	YK20ECF.21	Handle	1
16	YK6ECB.16	Hex Bolt M8 x 30mm	2

NOTE: It is our policy to continually improve products and as such we reserve the right to alter data, specifications and component parts without prior notice. There may be alternative versions of this product, please contact us should you require this information.

IMPORTANT: No liability is accepted for incorrect use of product. Spare parts must be fitted by a competent person

WARRANTY: Guarantee is 12 months from purchase date, proof of which will be required for any claim.