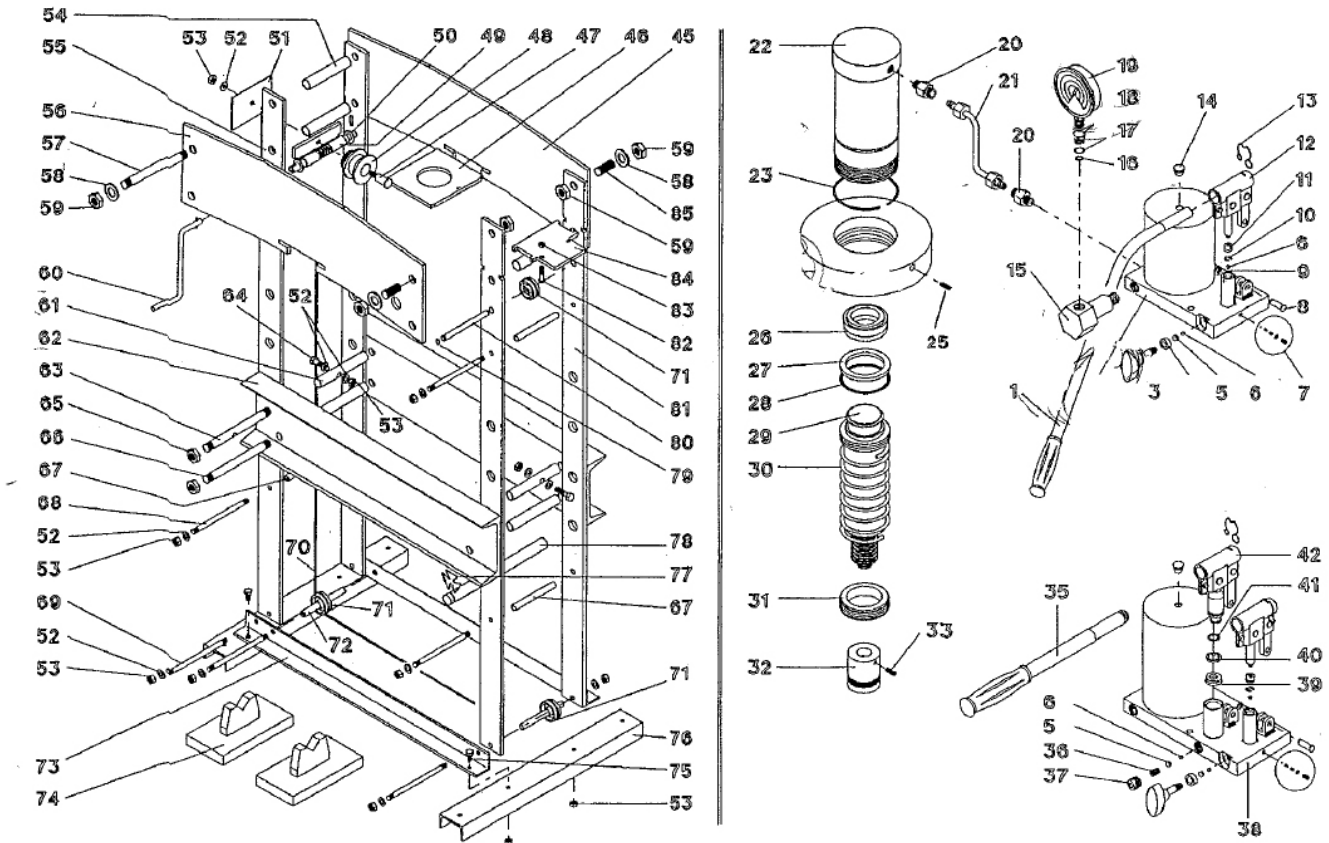




Parts Information:
Hydraulic Press Premier Plus 50tonne
Floor Type
Model No: YK50FM



NOTE: It is our policy to continually improve products and as such we reserve the right to alter data, specifications and component parts without prior notice.

IMPORTANT: No liability is accepted for incorrect use of product.

WARRANTY: Guarantee is 12 months from purchase date, proof of which will be required for any claim.

Sealey Group, Kempson Way, Suffolk Business Park, Bury St Edmunds, Suffolk. IP32 7AR



01284 757500



01284 703534



sales@sealey.co.uk



www.sealey.co.uk

Item	Part No.	Description
1	YK50FM/35	HANDLE,PUMPING
3	YK50FM/03	RELEASE VALVE KNOB
4	MG-2/1130	O-RING
5	SB-8.0	STEEL BALL 8.0mm
6	SB-5.6	STEEL BALL 5.6mm
7	MG-2/C9	SAFETY VALVE
8	MG-2/1344	AXLE
9	MB-22-A/1286	CIRCLIP
10	MG-2/1161	CIRCLIP
11	MG-2/1133	SEAL
12	BK05-C7M	HANDLE SOCKET ASS'Y
13	BK-1/1282	CLIP
14	BK09-C55M	PLUG
15	A-5578	CONNECTOR
16	MB-22-A/1130	O-RING
17	MB-22-A/1130	O-RING
18	Y-2/1160	SCREW
20	YK50FM/20	CONNECTOR
21	YK50FM/21	PIPE
22	CMK-50	RAM
23	YK50FM/23	RING
24	CM-50/1508	NUT, RAM RETAINING
25	YK50FM/25	GRUB SCREW
26	ME50001/1134H	SEAL (ME-50001/113SEAL
27	CSK-50/1164	RING
28	CSK-50/1348	O-RING
29	CMK-50	RAM
30	KCK50/62	SPRING
31	YK50FM/31	NUT
32	YK50FM/32	SADDLE
33	YK50FM/25	GRUB SCREW
36	ME-1501/1162	SPRING
37	Y-2/1160	SCREW
38	BKD-09	PUMP (CURRENT VERSION)
39	ME-1501/1134	SEAL (22x12.5x7)
40	YK50FM/40	O-RING
41	TR-2/1289	O-RING
42	YK50FM/42	HANDLE SOCKET (L)
45	YK50FM/45	FRAME
46	YK50FM/46	CYLINDER SUPPORT
47	KCM-50/1959	AXLE
48	YK50FM/48	PULLEY,WORM GEAR
49	YK50FM/49	WORM GEAR SHAFT
50	YK50FM/50	WASHER
51	YK50FM/51	COVER SO
52	FWM12.S	FLAT WASHER M12 SINGLE

Item	Part No.	Description
53	SN12.S	STEEL NUT M12 ZINC DIN934(SINGLE)
54	KPM-30/2133	BUSHING
55	YK50FM/55	UPRIGHT
56	YK50FM/56	FRAME
57	KPM-30/1197	AXLE
58	YK50FM/58	WASHER M22
59	YK50FM/59	HALF NUT
60	KCK-50/1962	WINDING HANDLE
61	KPM-30/1370-S	BUSHING
62	YK50FM/62	CROSS SECTION
63	KPM-30/1367-S	AXLE
64	YK50FM/64	SCREW
65	SN20.S	STEEL NUT M20 ZINC DIN934(SINGLE)
66	KPM-30/1367	AXLE
67	KPM-30/2206	BUSHING
68	KPM-30/1264	AXLE
69	KPM-30/1670	AXLE
--	KC-50/1947	WIRE (NOT SHOWN)
71	YK50FM/71	PULLEY
--	YK50FM/72	BUSHING (NOT SHOWN)
73	YK50FM/73	CROSS SECTION
74	KCK-50A/C15	V BLOCK
75	KMM-30/1333	SCREW
76	YK50FM/76	FOOT
--	KCK-50/1330	FEET (SET OF 2) (c/w FIXINGS) (NOT SHOWN)
--	KCK-50/1330-R	FEET (SET OF 2) (NOT SHOWN)
77	KMM-15/1366	CLIP
78	KPM-30/1365	AXLE
79	YK50FM/79	CLIP
80	KCK-50A-C1M	FRAME
81	YK50FM/81	UPRIGHT
82	EF-1.5/1315	BOLT M8X40
83	YK50FM/83	NUT
84	YK50FM/84	PLATE,TOP PULLEY
85	YK50FM/85	STUD
--	A-5110	GAUGE 700kg/cm2,100mm OD, Back Fitting. (NOT SHOWN)
--	YK50FM/RK	REPAIR KIT (NOT SHOWN)
--	BKD-09	PUMP (CURRENT VERSION) (NOT SHOWN)
--	BKD-09A	PUMP (OLD VERSION FOR KCK-50 FRAME) (NOT SHOWN)
--	CMK-50	RAM (NOT SHOWN)
--	CMK-50	RAM (NOT SHOWN)
--	A-5083	GAUGE 100mm 0-700psi BOTTOM MOUNTED (NOT SHOWN)
--	YK50FM/RAM-EX	HYDRAULIC RAM(NOT SHOWN)

NOTE: It is our policy to continually improve products and as such we reserve the right to alter data, specifications and component parts without prior notice.

IMPORTANT: No liability is accepted for incorrect use of product.

WARRANTY: Guarantee is 12 months from purchase date, proof of which will be required for any claim.

Sealey Group, Kempson Way, Suffolk Business Park, Bury St Edmunds, Suffolk. IP32 7AR



01284 757500



01284 703534



sales@sealey.co.uk



www.sealey.co.uk