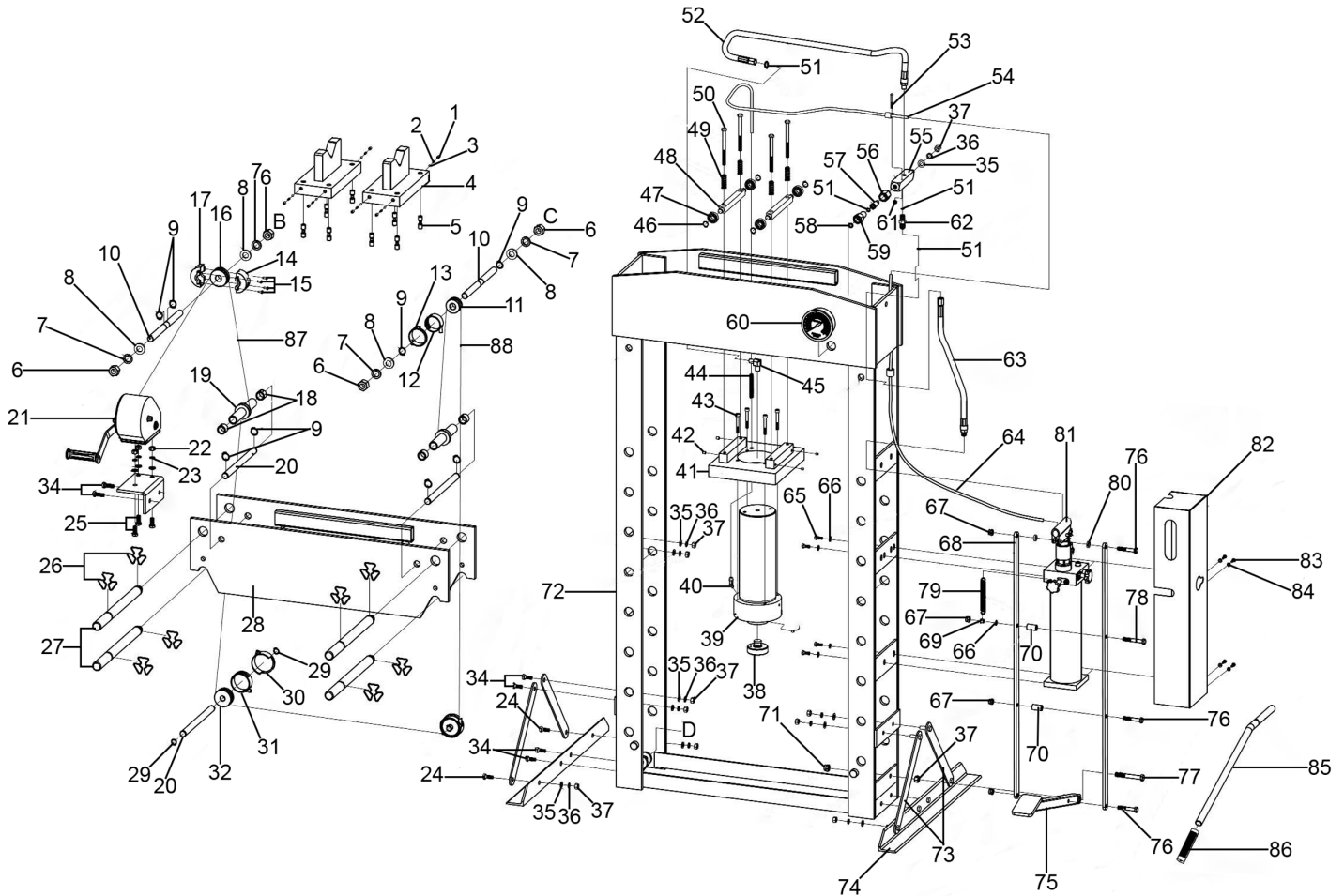


## Parts Information: Hydraulic Press Premier 50 Tonne Floor Type with Foot Pedal Model No: YK50FFP



Item	Part No.	Description	Qty
1	GSM810.S	Grub Screw M8 x 10mm	8
2	YK50FFP.02	Spring Ø 4.8mm	8
3	SB-5.6	Steel Ball 5.6mm	8
4	YK50FFP.04	V-Block	2
5	YK50FFP.05	Screw	8
6	YK50FFP.06	Nut	4
7	YK50FFP.07	Lock Washer	4
8	YK50FFP.08	Flat Washer	4
9	YK50FFP.09	O-Ring	8
10	YK50FFP.10	Pin, Roller	2

Item	Part No.	Description	Qty
11	YK759FAH.25	Roller	1
12	YK50FFP.12	Protective Housing C	1
13	YK50FFP.13	Protective Housing D	1
14	YK50FFP.14	Protective Housing A	1
15	YK50FFP.15	Screw	4
16	YK50FFP.16	Roller C	1
17	YK50FFP.17	Protective Housing B	1
18	YK759FAH.15	Bush	4
19	YK50FFP.19	Shaft Wheel Assembly	2
20	YK759FAH.07	Pin	4

**NOTE:** It is our policy to continually improve products and as such we reserve the right to alter data, specifications and component parts without prior notice. There may be alternative versions of this product, please contact us should you require this information.

**IMPORTANT:** No liability is accepted for incorrect use of product. Spare parts must be fitted by a competent person

**WARRANTY:** Guarantee is 12 months from purchase date, proof of which will be required for any claim.



Parts Information:  
**Hydraulic Press Premier 50 Tonne Floor  
Type with Foot Pedal  
Model No: YK50FFP**

Item	Part No.	Description	Qty
21	YK759F.11	Hand Winch	1
22	YK50FFP.22	Nut	3
23	SWM10.S	Spring Washer M10	3
24	SS1230.S	Hex Head Set Screw M12 x 30mm	4
25	SS1025.S	Hex Head Set Screw M10 x 25mm	3
26	YK759FAH.13	Retaining Clip	8
27	YK509F.12	Pin, Table Support 400 x 30mm	4
28	YK50FFP.28	Bed Frame	1
29	YK50FFP.29	Ring	4
30	YK50FFP.30	Protective Housing B	2
31	YK50FFP.31	Protective Housing A	2
32	YK759FAH.21	Roller	1
34	YK50FFP.34	Bolt	10
35	YK50FFP.35	Flat Washer	11
36	YK50FFP.36	Lock Washer	11
37	YK50FFP.37	Nut	12
38	YK50FFP.38	Saddle, Serrated (M) Ø 68mm (Shaft Ø 25mm)	1
39	YK50FFP.39	Ram	1
40	YK50FFP.40	Air Hose Connection	1
41	YK50FFP.41	Ram Plate	1
42	YK50FFP.42	Screw	1
43	YK50FFP.43	Screw	4
44	YK50FFP.44	Screw	1
45	YK50FFP.45	Elbow Fitting	1
46	YK50FFP.46	Retaining Ring	4
47	B/6202ZZ	Bearing	4
48	YK50FFP.48	Connecting Plate	2
49	YK50FFP.49	Spring Ø 16.45mm	4
50	HHB10120.S	Hex Head Bolt M10 x 120mm	4
51	SA802.23	O-Ring (9.63 x 6.07 x 1.78)	4
52	YK50FFP.52	Oil Hose, Ram 20 x 1240mm	1
53	YK50FFP.53	Screw	1
54	YK50FFP.54	Air Hose	1
55	YK50FFP.55	Union Seat	1
56	YK50FFP.56	Union Nut	1
57	YK50FFP.57	Union Screw	1

Item	Part No.	Description	Qty
58	YK759FAH.61	Nylon Ring	1
59	YK509FAH.43	Gauge Fitting	1
60	YK50FFP.60	Pressure Gauge	1
61	NLN5.S	Nyloc Nut M5	1
62	YK50FFP.62	Joint	1
63	YK50FFP.63	Oil Hose, Pump 20 x 760mm	1
64	YK50FFP.64	Air hose 4 x 6 x 2570mm	1
65	YK50FFP.65	Bolt	4
66	YK50FFP.66	Flat Washer	5
67	NLN10.S	Nyloc Nut M10	4
68	YK50FFP.68	Support	2
69	YK50FFP.69	Bushing	1
70	YK50FFP.70	Bushing	2
71	YK50FFP.71	Nut	1
72	YK50FFP.72	Frame	1
73	YK50FFP.73	Support	4
74	YK50FFP.74	Base Section	2
75	YK50FFP.75	Foot Pedal	1
76	SS1055.S	Hex Head Set Screw M10 x 55mm	3
77	YK50FFP.77	Bolt	1
78	YK50FFP.78	Bolt	1
79	YK50FFP.79	Spring Ø 22.6mm	1
80	YK50FFP.80	Bushing	2
81	YK50FFP.81	Pump	1
82	YK50FFP.82	Protective Housing, Pump	1
83	YK50FFP.83	Screw	4
84	YK50FFP.84	Flat Washer	4
85	YK50FFP.85	Handle	1
86	YK50FFP.86	Handle Grip	1
87	YK50FFP.87	Steel Cable A	1
88	YK50FFP.88	Steel Cable B	1
--	YK509FAH.50	Release Valve (Not Shown)	--
--	YK50FFP.P	Plastic Roller Cover (Not Shown)	--
--	YK50FFP.P20	Release Valve, Long (Not Shown)	--
--	YK50FFP.P40	O-Ring (13.11 x 7.08 x 3.02) (Not Shown)	--
--	YK509F.CC	Cable Clamp (Not Shown)	--

**NOTE:** It is our policy to continually improve products and as such we reserve the right to alter data, specifications and component parts without prior notice. There may be alternative versions of this product, please contact us should you require this information.

**IMPORTANT:** No liability is accepted for incorrect use of product. Spare parts must be fitted by a competent person

**WARRANTY:** Guarantee is 12 months from purchase date, proof of which will be required for any claim.

Sealey Group, Kempson Way, Suffolk Business Park, Bury St Edmunds, Suffolk. IP32 7AR



01284 757500



sales@sealey.co.uk



www.sealey.co.uk