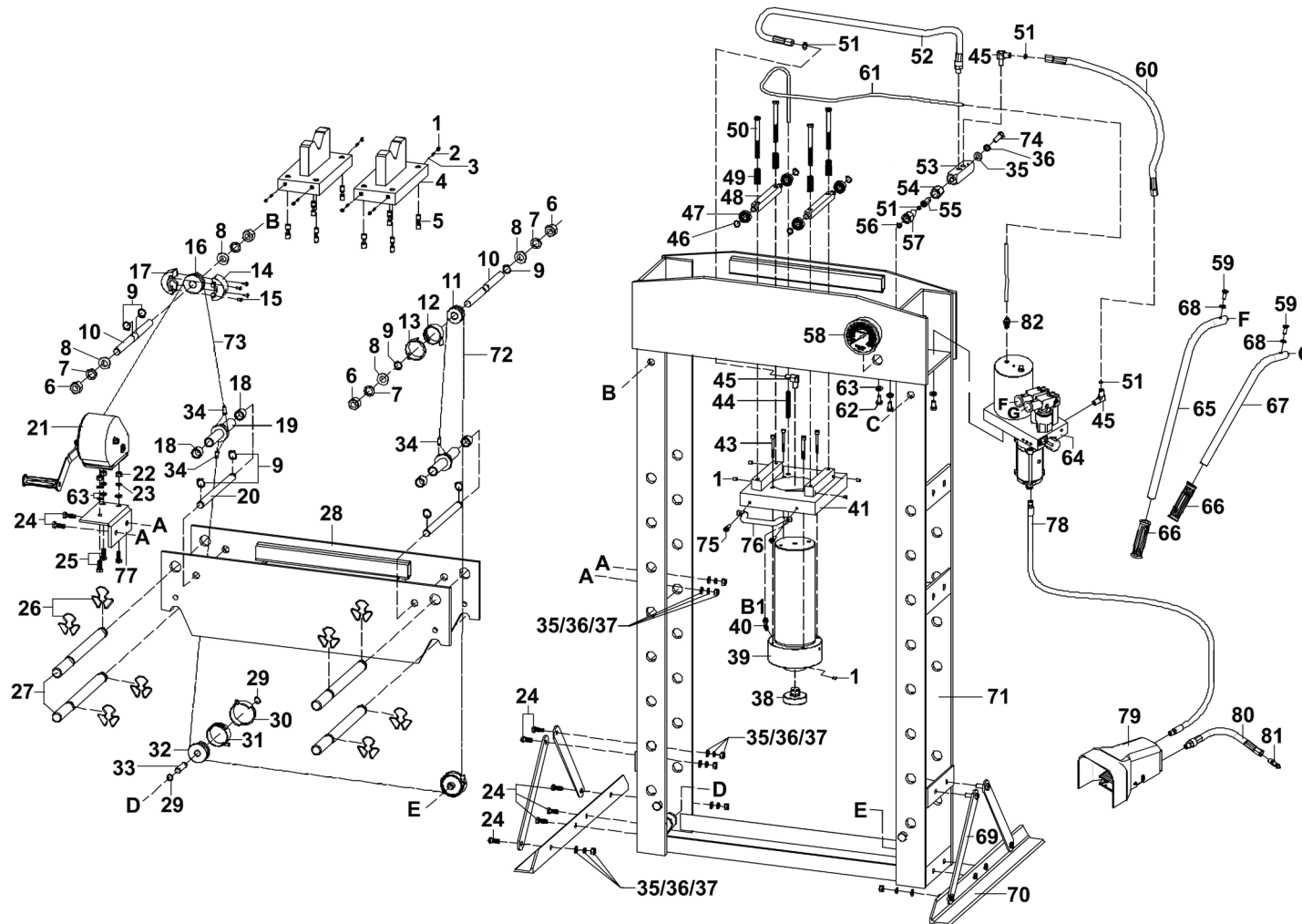




Parts Information:
Air/Hydraulic Press 50tonne Floor Type with Foot Pedal
Model No: YK509FAH.V2



NOTE: It is our policy to continually improve products and as such we reserve the right to alter data, specifications and component parts without prior notice.

There may be alternative versions of this product, please contact us should you require this information.

IMPORTANT: No liability is accepted for incorrect use of product. Spare parts must be fitted by a competent person

WARRANTY: Guarantee is 12 months from purchase date, proof of which will be required for any claim.

Sealey Group, Kempson Way, Suffolk Business Park, Bury St Edmunds, Suffolk. IP32 7AR



01284 757500



01284 703534



sales@sealey.co.uk



www.sealey.co.uk



Parts Information:
Air/Hydraulic Press 50tonne Floor Type
with Foot Pedal
Model No: YK509FAH.V2

| Item | Part No. | Description |
|------|----------------|----------------------------------|
| 1 | GSM810.S | Grub Screw M8x10 (Single) |
| 2 | YK509FAH.V2-02 | Spring Dia 4.8mm |
| 3 | SB-5.6 | Steel ball 5.6mm |
| 4 | YK509FAH.V2-04 | V-Block |
| 5 | YK509FAH.V2-05 | Roller |
| 6 | YK509FAH.V2-06 | Nut |
| 7 | YK509FAH.V2-07 | Washer |
| 8 | YK509FAH.V2-08 | Spring Washer |
| 9 | SM353CEV2.048 | External Circlip 18.4mm ID |
| 10 | YK509FAH.V2-10 | Threaded Rod |
| 11 | YK509FAH.V2-11 | Roller |
| 12 | YK509FAH.V2-12 | Protective Housing (No.3) |
| 13 | YK509FAH.V2-13 | Protective Housing (D) |
| 14 | YK509FAH.V2-14 | Protective Housing (A) |
| 15 | YK509FAH.V2-15 | Screw |
| 16 | YK509FAH.V2-16 | Roller |
| 17 | YK509FAH.V2-17 | Protective Housing (B) |
| 18 | YK509FAH.V2-18 | Bush |
| 19 | YK509FAH.V2-19 | Shaft Wheel |
| 20 | YK509FAH.V2-20 | Pin (M20 X 275) |
| 21 | YK509FAH.V2-21 | Hand Winch |
| 22 | SN10.S | Steel Nut M10 Zinc |
| 23 | SWM10.S | Spring Washer M10 Zinc |
| 24 | SS1235.S | Hex Head Set Screw M12 X 35 |
| 25 | SS1025.S | Hex Head Set Screw M10 X 25 Zinc |
| 26 | YK509FAH.V2-26 | Retaining Clip |
| 27 | YK509FAH.V2-27 | Pin, Table Support 400x30mm |
| 28 | YK509FAH.V2-28 | Bed Frame |
| 29 | YK509FAH.V2-29 | Ring |
| 30 | YK509FAH.V2-30 | Protective Housing (B) |
| 31 | YK509FAH.V2-31 | Protective Housing (A) |
| 32 | YK509FAH.V2-32 | Roller |
| 33 | YK509FAH.V2-33 | Roller Pin |
| 34 | YK509FAH.V2-34 | Cable Protection |
| 35 | FWM12.S | Flat Washer M12 Zinc |
| 36 | SWM12.S | Spring Washer M12 Zinc |
| 37 | SN12.S | Steel Nut M12 Zinc |
| 38 | YK509FAH.V2-38 | Saddle (Serrated) |
| 39 | YK509FAH.V2-39 | Ram Ass'y |
| 40 | YK509FAH.V2-40 | Air Hose Connection |
| 41 | YK509FAH.V2-41 | Under Plate |

| Item | Part No. | Description |
|------|----------------|---|
| 43 | YK509FAH.V2-43 | Screw |
| 44 | YK509FAH.V2-44 | Spring |
| 45 | YK509FAH.V2-45 | Elbow Fitting |
| 46 | YK509FAH.V2-46 | Retaining Ring |
| 47 | B/6202ZZ | Bearing 6202zz |
| 48 | YK509FAH.V2-48 | Connecting Rod |
| 49 | YK509FAH.V2-49 | Spring Dia 16.5mm |
| 50 | HHB10100.S | Hex Head Bolt M10 x 100mm |
| 51 | AK458DX.V4-20 | O-ring, (Ex: 8.84 In: 5.28 Cs: 1.78) |
| 52 | YK509FAH.V2-52 | Oil Hose (2) |
| 53 | YK509FAH.V2-53 | Holddown |
| 54 | YK509FAH.V2-54 | Deep Nut |
| 55 | YK509FAH.V2-55 | Banjo Fixing |
| 56 | YK509FAH.V2-56 | Nylon Ring |
| 57 | YK509FAH.V2-57 | Gauge Fitting |
| 58 | YK509FAH.V2-58 | Pressure Gauge 1000Kgf/Cm2 80 Tonnes (110mm Od) |
| 59 | SS820.S | Hex Head Set Screw M8 X 20 Zinc |
| 60 | YK509FAH.V2-60 | Oil Hose 20mm x 270mm |
| 61 | YK509FAH.V2-61 | Oil Hose 6mm x 8mm x 1340mm |
| 62 | YK509FAH.V2-62 | Screw |
| 63 | FWM10.S | Flat Washer M10 Zinc |
| 64 | YK509FAH.V2-64 | Pump Ass'y |
| 65 | YK509FAH.V2-65 | Handle |
| 66 | YK509FAH.V2-66 | Handle Grip |
| 67 | YK509FAH.V2-67 | Handle (1) |
| 68 | FWM8.S | Flat Washer M8 Zinc |
| 69 | YK509FAH.V2-69 | Support |
| 70 | YK509FAH.V2-70 | Base Section |
| 71 | YK509FAH.V2-71 | Frame |
| 72 | YK509FAH.V2-72 | Cable (A) |
| 73 | YK509FAH.V2-73 | Cable (B) |
| 74 | SS1225.S | Hex Head Set Screw M12 X 25 Zinc |
| 75 | YK509FAH.V2-75 | Screw For Carry Handle |
| 76 | YK509FAH.V2-76 | Carry Handle |
| 77 | YK509FAH.V2-77 | Plate For Handwinch |
| 78 | YK509FAH.V2-78 | Air Hose (179mm) |
| 79 | YK509FAH.V2-79 | Foot Pedal |
| 80 | YK509FAH.V2-80 | Air Hose 15mm x 230mm |
| 81 | YK509FAH.V2-81 | Quick Coupler (Male) |
| 82 | YK509FAH.V2-82 | Oil Filler Nut |

NOTE: It is our policy to continually improve products and as such we reserve the right to alter data, specifications and component parts without prior notice. There may be alternative versions of this product, please contact us should you require this information.

IMPORTANT: No liability is accepted for incorrect use of product. Spare parts must be fitted by a competent person

WARRANTY: Guarantee is 12 months from purchase date, proof of which will be required for any claim.

Sealey Group, Kempson Way, Suffolk Business Park, Bury St Edmunds, Suffolk. IP32 7AR



01284 757500



01284 703534



sales@sealey.co.uk



www.sealey.co.uk