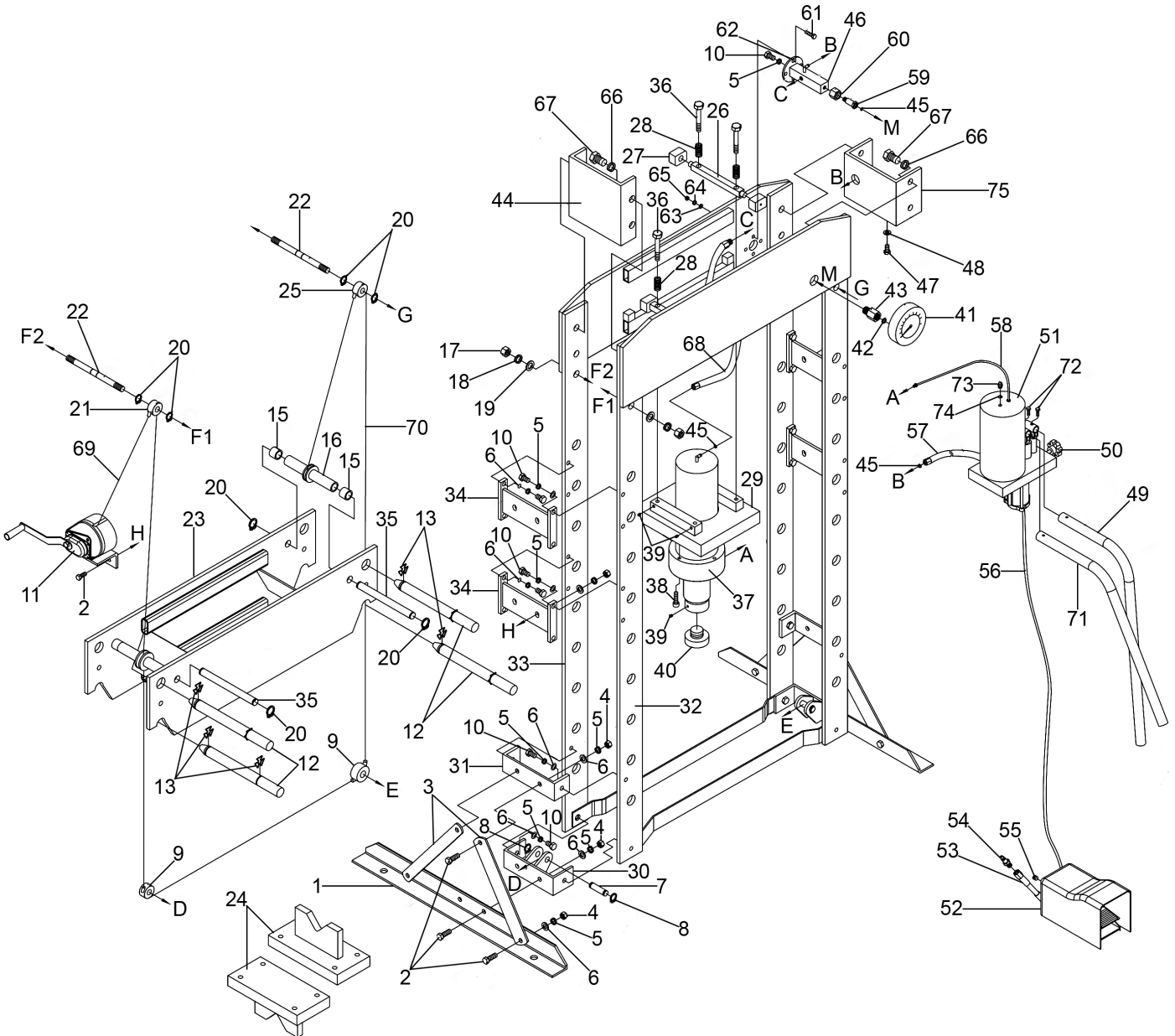


Parts Information:  
**Air/Hydraulic Press 50tonne Floor Type  
 with Foot Pedal**  
**Model No: YK509FAH**



**NOTE:** It is our policy to continually improve products and as such we reserve the right to alter data, specifications and component parts without prior notice. There may be alternative versions of this product, please contact us should you require this information.

**IMPORTANT:** No liability is accepted for incorrect use of product. Spare parts must be fitted by a competent person

**WARRANTY:** Guarantee is 12 months from purchase date, proof of which will be required for any claim.



Parts Information:  
**Air/Hydraulic Press 50tonne Floor Type  
 with Foot Pedal**  
**Model No: YK509FAH**

Item	Part No.	Description	Qty
1	YK759FAH.01	Base Section	2
2	SS1235.S	Hex Head Set Screw M12 x 35mm	14
3	YK759FAH.03	Support	4
4	SN12.S	Steel Nut M12	48
5	SWM12.S	Spring Washer M12	31
6	FWM12.S	Flat Washer M12	26
7	YK759FAH.07	Pin	2
8	600TR/27	External Circlip 14.5mm ID	4
9	YK759FAH.09	Roller	2
10	SS1225.S	Hex Head Set Screw M12 x 25mm	17
11	YK759F.11	Hand Winch	1
12	YK509F.12	Pin, Table Support 400 x 30mm	4
13	YK759FAH.13	Retaining Clip	8
15	YK759FAH.15	Bush	2
16	YK509FAH.16	Shaft Wheel	1
17	SN20.S	Steel Nut M20	4
18	SWM20.S	Spring Washer M20	4
19	FWM20.S	Flat Washer M20	4
20	SM353CEV2.048	External Circlip 18.4mm ID	4
21	YK509FAH.21	Roller	1
22	YK509F.22	Bolt	2
23	YK509FAH.23	Bed Frame	1
24	YK509FAH.24	V-Block	2
25	YK509FAH.25	Roller	1
26	YK509FAH.26	Connecting Rod	2
27	B/6202ZZ	Bearing	4
28	YK509FAH.28	Spring Ø 16.5mm	4
29	YK509FAH.29	Under Plate	1
30	YK509FAH.30	Connecting Plate A	2
31	YK509FAH.31	Connecting Plate B	2
32	YK509FAH.32	Post 1	1
33	YK509FAH.33	Post 2	1
34	YK509FAH.34	Connecting Plate / Connecting plate	4
35	YK509FAH.35	Pin M20 x 275mm	2
36	HHB10100.S	Hex Head Bolt M10 x 100mm	4
37	YK509FAH.37	Ram Assembly	1
38	SCB1070.SB	Socket Cap Bolt M10 x 70mm Black	4
39	GSM810.S	Grub Screw M8 x 10mm	4
40	YK509FAH.40	Saddle, Serrated (M) Ø 68mm (Shaft Ø 25mm)	1

Item	Part No.	Description	Qty
41	YK509FAH.41	Pressure Gauge 80T, Rear Fitting, Ø 110mm (1000KgF/cm <sup>2</sup> )	1
42	YK759FAH.61	Nylon Ring	1
43	YK509FAH.43	Gauge Fitting	1
44	YK509FAH.44	Connecting Plate	1
45	AK458DX.V4-20	O-Ring (8.84 x 5.28 x 1.78)	2
46	YK509F.46	Banjo Fixing A	1
47	SS1020.S	Hex Head Set Screw M10 x 20mm	3
48	FWM10.S	Flat Washer M10	3
49	YK759FAH.54	Handle 1	1
50	YK509FAH.50	Release Valve	1
51	YK509FAH.51	Pump Assembly	1
52	YK759FAH.52	Foot Pedal	1
53	YK509FAH.53	Air hose 15mm x 230mm	1
54	YK509FAH.54	Quick Coupler (M)	1
55	YK509FAH.55	Screw	1
56	YK509FAH.56	Air Hose (179mm)	1
57	YK509FAH.57	Oil Hose 1 (20mm x 270mm)	1
58	YK509FAH.58	Oil Hose 2 (6mm x 8mm x 1340mm)	1
59	YK509F.59	Banjo Fixing B	1
60	YK509FAH.60	Deep Nut	1
61	YK509FAH.61	Bolt M8 x 30mm	4
62	YK509FAH.62	Hold Down	1
63	FWM8.S	Flat Washer M8	2
64	SWM8.S	Spring Washer M8	2
65	SN8.S	Steel Nut M8	2
66	SWM16.S	Spring Washer M16	8
67	SS1630.S	Hex Head Set Screw M16 x 30mm	8
68	YK509FAH.68	Oil Hose 3	1
69	YK509FAH.69	Cable 1	1
70	YK509FAH.70	Cable 2	1
71	YK759FAH.53	Handle 2	1
72	SS820.S	Hex Head Set Screw M8 x 20mm	2
73	YK509FAH.73	Oil Filler Nut	1
74	YK759FAH.61	Nylon Ring	1
75	YK509FAH.75	Connecting Plate	1
--	YK509F.RS	Ram Seal Kit (Not Shown)	--
--	YK509F.SK	Pump Seal Kit (Not Shown)	--
--	YK509FAH.76	Screw (Not Shown)	--
--	YK509FAH.P	Plastic Roller Cover (Not Shown)	--

**NOTE:** It is our policy to continually improve products and as such we reserve the right to alter data, specifications and component parts without prior notice. There may be alternative versions of this product, please contact us should you require this information.

**IMPORTANT:** No liability is accepted for incorrect use of product. Spare parts must be fitted by a competent person

**WARRANTY:** Guarantee is 12 months from purchase date, proof of which will be required for any claim.

Sealey Group, Kempson Way, Suffolk Business Park, Bury St Edmunds, Suffolk. IP32 7AR



01284 757500



sales@sealey.co.uk



www.sealey.co.uk