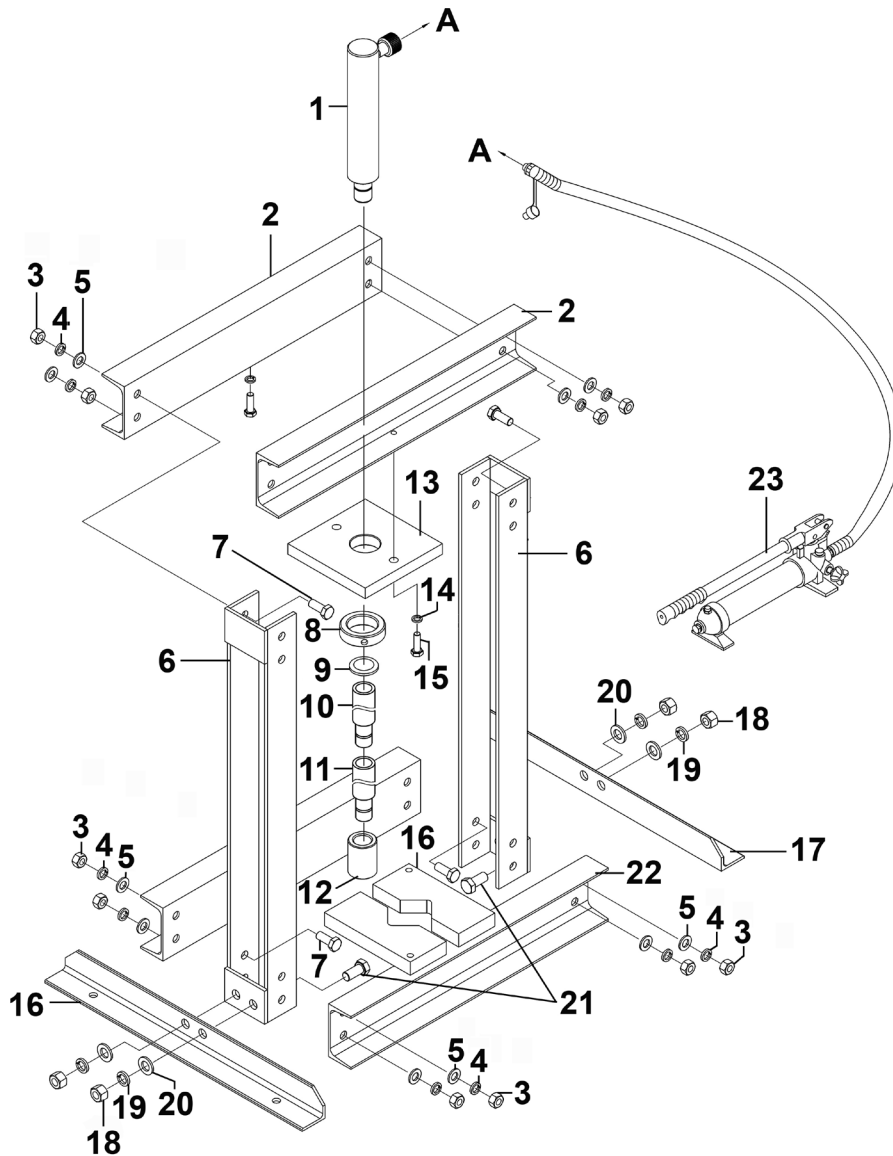


Parts Information:  
**Hydraulic Press 4tonne Bench Type  
 without Gauge**  
**Model No: YK4B.V2**



Item	Part No.	Description
1	YK4B.V2-01	Ram
2	YK4B.V2-02	Crossbeam
3	SN10.S	Steel Nut M10 Zinc
4	SWM10.S	Spring Washer M10 Zinc
5	FWM10.S	Flat Washer M10 Zinc
6	YK4B.V2-06	Upright (Left)
7	SS1025.S	Hex Head Set Screw M10 X 25 Zinc
8	YK4B.V2-08	Ring Nut
9	YK4B.V2-09	Seal for Stepped Adaptor
10	YK4B.V2-10	Stepped Adaptor (A)
11	YK4B.V2-11	Stepped Adaptor (B)
12	YK4B.V2-12	Serrated Saddle

Item	Part No.	Description
13	YK4B.V2-13	Ram Support Plate
14	FWM8.S	Flat Washer M8 Zinc
15	SS825.S	Hex Head Set Screw M8 X 25 Zinc
16	YK4B.V2-16	Plate, Arbor
17	YK4B.V2-17	Base Foot
18	SN12.S	Steel Nut M12 Zinc
19	SWM12.S	Spring Washer M12 Zinc
20	FWM12.S	Flat Washer M12 Zinc
21	SS1225.S	Hex Head Set Screw M12 X 25 Zinc
22	YK4B.V2-22	Table
23	YK4B.V2-23	Pump Complete

**NOTE:** It is our policy to continually improve products and as such we reserve the right to alter data, specifications and component parts without prior notice. There may be alternative versions of this product, please contact us should you require this information.

**IMPORTANT:** No liability is accepted for incorrect use of product. Spare parts must be fitted by a competent person

**WARRANTY:** Guarantee is 12 months from purchase date, proof of which will be required for any claim.