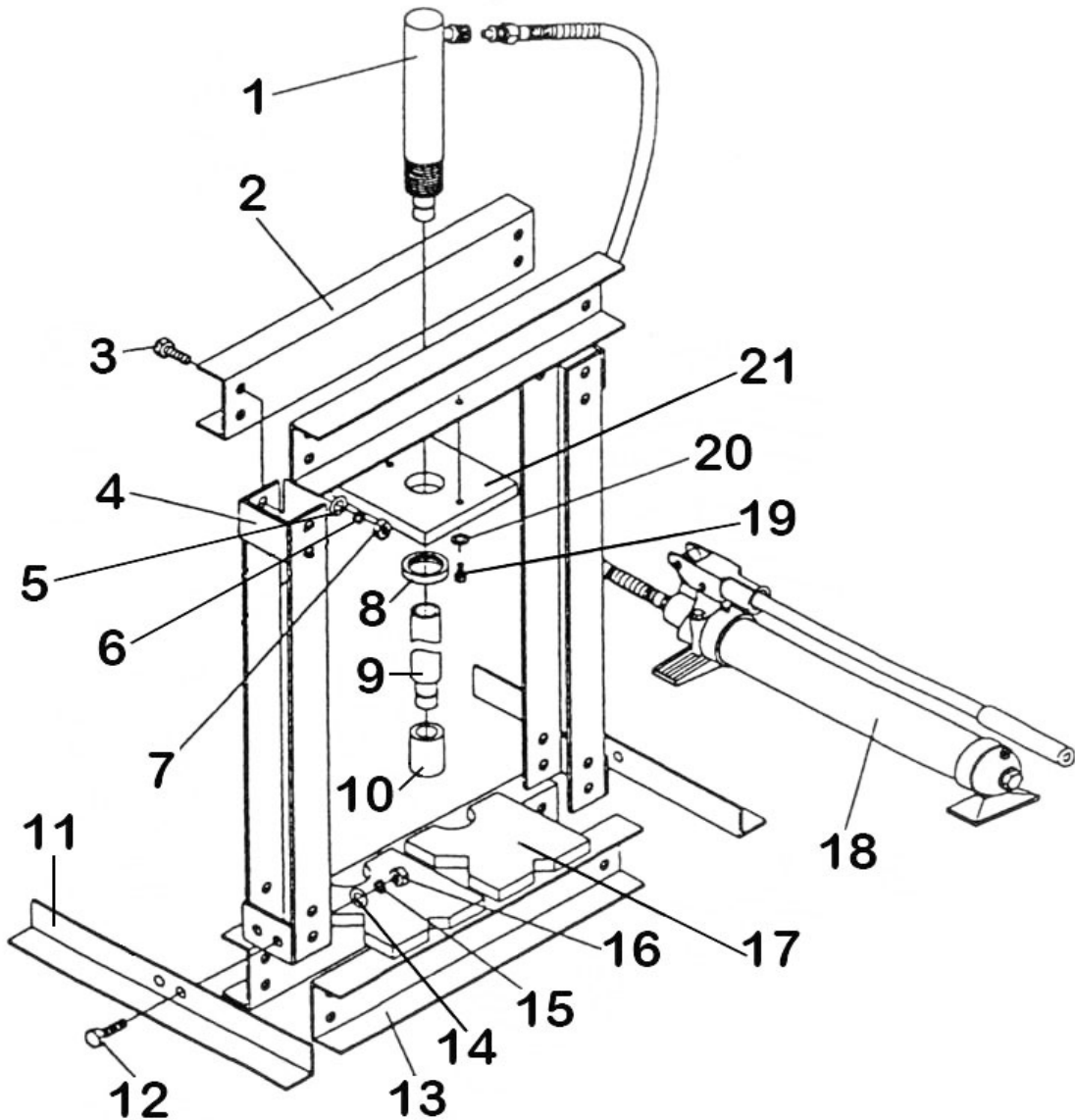


Parts Information:
**Hydraulic Press 4tonne Bench Type
 without Gauge
 Model No: YK4B**



Item	Part No.	Description
1	YK4B.01	Ram
2	YK4B.02	Crossbeam
3	YK4B.03	Bolt (M10x25)
4	YK4B.04	Upright (Left)
5	YK4B.05	Washer
6	YK4B.06	Lock Washer
7	SN10.S	Steel Nut, M10
8	YK4B.08	Ring Nut
9	YK4B.09	Stepped Adaptor
10	YK4B.10	Serrated Saddle
11	YK4B.11	Base Foot

Item	Part No.	Description
12	YK4B.12	Bolt (M12x25)
13	YK4B.13	Table
14	YK4B.14	Washer
15	YK4B.15	Lock Washer
16	SN12.S	Steel Nut, M12
17	YK10B.V3-12	Arbor Plate (170x100x20)
18	YK4B.18	Pump Complete
19	YK4B.19	Bolt (M8x25)
20	YK4B.20	Washer
21	YK4B.21	Ram Support Plate

NOTE: It is our policy to continually improve products and as such we reserve the right to alter data, specifications and component parts without prior notice. There may be alternative versions of this product, please contact us should you require this information.

IMPORTANT: No liability is accepted for incorrect use of product. Spare parts must be fitted by a competent person

WARRANTY: Guarantee is 12 months from purchase date, proof of which will be required for any claim.