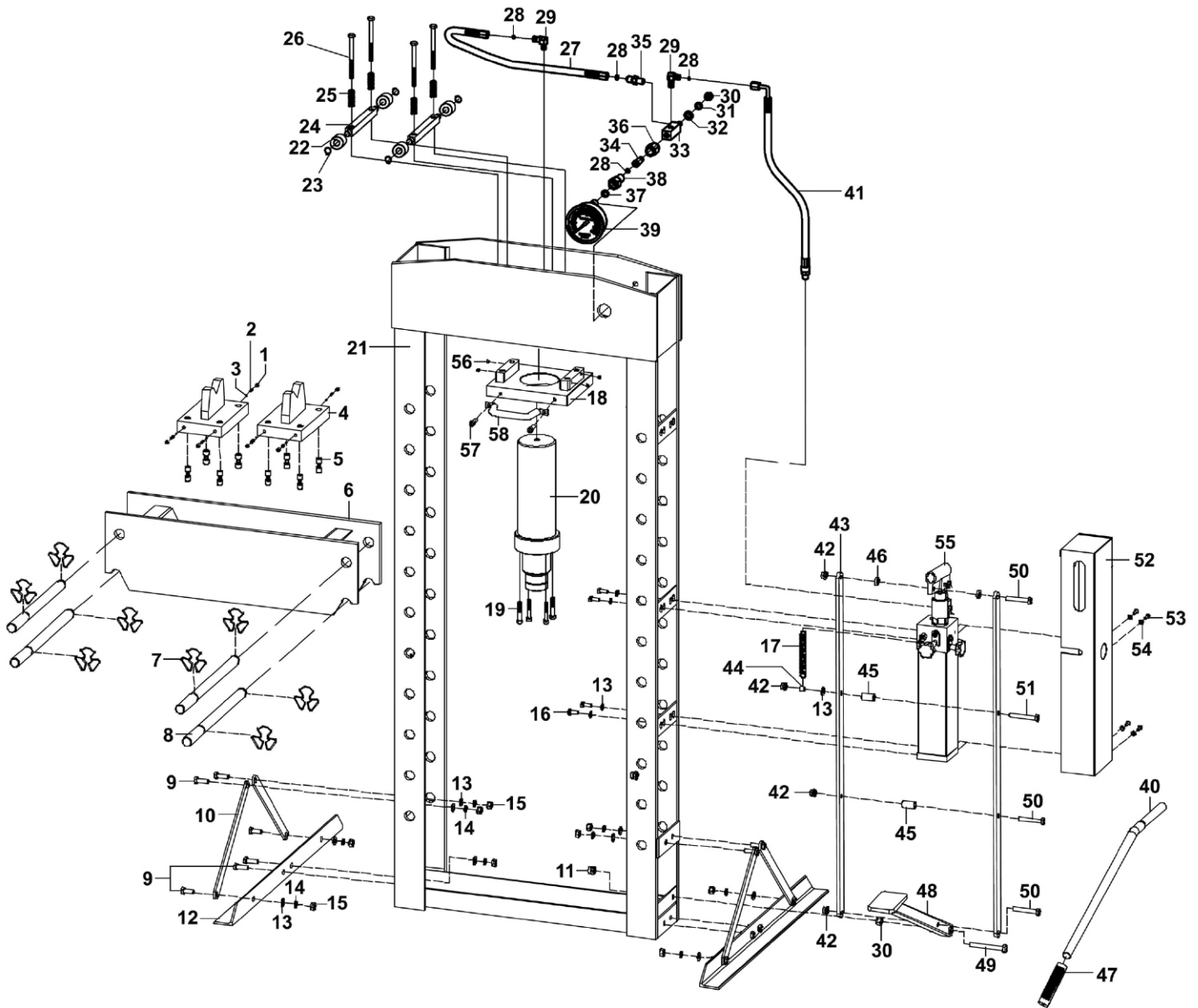


Parts Information:  
**Hydraulic Press 30 Tonne Floor Type with  
 Foot Pedal**  
**Model No: YK30FFP.V2**



Item	Part No.	Description	Qty
1	GSM810.S	Grub Screw M8x10 (Single)	8
2	YK30FFPV2-02	Spring Dia 4.8mm	8
3	SB-5.6	Steel Ball 5.6mm	8
4	YK30FFPV2-04	V-Block	2
5	YK30FFPV2-05	Screw	8
6	YK30FFPV2-06	Bed Frame	1
7	YK30FFPV2-07	Retaining Clip	8
8	YK30FFPV2-08	Pin, Table Support 300x25mm	4
9	YK30FFPV2-09	Screw	12
10	YK30FFPV2-10	Support	4
11	YK30FFPV2-11	Nut	1

Item	Part No.	Description	Qty
12	YK30FFPV2-12	Base Section	2
13	YK30FFPV2-13	Washer	17
14	YK30FFPV2-14	Lock Washer	12
15	YK30FFPV2-15	Nut	13
16	YK30FFPV2-16	Screw	4
17	YK30FFPV2-17	Spring For Pump	1
18	YK30FFPV2-18	Ram Plate	1
19	YK30FFPV2-19	Bolt For Ram	4
20	YK30FFPV2-20	Ram	1
21	YK30FFPV2-21	Frame	1
22	YK30FFPV2-22	Slide Block	4

**NOTE:** It is our policy to continually improve products and as such we reserve the right to alter data, specifications and component parts without prior notice. There may be alternative versions of this product, please contact us should you require this information.

**IMPORTANT:** No liability is accepted for incorrect use of product. Spare parts must be fitted by a competent person

**WARRANTY:** Guarantee is 12 months from purchase date, proof of which will be required for any claim.



Parts Information:  
**Hydraulic Press 30 Tonne Floor Type with  
Foot Pedal**  
**Model No: YK30FFPV2**

Item	Part No.	Description	Qty
23	YK30FFPV2-23	R-Pin	4
24	YK30FFPV2-24	Connecting Plate	2
25	YK30FFPV2-25	Spring Dia 16.45mm	4
26	HHB10120.S	Hex Head Bolt M10 x 120mm	4
27	YK30FFPV2-27	Oil Hose (Ram)20Mm x 860mm	1
28	SA802.23	O-Ring, (Ex: 9.63 In: 6.07 Cs: 1.78)	4
29	YK30FFPV2-29	Elbow Fitting	2
30	YK30FFPV2-30	Nut	2
31	YK30FFPV2-31	Lock Washer	1
32	YK30FFPV2-32	Washer	1
33	YK30FFPV2-33	Union Seat	1
34	YK30FFPV2-34	Union Screw	1
35	YK30FFPV2-35	Joint	1
36	YK30FFPV2-36	Union Nut	1
37	YK30FFPV2-37	Nylon Ring	1
38	YK30FFPV2-38	Gauge Fitting	1
39	YK30FFPV2-39	Pressure Gauge	1
40	YK30FFPV2-40	Handle	1

Item	Part No.	Description	Qty
41	YK30FFPV2-41	Oil Hose (Pump)20mm x 820mm	1
42	YK30FFPV2-42	Nut	4
43	YK30FFPV2-43	Support	2
44	YK30FFPV2-44	Bushing	1
45	YK30FFPV2-45	Bushing	2
46	YK30FFPV2-46	Bushing	2
47	YK30FFPV2-47	Handle Grip	1
48	YK30FFPV2-48	Foot Pedal	1
49	YK30FFPV2-49	Screw	1
50	YK30FFPV2-50	Screw	3
51	YK30FFPV2-51	Screw	1
52	YK30FFPV2-52	Protective Housing For Pump	1
53	YK30FFPV2-53	Screw	4
54	YK30FFPV2-54	Washer	4
55	YK30FFPV2-55	Pump	1
56	YK30FFPV2-56	Screw	4
57	YK30FFPV2-57	Screw For Handle	2
58	YK30FFPV2-58	Carry Handle For Ram Plate	1

**NOTE:** It is our policy to continually improve products and as such we reserve the right to alter data, specifications and component parts without prior notice. There may be alternative versions of this product, please contact us should you require this information.

**IMPORTANT:** No liability is accepted for incorrect use of product. Spare parts must be fitted by a competent person

**WARRANTY:** Guarantee is 12 months from purchase date, proof of which will be required for any claim.

Sealey Group, Kempson Way, Suffolk Business Park, Bury St Edmunds, Suffolk. IP32 7AR



01284 757500



sales@sealey.co.uk



www.sealey.co.uk