

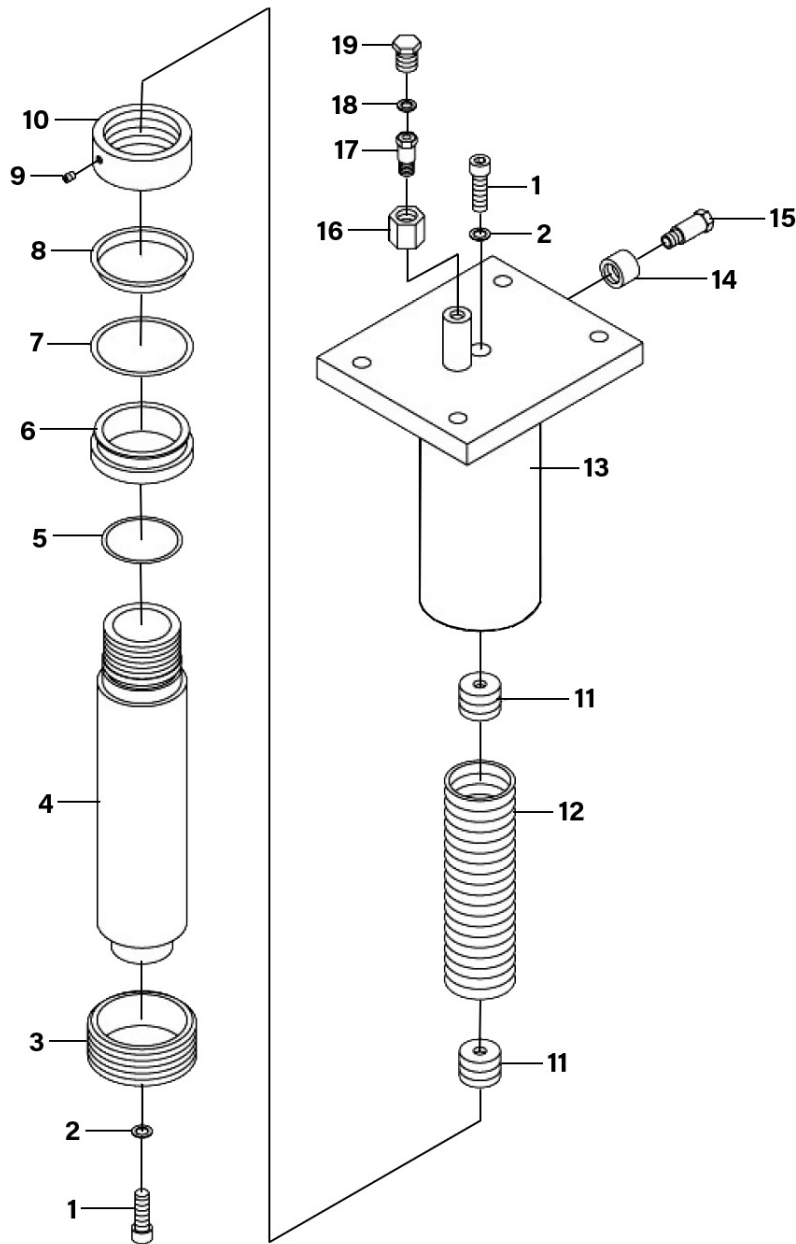
Item	Part No.	Description
1	YK30F.01	Base Leg
2	YK30F.02	Support
3	YK30F.03	Bolt M10x25
4	FWM10.S	Flat Washer M10 Zinc
5	SWM10.S	Spring Washer M10 Zinc
6	SN10.S	Steel Nut M10 Zinc
7	SS1030.S	Hex Head Set Screw M10 X 30 Zinc
8	YK30F.08	Base Cross Member
9	YK30F.09	Post
10	YK30F.10	Frame Pin
11	YK30F.11	Press Bed
12	YK20F.V3-17	V-Block (190x100x30)
13	YK30F.13	Saddle, Serrated (M) Ø 48mm (Shaft Ø 22mm)
14	YK30F.14	Screw M6x8

Item	Part No.	Description
15	YK30F.15	Ram Assy
16	YK30F.16	Bolt M20x50
17	FWM20.S	Washer 20mm
18	SWM20.S	Spring Washer M20 Zinc
19	SN20.S	Steel Nut M20 Zinc
20	YK30F.20	Cross Beam, Upper
21	SS1055.S	Hex Head Set Screw M10 X 55 Zinc
22	YK759FAH.61	Nylon Ring
23	YK30F.23	Gauge 1000kgf/cm2 110mm
24	YK30F.24	Hydraulic Hose Assy
25	YK30F.25	Bolt M10x20
26	YK30F.26	Pump Assy
27	YK30F.27	Handle

NOTE: It is our policy to continually improve products and as such we reserve the right to alter data, specifications and component parts without prior notice. There may be alternative versions of this product, please contact us should you require this information.

IMPORTANT: No liability is accepted for incorrect use of product. Spare parts must be fitted by a competent person

WARRANTY: Guarantee is 12 months from purchase date, proof of which will be required for any claim.



Item	Part No.	Description
1	YK30F.R01	Skt. Hd Bolt M10x70
2	YK30F.R02	Copper Washer
3	YK30F.R03	Ram Ring
4	YK30F.R04	Piston Rod
5	YK30F.R05	O-Ring, (Ex: 63.80 In: 56.74 Cs: 3.53)
6	YK30F.R06	Bushing
7	YK30F.R07	Nylon Ring
8	YK30F.R08	Sealing Ring
9	YK30F.R09	Grub Screw
10	YK30F.R10	Nut

Item	Part No.	Description
11	YK30F.R11	Threaded Bush
12	YK30F.R12	Spring
13	YK30F.R13	Cylinder
14	YK30F.R14	Coupler Nut
15	YK30F.R15	Coupler
16	YK30F.R16	Coupler Nut
17	YK30F.R17	Gauge coupler
18	YK30F.R18	Nylon ring
19	YK30F.R19	Screw

NOTE: It is our policy to continually improve products and as such we reserve the right to alter data, specifications and component parts without prior notice. There may be alternative versions of this product, please contact us should you require this information.

IMPORTANT: No liability is accepted for incorrect use of product. Spare parts must be fitted by a competent person

WARRANTY: Guarantee is 12 months from purchase date, proof of which will be required for any claim.