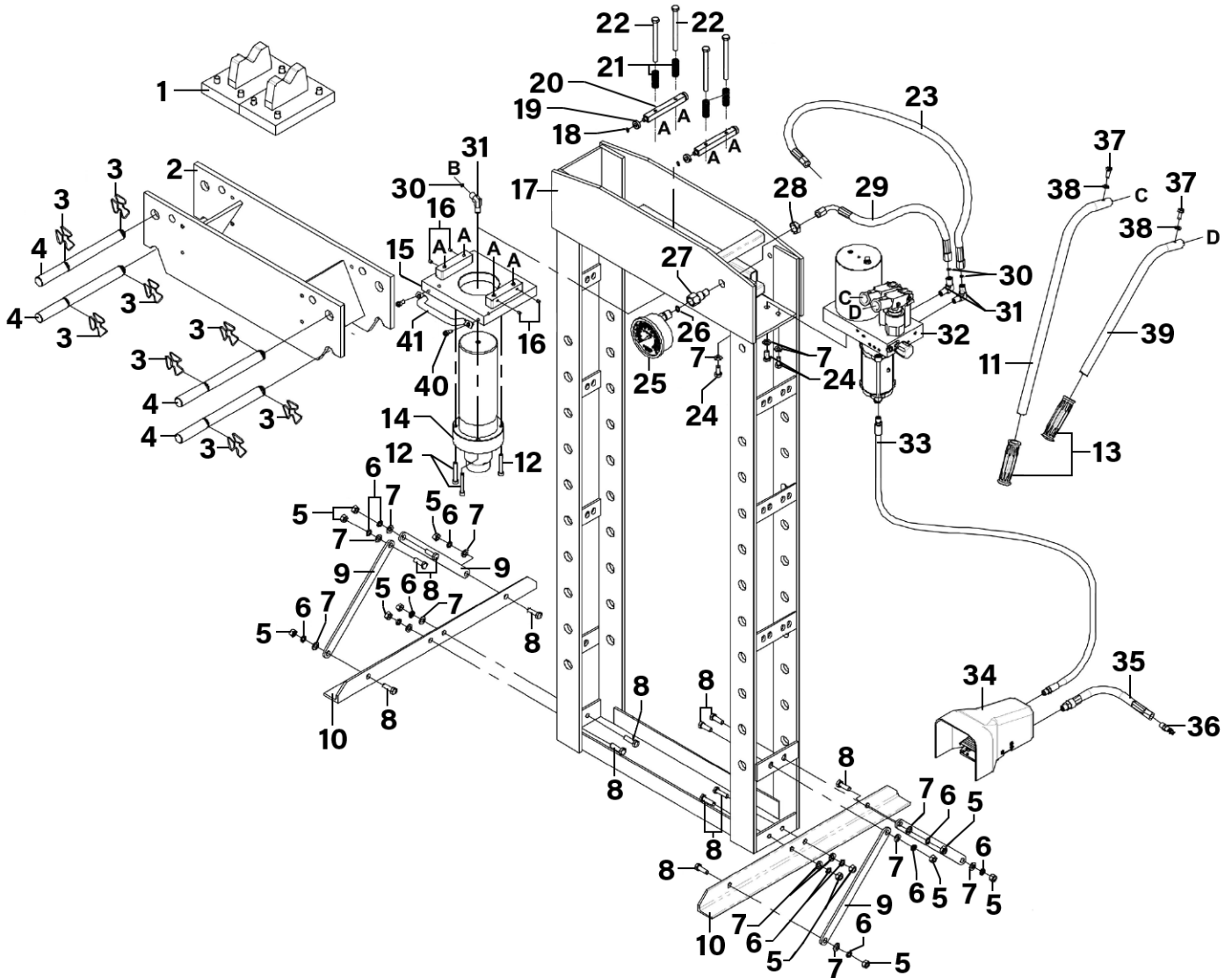


Parts Information:
**Air/Hydraulic Press 30 Tonne Floor Type
 with Foot Pedal**
Model No: YK309FAH.V2



Item	Part No.	Description	Qty
1	YK309FAH.V2-01	V-Block	2
2	YK309FAH.V2-02	Bed Frame	1
3	YK309FAH.V2-03	Circlip	8
4	YK309FAH.V2-04	Bed Frame Pin	4
5	SN10.S	Steel Nut M10 Zinc	12
6	FWM10.S	Flat Washer M10 Zinc	12
7	SWM10.S	Spring Washer M10 Zinc	15
8	SS1025.S	Hex Head Set Screw M10 X 25 Zinc	12
9	YK309FAH.V2-09	Support	4
10	YK309FAH.V2-10	Base Section	2
11	YK309FAH.V2-11	Handle	1
12	YK309FAH.V2-12	Bolt for Ram Ass'y	4
13	YK309FAH.V2-13	Handle Grip	2

Item	Part No.	Description	Qty
14	YK309FAH.V2-14	Ram Ass'y	1
15	YK309FAH.V2-15	Upper Plate	1
16	GSM68.S	Grub Screw M6x8 (Single)	4
17	YK309FAH.V2-17	Frame	1
18	YK309FAH.V2-18	R-Pin	4
19	YK309FAH.V2-19	Roller	4
20	YK309FAH.V2-20	Link Rod	2
21	YK309FAH.V2-21	Spring Dia 16.8mm	4
22	HHB10120.S	Hex Head Bolt M10 x 120mm	4
23	YK309FAH.V2-23	Oil Hose (2)	1
24	SS1020.S	Hex Head Set Screw M10 X 20 Zinc	3
25	YK309FAH.V2-25	Gauge1000Kgf/Cm2 50T 110mm Od	1
26	YK309FAH.V2-26	Nylon Ring	1

NOTE: It is our policy to continually improve products and as such we reserve the right to alter data, specifications and component parts without prior notice. There may be alternative versions of this product, please contact us should you require this information.

IMPORTANT: No liability is accepted for incorrect use of product. Spare parts must be fitted by a competent person

WARRANTY: Guarantee is 12 months from purchase date, proof of which will be required for any claim.



Parts Information:
**Air/Hydraulic Press 30 Tonne Floor Type
with Foot Pedal**
Model No: YK309FAH.V2

Item	Part No.	Description	Qty
27	YK309FAH.V2-27	Gauge Fitting	1
28	YK309FAH.V2-28	M20 X 1.5 Fine Pitch Half Nut	1
29	YK309FAH.V2-29	Oil Hose (1)	1
30	YK309FAH.V2-30	O-Ring For Elbow	3
31	YK309FAH.V2-31	Elbow For Ram/Pump Ass'y	3
32	YK309FAH.V2-32	Pump Ass'y	1
33	YK309FAH.V2-33	Air Hose	1
34	YK309FAH.V2-34	Foot Pedal	1

Item	Part No.	Description	Qty
35	YK309FAH.V2-35	Air Hose 16mm x 200mm	1
36	YK309FAH.V2-36	Quick Coupler (Male)	1
37	SS820.S	Hex Head Set Screw M8 X 20 Zinc	2
38	FWM8.S	Flat Washer M8 Zinc	2
39	YK309FAH.V2-39	Handle	1
40	YK309FAH.V2-40	Screw for Carry Handle	1
41	YK309FAH.V2-41	Carry Handle	2

NOTE: It is our policy to continually improve products and as such we reserve the right to alter data, specifications and component parts without prior notice. There may be alternative versions of this product, please contact us should you require this information.

IMPORTANT: No liability is accepted for incorrect use of product. Spare parts must be fitted by a competent person

WARRANTY: Guarantee is 12 months from purchase date, proof of which will be required for any claim.

Sealey Group, Kempson Way, Suffolk Business Park, Bury St Edmunds, Suffolk. IP32 7AR



01284 757500



sales@sealey.co.uk



www.sealey.co.uk