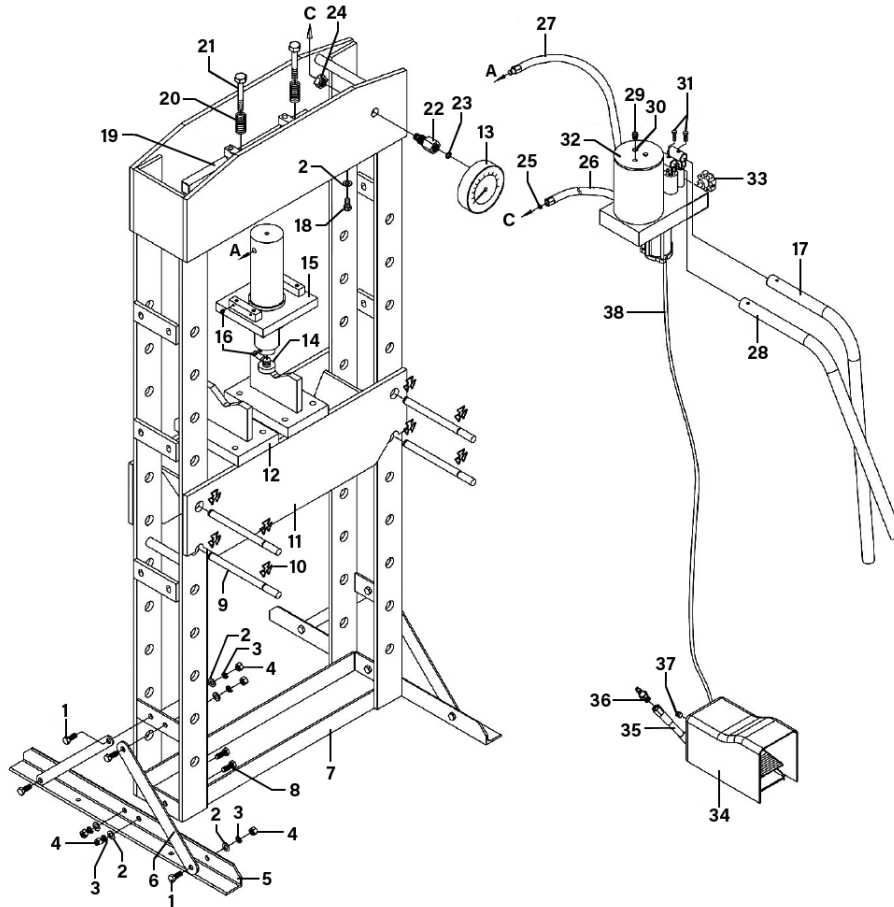


Parts Information: Air/Hydraulic Press 30tonne Floor Type with Foot Pedal Model No: YK309FAH



Item	Part No.	Description
1	SS1025.S	Hex Head Set Screw M10 X 25 Zinc
2	FWM10.S	Flat Washer M10 Zinc
3	SWM10.S	Spring Washer M10 Zinc
4	SN10.S	Steel Nut M10 Zinc
5	YK309FAH.05	Base Section
6	YK309FAH.06	Support
7	YK30F.V2-07	Base
8	SS1030.S	Hex Head Set Screw M10 X 30 Zinc
9	YK30F.V2-09	Pin, Table Support 300x25mm
10	YK309FAH.10	Circlip
11	YK309FAH.11	Bed Frame
12	YK30F.V2-12	V-Block
13	YK509F.41	Pressure Gauge 1000kgf/cm2
14	YK509FAH.41	Saddle, Serrated (M) Ø 53mm (Shaft Ø 25mm)
15	YK309FAH.15	Ram Ass'y
16	GSM68.S	Grub Screw M6x8 (Single)
17	YK759FAH.54	Handle
18	SS1020.S	Hex Head Set Screw M10 X 20 Zinc
19	YK309FAH.19	Link Rod

Item	Part No.	Description
20	YK309FAH.20	Spring Dia 16.8mm
21	HHB10120.S	Hex Head Bolt M10 x 120mm
22	YK309FAH.22	Gauge Fitting
23	YK759FAH.61	Nylon Ring
24	YK309FAH.24	M20 x 1.5 Fine Pitch Half Nut
25	AK458DX.V4-20	O-Ring, (Ex: 8.84 In: 5.28 Cs: 1.78)
26	YK309FAH.26	Oil Hose (1)
27	YK309FAH.27	Oil Hose (2)
28	YK759FAH.53	Handle (1)
29	YK509FAH.73	Oil Filler Nut
30	YK759FAH.61	Nylon Ring
31	SS820.S	Hex Head Set Screw M8 X 20 Zinc
32	YK309FAH.32	Pump Ass'y
33	YK509FAH.50	Release Valve
34	YK309FAH.34	Foot Pedal
35	YK309FAH.35	Air Hose 16mm x 200mm
36	YK309FAH.36	Quick Coupler (Male)
37	YK309FAH.37	Screw
38	YK309FAH.38	Air Hose

NOTE: It is our policy to continually improve products and as such we reserve the right to alter data, specifications and component parts without prior notice. There may be alternative versions of this product, please contact us should you require this information.

IMPORTANT: No liability is accepted for incorrect use of product. Spare parts must be fitted by a competent person

WARRANTY: Guarantee is 12 months from purchase date, proof of which will be required for any claim.