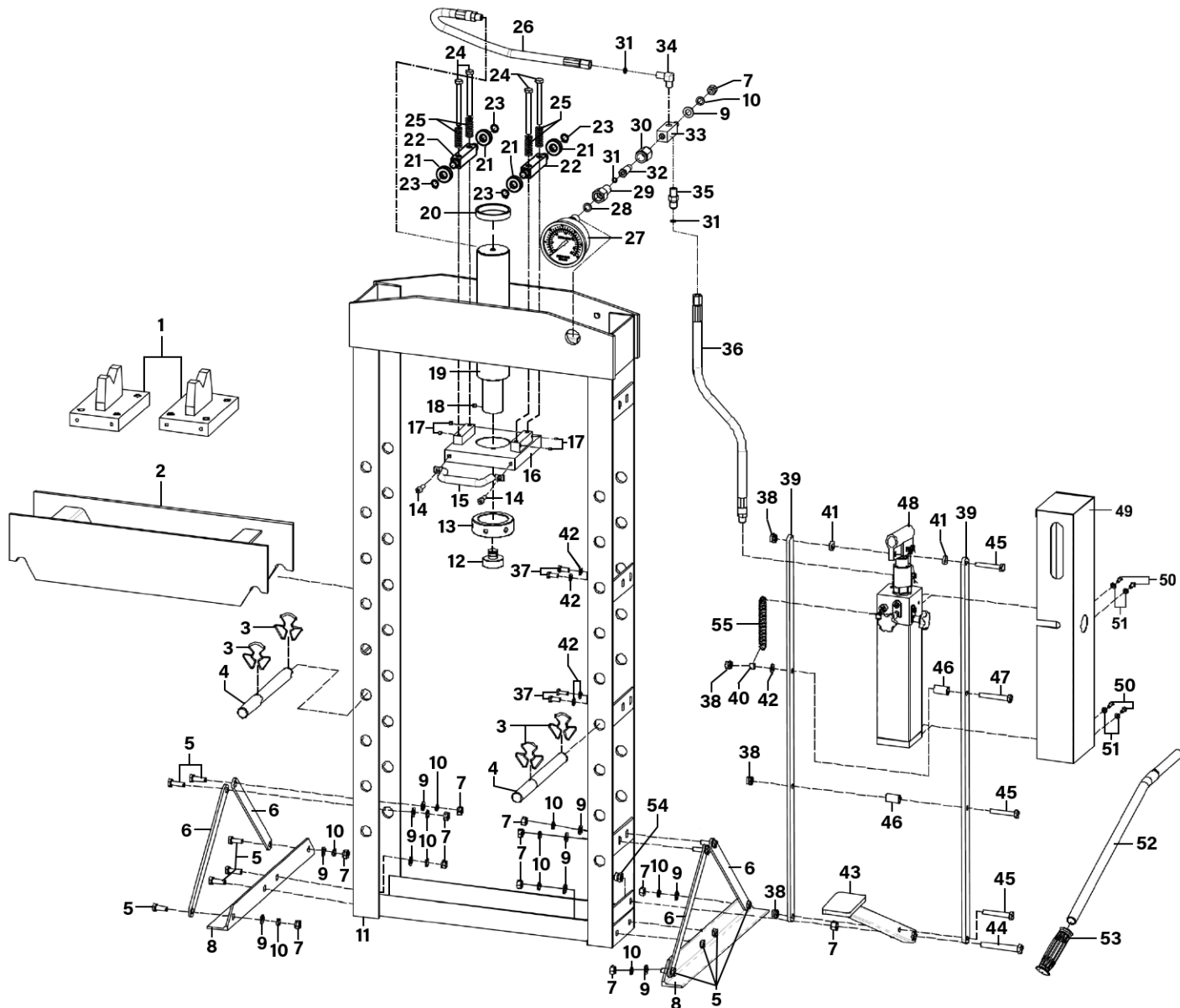


Parts Information:  
**Hydraulic Press 20 Tonne Floor Type with Foot Pedal**  
**Model No: YK20FFP.V2**



Item	Part No.	Description	Qty
1	YK20FFPV2-01	V-Block	2
2	YK20FFPV2-02	Bed Frame	1
3	YK20FFPV2-03	Retaining Clip	4
4	YK20FFPV2-04	Pin, Table Support 300x25mm	2
5	YK20FFPV2-05	Bolt	12
6	YK20FFPV2-06	Support	4
7	YK20FFPV2-07	Nut	14
8	YK20FFPV2-08	Base Section	2
9	YK20FFPV2-09	Washer	13
10	YK20FFPV2-10	Lock Washer	13

Item	Part No.	Description	Qty
11	YK20FFPV2-11	Frame	1
12	YK20FFPV2-12	Serrated Saddle	1
13	YK20FFPV2-13	Ram Nut	1
14	YK20FFPV2-14	Screw	2
15	YK20FFPV2-15	Handle For Ram Plate	1
16	YK20FFPV2-16	Ram Plate	1
17	YK20FFPV2-17	Screw	4
18	YK20FFPV2-18	Screw	1
19	YK20FFPV2-19	Ram	1
20	YK20FFPV2-20	Upper Nut	1

**NOTE:** It is our policy to continually improve products and as such we reserve the right to alter data, specifications and component parts without prior notice. There may be alternative versions of this product, please contact us should you require this information.

**IMPORTANT:** No liability is accepted for incorrect use of product. Spare parts must be fitted by a competent person

**WARRANTY:** Guarantee is 12 months from purchase date, proof of which will be required for any claim.



Parts Information:  
**Hydraulic Press 20 Tonne Floor Type with  
Foot Pedal**  
**Model No: YK20FFPV2**

Item	Part No.	Description	Qty
21	YK20FFPV2-21	Roller	2
22	YK20FFPV2-22	Connecting Plate	4
23	YK20FFPV2-23	Retaining Ring	4
24	YK20FFPV2-24	Hex Head Bolt M10 x 100mm	4
25	YK20FFPV2-25	Spring Dia 16.45mm	4
26	YK20FFPV2-26	Oil Hose (Ram) 20mm x 760mm	1
27	YK20FFPV2-27	Pressure Gauge	1
28	YK20FFPV2-28	Nylon Ring	1
29	YK20FFPV2-29	Gauge Fitting	1
30	YK20FFPV2-30	Union Nut	1
31	YK20FFPV2-31	O-Ring, (Ex: 9.63 In: 6.07 Cs: 1.78)	3
32	YK20FFPV2-32	Union Screw	1
33	YK20FFPV2-33	Union Seat	1
34	YK20FFPV2-34	Elbow Fitting	1
35	YK20FFPV2-35	Joint	1
36	YK20FFPV2-36	Oil Hose (Pump) 20mm x 600mm	1
37	YK20FFPV2-37	Bolt	4
38	YK20FFPV2-38	Nut	4

Item	Part No.	Description	Qty
39	YK20FFPV2-39	Support	2
40	YK20FFPV2-40	Bushing	1
41	YK20FFPV2-41	Bushing	2
42	YK20FFPV2-42	Washer	5
43	YK20FFPV2-43	Foot Pedal	1
44	YK20FFPV2-44	Bolt	1
45	YK20FFPV2-45	Bolt	3
46	YK20FFPV2-46	Bushing	2
47	YK20FFPV2-47	Bolt	1
48	YK20FFPV2-48	Pump	1
49	YK20FFPV2-49	Protective Housing For Pump	1
50	YK20FFPV2-50	Screw	4
51	YK20FFPV2-51	Washer	4
52	YK20FFPV2-52	Handle	1
53	YK20FFPV2-53	Handle Grip	1
54	YK20FFPV2-54	Nut	1
55	YK20FFPV2-55	Pump Spring	1

**NOTE:** It is our policy to continually improve products and as such we reserve the right to alter data, specifications and component parts without prior notice. There may be alternative versions of this product, please contact us should you require this information.

**IMPORTANT:** No liability is accepted for incorrect use of product. Spare parts must be fitted by a competent person

**WARRANTY:** Guarantee is 12 months from purchase date, proof of which will be required for any claim.

Sealey Group, Kempson Way, Suffolk Business Park, Bury St Edmunds, Suffolk. IP32 7AR



01284 757500



sales@sealey.co.uk



www.sealey.co.uk