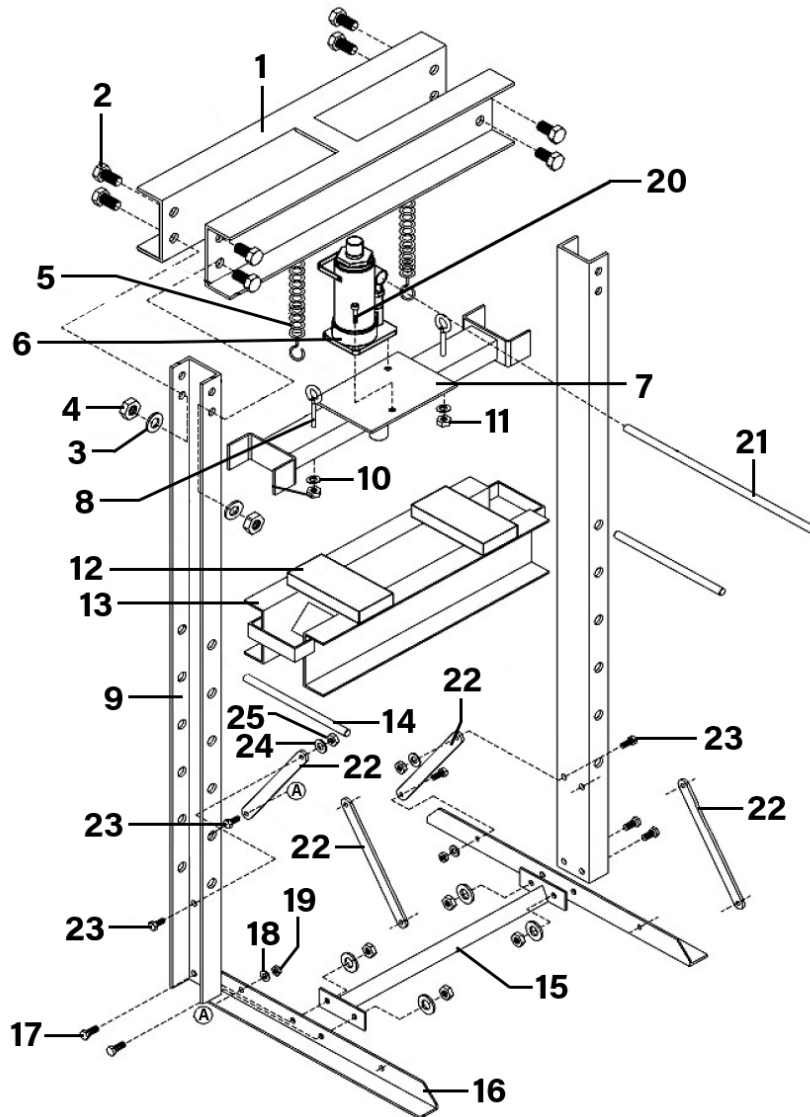


Parts Information:  
**Hydraulic Press 20 Tonne Economy Floor  
 Type**  
**Model No: YK20ECF.V2**



Item	Part No.	Description
1	YK20ECF.01	Upper Support
2	SS1635.S	Hex Head Set Screw M16 X 35 Zinc
3	FWM16.S	Flat Washer M16 Zinc
4	SN16.S	Steel Nut M16 Zinc
5	YK20ECF.05	Spring Dia 35.3mm
6	YK20ECF.06	Hydraulic Unit
7	YK20ECF.07	Support Plate
8	YK20ECF.08	Hook Pin
9	YK20ECF.09	Upright
10	FWM8.S	Flat Washer M8 Zinc
11	SN8.S	Steel Nut M8 Zinc
12	YK20F.V3-17	V-Block (190x100x30)
13	YK20ECF.13	Table

Item	Part No.	Description
14	YK20ECF.14	Pin, Table Support 250x20mm
15	YK20ECF.15	Base Support
16	YK20F.V3-21	Base Section
17	SS1230.S	Hex Head Set Screw M12 X 30 Zinc
18	FWM12.S	Flat Washer M12 Zinc
19	SN12.S	Steel Nut M12 Zinc
20	SS812.S	Hex Head Set Screw M8 X 12 Zinc
21	YK20ECF.21	Handle
22	YK20FAH.60	Brace
23	SS1025.S	Hex Head Set Screw M10 X 25 Zinc
24	FWM10.S	Flat Washer M10 Zinc
25	SN10.S	Steel Nut M10 Zinc
--	YK20ECF.06-EX	Hydraulic Unit (Reconditioned) (Not Shown)

**NOTE:** It is our policy to continually improve products and as such we reserve the right to alter data, specifications and component parts without prior notice. There may be alternative versions of this product, please contact us should you require this information.

**IMPORTANT:** No liability is accepted for incorrect use of product. Spare parts must be fitted by a competent person

**WARRANTY:** Guarantee is 12 months from purchase date, proof of which will be required for any claim.