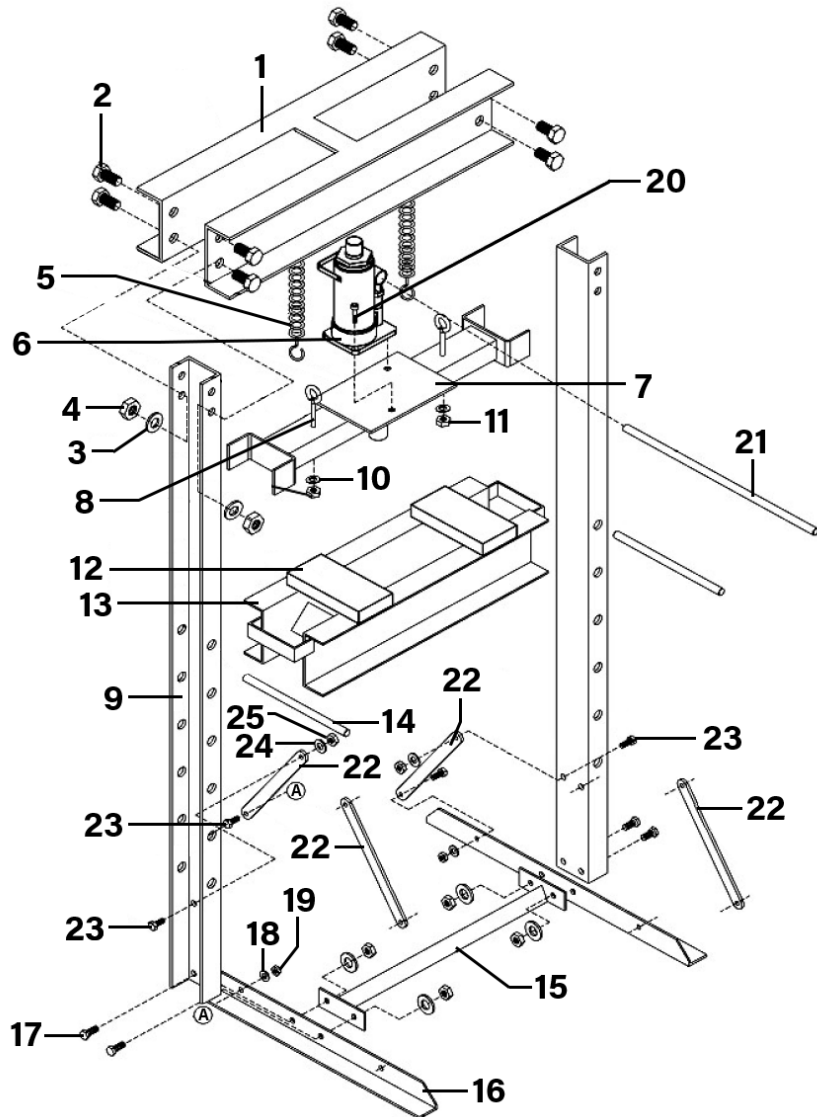


Parts Information:
**Hydraulic Press 20tonne Economy
 Floor Type
 Model No: YK20ECF**



| Item | Part No. | Description |
|------|-------------|----------------------------------|
| 1 | YK20ECF.01 | Upper Support |
| 2 | SS1635.S | Hex Head Set Screw M16 X 35 Zinc |
| 3 | FWM16.S | Flat Washer M16 Zinc |
| 4 | SN16.S | Steel Nut M16 Zinc |
| 5 | YK20ECF.05 | Spring Dia 35.3mm |
| 6 | YK20ECF.06 | Hydraulic Unit |
| 7 | YK20ECF.07 | Support Plate |
| 8 | YK20ECF.08 | Hook Pin |
| 9 | YK20ECF.09 | Upright |
| 10 | FWM8.S | Flat Washer M8 Zinc |
| 11 | SN8.S | Steel Nut M8 Zinc |
| 12 | YK20F.V3-17 | V-Block (190x100x30) |
| 13 | YK20ECF.13 | Table |

| Item | Part No. | Description |
|------|---------------|--|
| 14 | YK20ECF.14 | Pin, Table Support 250x20mm |
| 15 | YK20ECF.15 | Base Support |
| 16 | YK20F.21 | Base Section |
| 17 | SS1230.S | Hex Head Set Screw M12 X 30 Zinc |
| 18 | FWM12.S | Flat Washer M12 Zinc |
| 19 | SN12.S | Steel Nut M12 Zinc |
| 20 | SS812.S | Hex Head Set Screw M8 X 12 Zinc |
| 21 | YK20ECF.21 | Handle |
| 22 | YK20FAH.60 | Brace |
| 23 | SS1025.S | Hex Head Set Screw M10 X 25 Zinc |
| 24 | FWM10.S | Flat Washer M10 Zinc |
| 25 | SN10.S | Steel Nut M10 Zinc |
| -- | YK20ECF.06-EX | Hydraulic Unit (Reconditioned) (Not Shown) |

NOTE: It is our policy to continually improve products and as such we reserve the right to alter data, specifications and component parts without prior notice. There may be alternative versions of this product, please contact us should you require this information.

IMPORTANT: No liability is accepted for incorrect use of product. Spare parts must be fitted by a competent person

WARRANTY: Guarantee is 12 months from purchase date, proof of which will be required for any claim.