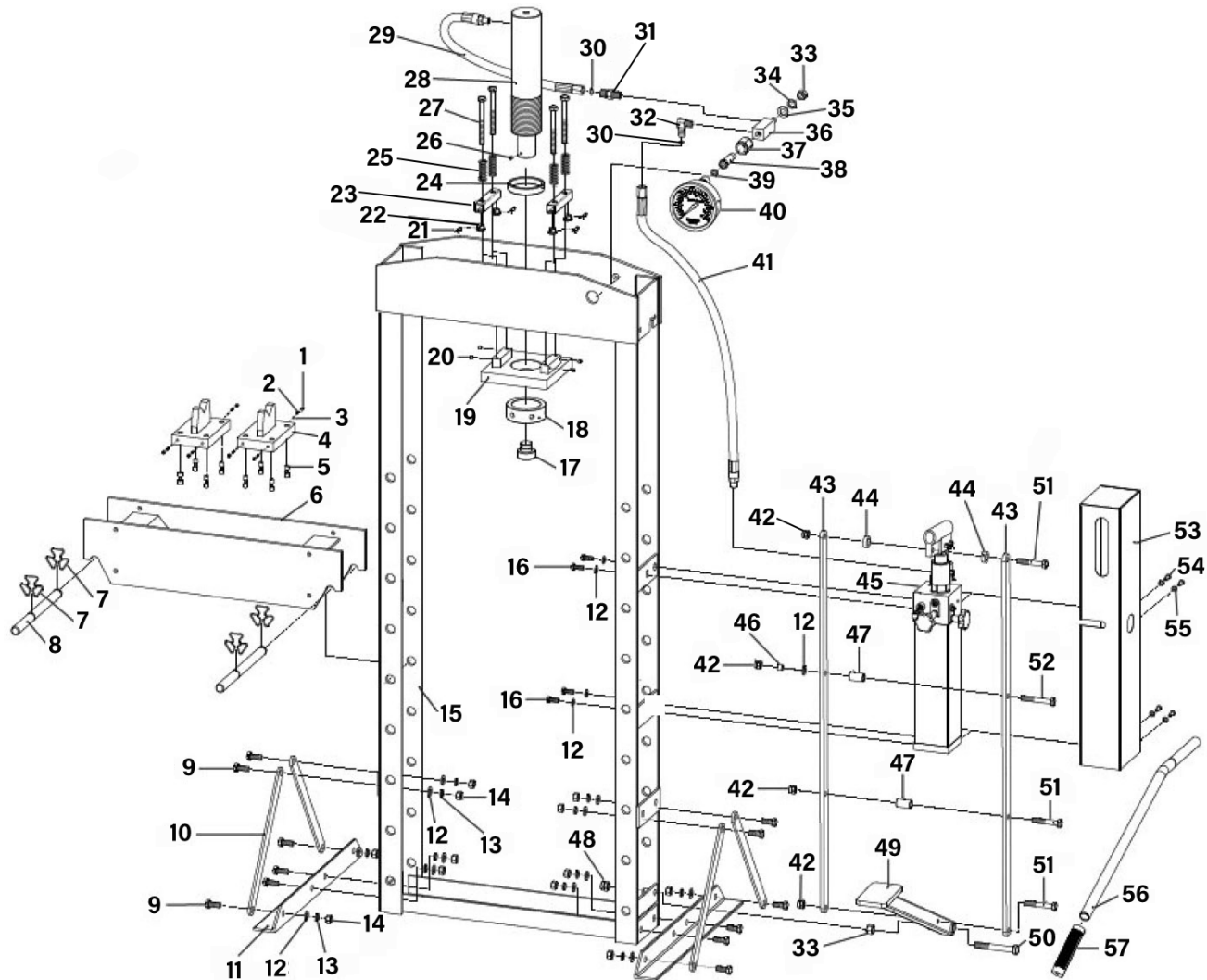




Parts Information:  
**Hydraulic Press 15 Tonne Floor Type with Foot Pedal**  
**Model No: YK15FFP**



**NOTE:** It is our policy to continually improve products and as such we reserve the right to alter data, specifications and component parts without prior notice.

There may be alternative versions of this product, please contact us should you require this information.

**IMPORTANT:** No liability is accepted for incorrect use of product. Spare parts must be fitted by a competent person

**WARRANTY:** Guarantee is 12 months from purchase date, proof of which will be required for any claim.

Sealey Group, Kempson Way, Suffolk Business Park, Bury St Edmunds, Suffolk. IP32 7AR



01284 757500



sales@sealey.co.uk



www.sealey.co.uk



Parts Information:  
**Hydraulic Press 15 Tonne Floor Type with  
Foot Pedal**  
**Model No: YK15FFP**

Item	Part No.	Description
1	GSM88.S	Grub Screw M8x8 (Single)
2	YK15FFP.02	Spring Dia 5mm
3	SB-5.6	Steel Ball 5.6mm
4	YK15FFP.04	V-Block
5	YK15FFP.05	Screw
6	YK15FFP.06	Bed Frame
7	YK15BP.07	Retaining Clip
8	YK15BP.08	Pin, Table Support 265x19mm
9	YK15FFP.09	Bolt
10	YK30FFP.10	Support
11	YK15FFP.11	Base Section
12	YK15FFP.12	Washer
13	YK15FFP.13	Lock Washer
14	YK15FFP.14	Nut
15	YK15FFP.15	Frame
16	YK15FFP.16	Bolt
17	YK15FFP.17	Serrated Saddle
18	YK15FFP.18	Ram Nut
19	YK15FFP.19	Under Plate
20	YK15FFP.20	Screw
21	YK30FFP.24	R-Pin
22	YK30FFP.23	Slide Block
23	YK15FFP.23	Connecting Plate
24	YK15FFP.24	Upper Round Nut
25	YK15FFP.25	Spring Dia 16.2mm
26	GSM68.S	Grub Screw M6 x 8
27	HHB10100.S	Hex Head Bolt M10 x 100mm
28	YK15FFP.28	Ram
29	YK15FFP.29	Oil Hose (For Ram)20mm x 600mm

Item	Part No.	Description
30	SA802.23	O-Ring, (Ex: 9.63 In: 6.07 Cs: 1.78)
31	YK50FFP.62	Joint
32	YK50FFP.45	Elbow Fitting
33	YK15FFP.33	Nut
34	YK15FFP.34	Lock Washer
35	YK15FFP.35	Washer
36	YK15FFP.36	Union Seat
37	YK50FFP.56	Union Nut
38	YK50FFP.57	Union Screw
39	YK759FAH.61	Nylon Ring
40	YK15FFP.40	Pressure Gauge
41	YK15FFP.41	Oil Hose (For Pump 14.8mm x 690mm)
42	YK15FFP.42	Nut
43	YK50FFP.68	Support
44	YK50FFP.80	Bushing
45	YK15FFP.45	Pump
46	YK50FFP.69	Bushing
47	YK50FFP.70	Bushing
48	YK15FFP.48	Nut
49	YK50FFP.75	Foot Pedal
50	HHB1290.S	Hex Head Bolt M12 x 90mm
51	YK15FFP.51	Bolt
52	YK15FFP.52	Bolt
53	YK20FFP.54	Protective Housing For Pump
54	YK15FFP.54	Screw
55	YK15FFP.55	Washer
56	YK50FFP.85	Handle
57	YK50FFP.86	Handle Grip
--	YK50FFP.79	Spring Dia 22.6mm (Not Shown)

**NOTE:** It is our policy to continually improve products and as such we reserve the right to alter data, specifications and component parts without prior notice. There may be alternative versions of this product, please contact us should you require this information.

**IMPORTANT:** No liability is accepted for incorrect use of product. Spare parts must be fitted by a competent person

**WARRANTY:** Guarantee is 12 months from purchase date, proof of which will be required for any claim.

Sealey Group, Kempson Way, Suffolk Business Park, Bury St Edmunds, Suffolk. IP32 7AR



01284 757500



sales@sealey.co.uk



www.sealey.co.uk