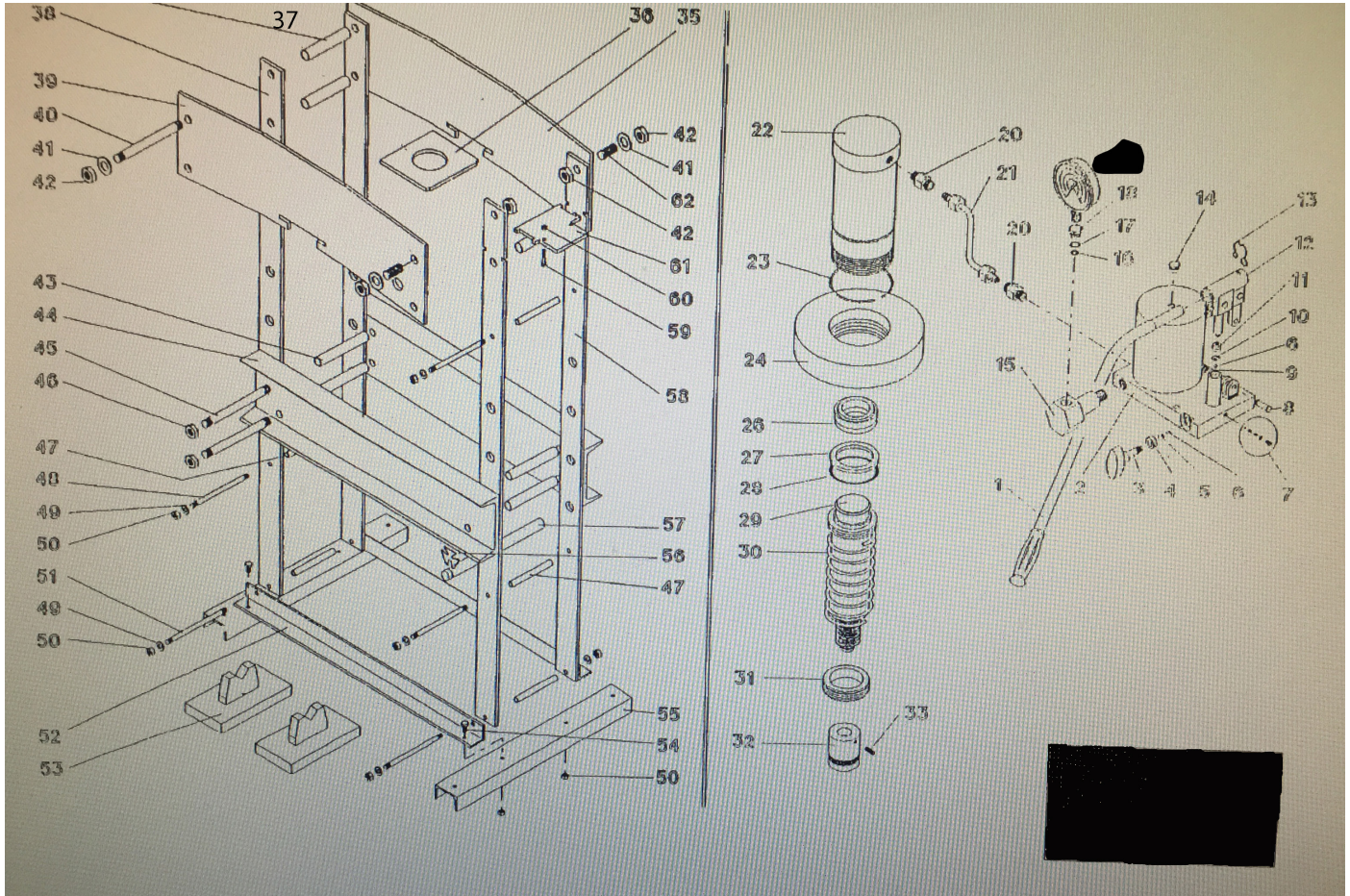




Parts Information:
Hydraulic Press Premier Plus 15tonne
Bench Type
Model No: YK15BM



NOTE: It is our policy to continually improve products and as such we reserve the right to alter data, specifications and component parts without prior notice.

IMPORTANT: No liability is accepted for incorrect use of product.

WARRANTY: Guarantee is 12 months from purchase date, proof of which will be required for any claim.

Sealey Group, Kempson Way, Suffolk Business Park, Bury St Edmunds, Suffolk. IP32 7AR



01284 757500



01284 703534



sales@sealey.co.uk



www.sealey.co.uk



Parts Information:
**Hydraulic Press Premier Plus 15tonne
 Bench Type
 Model No: YK15BM**

Item	Part No.	Description
1	YK50FM/35	HANDLE,PUMPING
2	BK-05	HYDRAULIC UNIT(HAND PUMP)
3	YK50FM/03	RELEASE VALVE KNOB
4	MG-2/1130	O-RING
5	SB-8.0	STEEL BALL 8.0mm
6	SB-5.6	STEEL BALL 5.6mm
7	MG-2/C9	SAFETY VALVE
8	MG-2/1344	AXLE
9	MB-22-A/1286	CIRCLIP
10	MG-2/1161	CIRCLIP
11	MG-2/1133	SEAL
12	BK05-C7M	HANDLE SOCKET ASS'Y
13	BK-1/1282	CLIP
14	ME-12001/1139	FILLER PLUG
15	A-5578	CONNECTOR
16	MB-22-A/1130	O-RING
17	YK15BM/17	O-RING
18	Y-2/1160	SCREW
20	YK50FM/20	CONNECTOR
21	YK15BM/21	PIPE
22	CMK-15	RAM ASS'Y
23	YK15FM/23	RING
24	CM-15-1508	CHECK NUT
26	YK15BM/26	SEAL
27	YK15BM/27	SEAL
28	YK15BM/28	SEAL
29	YK15BM/29	RAM
30	YK15FM/30	SPRING
31	CMK-15	RAM ASS'Y
32	YK15/1108	PISTON HEAD
33	GSM610.S	GRUB SCREW M6x10 (SINGLE)
35	YK15FM/35	CROSS PLATE

Item	Part No.	Description
36	YK15FM/36	PLATE
37	YK15FM/37	SPACER
38	YK15BM/38	UPRIGHT
39	YK15BM/39	FRAME
40	YK15FM/40	STUD
41	FWM18.S	FLAT WASHER M18 SINGLE
42	TJM-2/1397	NUT
43	YK15FM/43	SPACER
44	YK15/1334	TABLE COMPLETE
45	YK30FM/51	AXLE
46	SN12.S	STEEL NUT M12 ZINC DIN934(SINGLE)
47	YK30FM/47	BUSHING
48	YK15FM/48	STUD
49	FWM12.S	FLAT WASHER M12 SINGLE
50	SN12.S	STEEL NUT M12 ZINC DIN934(SINGLE)
51	YK30FM/51	AXLE
52	YK15BM/52	CROSS SECTION
53	KMG-15A/C15	V BLOCK
54	KP-30/1948-A	BOLT
55	YK15BM/55	FOOT
56	KMG-15A/C92	AXLE
57	YK15BLG/49	TABLE SUPPORT PIN
58	YK15BM/58	UPRIGHT
59	EF-1.5/1315	BOLT M8X40
60	YK15BM/60	NUT
61	YK15FM/61	PLATE
62	YK15BM/62	STUD
--	YK15/30/G	GAUGE 700kg/cm2, 100mm OD, Btm Fitt (NOT SHOWN)
--	YK15FM/RK	REPAIR KIT (NOT SHOWN)
--	BK-05	HYDRAULIC UNIT(HAND PUMP) (NOT SHOWN)

NOTE: It is our policy to continually improve products and as such we reserve the right to alter data, specifications and component parts without prior notice.

IMPORTANT: No liability is accepted for incorrect use of product.

WARRANTY: Guarantee is 12 months from purchase date, proof of which will be required for any claim.

Sealey Group, Kempson Way, Suffolk Business Park, Bury St Edmunds, Suffolk. IP32 7AR



01284 757500



01284 703534



sales@sealey.co.uk



www.sealey.co.uk