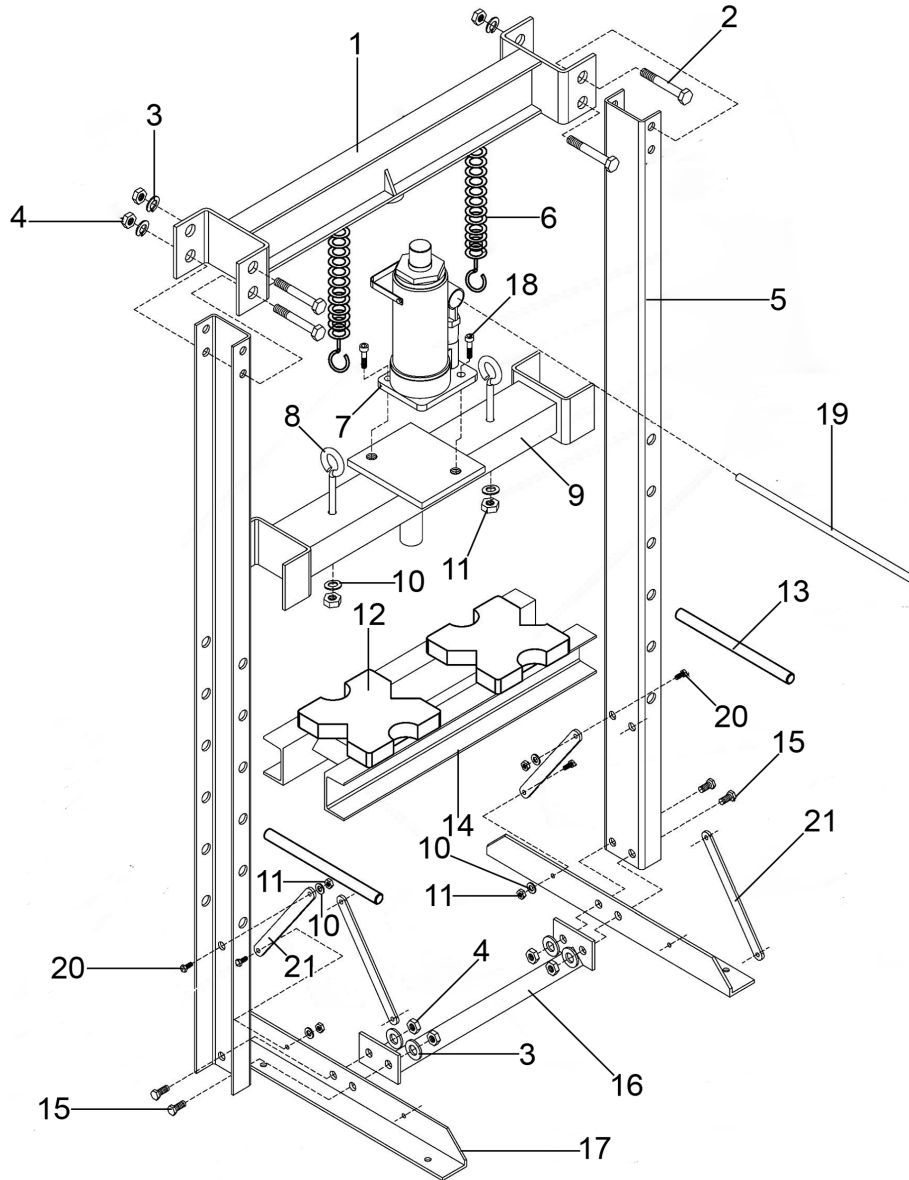


Parts Information:
Hydraulic Press 10tonne Economy Floor Type
Model No: YK10ECF



| Item | Part No. | Description | Qty |
|------|------------|---------------------------|-----|
| 1 | YK10ECF.01 | Upper Support | 1 |
| 2 | HHB12120.S | Hex Head Bolt M12 x 120mm | 4 |
| 3 | FWM12.S | Flat Washer M12 | 8 |
| 4 | SN12.S | Steel Nut M12 | 8 |
| 5 | YK10ECF.05 | Upright | 2 |
| 6 | YK10ECF.06 | Spring Ø 29.4mm | 2 |
| 7 | YK10ECF.07 | Hydraulic Unit | 1 |
| 8 | YK10ECF.08 | Hook Pin | 2 |
| 9 | YK10ECF.09 | Support Plate | 1 |
| 10 | FWM8.S | Flat Washer M8 | 6 |
| 11 | SN8.S | Steel Nut M8 | 6 |

| Item | Part No. | Description | Qty |
|------|------------|-------------------------------|-----|
| 12 | YK10ECF.12 | Arbor Plate 150 x 150 x 25 | 2 |
| 13 | YK10ECF.13 | Pin, Table Support 230 x 16mm | 2 |
| 14 | YK10ECF.14 | Table | 1 |
| 15 | SS1230.S | Hex Head Set Screw M12 x 30mm | 4 |
| 16 | YK10ECF.16 | Base Support | 1 |
| 17 | YK10ECF.17 | Foot | 2 |
| 18 | YK10ECF.18 | Bolt M8 x 16mm | 2 |
| 19 | YK20ECF.21 | Handle | 1 |
| 20 | SS825.S | Hex Head Set Screw M8 x 25mm | 4 |
| 21 | YK10ECF.21 | Brace (280mm) | 4 |
| -- | YK10ECF.FK | Fixing Kit (Not Shown) | 1 |

NOTE: It is our policy to continually improve products and as such we reserve the right to alter data, specifications and component parts without prior notice. There may be alternative versions of this product, please contact us should you require this information.

IMPORTANT: No liability is accepted for incorrect use of product. Spare parts must be fitted by a competent person

WARRANTY: Guarantee is 12 months from purchase date, proof of which will be required for any claim.