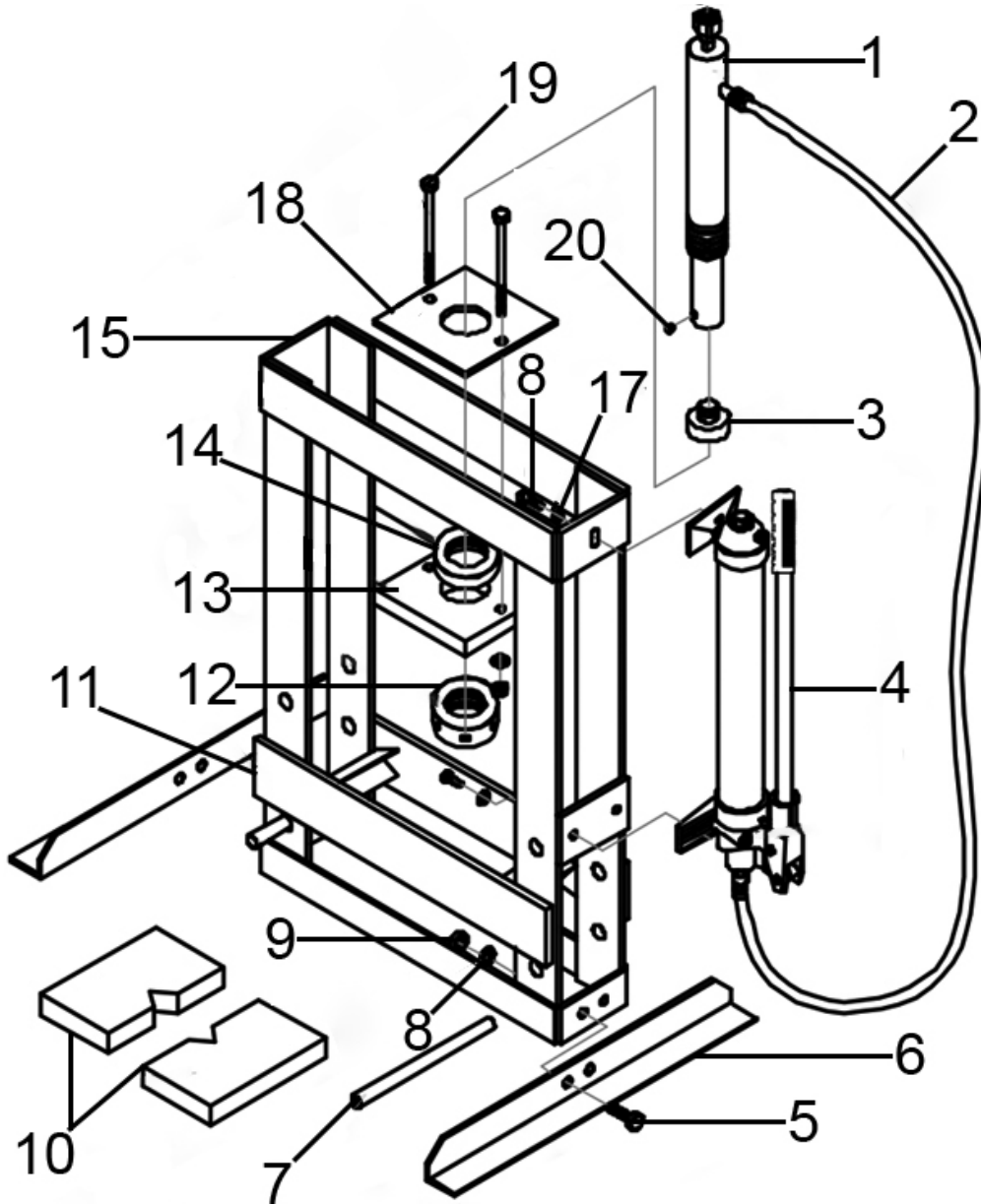


Parts Information:  
**Hydraulic Press 10tonne Bench Type  
 without Gauge**  
**Model No: YK10BLG.V2**



Item	Part No.	Description
1	YK10B.V3-03	Ram Assembly
2	RE97.10-03	Hose Assembly
3	YK10B.V3-05	Serrated Saddle
4	YK10BLGV2.04	Pump Assembly
5	SS1025.S	Hex Head Set Screw M10 x 25mm
6	YK10B.V3-08	Base Support
7	YK10B.V3-09	Pin, Table Support 220 x 18mm
8	FWM10.S	Flat Washer M10
9	SN10.S	Steel Nut M10
10	YK10B.V3-12	Arbor Plate (170 x 100 x 20)

Item	Part No.	Description
11	YK10B.V3-13	Table
12	YK10B.V3-14	Straight Adaptor
13	YK10B.V3-15	Ram Support Plate, Lower
14	YK10B.V3-16	Ring Nut
15	YK10B.V3-17	Frame
17	SS816.S	Hex Head Set Screw M8 x 16mm
18	YK10B.V3-20	Ram Support Plate, Upper
19	HHB10110.S	Hex Head Bolt M10 x 110mm
20	YK10BLGV2.20	Screw
--	YK10BLGV2.RK	Repair Kit (Not Shown)

**NOTE:** It is our policy to continually improve products and as such we reserve the right to alter data, specifications and component parts without prior notice. There may be alternative versions of this product, please contact us should you require this information.

**IMPORTANT:** No liability is accepted for incorrect use of product. Spare parts must be fitted by a competent person

**WARRANTY:** Guarantee is 12 months from purchase date, proof of which will be required for any claim.