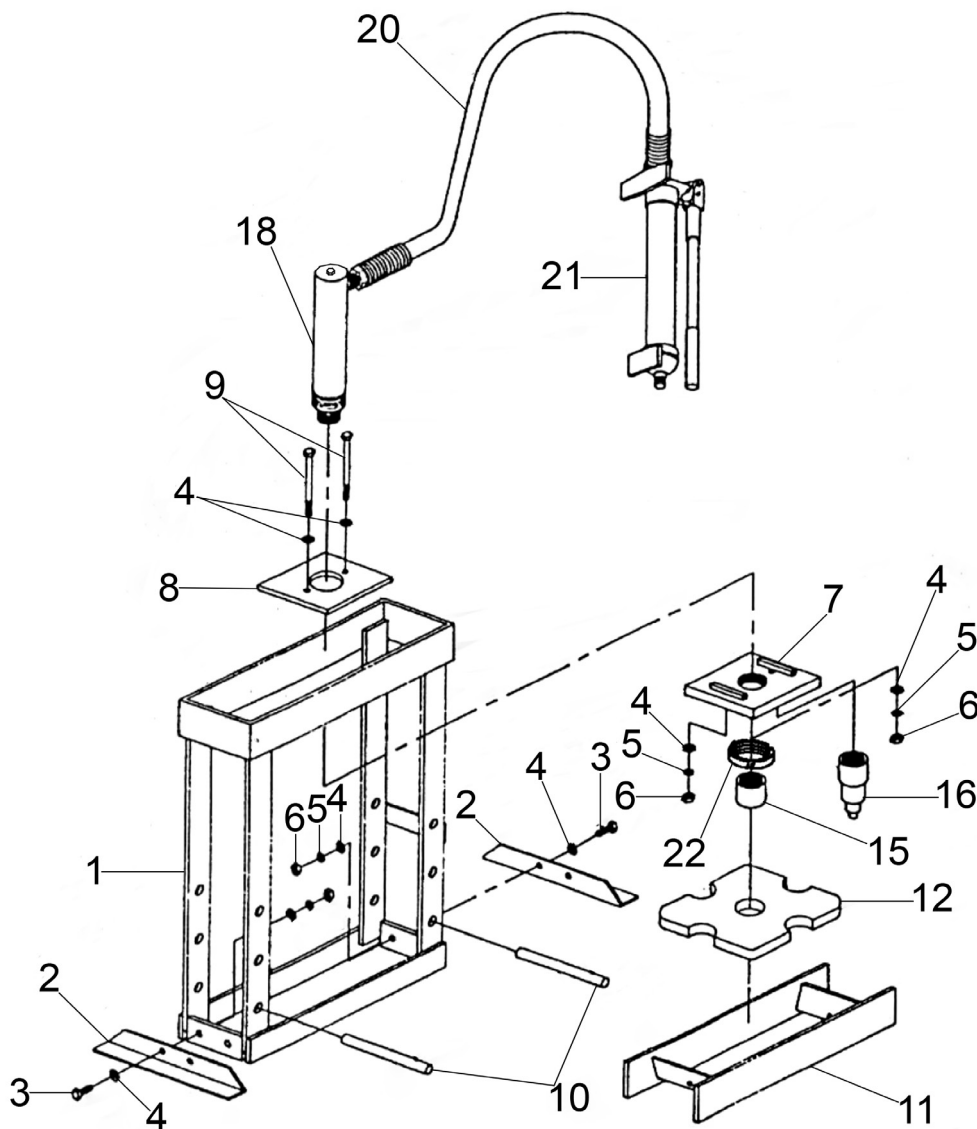


Parts Information:  
**Hydraulic Press 10tonne Bench Type  
 without Gauge**  
**Model No: YK10BLG**



Item	Part No.	Description	Qty
1	YK10BLG/01	Frame	1
2	YK10BLG/02	Base Support	2
3	SS1230.S	Hex Head Set Screw M12 x 30mm	4
4	FWM10.S	Flat Washer M10	8
5	SWM10.S	Spring Washer M10	6
6	SN10.S	Steel Nut M10	6
7	YK10BLG/07	Ram Support Plate, Lower	1
8	YK10BLG/08	Ram Support Plate, Upper	1
9	HHB10120.S	Hex Head Bolt M10 x 120mm	2
10	YK10BLG/10	Pin, Table Support 190 x 18mm	2

Item	Part No.	Description	Qty
11	YK10BLG/11	Table	1
12	YK10BLG/12	Arbor Plate 230 x 230 x 35	1
15	YK10F/25	Adaptor	1
16	YK10F/26	Stepped Adaptor	1
18	610/41	Push Ram 10T	1
20	RE97.10-03	Hose Assembly	1
21	610/40	Hydraulic Pump 10T	1
22	YK10B.22	Ring Nut	1
--	YK10BLG/FK	Fixing Kit (Not Shown)	1
--	610/7	Serrated Saddle (Not Shown)	1

**NOTE:** It is our policy to continually improve products and as such we reserve the right to alter data, specifications and component parts without prior notice. There may be alternative versions of this product, please contact us should you require this information.

**IMPORTANT:** No liability is accepted for incorrect use of product. Spare parts must be fitted by a competent person

**WARRANTY:** Guarantee is 12 months from purchase date, proof of which will be required for any claim.