

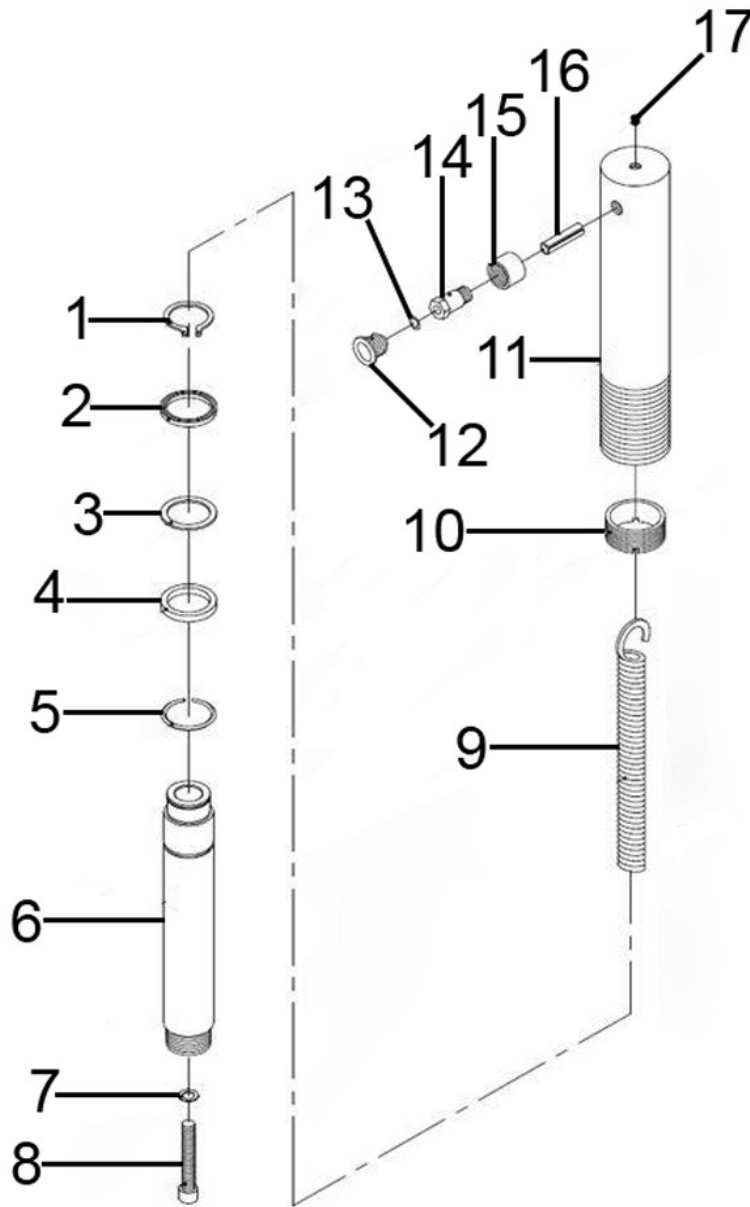
Item	Part No.	Description	Qty
1	610/40	Hydraulic Pump 10T	1
2	RE97.10-03	Hose Assembly	1
3	YC10B.V2-02	Extension Tube, Long	1
4	YC10B.V2-03	Serrated Saddle A	1
5	YC10B.V2-04	Serrated Saddle B	1

Item	Part No.	Description	Qty
6	YC10B.V2-05	Ring Nut	1
7	YC10B.V2-06	Extension Tube, Short	1
8	YC10B.V2-07	Arbor Plate (140x140x20)	2
9	YC10B.V2-08	Ram Assembly	1
10	YC10B.V2-09	Frame	1

NOTE: It is our policy to continually improve products and as such we reserve the right to alter data, specifications and component parts without prior notice. There may be alternative versions of this product, please contact us should you require this information.

IMPORTANT: No liability is accepted for incorrect use of product. Spare parts must be fitted by a competent person

WARRANTY: Guarantee is 12 months from purchase date, proof of which will be required for any claim.



Item	Part No.	Description	Qty
1	YC10B.V2-R01	External Circlip (ID: 32mm)	1
2	YC10B.V2-R02	Seal Ring	1
3	YC10B.V2-R03	PTFE Ring	1
4	YC10B.V2-R04	Washer	1
5	YC10B.V2-R05	Limited Ring	1
6	YC10B.V2-R06	Piston	1
7	YC10B.V2-R07	Copper Washer	1
8	YC10B.V2-R08	Screw	1
9	YC10B.V2-R09	Spring Ø 20.3mm	1

Item	Part No.	Description	Qty
10	YC10B.V2-R10	Limited Ring	1
11	YC10B.V2-R11	Ram	1
12	YC10B.V2-R12	Dust Cover	1
13	YC10B.V2-R13	O-Ring (14.30 x 9.58 x 2.36)	1
14	YC10B.V2-R14	Connector	1
15	YC10B.V2-R15	Nut	1
16	YC10B.V2-R16	Lock Pin	1
17	YC10B.V2-R17	Screw	1
--	YC10B.V2-R09A	Spring Seat M8 (Not Shown)	1

NOTE: It is our policy to continually improve products and as such we reserve the right to alter data, specifications and component parts without prior notice. There may be alternative versions of this product, please contact us should you require this information.

IMPORTANT: No liability is accepted for incorrect use of product. Spare parts must be fitted by a competent person

WARRANTY: Guarantee is 12 months from purchase date, proof of which will be required for any claim.