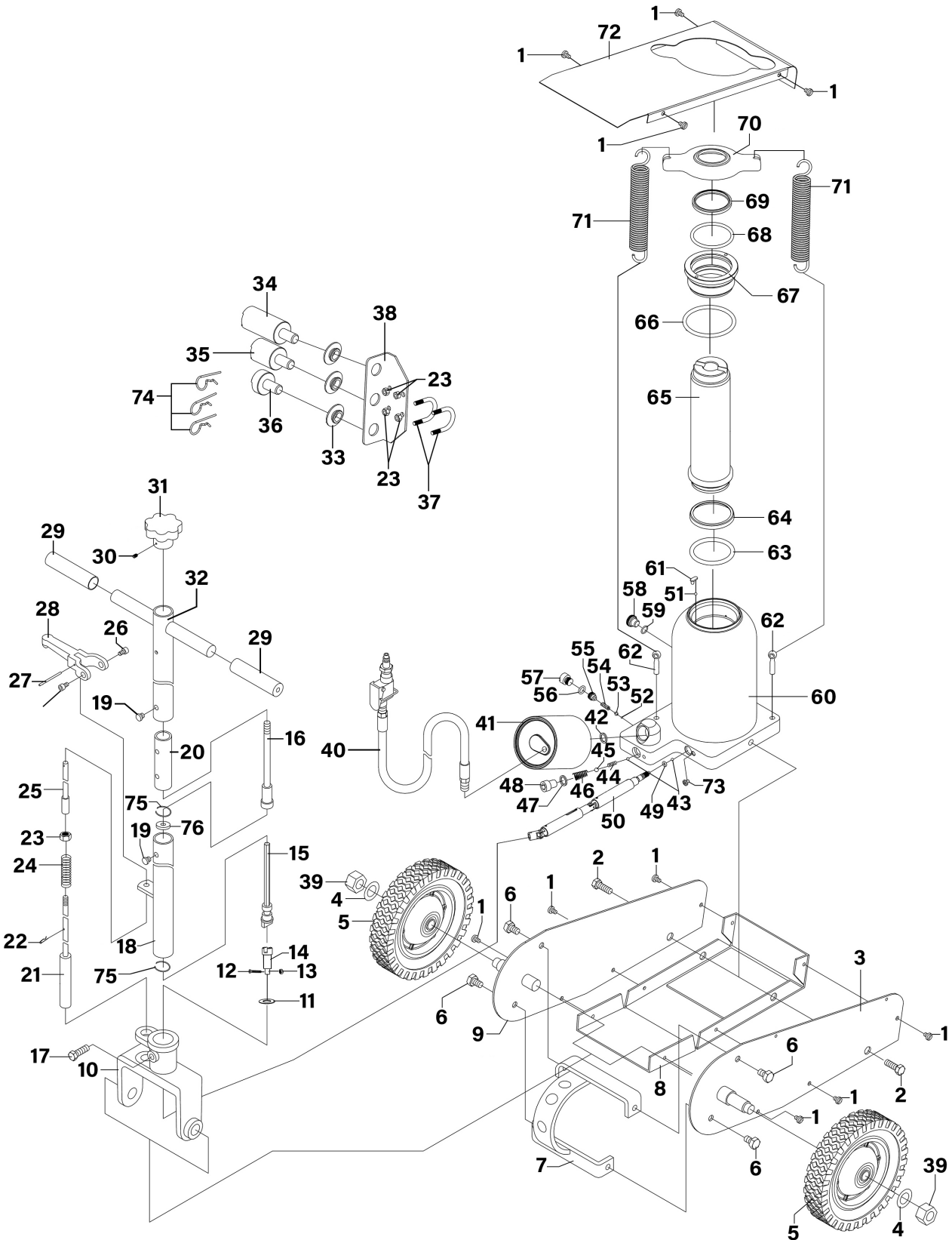


Parts Information:  
**Air Operated Trolley Jack 35 Tonne - Single Stage**  
**Model No: YAJ35B**



**NOTE:** It is our policy to continually improve products and as such we reserve the right to alter data, specifications and component parts without prior notice. There may be alternative versions of this product, please contact us should you require this information.

**IMPORTANT:** No liability is accepted for incorrect use of product. Spare parts must be fitted by a competent person

**WARRANTY:** Guarantee is 12 months from purchase date, proof of which will be required for any claim.



Parts Information:  
**Air Operated Trolley Jack 35 Tonne - Single Stage**  
**Model No: YAJ35B**

Item	Part No.	Description	Qty
1	YAJ35B-01	Slotted Screw M6x8	10
2	SS1020.S	Hex Head Set Screw M10 X 20 Zinc	2
3	YAJ35B-03	Frame, Right Side	1
4	FWM12.S	Flat Washer M12 Zinc	2
5	YAJ35B-05	Wheel	2
6	SS1016.S	Hex Head Set Screw M10 X 16 Zinc	4
7	YAJ35B-07	Handle Location Pin	1
8	YAJ35B-08	Base	1
9	YAJ35B-09	Frame, Left Side	1
10	YAJ35B-10	Handle Socket	1
11	FWM24.S	Flat Washer M24 Zinc	1
12	MSP422.S	Machine Screw Pan Head Phillips M4 x 22mm	1
13	SN4.S	Steel Nut M4 Zinc	1
14	YAJ35B-14	Connector	1
15	YAJ35B-15	Connecting Rod Assembly (A)	1
16	YAJ35B-16	Connecting Rod Assembly (B)	1
17	SS1015.S	Hex Head Set Screw M10 X 15 Zinc	1
18	YAJ35B-18	Lower Handle	1
19	SS810.S	Hex Head Set Screw M8 X 10 Zinc	2
20	YAJ35B-20	Connecting Shaft	1
21	YAJ35B-21	Connecting Pin	1
22	YAJ35B-22	R-Pin	1
23	SN8.S	Steel Nut M8 Zinc	5
24	YAJ35B-24	Connecting Pin Spring	1
25	YAJ35B-25	Lengthening Rod	1
26	SCB68.S	Socket Cap Bolt M6 x 8mm	2
27	YAJ35B-27	Pin for Locking Lever Handle	1
28	YAJ35B-28	Locking Lever Handle	1
29	YAJ35B-29	Handle Grip	2
30	GSM610.S	Grub Screw M6x10 (Single)	1
31	YAJ35B-31	Handle Knob	1
32	YAJ35B-32	Upper Handle	1
33	YAJ35B-33	Extension Adaptor/Saddle Protector	3
34	YAJ35B-34	Extension Adaptor/Saddle 20mm	1
35	YAJ35B-35	Extension Adaptor/Saddle 60mm	1
36	YAJ35B-36	Extension Adaptor/Saddle 100mm	1
37	YAJ35B-37	U-Bolt	2
38	YAJ35B-38	Extension Adaptor/Saddle Holder	1

Item	Part No.	Description	Qty
39	YAJ35B-39	Damping Nut M12	2
40	YAJ35B-40	Air Hose	1
41	YAJ35B-41	Air Motor	1
42	YAJ35B-42	Copper Washer (Ø18.2 x Ø12)	1
43	SB-5.0	Steel Ball 5.0mm	2
44	YAJ35B-44	Spring	1
45	SB-8.0	Steel Ball 8.0mm	1
46	YAJ35B-46	Spring	1
47	YAJ35B-47	Copper Washer (Ø14 x Ø10.2)	1
48	YAJ35B-48	Hex Socket Cap Bolt M10x13	1
49	YAJ35B-49	O-Ring Ø5.5 x 3	1
50	YAJ35B-50	Release Valve Assembly	1
51	SB-5.6	Steel ball 5.6mm	1
52	SB-3.5	Steel Ball 3.5mm	1
53	YAJ35B-53	Steel Ball Seat	1
54	YAJ35B-54	Spring / Spring	1
55	YAJ35B-55	Base Screw M12 x 8.5	1
56	YAJ35B-56	O-Ring Ø7.8 x 2.2	1
57	YAJ35B-57	Release Valve Screw M10 x 7	1
58	YAJ35B-58	Oil Filler Plug Screw M10 x 7	1
59	YAJ35B-59	O-Ring Ø7.5 x 2.65	1
60	YAJ35B-60	Pump	1
61	YAJ35B-61	Steel Ball Plate	1
62	YAJ35B-62	Eye Bolt	2
63	YAJ35B-63	O-Ring Ø64 x 5.3	1
64	YAJ35B-64	Seal	1
65	YAJ35B-65	Piston	1
66	YAJ35B-66	O-Ring Ø77 x 2.5	1
67	YAJ35B-67	Limited Ring / Limited Ring	1
68	YAJ35B-68	O-Ring Ø63 x 2.5	1
69	YAJ35B-69	Dust Ring	1
70	YAJ35B-70	Tension Spring Cover	1
71	YAJ35B-71	Tension Spring	2
72	YAJ35B-72	Cover Plate	1
73	YAJ35B-73	Screw M6 x 8	1
74	YAJ35B-74	R-Pin	3
75	YAJ35B-75	Retainer Ring	2
76	YAJ35B-76	Washer Ø28 x Ø10	1

**NOTE:** It is our policy to continually improve products and as such we reserve the right to alter data, specifications and component parts without prior notice. There may be alternative versions of this product, please contact us should you require this information.

**IMPORTANT:** No liability is accepted for incorrect use of product. Spare parts must be fitted by a competent person

**WARRANTY:** Guarantee is 12 months from purchase date, proof of which will be required for any claim.

Sealey Group, Kempson Way, Suffolk Business Park, Bury St Edmunds, Suffolk. IP32 7AR



01284 757500



sales@sealey.co.uk



www.sealey.co.uk