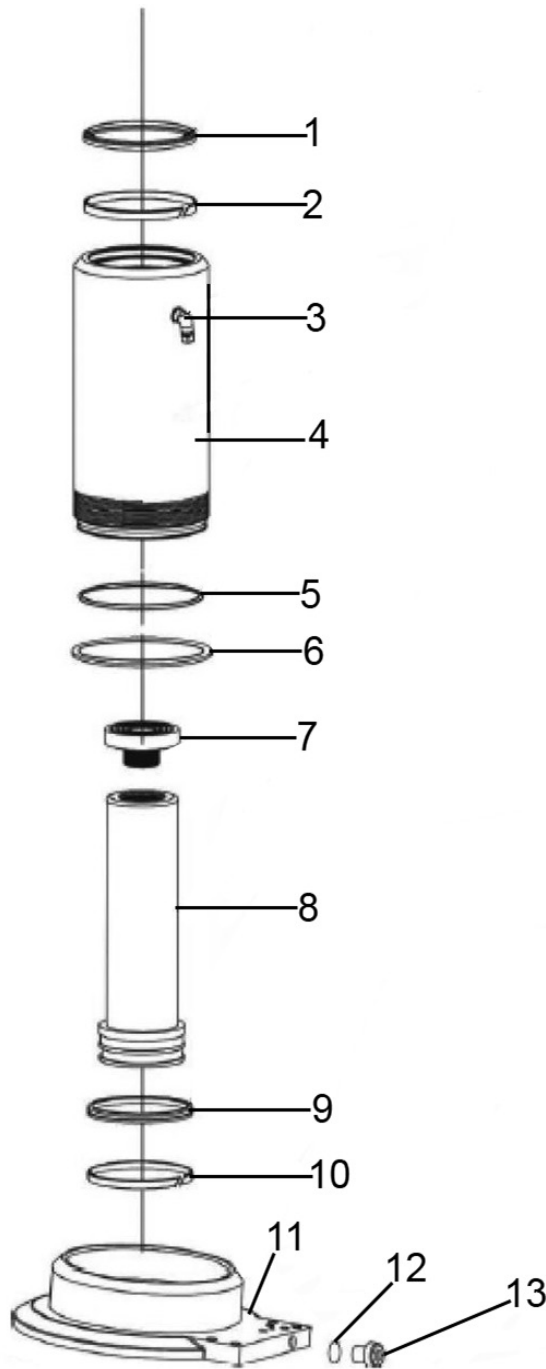




Parts Information:
Air Operated Jack 30tonne - Single Stage High Lift
Model No: YAJ30H



Item	Part No.	Description	Qty
1	YAJ30H.1H01	Dustproof Ring	1
2	YAJ30H.1H02	Guide Ring	1
3	YAJ30H.1H03	Elbow	1
4	YAJ30H.1H04	Outer Sleeve	1
5	YAJ30H.1H05	O-Ring (127.30 x 120.24 x 3.53)	1
6	YAJ30H.1H06	Locking Ring	1
7	YAJ30H.1H07	Top Cover	1

Item	Part No.	Description	Qty
8	YAJ30H.1H08	Piston	1
9	YAJ30H.1H09	Seal	1
10	YAJ30H.1H10	Guide Ring	1
11	YAJ30H.1H11	Base	1
12	YAJ30H.1H12	Rubber Seal	1
13	YAJ30H.1H13	Screw	1

NOTE: It is our policy to continually improve products and as such we reserve the right to alter data, specifications and component parts without prior notice. There may be alternative versions of this product, please contact us should you require this information.

IMPORTANT: No liability is accepted for incorrect use of product. Spare parts must be fitted by a competent person

WARRANTY: Guarantee is 12 months from purchase date, proof of which will be required for any claim.

Sealey Group, Kempson Way, Suffolk Business Park, Bury St Edmunds, Suffolk. IP32 7AR



01284 757500



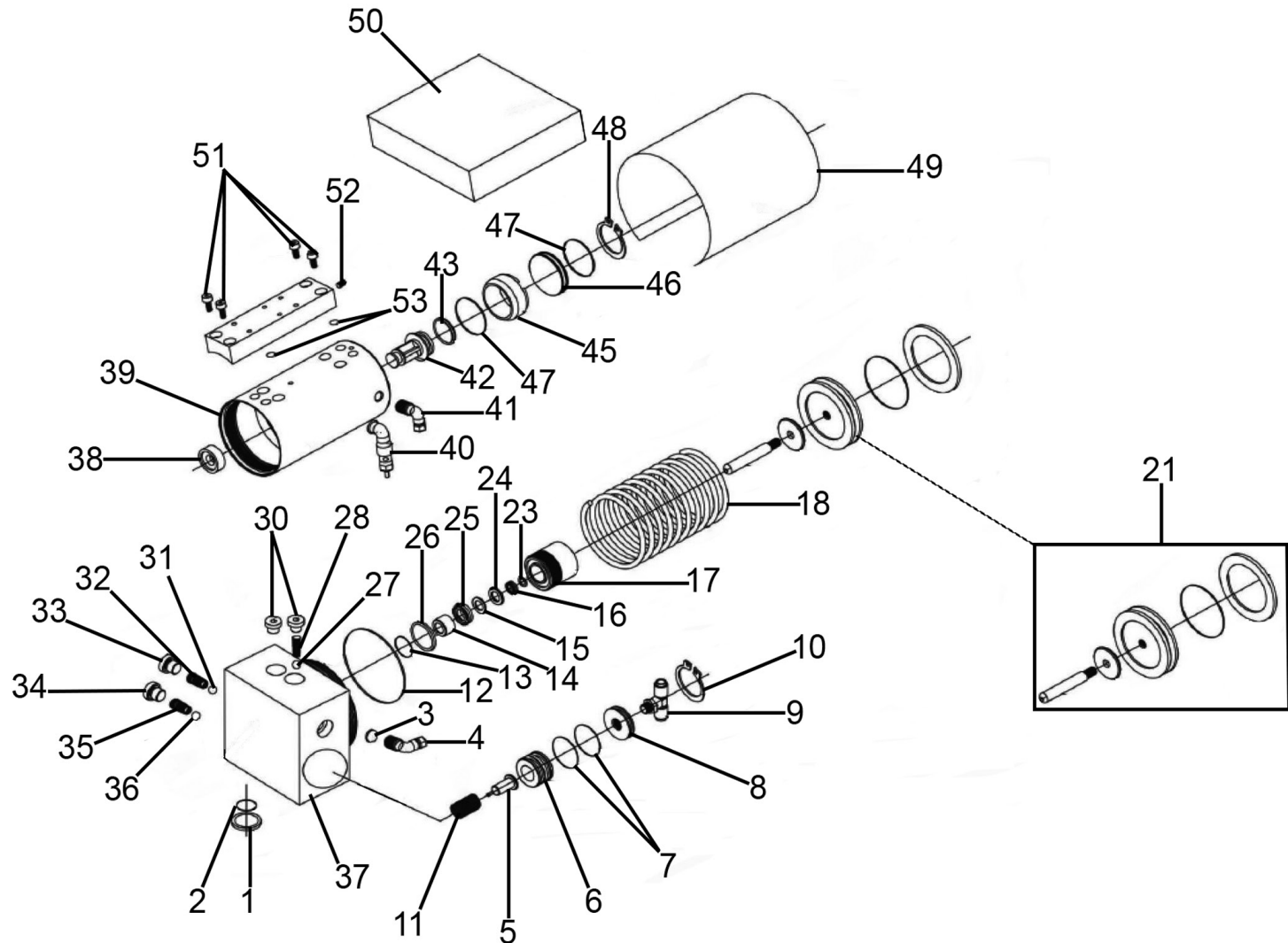
sales@sealey.co.uk



www.sealey.co.uk



Parts Information:
Air Operated Jack 30tonne - Single Stage High Lift
Model No: YAJ30H



NOTE: It is our policy to continually improve products and as such we reserve the right to alter data, specifications and component parts without prior notice.

There may be alternative versions of this product, please contact us should you require this information.

IMPORTANT: No liability is accepted for incorrect use of product. Spare parts must be fitted by a competent person

WARRANTY: Guarantee is 12 months from purchase date, proof of which will be required for any claim.

Sealey Group, Kempson Way, Suffolk Business Park, Bury St Edmunds, Suffolk. IP32 7AR



01284 757500



sales@sealey.co.uk



www.sealey.co.uk



Parts Information:
**Air Operated Jack 30tonne - Single Stage
High Lift
Model No: YAJ30H**

Item	Part No.	Description	Qty
1	YAJ30H.J01	Locking Ring	1
2	YAJ30H.J02	O-Ring	1
3	YAJ30H.J03	Filter	1
4	YAJ30H.J04	Elbow	1
5	YAJ30H.J05	Oil Drain Bolt	1
6	YAJ30H.J06	Oil Drain Piston	1
7	YAJ30H.J07	O-Ring	2
8	YAJ30H.J08	End Cover	1
9	YAJ30H.J09	T-Piece	1
10	YAJ30H.J10	Retaining Ring	1
11	YAJ30H.J11	Spring Ø 16.5mm	1
12	YAJ30H.J12	O-Ring	1
13	YAJ30H.J13	O-Ring	1
14	YAJ30H.J14	Guide Bushing	1
15	YAJ30H.J15	Locking Ring	1
16	YAJ30H.J16	Seal	1
17	YAJ30H.J17	Plunger Bushing	1
18	YAJ30H.J18	Spring Ø 67.6mm	1
21	YAJ30H.J21	Piston Assembly	1
23	YAJ30H.J23	Locking Ring	1
24	YAJ30H.J24	Spacer	1
25	YAJ30H.J25	Seal	1
26	YAJ30H.J26	Locking Ring	1
27	YAJ30H.J27	Steel Ball	1

Item	Part No.	Description	Qty
28	YAJ30H.J28	Spring Ø 7.02mm	1
30	YAJ30H.J30	Screw Nut	1
31	YAJ30H.J31	Steel Ball	1
32	YAJ30H.J32	Spring	1
33	YAJ30H.J33	Screw Nut	1
34	YAJ30H.J34	Screw Nut	1
35	YAJ30H.J35	Spring	1
36	YAJ30H.J36	Steel Ball	1
37	YAJ30H.J37	Check Valve	1
38	YAJ30H.J38	Rubber Cap	1
39	YAJ30H.J39	Air Cylinder	1
40	YAJ30H.J40	Safety Valve	1
41	YAJ30H.J41	Elbow	1
42	YAJ30H.J42	Piston	1
43	YAJ30H.J43	Seal	1
45	YAJ30H.J45	Valve Hood	1
46	YAJ30H.J46	End Cover	1
47	YAJ30H.J47	O-Ring (44.58 x 39.34 x 2.62)	2
48	YAJ30H.J48	Retaining Ring	1
49	YAJ30H.J49	Protecting Hood	1
50	YAJ30H.J50	Foam Filter	1
51	YAJ30H.J51	Screw	4
52	YAJ30H.J52	Screw Nut	1
53	YAJ30H.J53	O-Ring	2

NOTE: It is our policy to continually improve products and as such we reserve the right to alter data, specifications and component parts without prior notice. There may be alternative versions of this product, please contact us should you require this information.

IMPORTANT: No liability is accepted for incorrect use of product. Spare parts must be fitted by a competent person

WARRANTY: Guarantee is 12 months from purchase date, proof of which will be required for any claim.

Sealey Group, Kempson Way, Suffolk Business Park, Bury St Edmunds, Suffolk. IP32 7AR



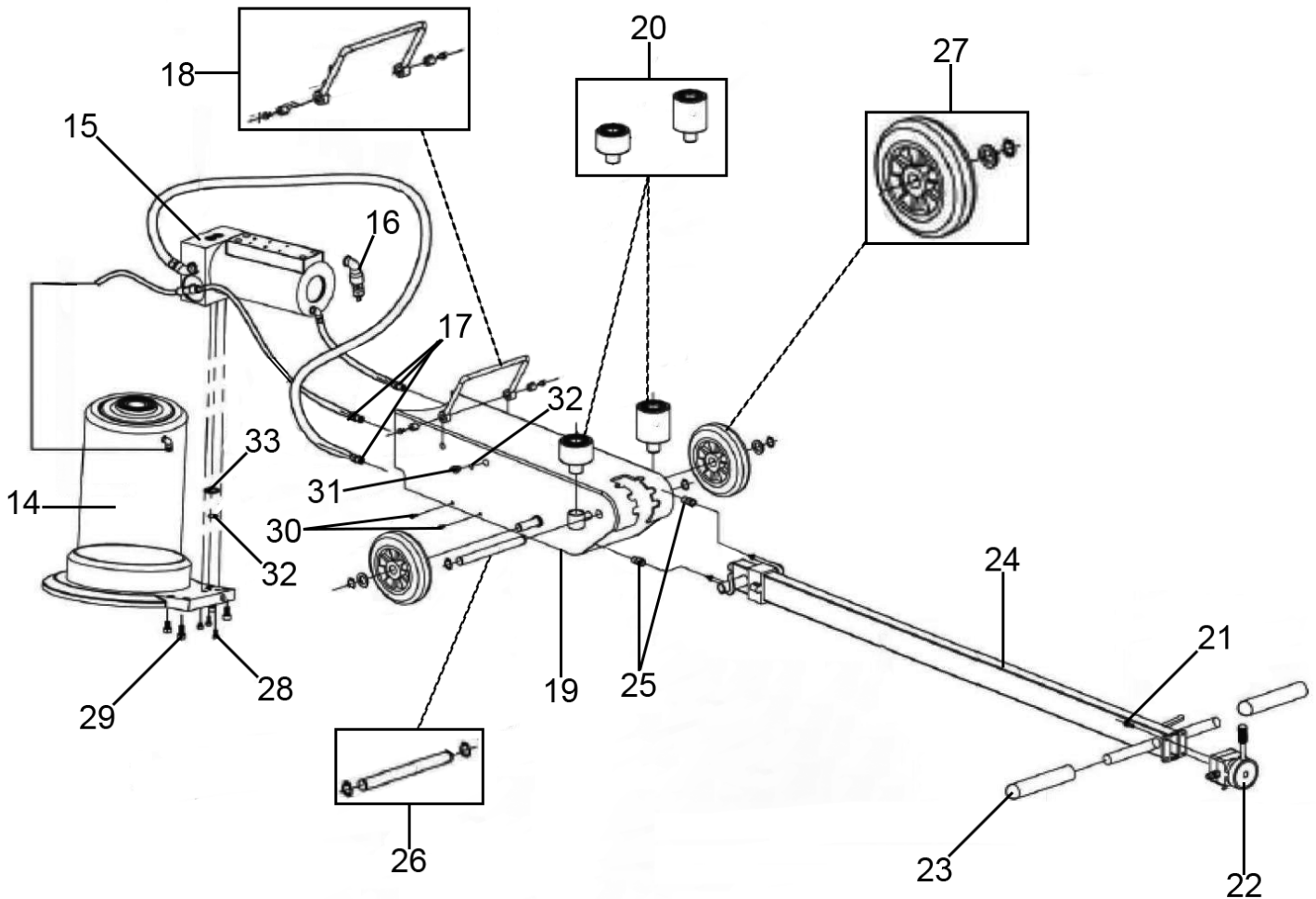
01284 757500



sales@sealey.co.uk



www.sealey.co.uk



Item	Part No.	Description	Qty
14	YAJ30H.1H14	Oil Cylinder Assembly	1
15	YAJ30H.1H15	Pump Assembly	1
16	YAJ30H.1H16	Safety Valve	1
17	YAJ30H.1H17	Joint	3
18	YAJ30H.1H18	Lifting Handle	1
19	YAJ30H.1H19	Oil Tank	1
20	YAJ30H.1H20	Adaptors	1
21	SCB516.SB	Socket Cap Bolt M5 x 16mm Black	4
22	YAJ30H.1H22	Air Switch (c/w Lever)	1
23	YAJ30H.1H23	Handle Grip	2
24	YAJ30H.1H24	Handle Assembly	1

Item	Part No.	Description	Qty
25	YAJ30H.1H25	Joint	2
26	YAJ30H.1H26	Wheel Axle	1
27	YAJ30H.1H27	Wheel (c/w Fixings)(200 x 50 x 46)	2
28	YAJ30H.1H28	Screw	4
29	YAJ30H.1H29	Screw	4
30	YAJ30H.1H30	Screw	4
31	YAJ30H.1H31	Screw	2
32	YAJ30H.1H32	O-Ring	1
33	YAJ30H.1H33	Locking Ring	1
--	SFS819.S	Hex Head Flange Bolt M8 x 19mm (Not Shown)	2

NOTE: It is our policy to continually improve products and as such we reserve the right to alter data, specifications and component parts without prior notice. There may be alternative versions of this product, please contact us should you require this information.

IMPORTANT: No liability is accepted for incorrect use of product. Spare parts must be fitted by a competent person

WARRANTY: Guarantee is 12 months from purchase date, proof of which will be required for any claim.