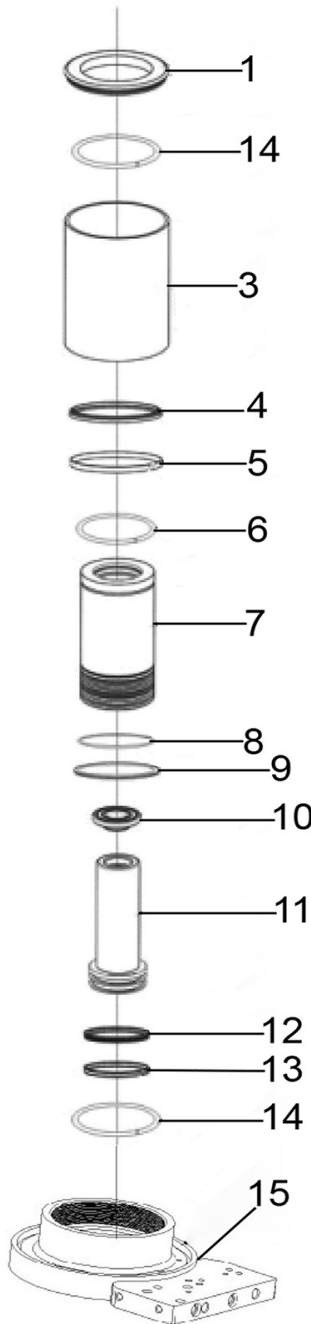




Parts Information:
Air Operated Jack 30tonne - Single Stage
Model No: YAJ301



Item	Part No.	Description	Qty
1	YAJ301.01	Cover	1
3	YAJ301.03	Oil Tank	1
4	YAJ301.04	Dustproof Seal Ring	1
5	YAJ301.05	Guide Ring	1
6	YAJ301.06	O-Ring (112.86 x 107.62 x 2.62)	1
7	YAJ301.07	Outer Sleeve	1
8	PCDM3600V2P07	O-Ring (105.08 x 98.02 x 3.53)	1
9	YAJ301.09	Locking Ring	1

Item	Part No.	Description	Qty
10	YAJ301.10	Top Cover	1
11	YAJ301.11	Piston	1
12	YAJ301.12	XTP Sealing	1
13	YAJ301.13	Guide Ring	1
14	YAJ301.14	O-Ring (170.01 x 164.77 x 2.62)	2
15	YAJ301.15	Base	1
--	YAJ301.07A	Outer Sleeve Assembly (Not Shown)	--
--	YAJ301.11A	Piston Assembly (Not Shown)	--

NOTE: It is our policy to continually improve products and as such we reserve the right to alter data, specifications and component parts without prior notice. There may be alternative versions of this product, please contact us should you require this information.

IMPORTANT: No liability is accepted for incorrect use of product. Spare parts must be fitted by a competent person

WARRANTY: Guarantee is 12 months from purchase date, proof of which will be required for any claim.

Sealey Group, Kempson Way, Suffolk Business Park, Bury St Edmunds, Suffolk. IP32 7AR



01284 757500

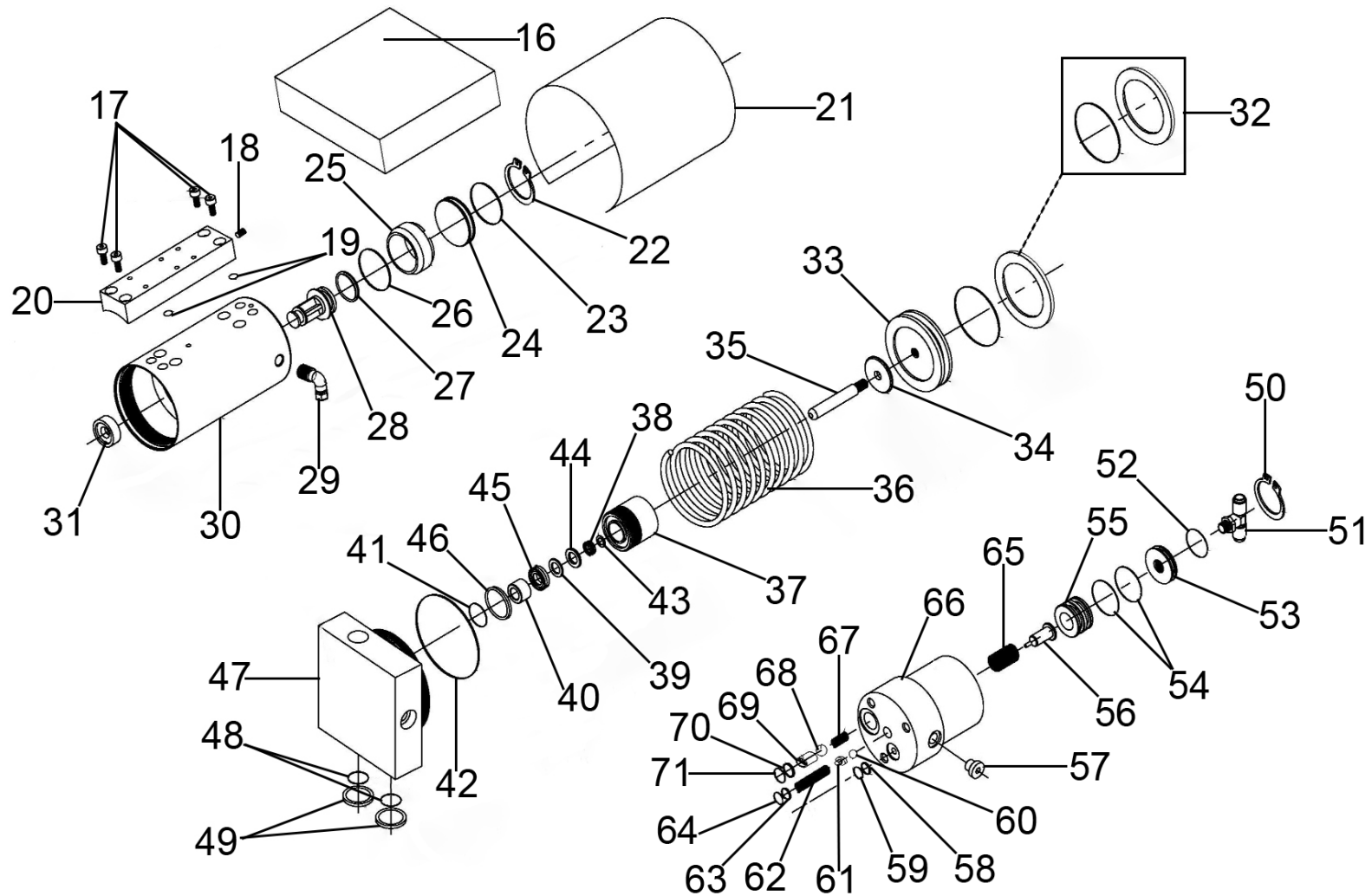


sales@sealey.co.uk



www.sealey.co.uk

Parts Information:
Air Operated Jack 30tonne - Single Stage
Model No: YAJ301



NOTE: It is our policy to continually improve products and as such we reserve the right to alter data, specifications and component parts without prior notice.

There may be alternative versions of this product, please contact us should you require this information.

IMPORTANT: No liability is accepted for incorrect use of product. Spare parts must be fitted by a competent person

WARRANTY: Guarantee is 12 months from purchase date, proof of which will be required for any claim.



Parts Information:
Air Operated Jack 30tonne - Single Stage
Model No: YAJ301

Item	Part No.	Description	Qty
16	YAJ301.16	Foam Pad	1
17	YAJ301.17	Screws	4
18	YAJ301.18	Screws	1
19	YAJ301.19	O-Ring	2
20	YAJ301.20	Exhaust Hood	1
21	YAJ301.21	Protecting Cover	1
22	YAJ301.22	Retaining Ring	1
23	YAJ301.23	O-Ring	1
24	YAJ301.24	End Cover	1
25	YAJ301.25	Inner Sleeve	1
26	YAJ301.26	O-Ring	1
27	YAJ301.27	U-Ring	1
28	YAJ301.28	Piston	1
29	YAJ301.29	Elbow	1
30	YAJ301.30	Air Cylinder	1
31	YAJ301.31	Rubber Cap	1
32	YAJ301.32	OE Seal	1
33	YAJ301.33	Piston	1
34	YAJ301.34	Spacer	1
35	YAJ301.35	Plunger Rod	1
36	YAJ301.36	Spring	1
37	YAJ301.37	Oil Pump	1
38	YAJ301.38	Seal	1
39	YAJ301.39	Spacer	1
40	YAJ301.40	Guide Bushing	1
41	YAJ301.41	O-Ring	1
42	YAJ301.42	O-Ring	1
43	YAJ301.43	Locking Ring	1

Item	Part No.	Description	Qty
44	YAJ301.44	Spacer	1
45	YAJ301.45	Seal	1
46	YAJ301.46	Locking Ring	1
47	YAJ301.47	Pump Block	1
48	YAJ301.48	O-Ring	2
49	YAJ301.49	Locking Ring	2
50	YAJ301.50	Retaining Ring	1
51	YAJ301.51	Elbow	1
52	YAJ301.52	O-Ring	1
53	YAJ301.53	End Cover	1
54	YAJ301.54	O-Ring	2
55	YAJ301.55	Oil Drain Piston	1
56	YAJ301.56	Oil Drain Bolt	1
57	YAJ301.57	Screw	1
58	YAJ301.58	Locking Ring	1
59	YAJ301.59	O-Ring	1
60	YAJ301.60	Steel Ball	1
61	YAJ301.61	Steel Ball Seat	1
62	YAJ301.62	Spring	1
63	YAJ301.63	Locking Ring	1
64	YAJ301.64	O-Ring	1
65	YAJ301.65	Spring	1
66	YAJ301.66	Oil Drain Valve	1
67	YAJ301.67	Spring Ø 6.1mm	1
68	YAJ301.68	Steel Ball	1
69	YAJ301.69	Steel Ball Bushing	1
70	YAJ301.70	Locking Ring	1
71	YAJ301.71	O-Ring	1

NOTE: It is our policy to continually improve products and as such we reserve the right to alter data, specifications and component parts without prior notice. There may be alternative versions of this product, please contact us should you require this information.

IMPORTANT: No liability is accepted for incorrect use of product. Spare parts must be fitted by a competent person

WARRANTY: Guarantee is 12 months from purchase date, proof of which will be required for any claim.

Sealey Group, Kempson Way, Suffolk Business Park, Bury St Edmunds, Suffolk. IP32 7AR



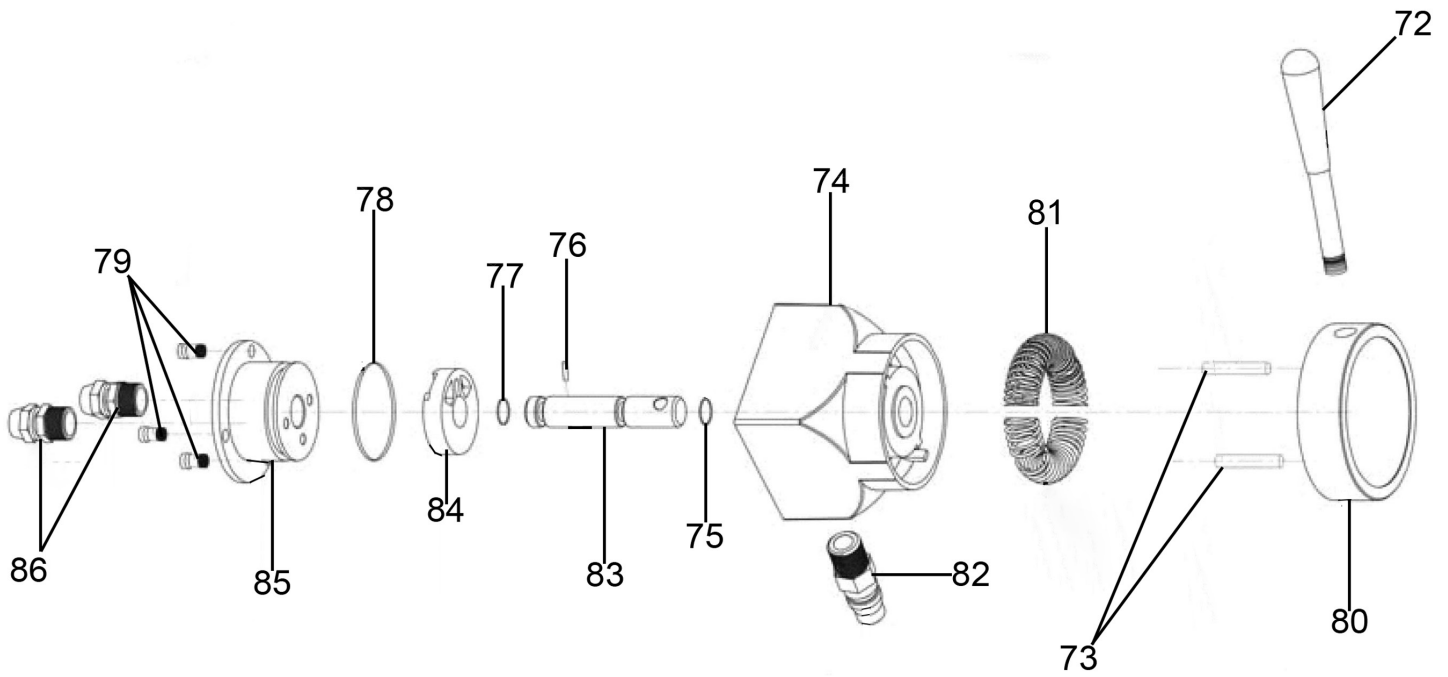
01284 757500



sales@sealey.co.uk



www.sealey.co.uk



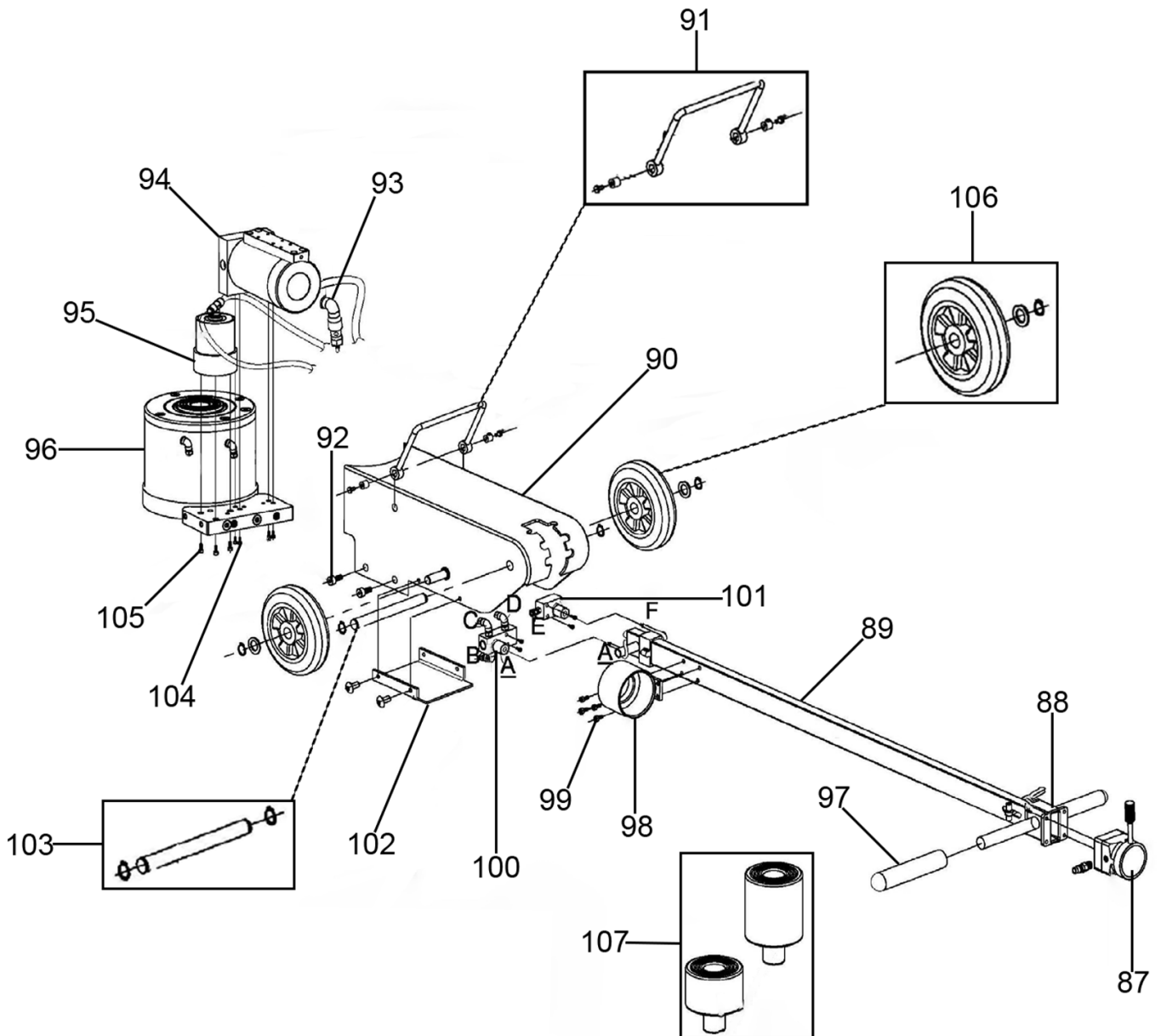
Item	Part No.	Description	Qty
72	YAJ301.72	Switch Handle	1
73	YAJ301.73	Straight Pin	2
74	YAJ301.74	Valve Body	1
75	YAJ301.75	O-Ring	1
76	YAJ301.76	Straight Pin	1
77	YAJ301.77	O-Ring	1
78	YAJ301.78	O-Ring	1
79	YAJ301.79	Screw	3

Item	Part No.	Description	Qty
80	YAJ301.80	Air Switch Cap	1
81	YAJ301.81	Spring	2
82	YAJ301.82	Adaptor	1
83	YAJ301.83	Central Spindle	1
84	YAJ301.84	Switch Valve Plate	1
85	YAJ301.85	Switch Panel Board	1
86	YAJ301.86	Adaptor	2

NOTE: It is our policy to continually improve products and as such we reserve the right to alter data, specifications and component parts without prior notice. There may be alternative versions of this product, please contact us should you require this information.

IMPORTANT: No liability is accepted for incorrect use of product. Spare parts must be fitted by a competent person

WARRANTY: Guarantee is 12 months from purchase date, proof of which will be required for any claim.



Item	Part No.	Description	Qty
87	YAJ301.87	Air Switch (c/w Lever)	1
88	YAJ301.88	Screw	1
89	YAJ301.89	Handle	1
90	YAJ301.90	Tank Body	1
91	YAJ301.91	Lifting Handle Set	1
92	YAJ301.92	Screws	4
93	YAJ301.93	Elbow	1
94	YAJ301.94	Pump Assembly	1
95	YAJ301.95	Oil Drain Valve Assembly	1
96	YAJ301.96	Oil Cylinder Assembly	1
97	YAJ301.97	Handle Grip	2

Item	Part No.	Description	Qty
98	YAJ301.98	Adaptor Holder	1
99	YAJ301.99	Screw	4
100	YAJ301.100	Circuit Block A	1
101	YAJ301.101	Circuit Block B	1
102	YAJ301.102	Bottom cover	1
103	YAJ301.103	Wheel Axle	1
104	YAJ301.104	Screw	4
105	YAJ301.105	Screw	3
106	YAJ301.106	Wheel (c/w Fixings)	2
107	YAJ20-40DC.99	Adaptors (45mm & 75mm)	1
--	YAJ301.HC	Handle Assembly (Not Shown)	--

NOTE: It is our policy to continually improve products and as such we reserve the right to alter data, specifications and component parts without prior notice. There may be alternative versions of this product, please contact us should you require this information.

IMPORTANT: No liability is accepted for incorrect use of product. Spare parts must be fitted by a competent person

WARRANTY: Guarantee is 12 months from purchase date, proof of which will be required for any claim.