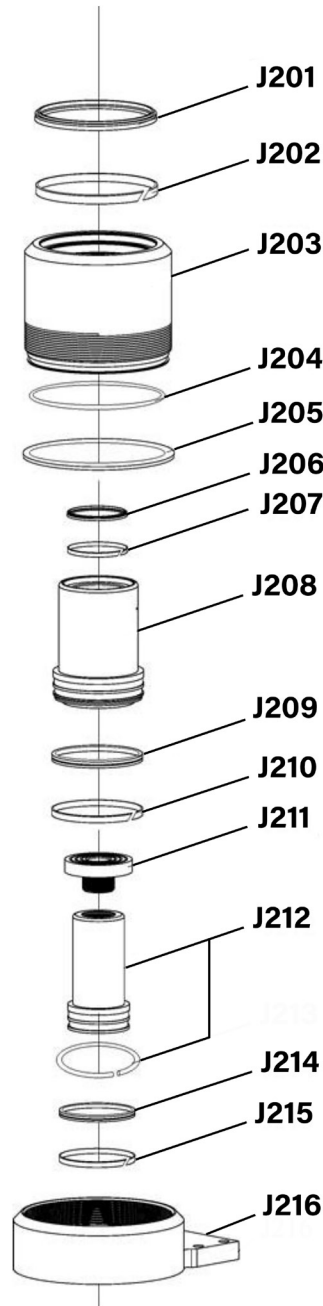




Parts Information:
**Air Operated Jack 15-30 Tonne Telescopic -
 Long Reach/Low Profile
 Model No: YAJ15-30LE.V3**



Item	Part No.	Description
J201	YAJ15-30LE.01	Dustproof Ring
J202	YAJ15-30LE.02	Guide ring (D x 100mm)
J203	YAJ15-30LE.03	Outer Sleeve
J204	YAJ15-30LE.04	O-ring, (Ex: 130.48 In: 123.42 Cs: 3.53)
J205	YAJ15-30LE.05	Locking Ring
J206	YAJ15-30LE.06	Dustproof Ring
J207	YAJ15-30LE.07	Guide ring (D x 60mm)
J208	YAJ15-30LE.08	Inner Sleeve

Item	Part No.	Description
J209	YAJ15-30LE.09	Seal Ring
J210	YAJ15-30LE.10	Guide ring (D x 110mm)
J211	YAJ15-30LE.11	Top Cover
J212	YAJ15-30LE.12	Piston
J214	YAJ15-30LE.14	Seal Ring
J215	YAJ15-30LE.15	Guide ring (D x 75mm)
J216	YAJ15-30LE.16	Base

NOTE: It is our policy to continually improve products and as such we reserve the right to alter data, specifications and component parts without prior notice. There may be alternative versions of this product, please contact us should you require this information.

IMPORTANT: No liability is accepted for incorrect use of product. Spare parts must be fitted by a competent person

WARRANTY: Guarantee is 12 months from purchase date, proof of which will be required for any claim.

Sealey Group, Kempson Way, Suffolk Business Park, Bury St Edmunds, Suffolk. IP32 7AR



01284 757500



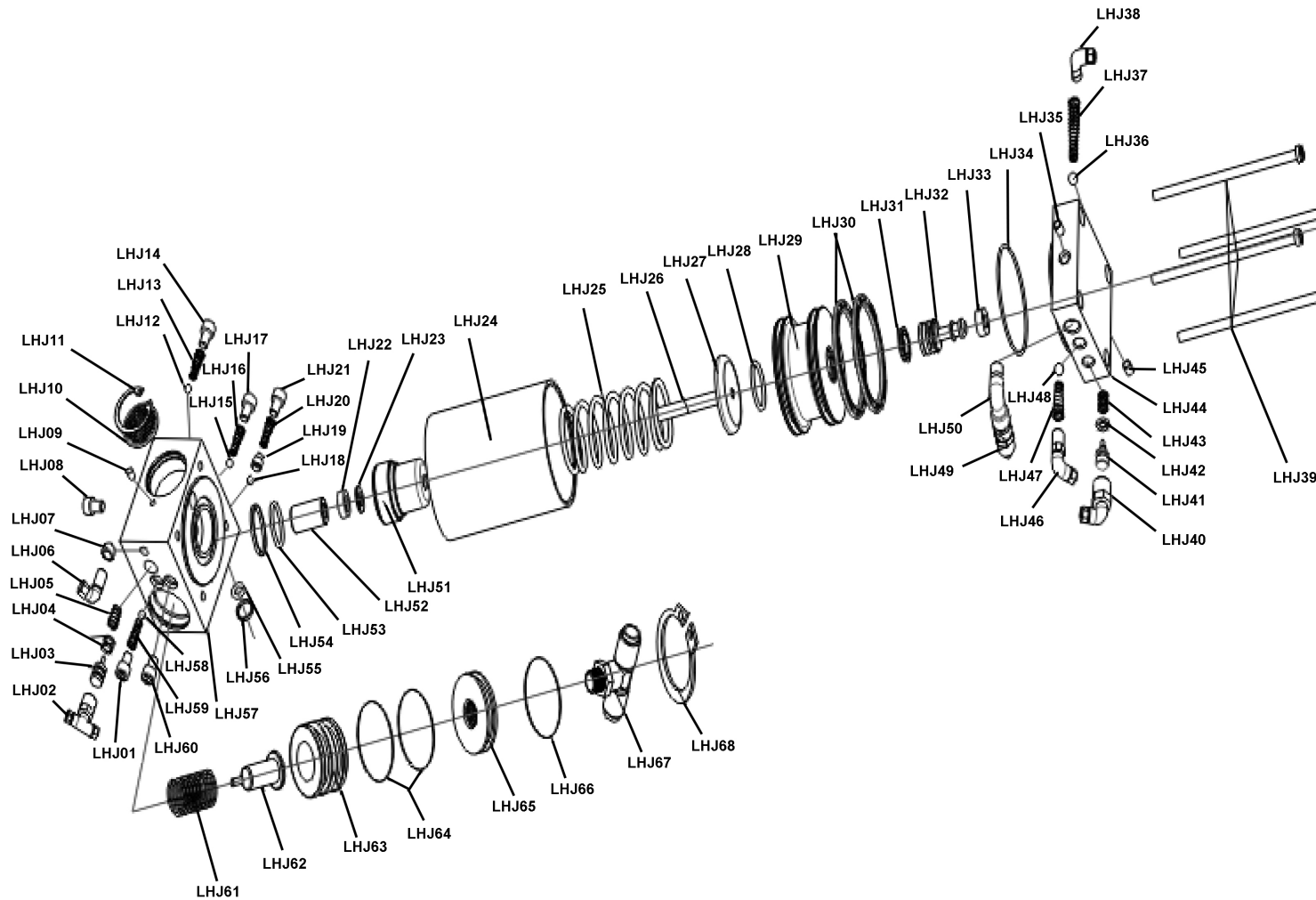
sales@sealey.co.uk



www.sealey.co.uk



Parts Information:
Air Operated Jack 15-30 Tonne Telescopic - Long Reach/Low Profile
Model No: YAJ15-30LE.V3



NOTE: It is our policy to continually improve products and as such we reserve the right to alter data, specifications and component parts without prior notice.

There may be alternative versions of this product, please contact us should you require this information.

IMPORTANT: No liability is accepted for incorrect use of product. Spare parts must be fitted by a competent person

WARRANTY: Guarantee is 12 months from purchase date, proof of which will be required for any claim.

Sealey Group, Kempson Way, Suffolk Business Park, Bury St Edmunds, Suffolk. IP32 7AR



01284 757500



sales@sealey.co.uk



www.sealey.co.uk



Parts Information:
**Air Operated Jack 15-30 Tonne Telescopic -
Long Reach/Low Profile
Model No: YAJ15-30LE.V3**

Item	Part No.	Description
LHJ01	FUSN-LHJ01	Csk Socket Machine Screw
LHJ02	FUSN-LHJ02	T-Piece Adaptor
LHJ03	FUSN-LHJ03	Piston
LHJ04	FUSN-LHJ04	O-Ring for Piston
LHJ05	FUSN-LHJ05	Spring
LHJ06	FUSN-LHJ06	Elbow
LHJ07	FUSN-LHJ07	Filter
LHJ08	FUSN-LHJ08	Csk Socket Machine Screw
LHJ09	FUSN-LHJ09	Grub Screw
LHJ10	FUSN-LHJ10	Silencer
LHJ11	FUSN-LHJ11	Clamp Ring
LHJ12	FUSN-LHJ12	Steel Ball
LHJ13	FUSN-LHJ13	Spring
LHJ14	FUSN-LHJ14	Csk Socket Machine Screw
LHJ15	FUSN-LHJ15	Steel Ball
LHJ16	FUSN-LHJ16	Spring
LHJ17	FUSN-LHJ17	Csk Socket Machine Screw
LHJ18	FUSN-LHJ18	Steel Ball
LHJ19	FUSN-LHJ19	Steel Ball Base
LHJ20	FUSN-LHJ20	Spring
LHJ21	FUSN-LHJ21	Csk Socket Machine Screw
LHJ22	FUSN-LHJ22	Seal Ring
LHJ23	FUSN-LHJ23	Locking Ring
LHJ24	FUSN-LHJ24	Air Cylinder
LHJ25	FUSN-LHJ25	Spring
LHJ26	FUSN-LHJ26	Plunger Rod
LHJ27	FUSN-LHJ27	Plunger Cover
LHJ28	FUSN-LHJ28	O-Ring
LHJ29	FUSN-LHJ29	Piston
LHJ30	FUSN-LHJ30	PacKing Seal
LHJ31	FUSN-LHJ31	Z8 Seal
LHJ32	FUSN-LHJ32	Piston
LHJ33	FUSN-LHJ33	Rubber Cap
LHJ34	FUSN-LHJ34	O-Ring

Item	Part No.	Description
LHJ35	FUSN-LHJ35	Grub Screw
LHJ36	FUSN-LHJ36	Steel Ball
LHJ37	FUSN-LHJ37	Spring for Elbow
LHJ38	FUSN-LHJ38	Elbow
LHJ39	FUSN-LHJ39	Machine Screw Pan Head Phillips
LHJ40	FUSN-LHJ40	Elbow
LHJ41	FUSN-LHJ41	Piston
LHJ42	FUSN-LHJ42	O-Ring for Piston
LHJ43	FUSN-LHJ43	Spring for Piston
LHJ44	FUSN-LHJ44	Air Inlet Valve
LHJ45	FUSN-LHJ45	Grub Screw
LHJ46	FUSN-LHJ46	Elbow
LHJ47	FUSN-LHJ47	Spring for Elbow
LHJ48	FUSN-LHJ48	Steel Ball
LHJ49	FUSN-LHJ49	Safety Valve
LHJ50	FUSN-LHJ50	Elbow
LHJ51	FUSN-LHJ51	Oil Pump
LHJ52	FUSN-LHJ52	Plunger Bushing
LHJ53	FUSN-LHJ53	O-Ring
LHJ54	FUSN-LHJ54	O-Ring
LHJ55	FUSN-LHJ55	O-Ring
LHJ56	FUSN-LHJ56	Locking Ring
LHJ57	FUSN-LHJ57	Check Valve
LHJ58	FUSN-LHJ58	Steel Ball
LHJ59	FUSN-LHJ59	Spring
LHJ60	FUSN-LHJ60	Csk Socket Machine Screw
LHJ61	FUSN-LHJ61	Spring for Oil Drain Piston
LHJ62	FUSN-LHJ62	Oil Drain Bolt
LHJ63	FUSN-LHJ63	Oil Drain Piston
LHJ64	FUSN-LHJ64	O-Ring for Oil Drain Piston
LHJ65	FUSN-LHJ65	End Cover
LHJ66	FUSN-LHJ66	O-Ring
LHJ67	FUSN-LHJ67	T-Piece Adaptor
LHJ68	FUSN-LHJ68	Clamp Ring

NOTE: It is our policy to continually improve products and as such we reserve the right to alter data, specifications and component parts without prior notice. There may be alternative versions of this product, please contact us should you require this information.

IMPORTANT: No liability is accepted for incorrect use of product. Spare parts must be fitted by a competent person

WARRANTY: Guarantee is 12 months from purchase date, proof of which will be required for any claim.

Sealey Group, Kempson Way, Suffolk Business Park, Bury St Edmunds, Suffolk. IP32 7AR



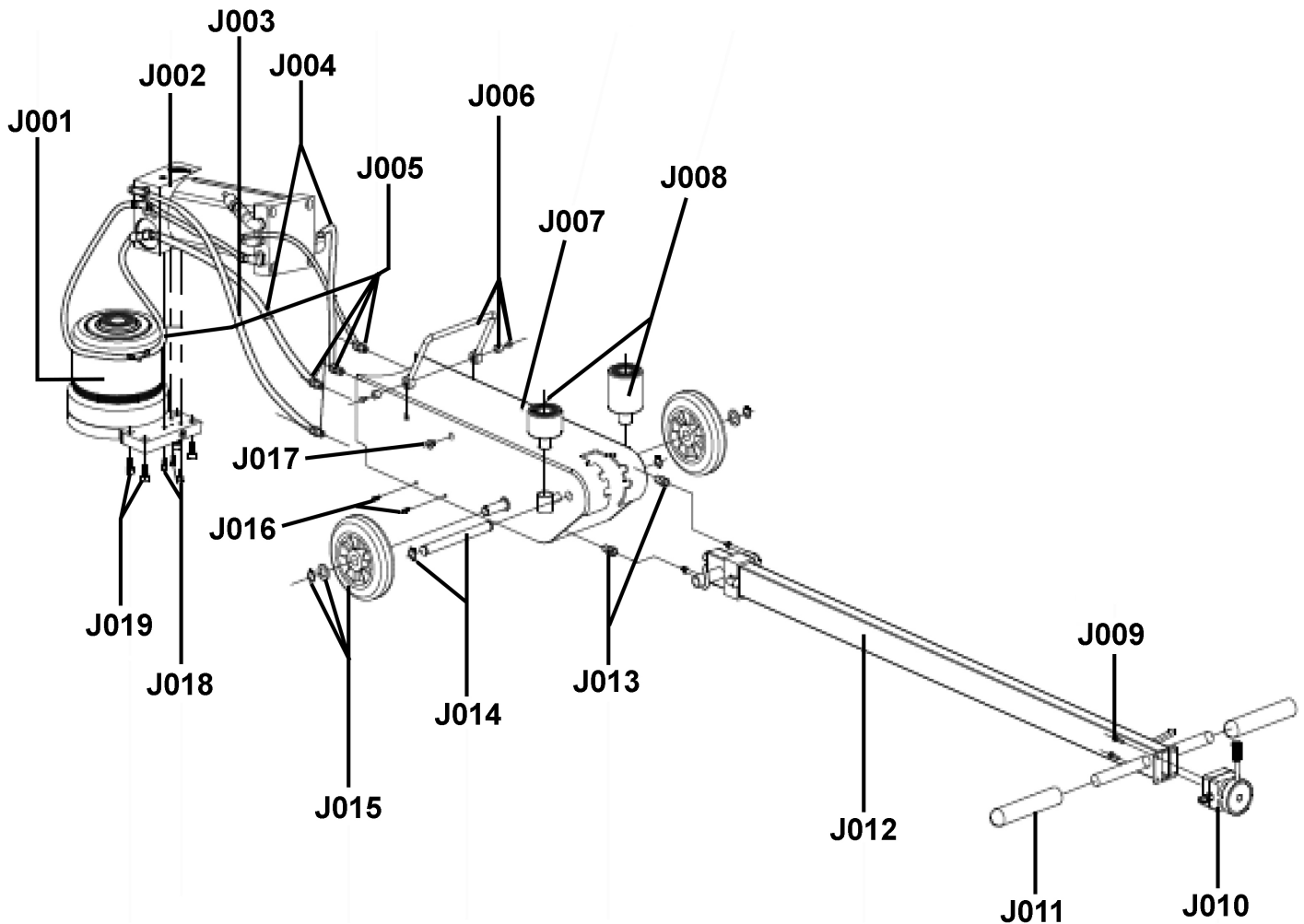
01284 757500



sales@sealey.co.uk



www.sealey.co.uk



Item	Part No.	Description
J001	YAJ15-30LE.85	Oil Cylinder Ass'y
J002	FUSN-J002	Pump Ass'y
J003	FUSN-J003	Oil Hose
J004	YAJ15-30LE.82	Air Pipe & Oil Hose
J005	YAJ15-30LE.81	Hose Adaptor
J006	YAJ15-30LE.80	Lifting Handle Set
J007	YAJ15-30LE.79	Tank Body
J008	YAJ20-40DC.99	Adaptors (45mm & 75mm)
J009	YAJ15-30LE.77	Screw
J010	YAJ15-30LE.76	Switch Set

Item	Part No.	Description
J011	YAJ15-30LE.86	Handle Grip
J012	YAJ20-40LR.87	Jack Handle, T-shape, 149mm wide
J013	YAJ15-30LE.88	Screw
J014	YAJ15-30LE.89	Wheel Axle
J015	YAJ15-30LE.90	Wheel (c/w Fixing)
J016	FUSN-J016	Button Head Socket Screw
J017	FUSN-J017	Button Head Socket Screw
J018	YAJ15-30LE.91	Socket Head Cap Screw
J019	YAJ15-30LE.92	Socket Head Cap Screw

NOTE: It is our policy to continually improve products and as such we reserve the right to alter data, specifications and component parts without prior notice. There may be alternative versions of this product, please contact us should you require this information.

IMPORTANT: No liability is accepted for incorrect use of product. Spare parts must be fitted by a competent person

WARRANTY: Guarantee is 12 months from purchase date, proof of which will be required for any claim.