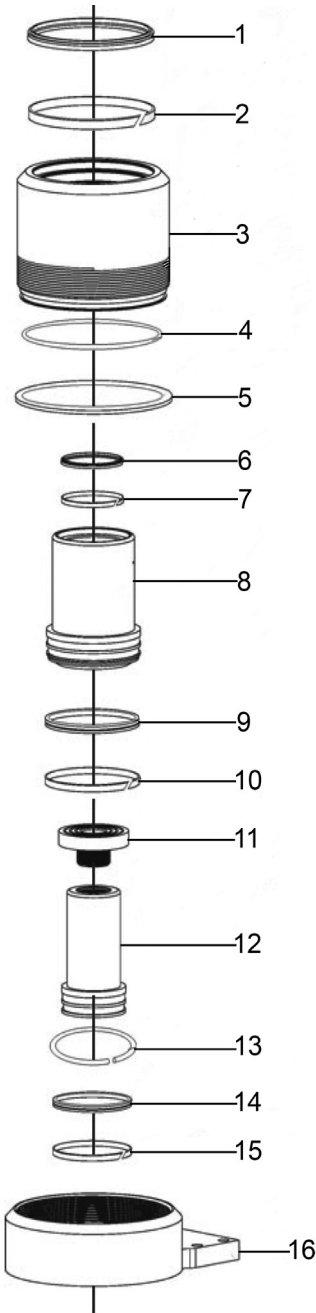




Parts Information:  
**Air Operated Jack 15-30tonne Telescopic -  
 Long Reach/Low Entry  
 Model No: YAJ15-30LE**



| Item | Part No.      | Description                     | Qty  |
|------|---------------|---------------------------------|------|
| 1    | YAJ15-30LE.01 | Dustproof Ring                  | 1.00 |
| 2    | YAJ15-30LE.02 | Guide Ring Ø 100mm              | 1.00 |
| 3    | YAJ15-30LE.03 | Outer Sleeve                    | 1.00 |
| 4    | YAJ15-30LE.04 | O-Ring (130.48 x 123.42 x 3.53) | 1.00 |
| 5    | YAJ15-30LE.05 | Locking Ring                    | 1.00 |
| 6    | YAJ15-30LE.06 | Dustproof Ring                  | 1.00 |
| 7    | YAJ15-30LE.07 | Guide Ring Ø 60mm               | 1.00 |
| 8    | YAJ15-30LE.08 | Inner Sleeve                    | 1.00 |

| Item | Part No.      | Description        | Qty  |
|------|---------------|--------------------|------|
| 9    | YAJ15-30LE.09 | Seal Ring          | 1.00 |
| 10   | YAJ15-30LE.10 | Guide Ring Ø 110mm | 1.00 |
| 11   | YAJ15-30LE.11 | Top Cover          | 1.00 |
| 12   | YAJ15-30LE.12 | Piston             | 1.00 |
| 13   | YAJ15-30LE.13 | Spring Washer      | 1.00 |
| 14   | YAJ15-30LE.14 | Seal Ring          | 1.00 |
| 15   | YAJ15-30LE.15 | Guide Ring Ø 75mm  | 1.00 |
| 16   | YAJ15-30LE.16 | Base               | 1.00 |

**NOTE:** It is our policy to continually improve products and as such we reserve the right to alter data, specifications and component parts without prior notice. There may be alternative versions of this product, please contact us should you require this information.

**IMPORTANT:** No liability is accepted for incorrect use of product. Spare parts must be fitted by a competent person

**WARRANTY:** Guarantee is 12 months from purchase date, proof of which will be required for any claim.

Sealey Group, Kempson Way, Suffolk Business Park, Bury St Edmunds, Suffolk. IP32 7AR



01284 757500



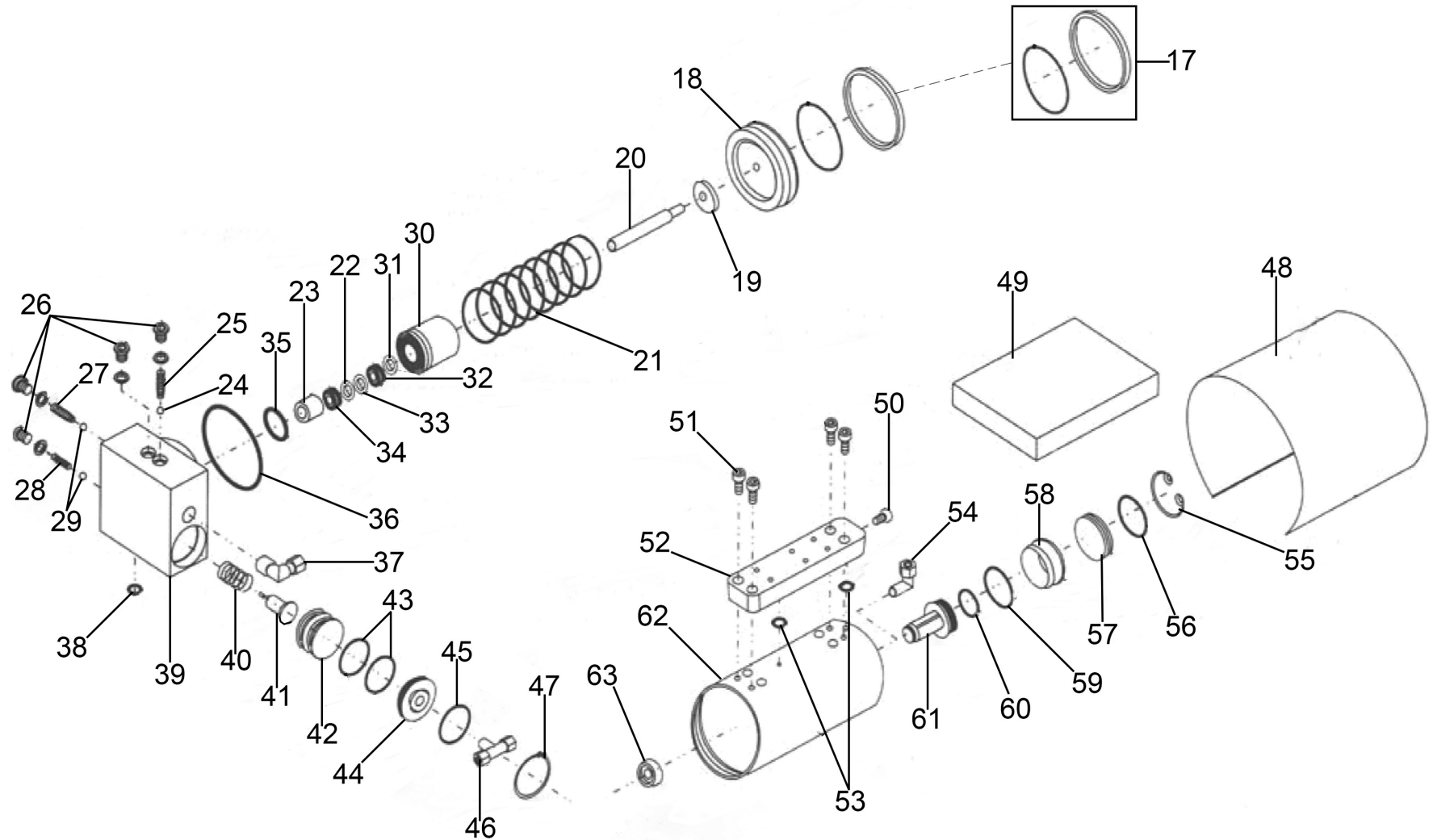
sales@sealey.co.uk



www.sealey.co.uk



Parts Information:  
**Air Operated Jack 15-30tonne Telescopic - Long Reach/Low Entry**  
**Model No: YAJ15-30LE**



**NOTE:** It is our policy to continually improve products and as such we reserve the right to alter data, specifications and component parts without prior notice.

There may be alternative versions of this product, please contact us should you require this information.

**IMPORTANT:** No liability is accepted for incorrect use of product. Spare parts must be fitted by a competent person

**WARRANTY:** Guarantee is 12 months from purchase date, proof of which will be required for any claim.

Sealey Group, Kempson Way, Suffolk Business Park, Bury St Edmunds, Suffolk. IP32 7AR

01284 757500 | sales@sealey.co.uk | www.sealey.co.uk



Parts Information:  
**Air Operated Jack 15-30tonne Telescopic -  
Long Reach/Low Entry  
Model No: YAJ15-30LE**

| Item | Part No.      | Description     | Qty  |
|------|---------------|-----------------|------|
| 17   | YAJ15-30LE.17 | Piston Assembly | 1.00 |
| 18   | YAJ15-30LE.18 | Piston          | 1.00 |
| 19   | YAJ15-30LE.19 | Spacer          | 1.00 |
| 20   | YAJ15-30LE.20 | Plunger Rod     | 1.00 |
| 21   | YAJ15-30LE.21 | Spring          | 1.00 |
| 22   | YAJ15-30LE.22 | Spacer          | 1.00 |
| 23   | YAJ15-30LE.23 | Guide Bushing   | 1.00 |
| 24   | YAJ15-30LE.24 | Steel Ball      | 1.00 |
| 25   | YAJ15-30LE.25 | Spring          | 1.00 |
| 26   | YAJ15-30LE.26 | Screw           | 4.00 |
| 27   | YAJ15-30LE.27 | Spring          | 1.00 |
| 28   | YAJ15-30LE.28 | Spring          | 1.00 |
| 29   | YAJ15-30LE.29 | Steel Ball      | 1.00 |
| 30   | YAJ15-30LE.30 | Oil Pump        | 1.00 |
| 31   | YAJ15-30LE.31 | Lock Ring       | 1.00 |
| 32   | YAJ15-30LE.32 | Seal            | 1.00 |
| 33   | YAJ15-30LE.33 | Spacer          | 1.00 |
| 34   | YAJ15-30LE.34 | Seal            | 1.00 |
| 35   | YAJ15-30LE.35 | O-Ring          | 1.00 |
| 36   | YAJ15-30LE.36 | O-Ring          | 1.00 |
| 37   | YAJ15-30LE.37 | Elbow           | 1.00 |
| 38   | YAJ15-30LE.38 | O-Ring          | 1.00 |
| 39   | YAJ15-30LE.39 | Pump Block      | 1.00 |
| 40   | YAJ15-30LE.40 | Spring          | 1.00 |

| Item | Part No.      | Description      | Qty  |
|------|---------------|------------------|------|
| 41   | YAJ15-30LE.41 | Oil Drain Bolt   | 1.00 |
| 42   | YAJ15-30LE.42 | Oil Drain Piston | 1.00 |
| 43   | YAJ15-30LE.43 | O-Ring           | 2.00 |
| 44   | YAJ15-30LE.44 | End Cover        | 1.00 |
| 45   | YAJ15-30LE.45 | O-Ring           | 1.00 |
| 46   | YAJ15-30LE.46 | T-Piece          | 1.00 |
| 47   | YAJ15-30LE.47 | Retaining Ring   | 1.00 |
| 48   | YAJ15-30LE.48 | Protecting Cover | 1.00 |
| 49   | YAJ15-30LE.49 | Foam Pad         | 1.00 |
| 50   | YAJ15-30LE.50 | Screw            | 1.00 |
| 51   | YAJ15-30LE.51 | Screw            | 4.00 |
| 52   | YAJ15-30LE.52 | Protecting Cover | 1.00 |
| 53   | YAJ15-30LE.53 | O-Ring           | 2.00 |
| 54   | YAJ15-30LE.54 | Elbow            | 1.00 |
| 55   | YAJ15-30LE.55 | Retaining Ring   | 1.00 |
| 56   | YAJ15-30LE.56 | O-Ring           | 1.00 |
| 57   | YAJ15-30LE.57 | End Cover        | 1.00 |
| 58   | YAJ15-30LE.58 | Inner Sleeve     | 1.00 |
| 59   | YAJ15-30LE.59 | O-Ring           | 1.00 |
| 60   | YAJ15-30LE.60 | O-Ring           | 1.00 |
| 61   | YAJ15-30LE.61 | Piston           | 1.00 |
| 62   | YAJ15-30LE.62 | Air Cylinder     | 1.00 |
| 63   | YAJ15-30LE.63 | Rubber Cap       | 1.00 |

**NOTE:** It is our policy to continually improve products and as such we reserve the right to alter data, specifications and component parts without prior notice. There may be alternative versions of this product, please contact us should you require this information.

**IMPORTANT:** No liability is accepted for incorrect use of product. Spare parts must be fitted by a competent person

**WARRANTY:** Guarantee is 12 months from purchase date, proof of which will be required for any claim.

**Sealey Group**, Kempson Way, Suffolk Business Park, Bury St Edmunds, Suffolk. IP32 7AR



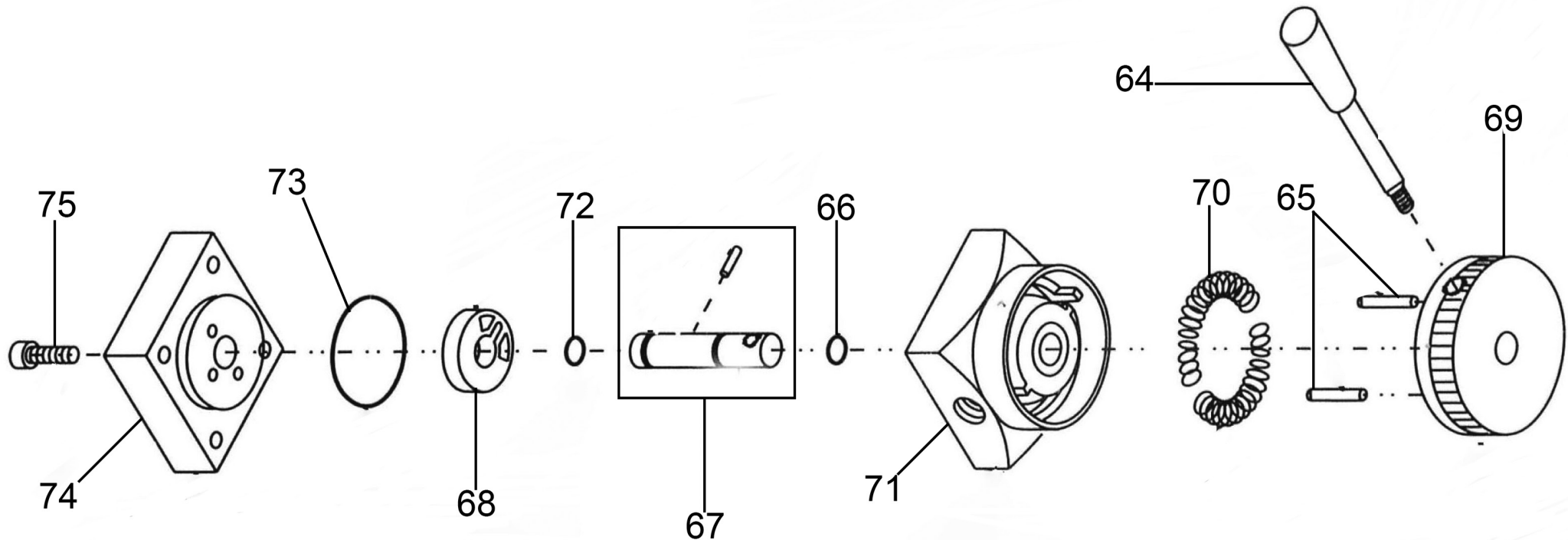
01284 757500



sales@sealey.co.uk



www.sealey.co.uk



| Item | Part No.      | Description       | Qty  |
|------|---------------|-------------------|------|
| 64   | YAJ15-30LE.64 | Handle            | 1.00 |
| 65   | YAJ15-30LE.65 | Straight Pin      | 2.00 |
| 66   | YAJ15-30LE.66 | O-Ring            | 1.00 |
| 67   | YAJ15-30LE.67 | Spindle (c/w Pin) | 1.00 |
| 68   | YAJ15-30LE.68 | Valve Base        | 1.00 |
| 69   | YAJ15-30LE.69 | Switch Cap        | 1.00 |

| Item | Part No.      | Description | Qty  |
|------|---------------|-------------|------|
| 70   | YAJ15-30LE.70 | Spring      | 2.00 |
| 71   | YAJ15-30LE.71 | Valve Body  | 1.00 |
| 72   | YAJ15-30LE.72 | O-Ring      | 1.00 |
| 73   | YAJ15-30LE.73 | O-Ring      | 1.00 |
| 74   | YAJ15-30LE.74 | Valve Base  | 1.00 |
| 75   | YAJ15-30LE.75 | Screw       | 1.00 |

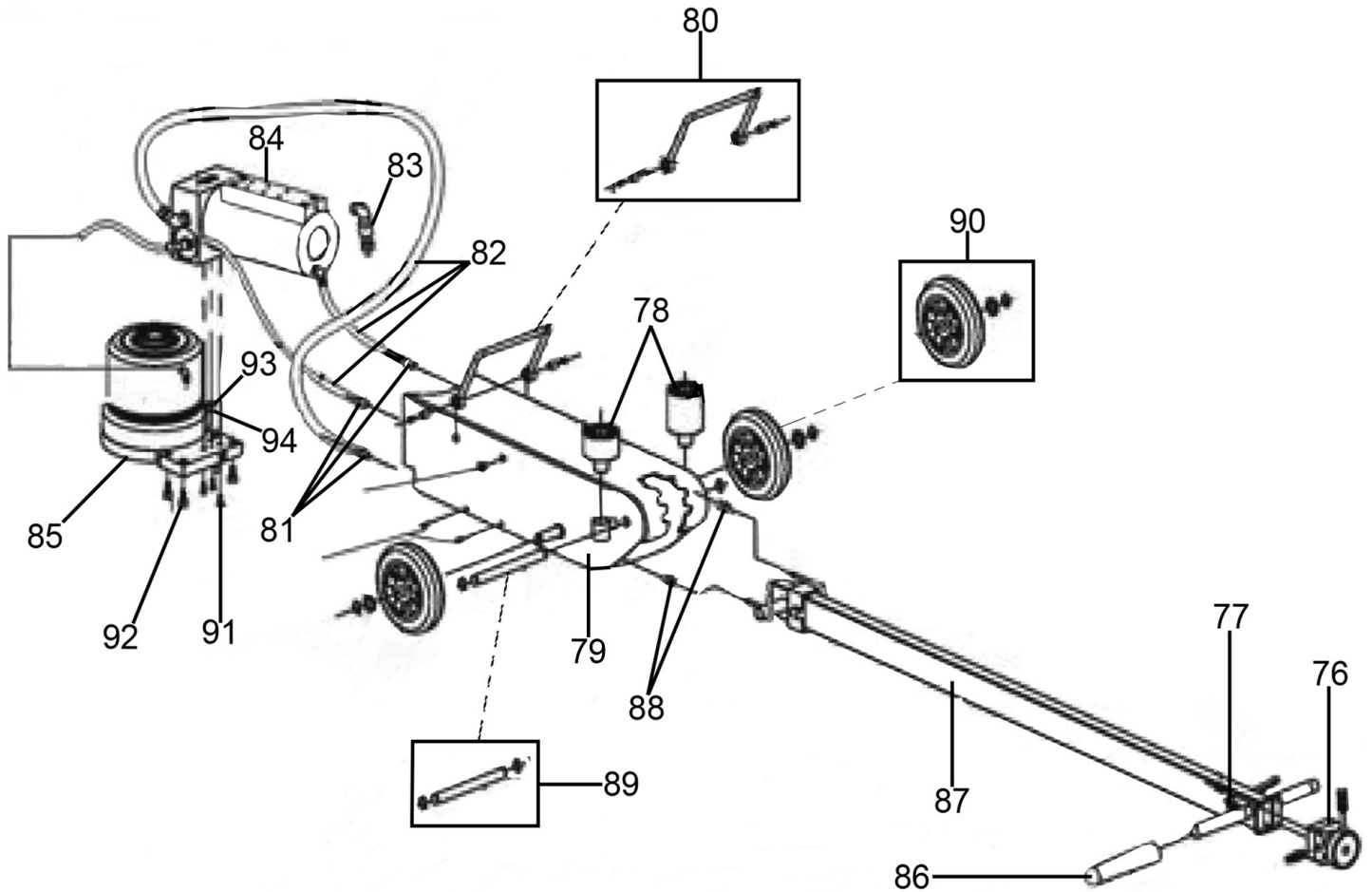
**NOTE:** It is our policy to continually improve products and as such we reserve the right to alter data, specifications and component parts without prior notice.

There may be alternative versions of this product, please contact us should you require this information.

**IMPORTANT:** No liability is accepted for incorrect use of product. Spare parts must be fitted by a competent person

**WARRANTY:** Guarantee is 12 months from purchase date, proof of which will be required for any claim.

Parts Information:  
**Air Operated Jack 15-30tonne Telescopic -  
 Long Reach/Low Entry  
 Model No: YAJ15-30LE**



| Item | Part No.      | Description               | Qty  |
|------|---------------|---------------------------|------|
| 76   | YAJ15-30LE.76 | Air Switch (Lever Action) | 1.00 |
| 77   | YAJ15-30LE.77 | Screw                     | 1.00 |
| 78   | YAJ20-40DC.99 | Adaptors (45mm & 75mm)    | 1.00 |
| 79   | YAJ15-30LE.79 | Tank Body                 | 1.00 |
| 80   | YAJ15-30LE.80 | Lifting Handle Set        | 1.00 |
| 81   | YAJ15-30LE.81 | Hose Adaptor              | 3.00 |
| 82   | YAJ15-30LE.82 | Air Pipe & Oil Hose       | 3.00 |
| 83   | YAJ15-30LE.83 | Elbow                     | 1.00 |
| 84   | YAJ15-30LE.84 | Pump Assembly             | 1.00 |
| 85   | YAJ15-30LE.85 | Oil Cylinder Assembly     | 1.00 |

| Item | Part No.      | Description          | Qty  |
|------|---------------|----------------------|------|
| 86   | YAJ15-30LE.86 | Handle Grip          | 2.00 |
| 87   | YAJ20-40LR.87 | Jack Handle, T-Shape | 1.00 |
| 88   | YAJ15-30LE.88 | Screw                | 2.00 |
| 89   | YAJ15-30LE.89 | Wheel Axle           | 1.00 |
| 90   | YAJ15-30LE.90 | Wheel (c/w Fixings)  | 2.00 |
| 91   | YAJ15-30LE.91 | Screw                | 3.00 |
| 92   | YAJ15-30LE.92 | Screw                | 4.00 |
| 93   | YAJ15-30LE.93 | O-Ring               | 1.00 |
| 94   | YAJ15-30LE.94 | Lock Ring            | 1.00 |

**NOTE:** It is our policy to continually improve products and as such we reserve the right to alter data, specifications and component parts without prior notice. There may be alternative versions of this product, please contact us should you require this information.

**IMPORTANT:** No liability is accepted for incorrect use of product. Spare parts must be fitted by a competent person

**WARRANTY:** Guarantee is 12 months from purchase date, proof of which will be required for any claim.