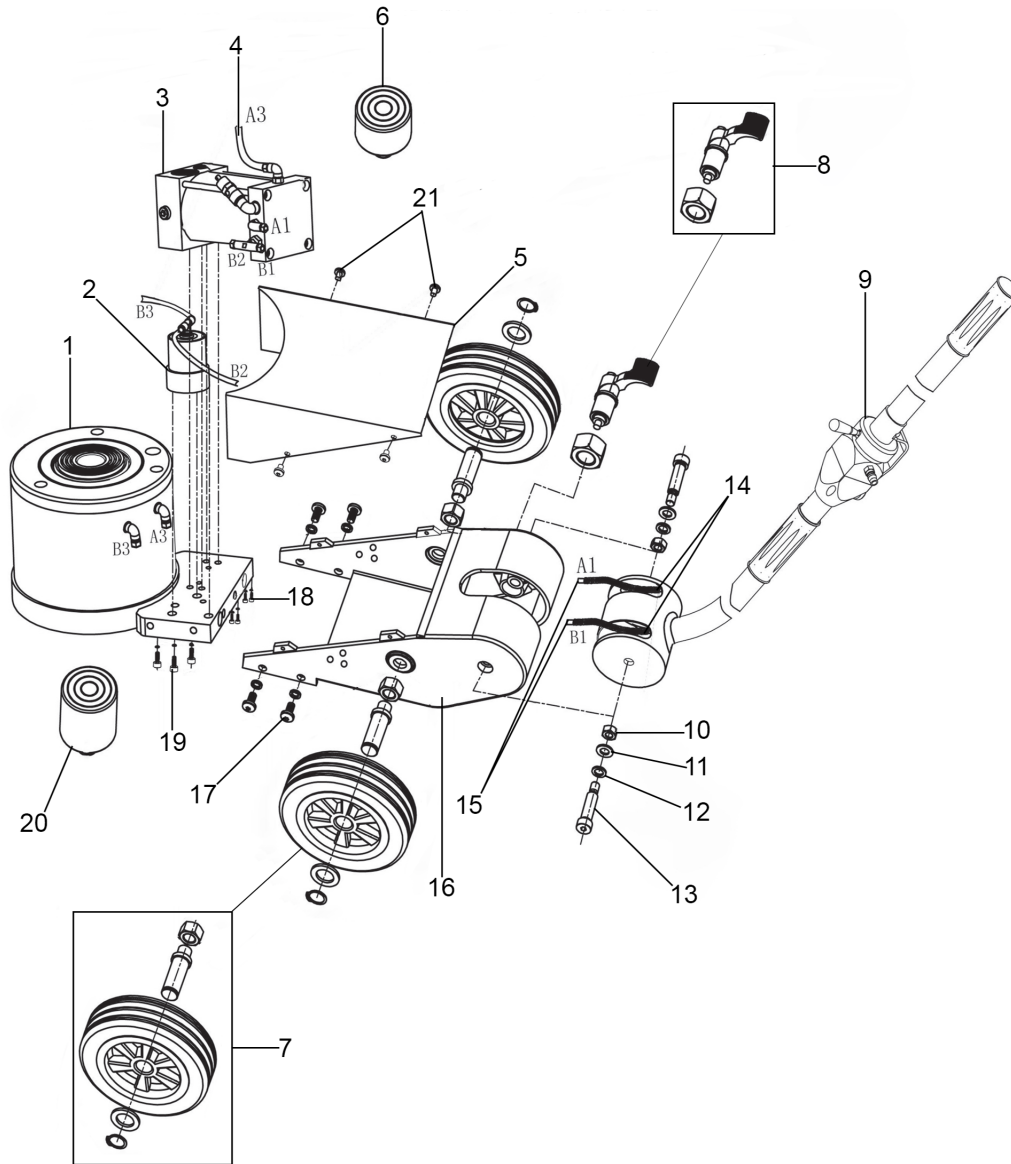




Parts Information:  
**Air Operated Folding Jack 15-30tonne -  
 Telescopic  
 Model No: YAJ15-30F**



Item	Part No.	Description	Qty
1	YAJ1530FSP001	Oil Cylinder Assembly	1
2	YAJ1530FSP002	Oil Drain Valve Assembly	1
3	YAJ1530FSP003	Pump Assembly	1
4	YAJ1530FSP004	Air Hose (4 x 6 x 1000)	1
5	YAJ1530FSP005	Tank Cover	1
6	YAJ1530FSP006	Adaptor 45mm	1
7	YAJ1530FSP007	Wheel, Fixed (160 x 44 x 21) (c/w Fixings)	2
8	YAJ1530FSP008	Adjustable Foot	1
9	YAJ1530FSP009	Handle Assembly	1
10	SN38.UNCB	Steel Nut 3/8" UNC Black	2

Item	Part No.	Description	Qty
11	YAJ1530FSP011	Spacer	2
12	SWM10.SB	Spring Washer M10 Black	2
13	YAJ1530FSP013	Screw	2
14	YAJ2040DC2121	Spring Ø8.5mm	2
15	YAJ1530FSP015	Air Hose (4 x 6 x 1000)	2
16	YAJ1530FSP016	Tank	1
17	BHSS816.SB	Button Head Socket Screw M8 x 16mm Black	4
18	SCB8130.SB	Socket Cap Bolt M8 x 130mm Black	4
19	SCB820.SB	Socket Cap Bolt M8 x 20mm Black	3
20	YAJ1530FSP020	Adaptor 75mm	1

**NOTE:** It is our policy to continually improve products and as such we reserve the right to alter data, specifications and component parts without prior notice. There may be alternative versions of this product, please contact us should you require this information.

**IMPORTANT:** No liability is accepted for incorrect use of product. Spare parts must be fitted by a competent person

**WARRANTY:** Guarantee is 12 months from purchase date, proof of which will be required for any claim.

Sealey Group, Kempson Way, Suffolk Business Park, Bury St Edmunds, Suffolk. IP32 7AR



01284 757500



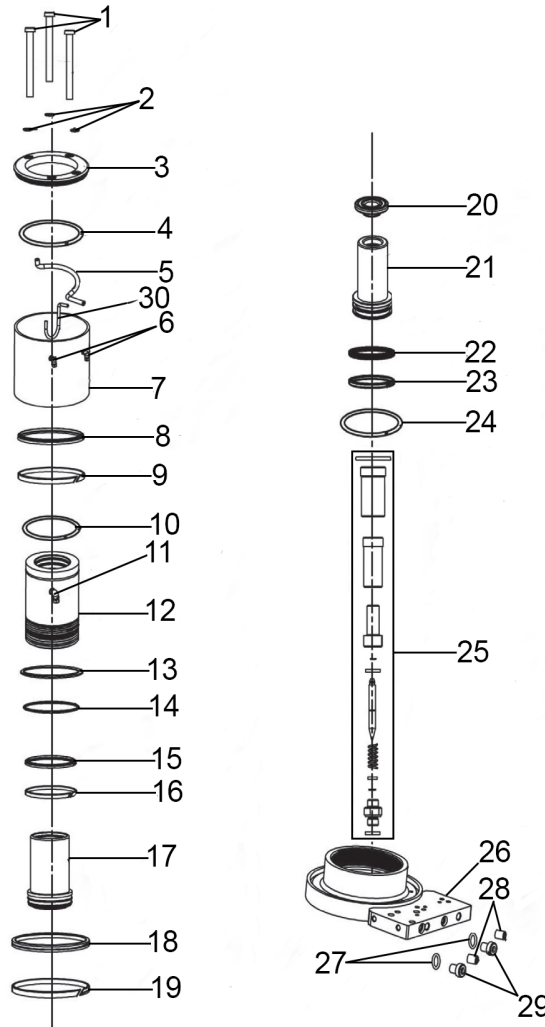
sales@sealey.co.uk



www.sealey.co.uk



Parts Information:  
**Air Operated Folding Jack 15-30tonne -  
 Telescopic  
 Model No: YAJ15-30F**



Item	Part No.	Description	Qty
1	YAJ1530F.SP01	Screw	3
2	YAJ1530F.SP02	Spacer	3
3	YAJ1530F.SP03	Oil Tank Cover	1
4	YAJ301.14	O-Ring (170.01 x 164.77 x 2.62)	1
5	YAJ1530F.SP05	Air Hose	1
6	YAJ1530F.SP06	Elbow	2
7	YAJ1530F.SP07	Oil Tank	1
8	YAJ1530F.SP08	Dustproof Ring	1
9	YAJ1530F.SP09	Guide Ring	1
10	YAJ301.06	O-Ring (112.86 x 107.62 x 2.62)	1
11	YAJ1530F.SP11	Elbow	1
12	YAJ1530F.SP12	Outer Sleeve	1
13	YAJ1530F.SP13	Locking Ring	1
14	YAJ1530F.SP14	O-Ring (101.90 x 94.84 x 3.53)	1
15	YAJ1530F.SP15	Dustproof Ring	1

Item	Part No.	Description	Qty
16	YAJ1530F.SP16	Guide Ring	1
17	YAJ1530F.SP17	Inner Sleeve	1
18	YAJ1530F.SP18	Seal	1
19	YAJ1530F.SP19	Guide Ring	1
20	YAJ1530F.SP20	Saddle	1
21	YAJ1530F.SP21	Piston	1
22	YAJ1530F.SP22	Seal	1
23	YAJ1530F.SP23	Guide Ring	1
24	YAJ1530F.SP24	O-Ring (176.36 x 171.12 x 2.62)	1
25	YAJ1530F.SP25	Height Limit System	1
26	YAJ1530F.SP26	Base	1
27	YAJ1530F.SP27	Rubber Seal Washer	2
28	YAJ1530F.SP28	Screw Nut	2
29	YAJ1530F.SP29	Screw Nut	2
30	YAJ1530F.SP30	Air Hose	1

**NOTE:** It is our policy to continually improve products and as such we reserve the right to alter data, specifications and component parts without prior notice. There may be alternative versions of this product, please contact us should you require this information.

**IMPORTANT:** No liability is accepted for incorrect use of product. Spare parts must be fitted by a competent person

**WARRANTY:** Guarantee is 12 months from purchase date, proof of which will be required for any claim.

Sealey Group, Kempson Way, Suffolk Business Park, Bury St Edmunds, Suffolk. IP32 7AR



01284 757500



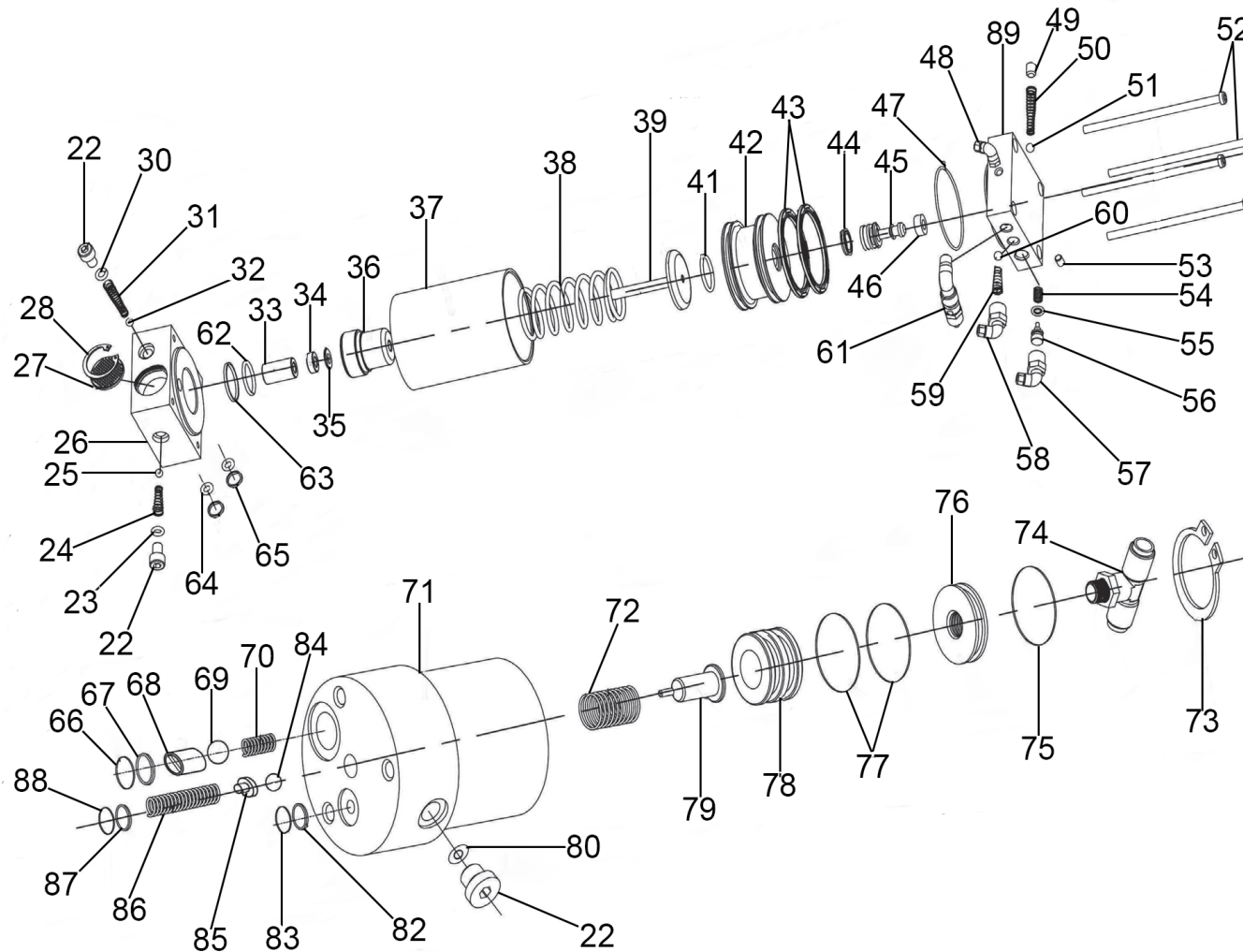
sales@sealey.co.uk



www.sealey.co.uk



Parts Information:  
**Air Operated Folding Jack 15-30tonne - Telescopic**  
**Model No: YAJ15-30F**



**NOTE:** It is our policy to continually improve products and as such we reserve the right to alter data, specifications and component parts without prior notice.

There may be alternative versions of this product, please contact us should you require this information.

**IMPORTANT:** No liability is accepted for incorrect use of product. Spare parts must be fitted by a competent person

**WARRANTY:** Guarantee is 12 months from purchase date, proof of which will be required for any claim.

Sealey Group, Kempson Way, Suffolk Business Park, Bury St Edmunds, Suffolk. IP32 7AR



01284 757500



sales@sealey.co.uk



www.sealey.co.uk



Parts Information:  
**Air Operated Folding Jack 15-30tonne -  
 Telescopic  
 Model No: YAJ15-30F**

Item	Part No.	Description	Qty
22	YAJ1530F.ME22	Screw Nut	3
23	YAJ1530F.ME23	Rubber Seal Washer	1
24	YAJ1530F.ME24	Spring	1
25	YAJ1530F.ME25	Steel Ball	1
26	YAJ1530F.ME26	Check Valve	1
27	YAJ1530F.ME27	Silencer	1
28	YAJ1530F.ME28	Retaining Ring	1
30	YAJ1530F.ME30	Rubber Seal Washer	1
31	YAJ1530F.ME31	Spring	1
32	YAJ1530F.ME32	Steel Ball	1
33	YAJ1530F.ME33	Guide Bushing	1
34	YAJ1530F.ME34	Spacer	1
35	YAJ1530F.ME35	Seal	1
36	YAJ1530F.ME36	Plunger Bushing	1
37	YAJ1530F.ME37	Air Cylinder	1
38	YAJ1530F.ME38	Spring Ø41mm	1
39	YAJ1530F.ME39	Plunger Rod Assembly (c/w Cover)	1
41	YAJ1530F.ME41	O-Ring	1
42	YAJ1530F.ME42	Piston	1
43	YAJ1530F.ME43	Sealing	2
44	YAJ1530F.ME44	Sealing	1
45	YAJ1530F.ME45	Piston	1
46	YAJ1530F.ME46	Rubber Cap	1
47	YAJ1530F.ME47	O-Ring	1
48	YAJ1530F.ME48	Elbow	1
49	YAJ1530F.ME49	Screw Nut	1
50	YAJ1530F.ME50	Spring Ø6.8mm	1
51	YAJ1530F.ME51	Rubber Ball	1
52	YAJ1530F.ME52	Screw	4
53	YAJ1530F.ME53	Screw Nut	1
54	YAJ1530F.ME54	Spring Ø7.7mm	1
55	YAJ1530F.ME55	O-Ring	1
56	YAJ1530F.ME56	Piston	1

Item	Part No.	Description	Qty
57	YAJ1530F.ME57	T-Piece	1
58	YAJ1530F.ME58	Elbow	1
59	YAJ1530F.ME59	Spring, Conical	1
60	YAJ1530F.ME60	Rubber Ball	1
61	YAJ1530F.ME61	Elbow	1
62	YAJ1530F.ME62	O-Ring	1
63	YAJ1530F.ME63	Locking Ring	1
64	YAJ1530F.ME64	O-Ring	2
65	YAJ1530F.ME65	Locking Ring	2
66	YAJ1530F.ME66	Locking Ring	1
67	YAJ1530F.ME67	Locking Ring	1
68	YAJ1530F.ME68	Steel Ball Seat	1
69	YAJ1530F.ME69	Steel Ball	1
70	YAJ1530F.ME70	Spring Ø6.2mm	1
71	YAJ1530F.ME71	Oil Drain Valve	1
72	YAJ1530F.ME72	Spring Ø16.4mm	1
73	YAJ1530F.ME73	Retaining Ring	1
74	YAJ1530F.ME74	T-Piece Connector	1
75	2200HL.45	O-Ring (55.71 x 50.47 x 2.62)	1
76	YAJ1530F.ME76	End Cover	1
77	YAJ1530F.ME77	O-Ring	2
78	YAJ1530F.ME78	Oil Drain Piston	1
79	YAJ1530F.ME79	Oil Drain Bolt	1
80	YAJ1530F.ME80	Rubber Seal Washer	1
82	YAJ1530F.ME82	Locking Ring	1
83	YAJ1530F.ME83	O-Ring	1
84	YAJ1530F.ME84	Steel Ball	1
85	YAJ1530F.ME85	Spring Base	1
86	YAJ1530F.ME86	Spring Ø6.8mm	1
87	YAJ1530F.ME87	Locking Ring	1
88	YAJ1530F.ME88	O-Ring	1
89	YAJ1530F.ME89	Air Inlet Base	1
--	YAJ1530F.ME40	Plunger Cover (Not Shown)	1

**NOTE:** It is our policy to continually improve products and as such we reserve the right to alter data, specifications and component parts without prior notice. There may be alternative versions of this product, please contact us should you require this information.

**IMPORTANT:** No liability is accepted for incorrect use of product. Spare parts must be fitted by a competent person

**WARRANTY:** Guarantee is 12 months from purchase date, proof of which will be required for any claim.

**Sealey Group**, Kempson Way, Suffolk Business Park, Bury St Edmunds, Suffolk. IP32 7AR



01284 757500

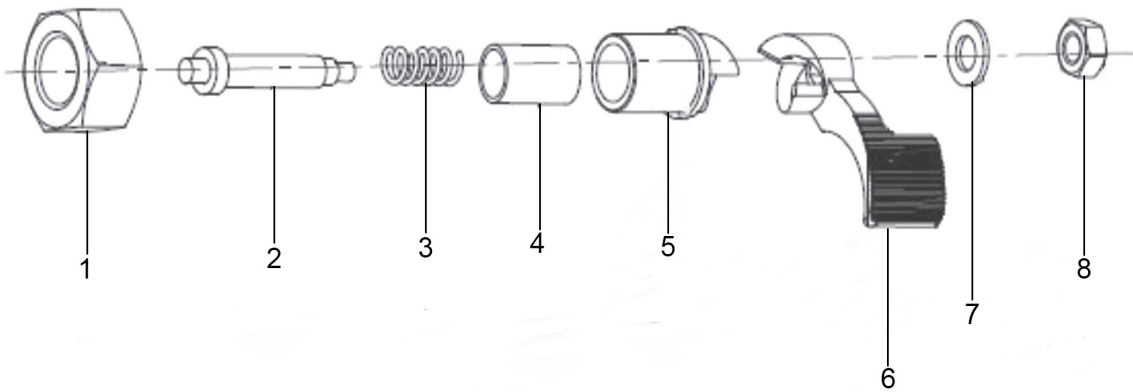


sales@sealey.co.uk



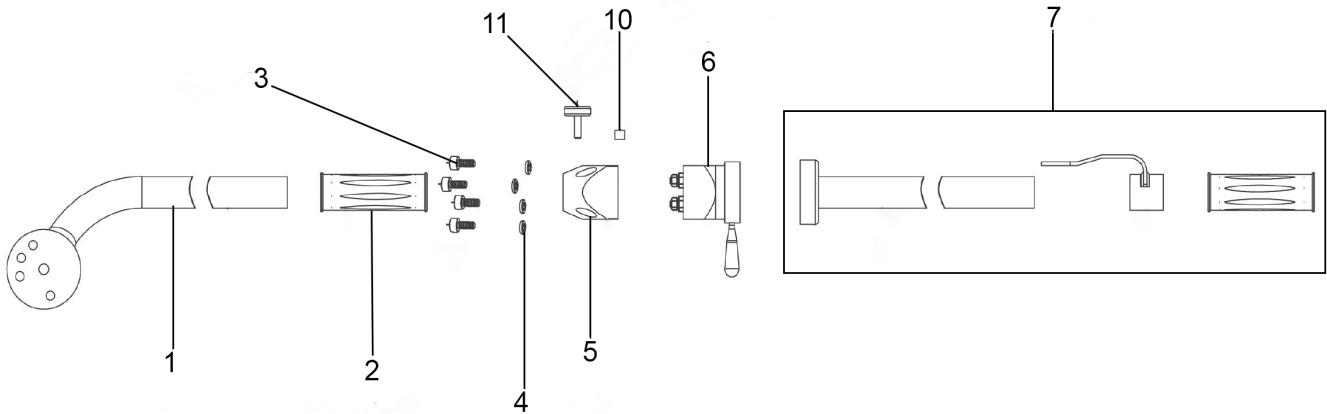
www.sealey.co.uk

Parts Information:  
**Air Operated Folding Jack 15-30tonne -  
 Telescopic  
 Model No: YAJ15-30F**



Item	Part No.	Description	Qty
1	YAJ1530F.BS01	Half Nut (Fine Thread)	1
2	YAJ1530F.BS02	Positon Pin / Positon pin	1
3	YAJ1530F.BS03	Spring Ø14.4mm	1
4	YAJ1530F.BS04	Guide, Inner	1

Item	Part No.	Description	Qty
5	YAJ1530F.BS05	Guide, Outer	1
6	YAJ1530F.BS06	Lever Assembly	1
7	YAJ1530F.BS07	Spacer	1
8	NLN6.S	Nyloc Nut M6	1



Item	Part No.	Description	Qty
1	YAJ1530F.LG01	Handle, Lower	1
2	YAJ1530F.LG02	Grip	1
3	YAJ1530F.LG03	Screw	4
4	YAJ1530F.LG04	Spacer	4
5	YAJ1530F.LG05	Base, Air Switch	1
6	YAJ1530F.LG06	Air Switch, Lever Action	1

Item	Part No.	Description	Qty
7	YAJ1530F.LG07	Handle Assembly, Upper	1
10	YAJ1530F.LG10	Screw	1
11	YAJ1530F.LG11	Screw	1
--	YAJ20-40.78	Handle (Not Shown)	1
--	YAJ1530F.LG08	Fixed Sets (Not Shown)	1
--	YAJ1530F.LG09	Grip (Not Shown)	1

**NOTE:** It is our policy to continually improve products and as such we reserve the right to alter data, specifications and component parts without prior notice. There may be alternative versions of this product, please contact us should you require this information.

**IMPORTANT:** No liability is accepted for incorrect use of product. Spare parts must be fitted by a competent person

**WARRANTY:** Guarantee is 12 months from purchase date, proof of which will be required for any claim.