

Item	Part No.	Description
ME01	YAJ1530V2.01	Cover
ME02	YAJ1530V2.02	O-ring, (Ex: 14.38 In: 10.82 Cs: 1.78)
ME03	YAJ1530V2.03	Oil tank
ME05	YAJ1530V2.04	Dustproof Ring LBH-80
ME06	YAJ1530V2.05	Guide ring
ME07	PCDM3600V2P07	O-ring, (Ex: 105.08 In: 98.02 Cs: 3.53)
ME08	YAJ1530V2.07	Outer sleeve
ME09	YAJ301.06	O-ring, (Ex: 112.86 In: 107.62 Cs: 2.62)
ME10	YAJ1530V2.09	Locking ring
ME11	YAJ1530V2.10	Dustproof ring
ME12	YAJ1530V2.11	Guide ring
ME13	YAJ1530V2.12	Inner sleeve
ME14	YAJ1530V2.13	Seal ring
ME15	YAJ1530V2.14	Guide ring
ME16	YAJ1530V2.15	Top cover
ME17	YAJ1530V2.16	Piston

Item	Part No.	Description
ME18	YAJ1530V2.17	Seal ring
ME19	YAJ1530V2.18	Guide ring
ME20	YAJ301.14	O-ring, (Ex: 170.01 In: 164.77 Cs: 2.62)
ME21	YAJ1530V2.20	Base
A01	YAJ2040DC221	Air hose 4mm x 6mm x 1060mm
A02	YAJ2040DC222	Air hose
A03	YAJ1530DC223	Elbow
A04	YAJ1530V2.24	Filter net
A05	YAJ2040DC225	Rubber seal washer
A06	YAJ2040DC291	Screw nut
A07	YAJ1530V2.27	Screw
A08	YAJ2040DC228	O-ring
A09	YAJ2040DC229	Rubber seal washer
A10	YAJ1530V2.30	Spacer
A11	YAJ1530V2.31	Screw

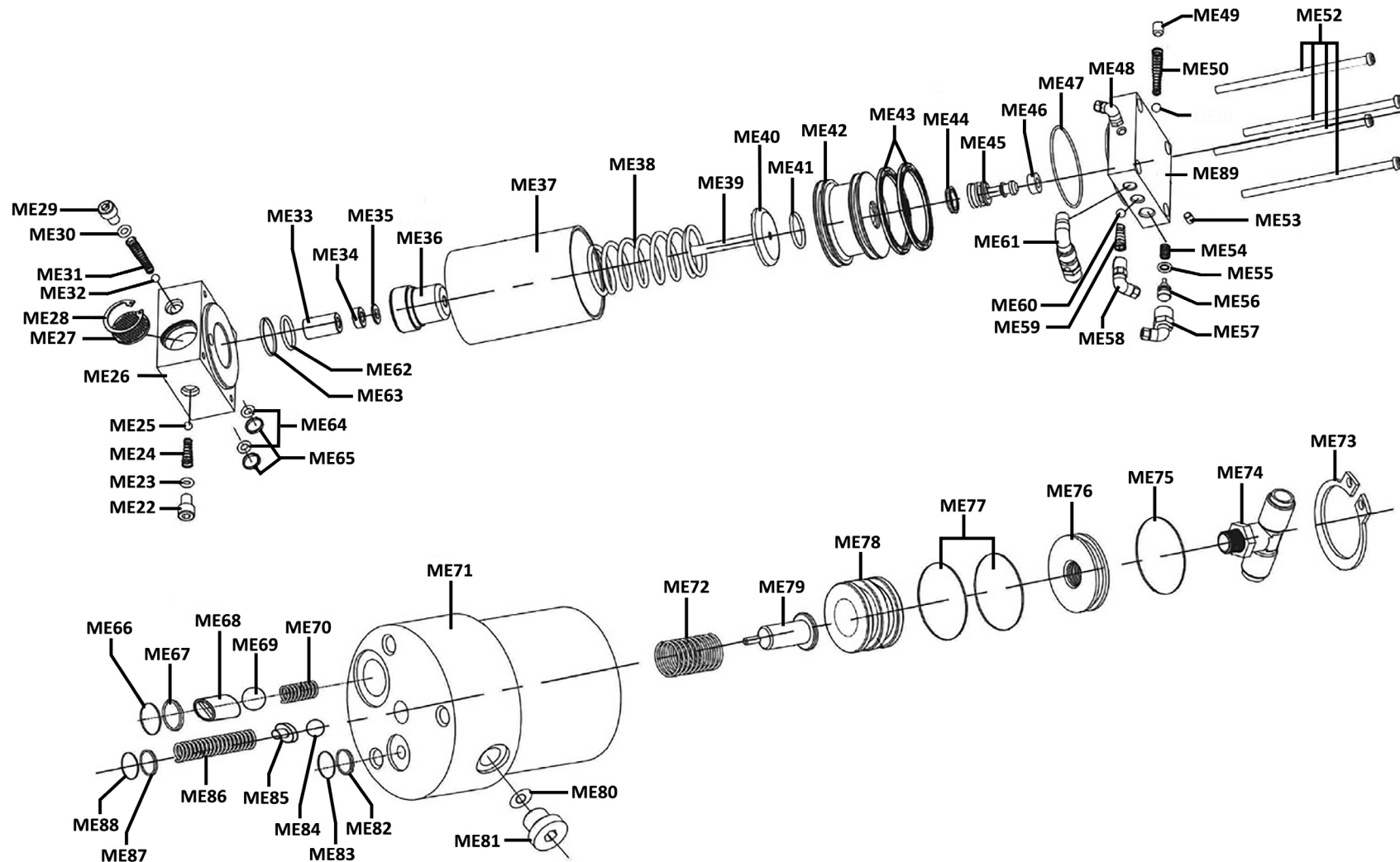
NOTE: It is our policy to continually improve products and as such we reserve the right to alter data, specifications and component parts without prior notice. There may be alternative versions of this product, please contact us should you require this information.

IMPORTANT: No liability is accepted for incorrect use of product. Spare parts must be fitted by a competent person

WARRANTY: Guarantee is 12 months from purchase date, proof of which will be required for any claim.



Parts Information:
Air Operated Jack 15-30 Tonne Telescopic
Model No: YAJ15-30.V4



NOTE: It is our policy to continually improve products and as such we reserve the right to alter data, specifications and component parts without prior notice.

There may be alternative versions of this product, please contact us should you require this information.

IMPORTANT: No liability is accepted for incorrect use of product. Spare parts must be fitted by a competent person

WARRANTY: Guarantee is 12 months from purchase date, proof of which will be required for any claim.

Sealey Group, Kempson Way, Suffolk Business Park, Bury St Edmunds, Suffolk. IP32 7AR



01284 757500



sales@sealey.co.uk



www.sealey.co.uk



Parts Information:
Air Operated Jack 15-30 Tonne Telescopic
Model No: YAJ15-30.V4

Item	Part No.	Description
ME22	YAJ1530F.ME22	Screw nut
ME23	YAJ1530F.ME23	Rubber seal washer
ME24	YAJ1530F.ME24	Spring
ME25	YAJ1530F.ME25	Steel ball
ME26	YAJ1530F.ME26	Check valve
ME27	YAJ1530F.ME27	Silencer
ME28	YAJ1530F.ME28	Retaining ring
ME29	YAJ1530F.ME22	Screw nut
ME30	YAJ1530F.ME30	Rubber seal washer
ME31	YAJ1530F.ME31	Spring
ME32	YAJ1530F.ME32	Steel ball
ME33	YAJ1530F.ME33	Guide bushing
ME34	YAJ1530F.ME34	Spacer
ME35	YAJ1530F.ME35	Seal
ME36	YAJ1530F.ME36	Plunger bushing
ME37	YAJ1530F.ME37	Air cylinder
ME38	YAJ1530F.ME38	Spring Dia 41mm
ME39	YAJ1530F.ME39	Plunger rod ass'y (c/w plunger cover me.40)
ME40	YAJ1530F.ME40	Plunger cover
ME41	YAJ1530F.ME41	O-ring
ME42	YAJ1530F.ME42	Piston
ME43	YAJ1530F.ME43	Sealing (x2)
ME44	YAJ1530F.ME44	Sealing (oe)
ME45	YAJ1530F.ME45	Piston
ME46	YAJ1530F.ME46	Rubber cap
ME47	YAJ1530F.ME47	O-ring
ME48	YAJ1530F.ME48	Elbow
ME49	YAJ1530F.ME49	Screw nut
ME50	YAJ1530F.ME50	Spring Dia 6.8mm
ME51	YAJ1530F.ME51	Rubber ball
ME52	YAJ1530F.ME52	Screw
ME53	YAJ1530F.ME53	Screw nut
ME54	YAJ1530F.ME54	Spring Dia 7.7mm
ME55	YAJ1530F.ME55	O-ring

Item	Part No.	Description
ME56	YAJ1530F.ME56	Piston
ME57	YAJ1530F.ME57	T-piece
ME58	YAJ1530F.ME58	Elbow
ME59	YAJ1530F.ME59	Spring Conical
ME60	YAJ1530F.ME60	Rubber ball
ME61	YAJ1530F.ME61	Elbow
ME62	YAJ1530F.ME62	O-ring
ME63	YAJ1530F.ME63	Locking ring
ME64	YAJ1530F.ME64	O-ring
ME65	YAJ1530F.ME65	Locking ring
ME66	YAJ1530F.ME66	Locking ring
ME67	YAJ1530F.ME67	Locking ring
ME68	YAJ1530F.ME68	Steel ball seat
ME69	YAJ1530F.ME69	Steel ball
ME70	YAJ1530F.ME70	Spring Dia 6.2mm
ME71	YAJ1530F.ME71	Oil drain valve
ME72	YAJ1530F.ME72	Spring Dia 16.4mm
ME73	YAJ1530F.ME73	Retaining ring
ME74	YAJ1530F.ME74	T-piece connector
ME75	2200HL.45	O-ring, (Ex: 55.71 In: 50.47 Cs: 2.62)
ME76	YAJ1530F.ME76	End cover
ME77	YAJ1530F.ME77	O-ring
ME78	YAJ1530F.ME78	Oil drain piston
ME79	YAJ1530F.ME79	Oil drain bolt
ME80	YAJ1530F.ME80	Rubber seal washer
ME81	YAJ1530F.ME22	Screw nut
ME82	YAJ1530F.ME82	Locking ring
ME83	YAJ1530F.ME83	O-ring
ME84	YAJ1530F.ME84	Steel ball
ME85	YAJ1530F.ME85	Spring base
ME86	YAJ1530F.ME86	Spring Dia 6.8mm
ME87	YAJ1530F.ME87	Locking ring
ME88	YAJ1530F.ME88	O-ring
ME89	YAJ1530F.ME89	Air inlet base

NOTE: It is our policy to continually improve products and as such we reserve the right to alter data, specifications and component parts without prior notice. There may be alternative versions of this product, please contact us should you require this information.

IMPORTANT: No liability is accepted for incorrect use of product. Spare parts must be fitted by a competent person

WARRANTY: Guarantee is 12 months from purchase date, proof of which will be required for any claim.

Sealey Group, Kempson Way, Suffolk Business Park, Bury St Edmunds, Suffolk. IP32 7AR



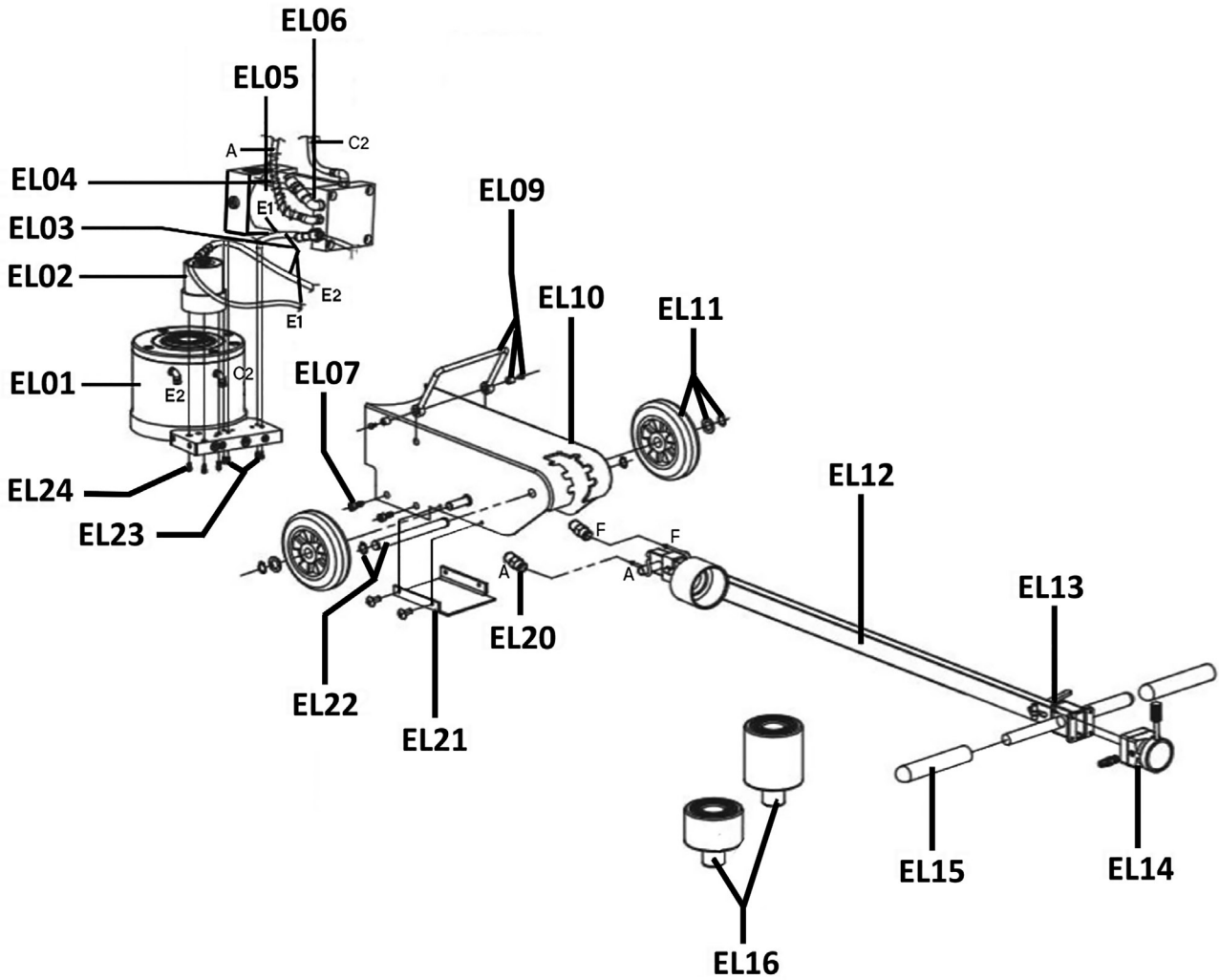
01284 757500



sales@sealey.co.uk



www.sealey.co.uk



Item	Part No.	Description
EL01	YAJ1530V2.100	Oil cylinder assembly
EL02	YAJ1530V2.101	Oil drain valve assembly
EL03	YAJ2040V2102	Hose
EL04	YAJ2040DC2121	Spring Dia 8.5mm
EL05	YAJ1530V2.104	Pump assembly
EL06	YAJ2040DC2106	Connector
EL07	YAJ1530V2.106	Screw
EL08	YAJ2040DC2122	Connector (y-shape)
EL09	YAJ1530V2.108	Handle set
EL10	YAJ1530V2.109	Tank
EL11	YAJ2040DC2102	Wheel, fixed (D:160 W:45 B:20)
EL12	YAJ1530V2.111	Handle
EL13	YAJ1530V2.112	Screw

Item	Part No.	Description
EL14	YAJ1530V2.113	Air switch (up/down) lever action
EL15	YAJ1530V2.114	Handle grip
EL16	YAJ20-40DC.99	Adaptors (45mm & 75mm)
EL17	YAJ1530V2.116	Adaptor tray
EL18	BHSS512.SB	Button Head Socket Screw M5x12 Black
EL19	YAJ1530V2.118	Connector, 90 degree
EL20	YAJ2040V2119	Connector (Pair)
EL21	YAJ1530V2.120	Metal plate
EL22	YAJ1530V2.121	Wheel axle: Solid, c/w circlips (L:60mm D:20mm)
EL23	YAJ1530V2.122	Screws
EL24	YAJ1530V2.123	Screws

NOTE: It is our policy to continually improve products and as such we reserve the right to alter data, specifications and component parts without prior notice. There may be alternative versions of this product, please contact us should you require this information.

IMPORTANT: No liability is accepted for incorrect use of product. Spare parts must be fitted by a competent person

WARRANTY: Guarantee is 12 months from purchase date, proof of which will be required for any claim.