

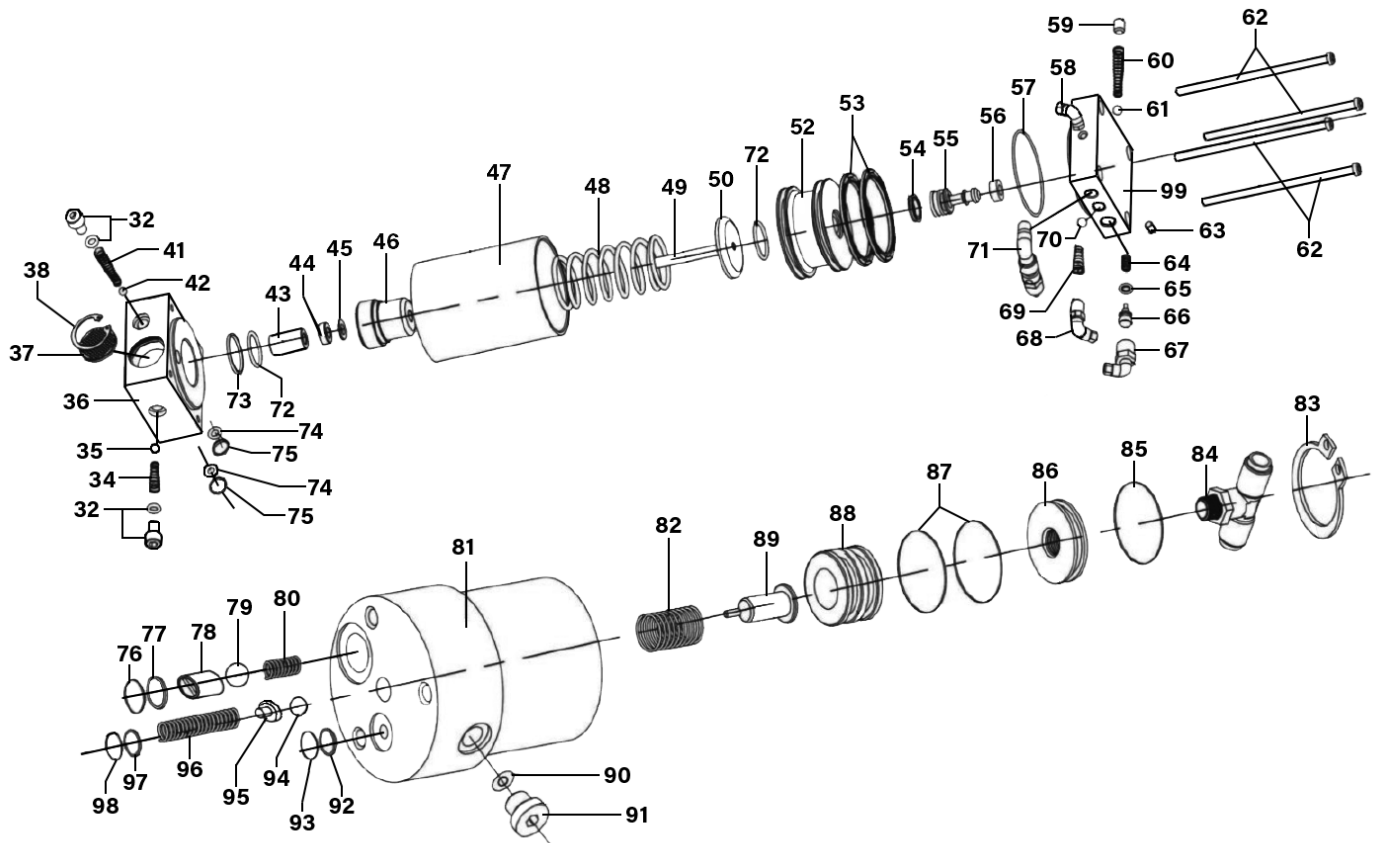
Item	Part No.	Description
1	YAJ1530V2.01	Cover
2	YAJ1530V2.02	O-Ring, (Ex: 14.38 In: 10.82 Cs: 1.78)
3	YAJ1530V2.03	Oil Tank
4	YAJ1530V2.04	Dustproof Ring LBH-80
5	YAJ1530V2.05	Guide Ring
6	PCDM3600V2P07	O-Ring, (Ex: 105.08 In: 98.02 Cs: 3.53)
7	YAJ1530V2.07	Outer Sleeve
8	YAJ301.06	O-Ring, (Ex: 112.86 In: 107.62 Cs: 2.62)
9	YAJ1530V2.09	Locking Ring
10	YAJ1530V2.10	Dustproof Ring
11	YAJ1530V2.11	Guide Ring
12	YAJ1530V2.12	Inner Sleeve
13	YAJ1530V2.13	Seal Ring
14	YAJ1530V2.14	Guide Ring
15	YAJ1530V2.15	Top Cover
16	YAJ1530V2.16	Piston

Item	Part No.	Description
17	YAJ1530V2.17	Seal Ring
18	YAJ1530V2.18	Guide Ring
19	YAJ301.14	O-Ring, (Ex: 170.01 In: 164.77 Cs: 2.62)
20	YAJ1530V2.20	Base
21	YAJ2040DC221	Air Hose 4mm x 6mm x 1060mm
22	YAJ2040DC222	Air Hose
23	YAJ1530DC223	Elbow
24	YAJ1530V2.24	Filter Net
25	YAJ2040DC225	Rubber Seal Washer
26	YAJ2040DC291	Screw Nut
27	YAJ1530V2.27	Screw
28	YAJ2040DC228	Rubber Seal Washer
29	YAJ2040DC229	Screw Nut
30	YAJ1530V2.30	Spacer
31	YAJ1530V2.31	Screw

NOTE: It is our policy to continually improve products and as such we reserve the right to alter data, specifications and component parts without prior notice. There may be alternative versions of this product, please contact us should you require this information.

IMPORTANT: No liability is accepted for incorrect use of product. Spare parts must be fitted by a competent person

WARRANTY: Guarantee is 12 months from purchase date, proof of which will be required for any claim.



Item	Part No.	Description
32	YAJ1530V2.39	Screw Nut (C/w O-Ring)
34	YAJ1530V2.34	Spring Dia 6.5mm
35	YAJ1530V2.35	Steel Ball
36	YAJ1530V2.36	Check Valve
37	YAJ1530V2.37	Silencer Piece
38	YAJ1530V2.38	Clamp
41	YAJ1530V2.41	Spring
42	YAJ1530V2.42	Steel Ball
43	YAJ1530V2.43	Guilde Bushing
44	YAJ1530V2.44	Spacer
45	YAJ1530V2.45	Seal
46	YAJ1530V2.46	Plunger Bushing
47	YAJ1530V2.47	Air Cylinder
48	YAJ1530V2.48	Spring Dia 41mm
49	YAJ1530V2.49	Plunger rod
50	YAJ1530V2.50	Plunger cover
52	YAJ1530V2.52	Piston
53	YAJ1530V2.53	Pk Sealing (Pair)
54	YAJ1530V2.54	Oil Seal

Item	Part No.	Description
55	YAJ1530V2.55	Piston
56	YAJ1530V2.56	Rubber Cap
57	SA59.V3-09	O-Ring, (Ex: 66.78 In: 63.22 Cs: 1.78)
58	YAJ1530V2.58	Elbow
59	YAJ1530V2.59	Screw Nut
60	YAJ1530V2.60	Spring
61	YAJ1530V2.61	Rubber Ball
62	YAJ1530V2.62	Screw
63	YAJ1530V2.63	Screw nut
64	YAJ1530V2.64	Spring
65	SA355.V2-04	O-Ring, (Ex: 10.31 In: 6.75 Cs: 1.78)
66	YAJ1530V2.66	Piston
67	YAJ1530V2.67	Elbow
68	YAJ1530V2.68	Elbow
69	YAJ1530V2.69	Spring
70	YAJ1530V2.70	Rubber Ball
71	YAJ1530V2.71	Elbow
72	YAJ1530V2.72	O-Ring, (Ex: 30.31 In: 25.07 Cs: 2.62)
73	YAJ1530V2.73	Locking Ring

NOTE: It is our policy to continually improve products and as such we reserve the right to alter data, specifications and component parts without prior notice. There may be alternative versions of this product, please contact us should you require this information.

IMPORTANT: No liability is accepted for incorrect use of product. Spare parts must be fitted by a competent person

WARRANTY: Guarantee is 12 months from purchase date, proof of which will be required for any claim.



Parts Information:
Air Operated Jack 15-30tonne Telescopic
Model No: YAJ15-30.V2

Item	Part No.	Description
74	GSA08.09-4	O-Ring, (Ex: 11.21 In: 7.65 Cs: 1.78)
75	YAJ1530V2.75	Locking Ring
76	YAJ1530V2.76	Seal ring (White Plastic)
77	YAJ1530V2.77	Locking Ring
78	YAJ1530V2.78	Steel Ball Bulkhead
79	YAJ1530V2.79	Steel Ball
80	YAJ1530V2.80	Spring
81	YAJ1530V2.81	Oil Drain Valve
82	YAJ1530V2.82	Spring
83	YAJ1530V2.83	Clamp
84	YAJ1530V2.84	T-Piece
85	SA356.25	O-Ring, (Ex: 54.14 In: 48.90 Cs: 2.62)
86	YAJ1530V2.86	End Cover

Item	Part No.	Description
87	YAJ1530V2.87	O-Ring, (Ex: 51.79 In: 44.73 Cs: 3.53)
88	YAJ1530V2.88	Oil Drain Piston
89	YAJ1530V2.89	Oil Drain Bolt
90	YAJ2040DC290	Rubber Seal Washer
91	YAJ2040DC291	Screw Nut
92	YAJ1530V2.92	Locking Ring
93	YAJ1530V2.93	O-Ring
94	YAJ1530V2.94	Steel Ball
95	YAJ1530V2.95	Screw Nut
96	YAJ1530V2.96	Spring
97	YAJ1530V2.97	Locking Ring
98	YAJ1530V2.98	O-Ring
99	YAJ1530V2.99	Air Inlet Base

NOTE: It is our policy to continually improve products and as such we reserve the right to alter data, specifications and component parts without prior notice. There may be alternative versions of this product, please contact us should you require this information.

IMPORTANT: No liability is accepted for incorrect use of product. Spare parts must be fitted by a competent person

WARRANTY: Guarantee is 12 months from purchase date, proof of which will be required for any claim.

Sealey Group, Kempson Way, Suffolk Business Park, Bury St Edmunds, Suffolk. IP32 7AR



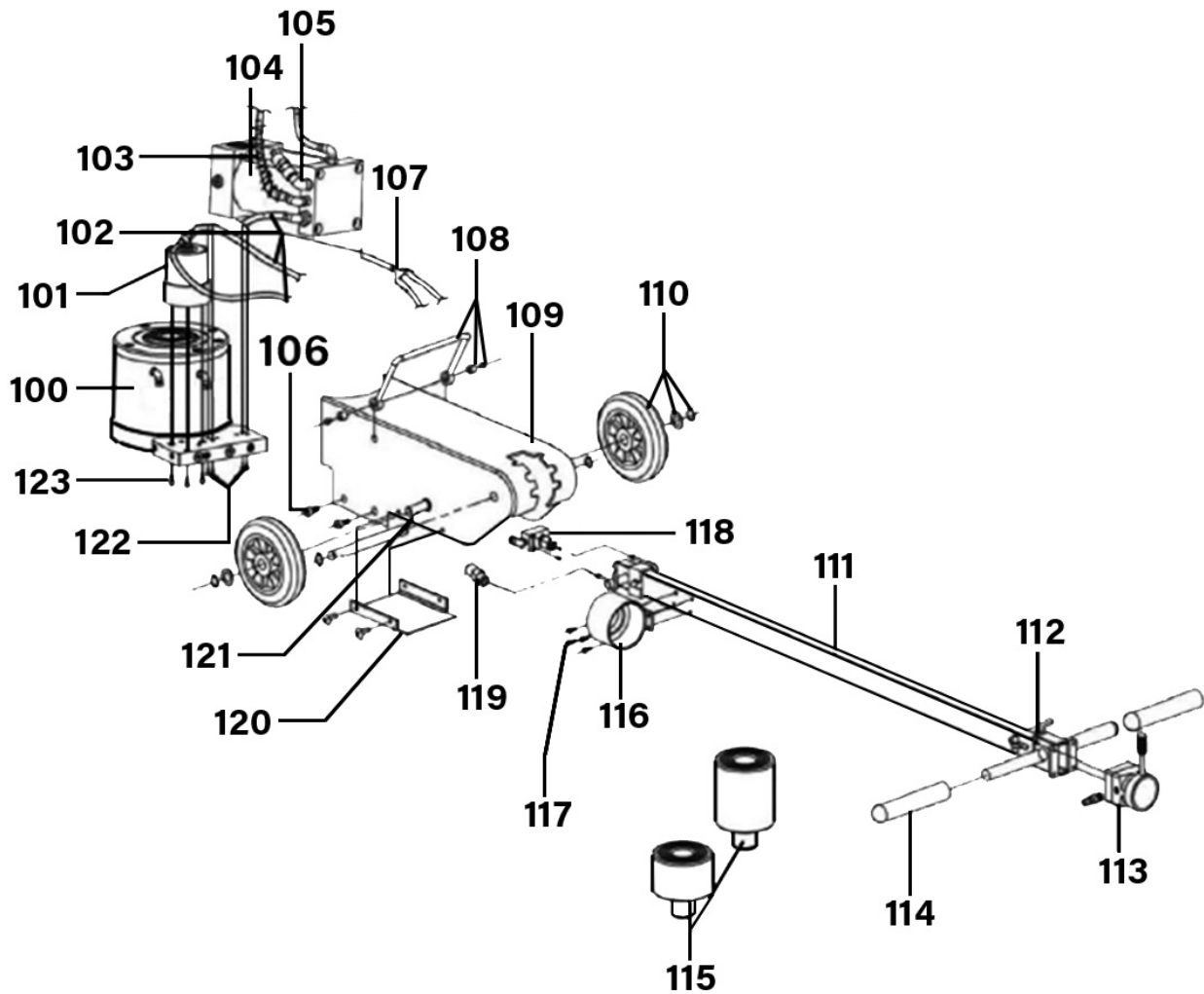
01284 757500



sales@sealey.co.uk



www.sealey.co.uk



Item	Part No.	Description
100	YAJ1530V2.100	Oil cylinder Assembly
101	YAJ1530V2.101	Oil Drain Valve Assembly
102	YAJ2040V2102	Hose
103	YAJ2040DC2121	Spring Dia 8.5mm
104	YAJ1530V2.104	Pump Assembly
105	YAJ2040DC2106	Connector
106	YAJ1530V2.106	Screw
107	YAJ2040DC2122	Connector (y-Shape)
108	YAJ1530V2.108	Handle Set
109	YAJ1530V2.109	Tank
110	YAJ2040DC2102	Wheel, Fixed (D:160 W:45 B:20)
111	YAJ1530V2.111	Handle

Item	Part No.	Description
112	YAJ1530V2.112	Screw
113	YAJ1530V2.113	Air Switch (Up/Down) Lever Action
114	YAJ1530V2.114	Handle Grip
115	YAJ20-40DC.99	Adaptors (45mm & 75mm)
116	YAJ1530V2.116	Adaptor Tray
117	BHSS512.SB	Button Head Socket Screw M5 X 12 Black
118	YAJ1530V2.118	Connector, 90 degree
119	YAJ2040V2119	Connector (Pair)
120	YAJ1530V2.120	Metal Plate
121	YAJ1530V2.121	Wheel Axle: Solid, C/w Circlips (L:60mm D:20mm)
122	YAJ1530V2.122	Screws
123	YAJ1530V2.123	Screws

NOTE: It is our policy to continually improve products and as such we reserve the right to alter data, specifications and component parts without prior notice. There may be alternative versions of this product, please contact us should you require this information.

IMPORTANT: No liability is accepted for incorrect use of product. Spare parts must be fitted by a competent person

WARRANTY: Guarantee is 12 months from purchase date, proof of which will be required for any claim.